

# United States Patent [19]

Hradisky

[11] Patent Number: **Des. 307,800**

[45] Date of Patent: **\*\* May 8, 1990**

[54] **STEP STOOL**

[75] Inventor: **John L. Hradisky, Parma, Ohio**

[73] Assignee: **Rubbermaid Incorporated, Wooster, Ohio**

[\*\*] Term: **14 Years**

[21] Appl. No.: **288,155**

[22] Filed: **Dec. 22, 1988**

[52] U.S. Cl. .... **D25/65; D6/350**

[58] Field of Search ..... **D25/62, 65; 182/33, 182/15; 248/405; D6/349, 350, 353**

[56] **References Cited**

### U.S. PATENT DOCUMENTS

D. 194,399 1/1963 Muth et al. .... **D25/65**  
D. 198,679 7/1964 Cartner ..... **D25/65**

D. 271,256 11/1983 McClelland ..... **D6/349**  
3,743,051 7/1973 Cramer ..... **182/33**

*Primary Examiner*—A. Hugo Word  
*Assistant Examiner*—Doris Clark  
*Attorney, Agent, or Firm*—Richard B. O'Planick

[57] **CLAIM**

The ornamental design for a step stool, as shown and described.

### DESCRIPTION

FIG. 1 is a front perspective view of a step stool embodying my new design.

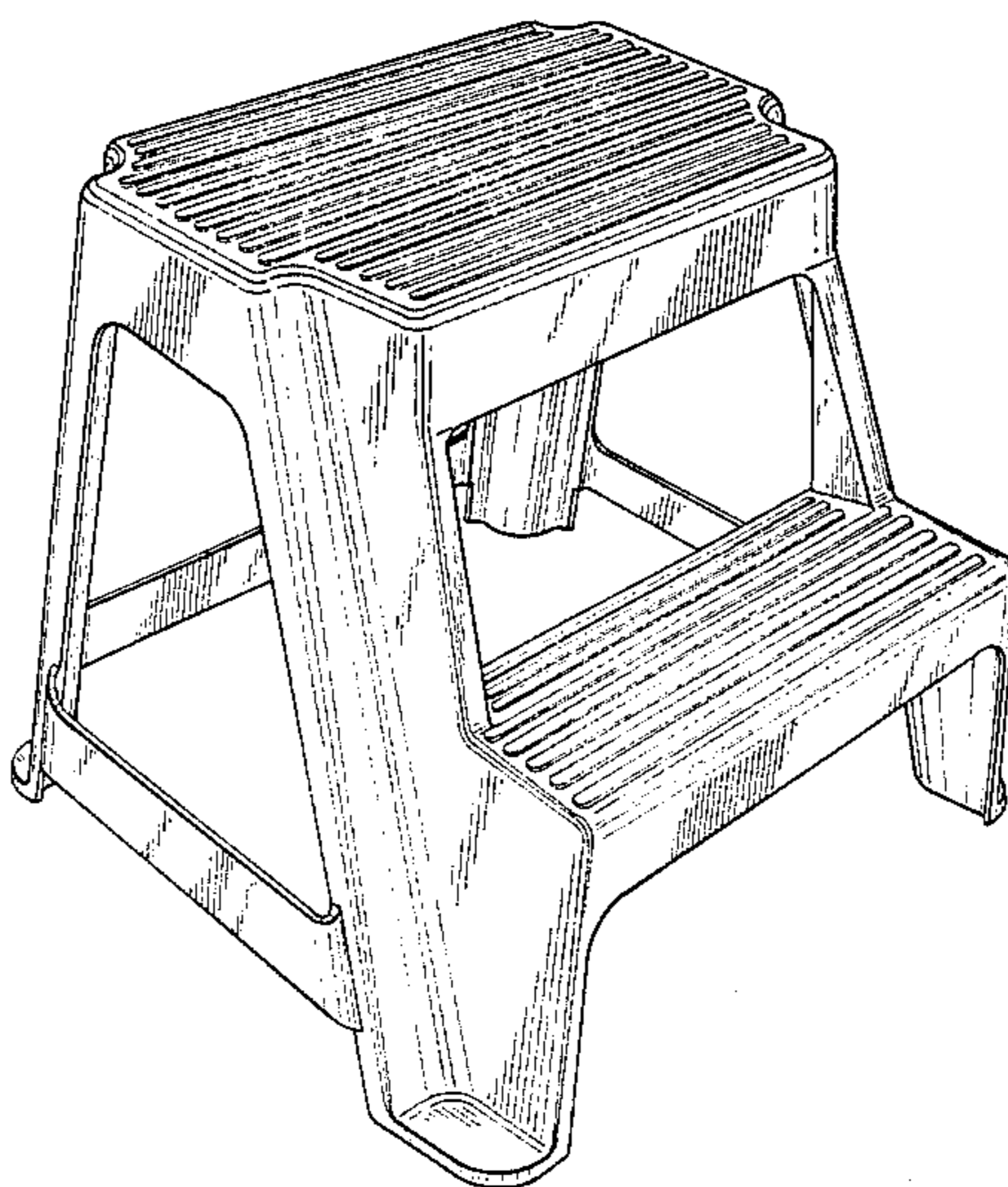
FIG. 2 is a bottom plan view thereof.

FIG. 3 is a top plan view thereof.

FIG. 4 is a rear elevational view thereof.

FIG. 5 is a front elevational view thereof.

FIG. 6 is a right side elevational view thereof; the opposite side being a mirror image.



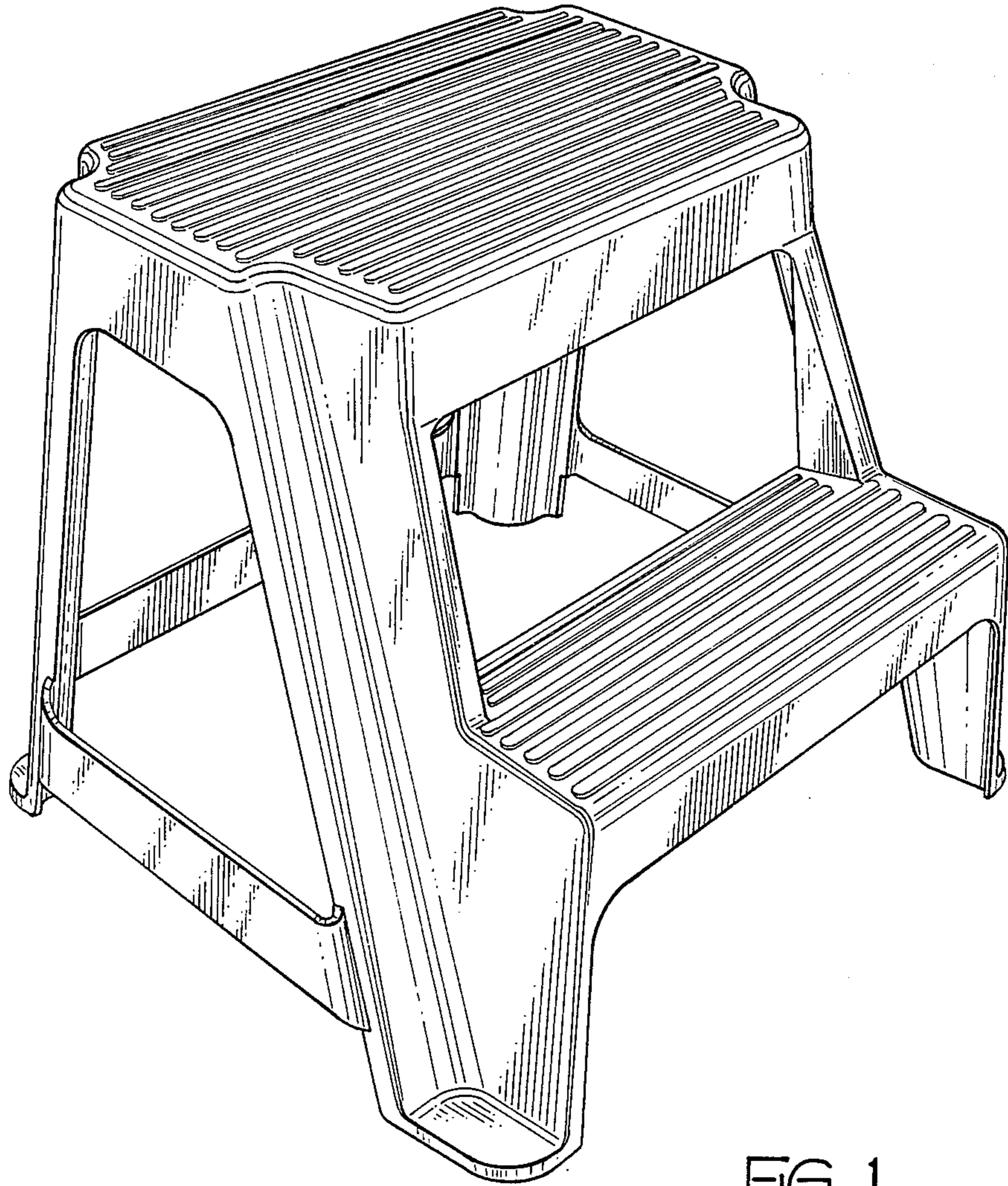


FIG. 1

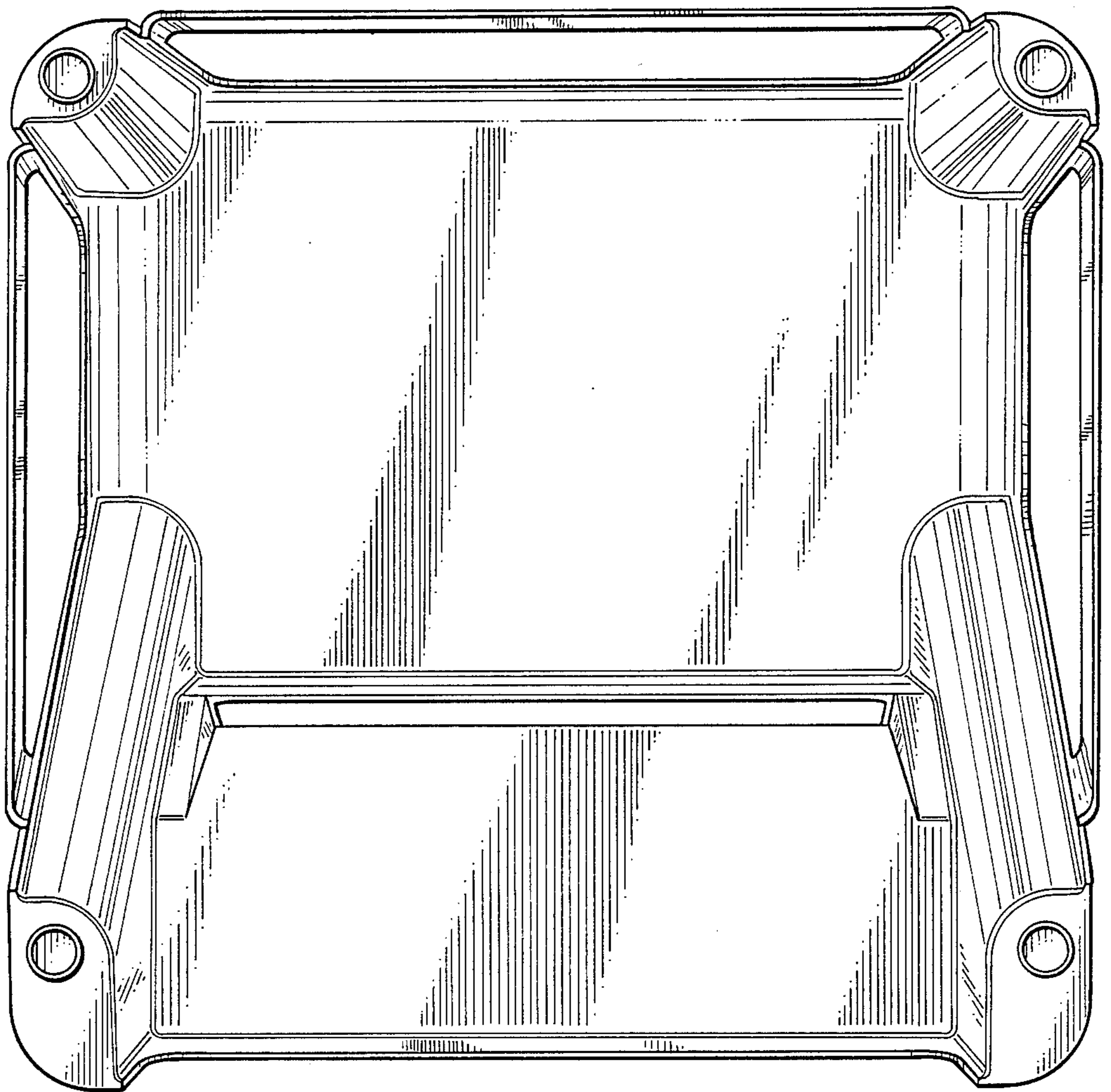


FIG. 2

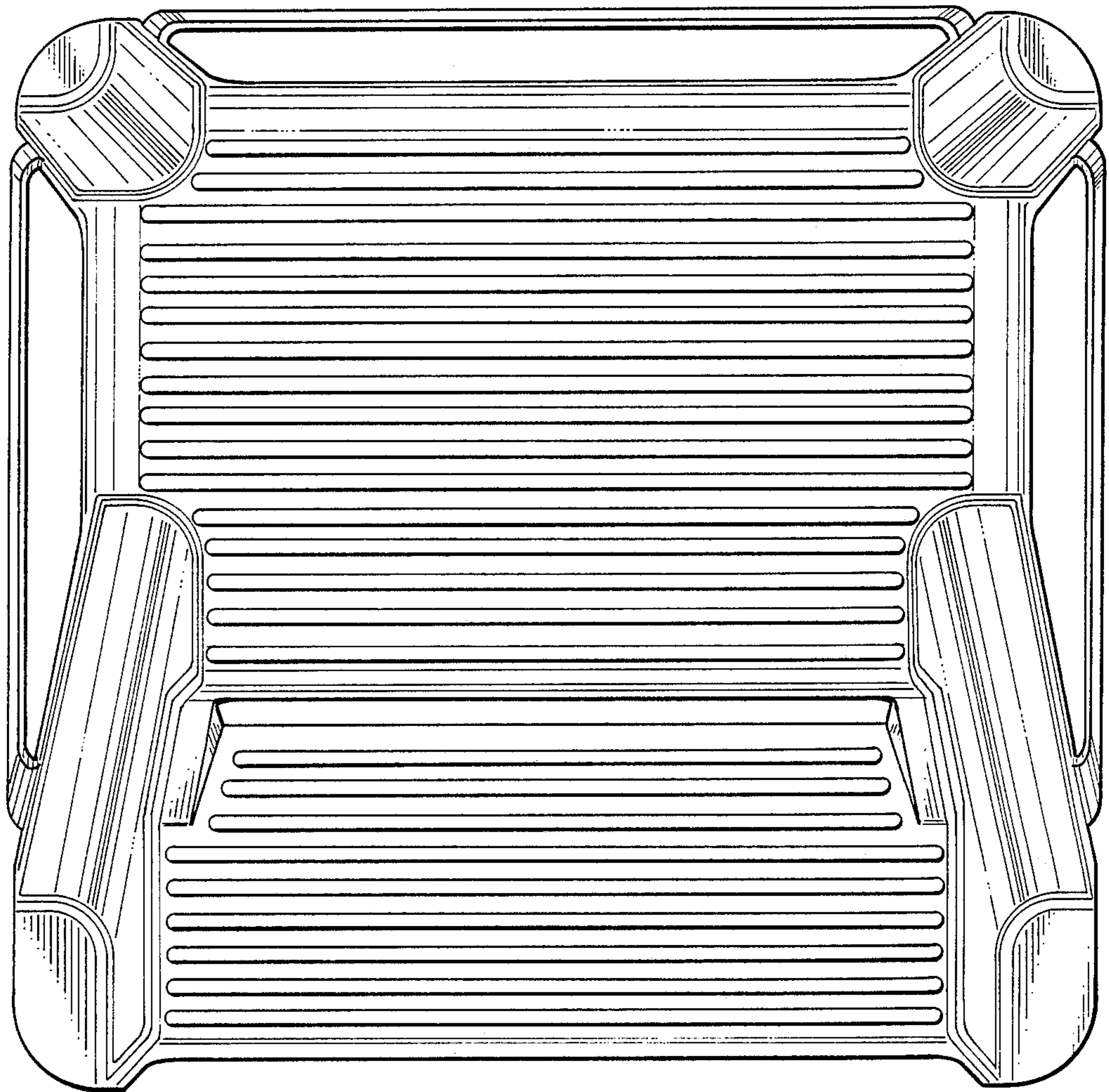


FIG. 3

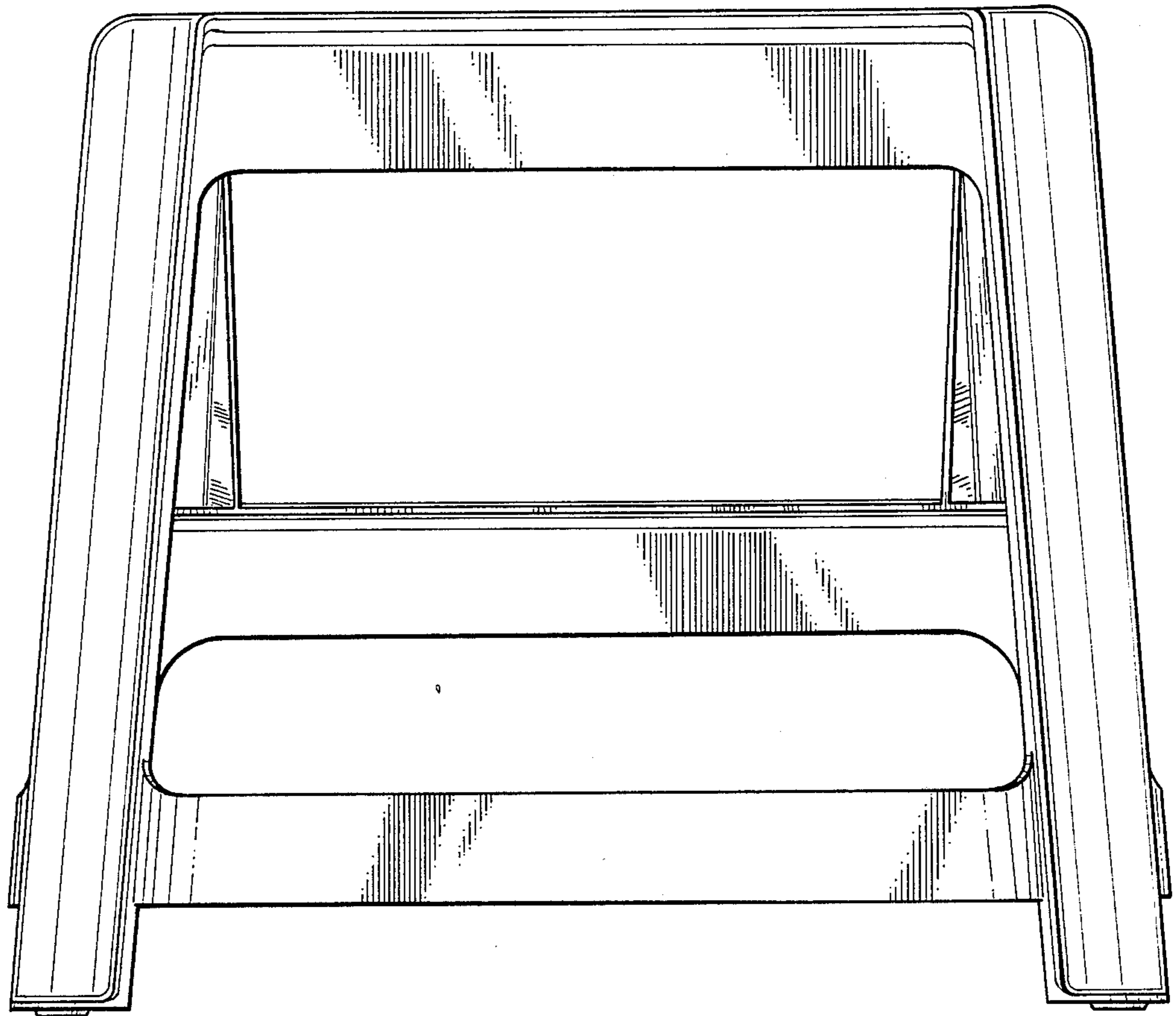


FIG. 4

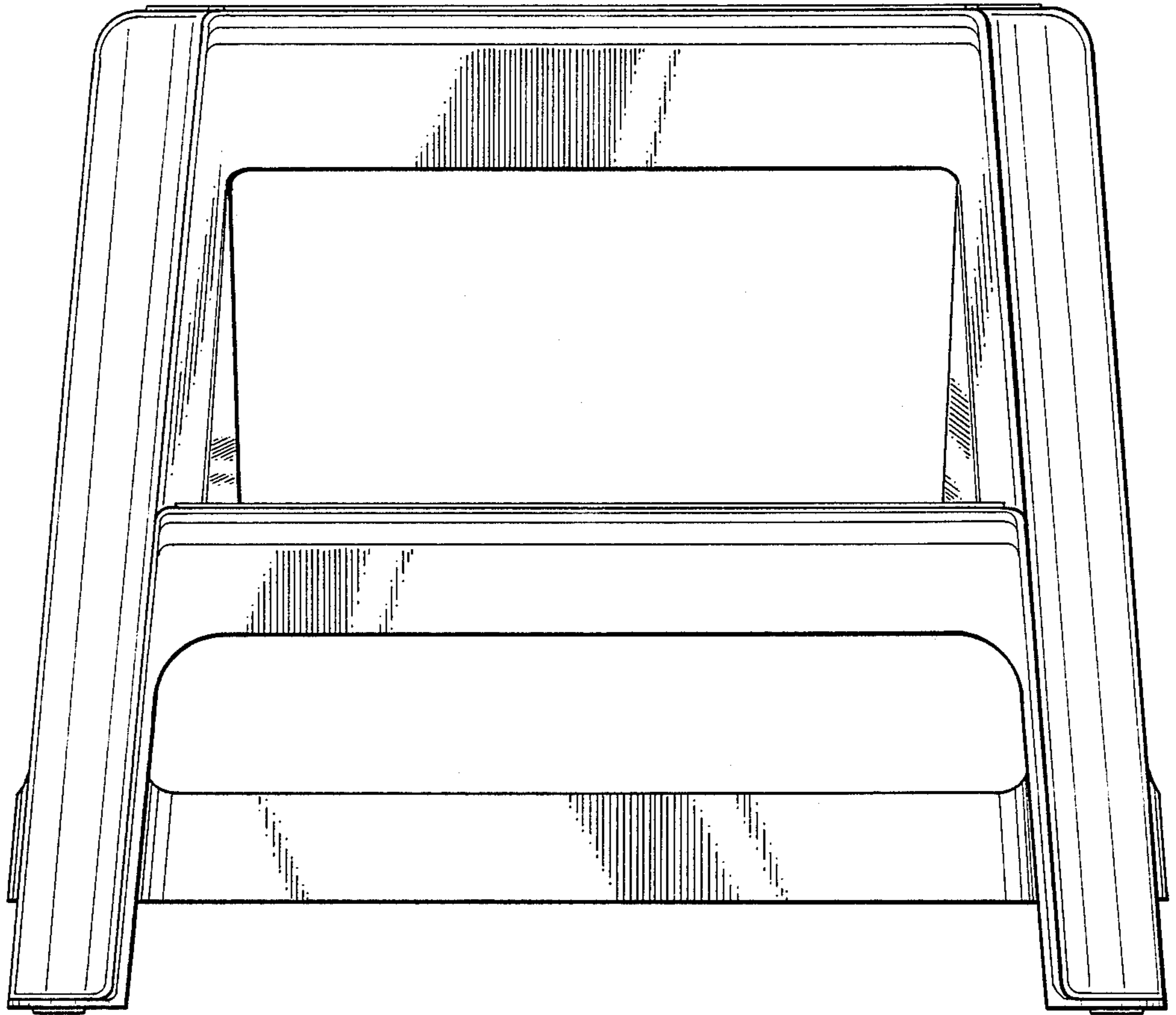


FIG. 5

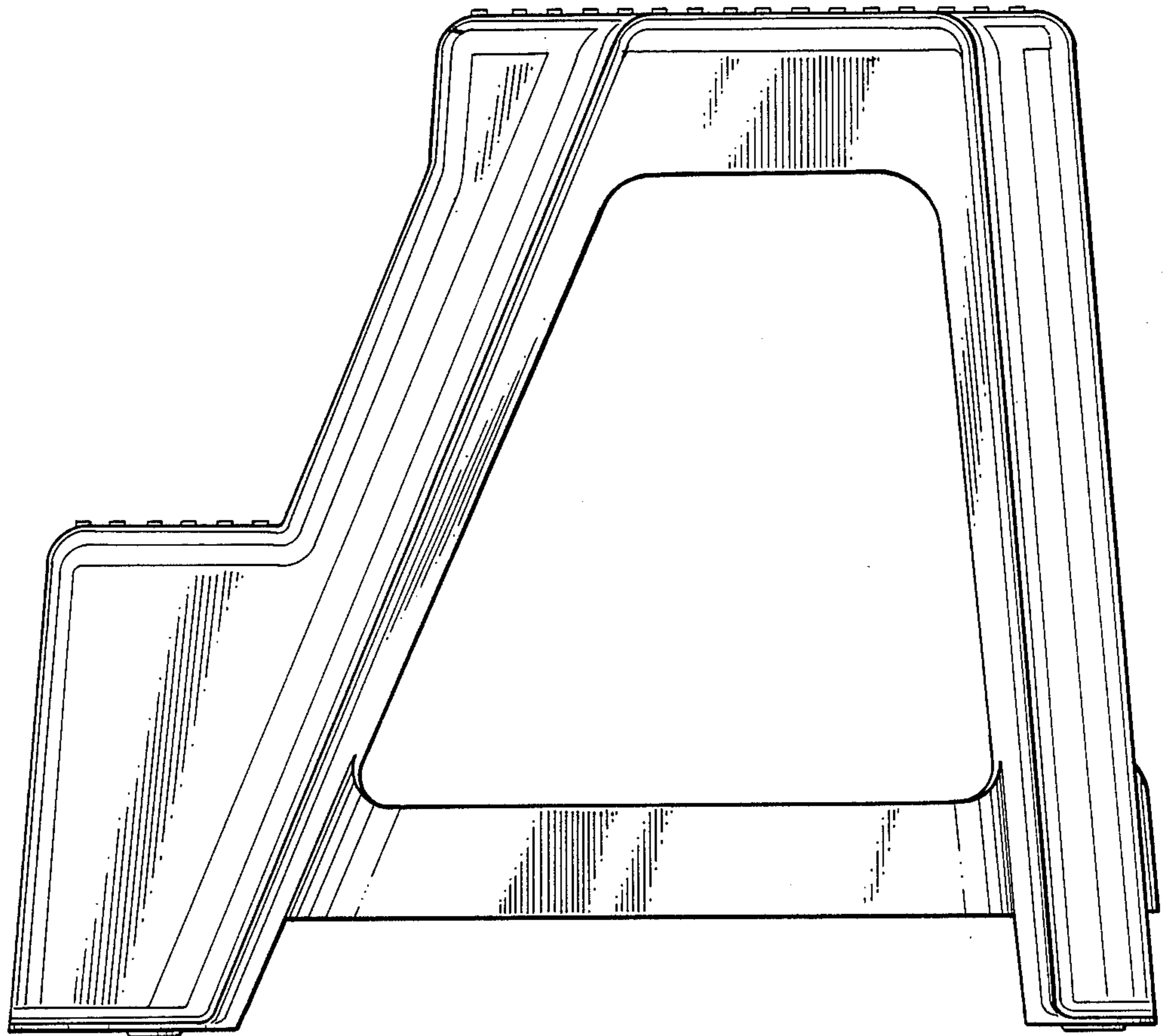


FIG. 6