

[54] HUMIDIFYING CHAMBER

4,657,713 4/1987 Miller 261/154 X
4,753,758 6/1988 Miller 261/142 X

[76] Inventor: Adrian J. Elsworth, Mt. Wellington
Highway, Mt. Wellington,
Auckland, New Zealand

Primary Examiner—A. Hugo Word
Assistant Examiner—Stella M. Reid
Attorney, Agent, or Firm—Fleit, Jacobson, Cohn, Price,
Holman & Stern

[**] Term: 14 Years

[21] Appl. No.: 53,944

[57] CLAIM

[22] Filed: May 26, 1987

The ornamental design for a humidifying chamber, as
shown and described.

[30] Foreign Application Priority Data

Nov. 25, 1986 [NZ] New Zealand 20872

[52] U.S. Cl. D24/34

[58] Field of Search D24/8, 34, 62; 261/154,
261/130, 142, DIG. 65; 219/275

DESCRIPTION

FIG. 1 is a perspective view of a humidifying chamber,
showing my new design;
FIG. 2 is a top plan view thereof;
FIG. 3 is a left side elevational view thereof;
FIG. 4 is a right side elevational view thereof;
FIG. 5 is a front elevational view thereof;
FIG. 6 is a rear elevational view thereof;
FIG. 7 is a bottom plan view thereof; and
FIG. 8 is a cross-sectional view taken along line 8—8 of
FIG. 2.

[56] References Cited

U.S. PATENT DOCUMENTS

3,420,509 1/1969 Katzman et al. 261/142
3,806,102 4/1974 Valenta et al. 261/142
3,982,095 9/1976 Robinson 261/142 X

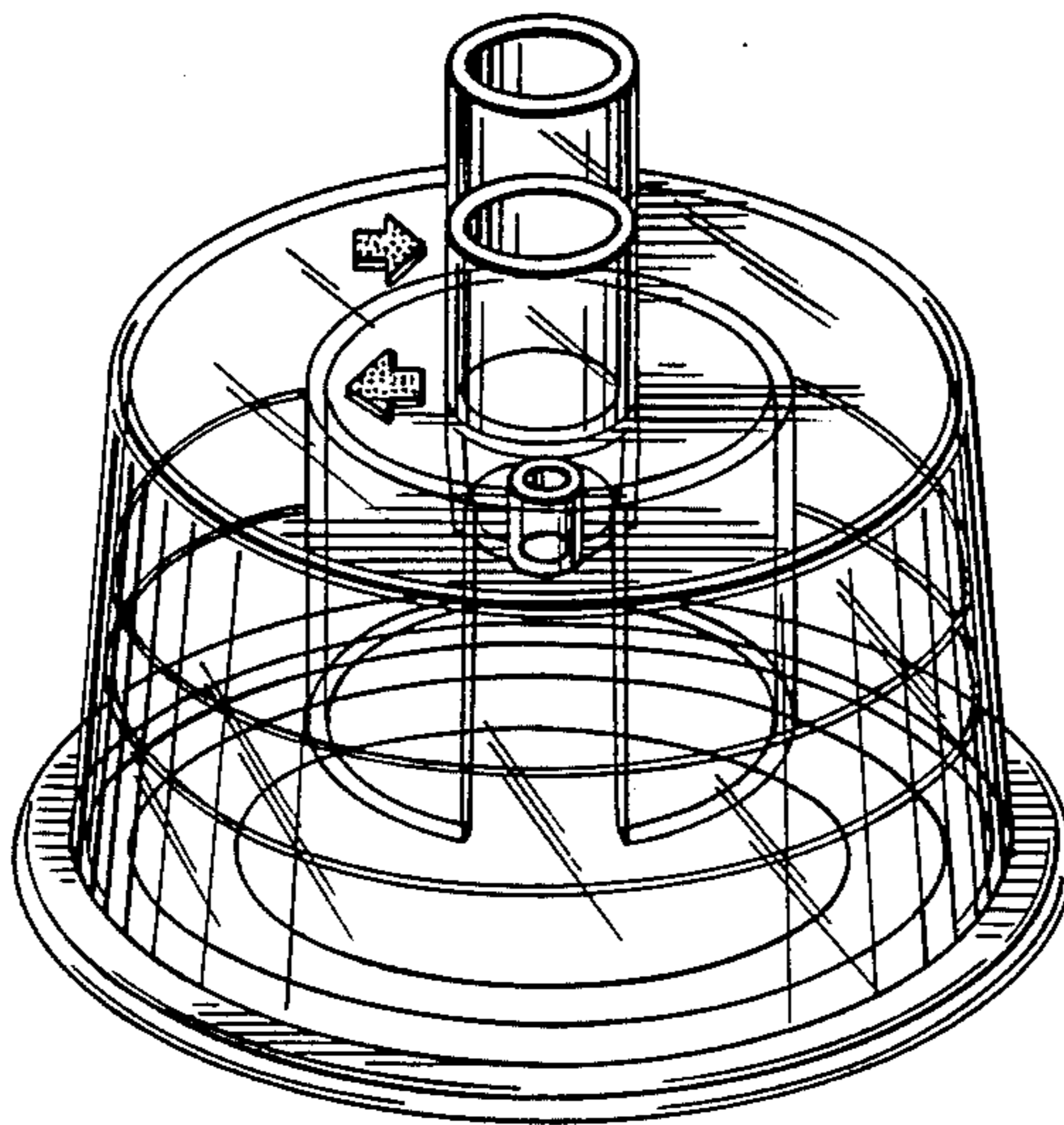


FIG. 1

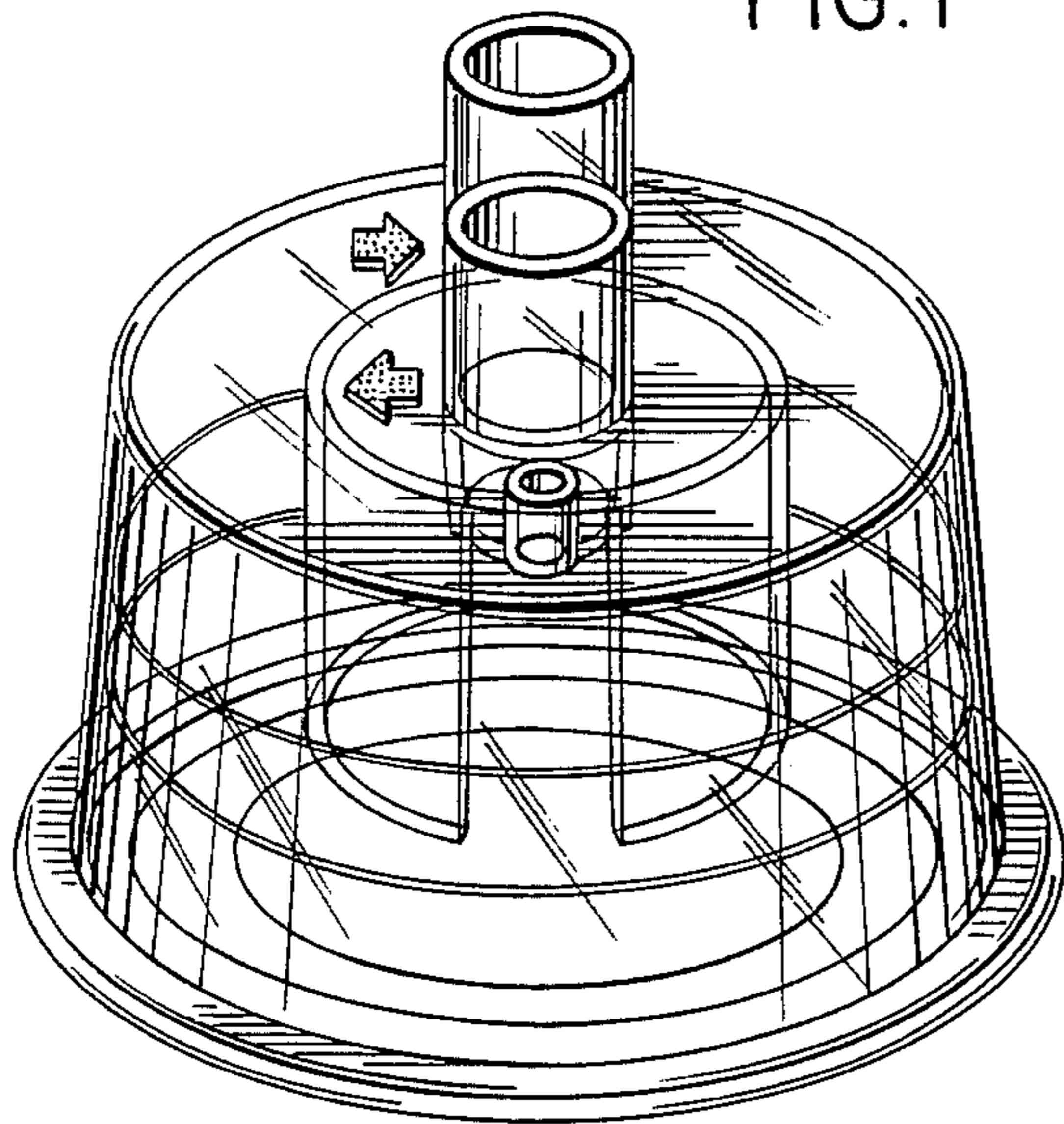


FIG. 2

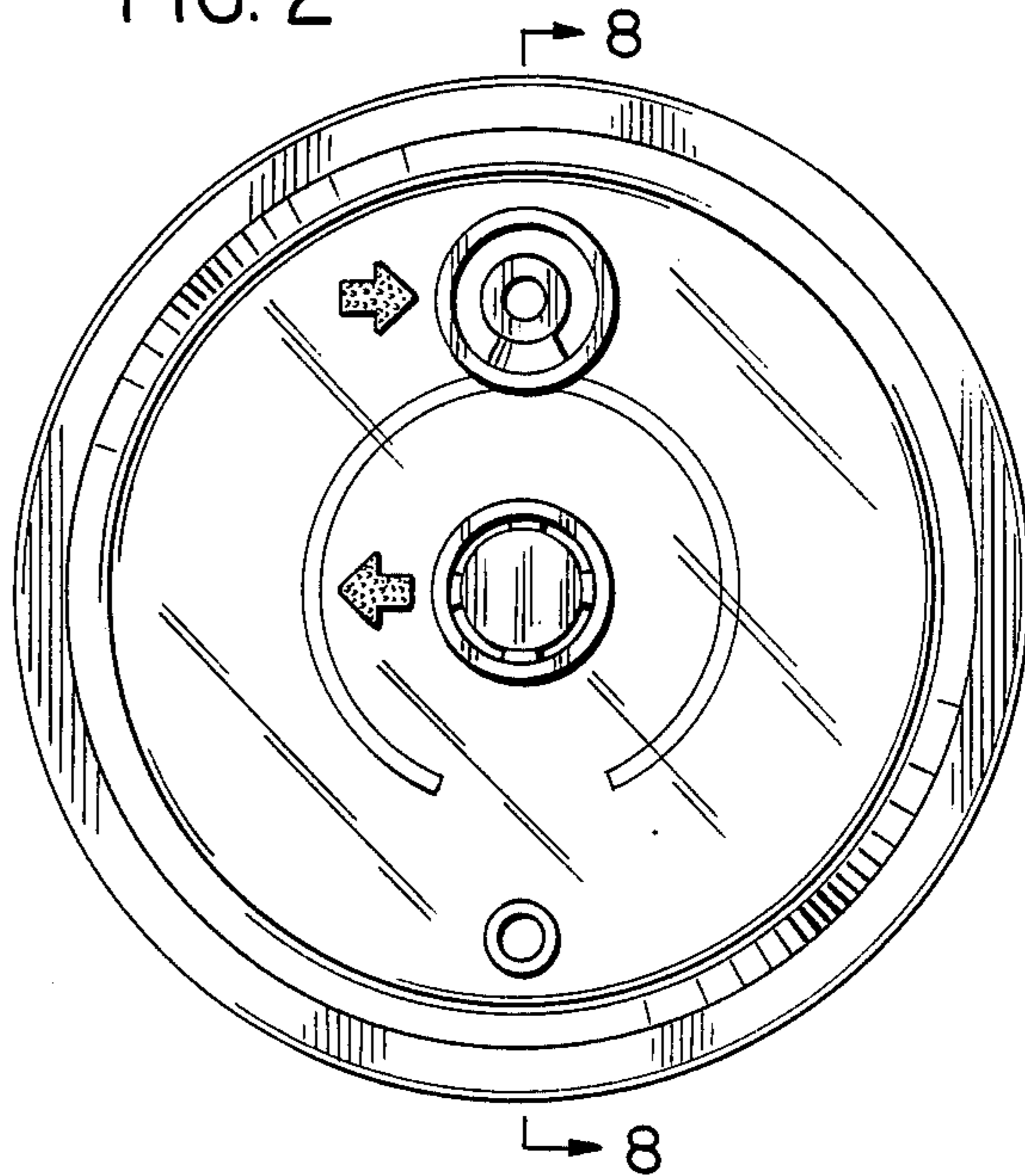


FIG. 3

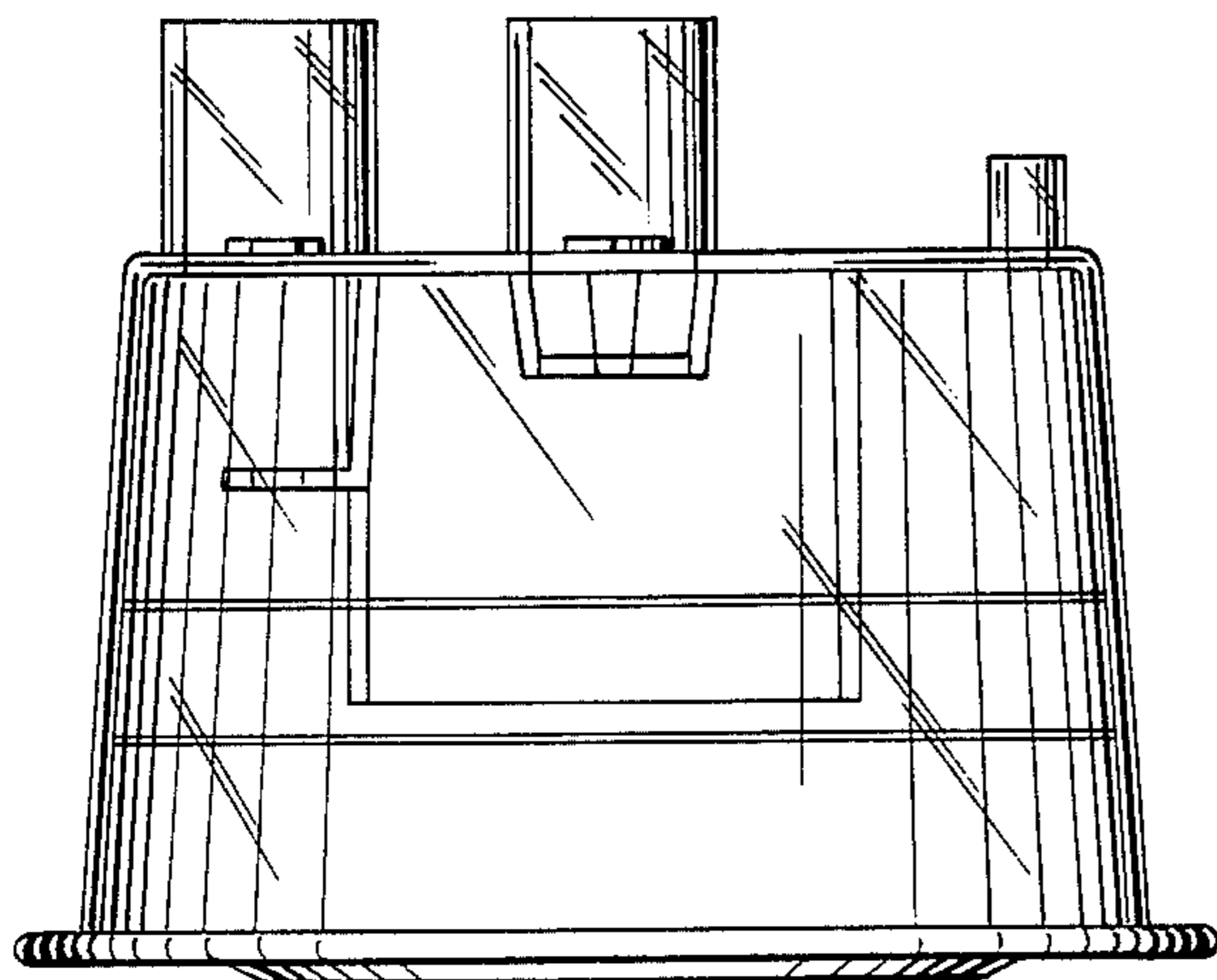


FIG. 4

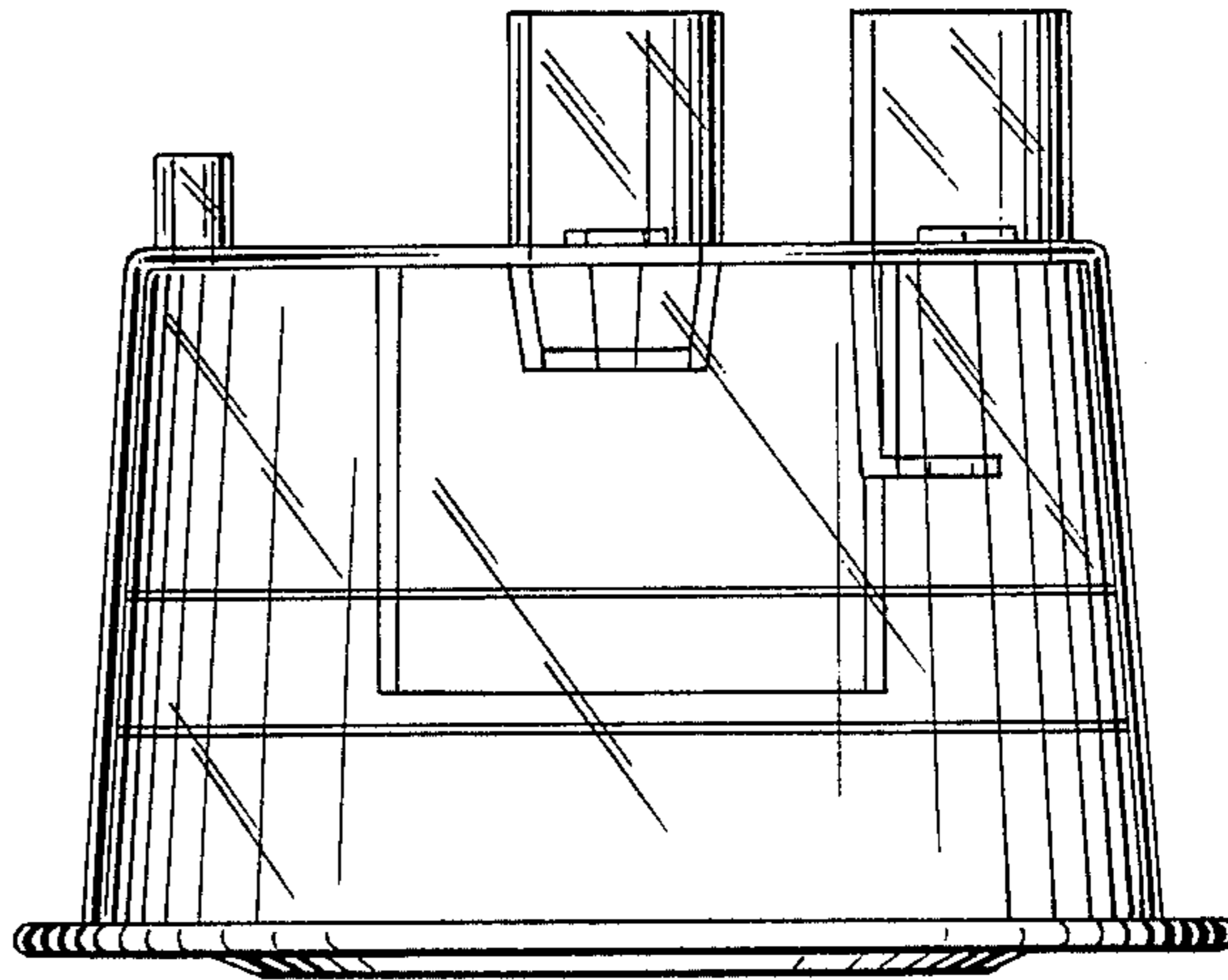
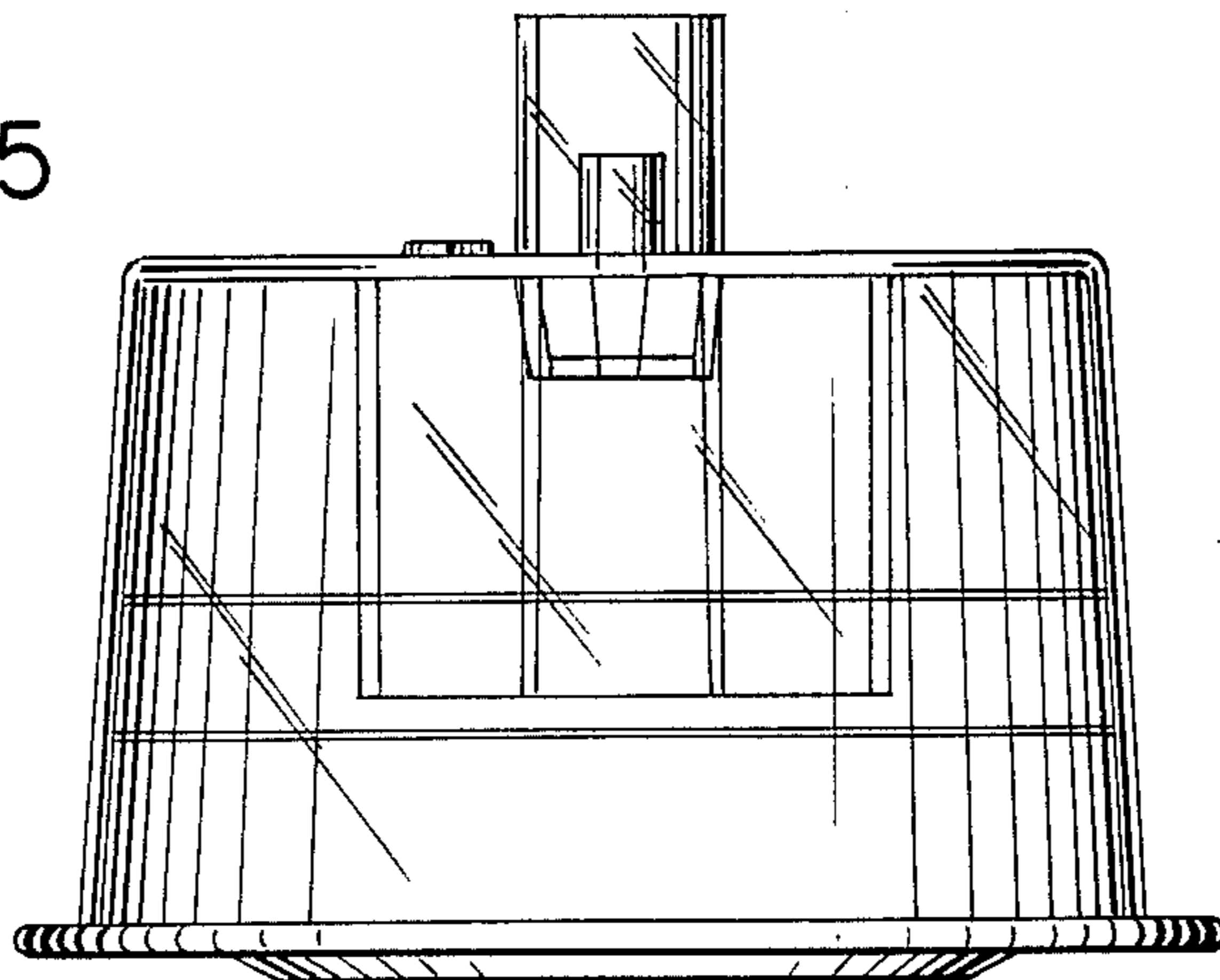


FIG. 5



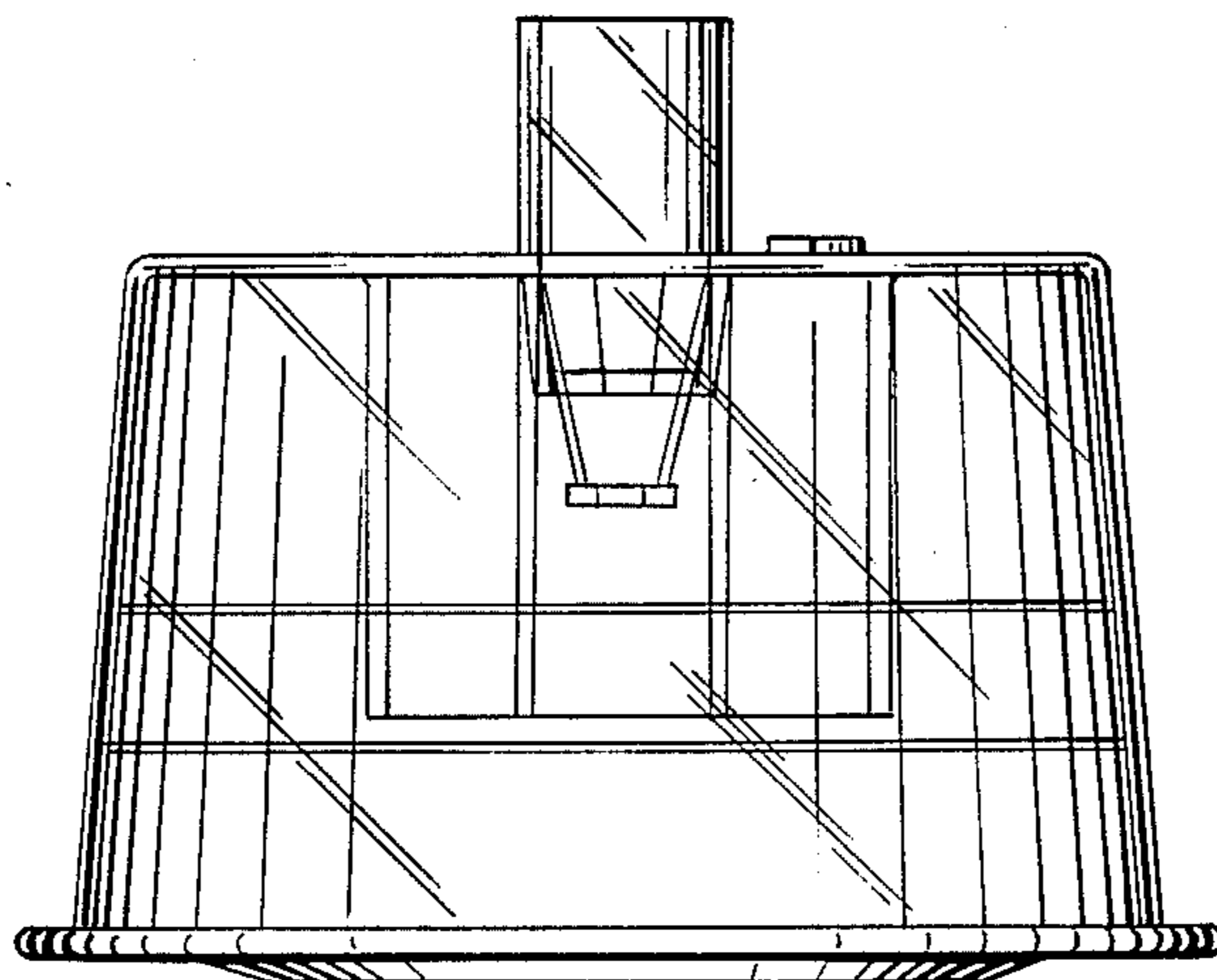


FIG. 6

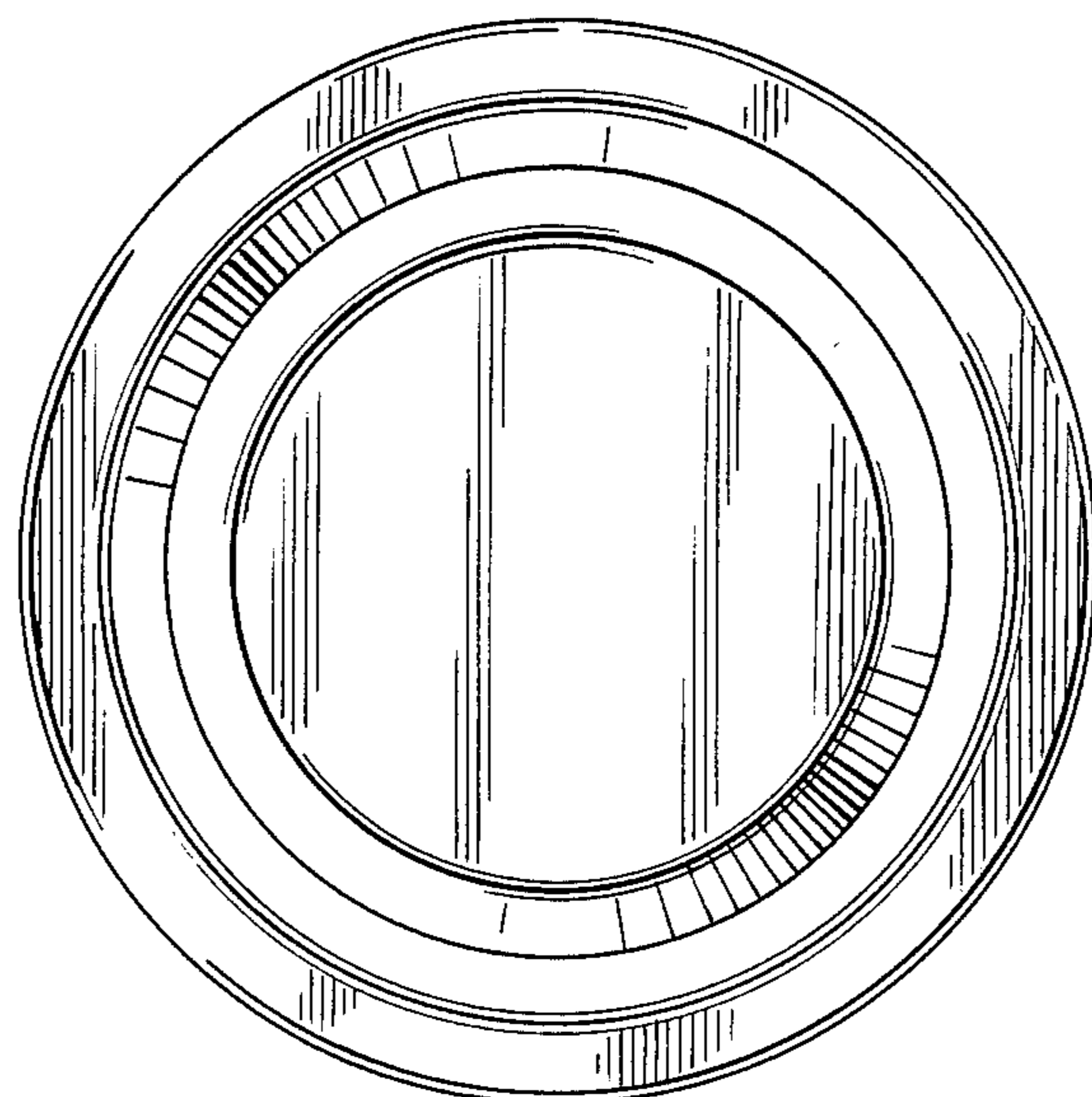


FIG. 7

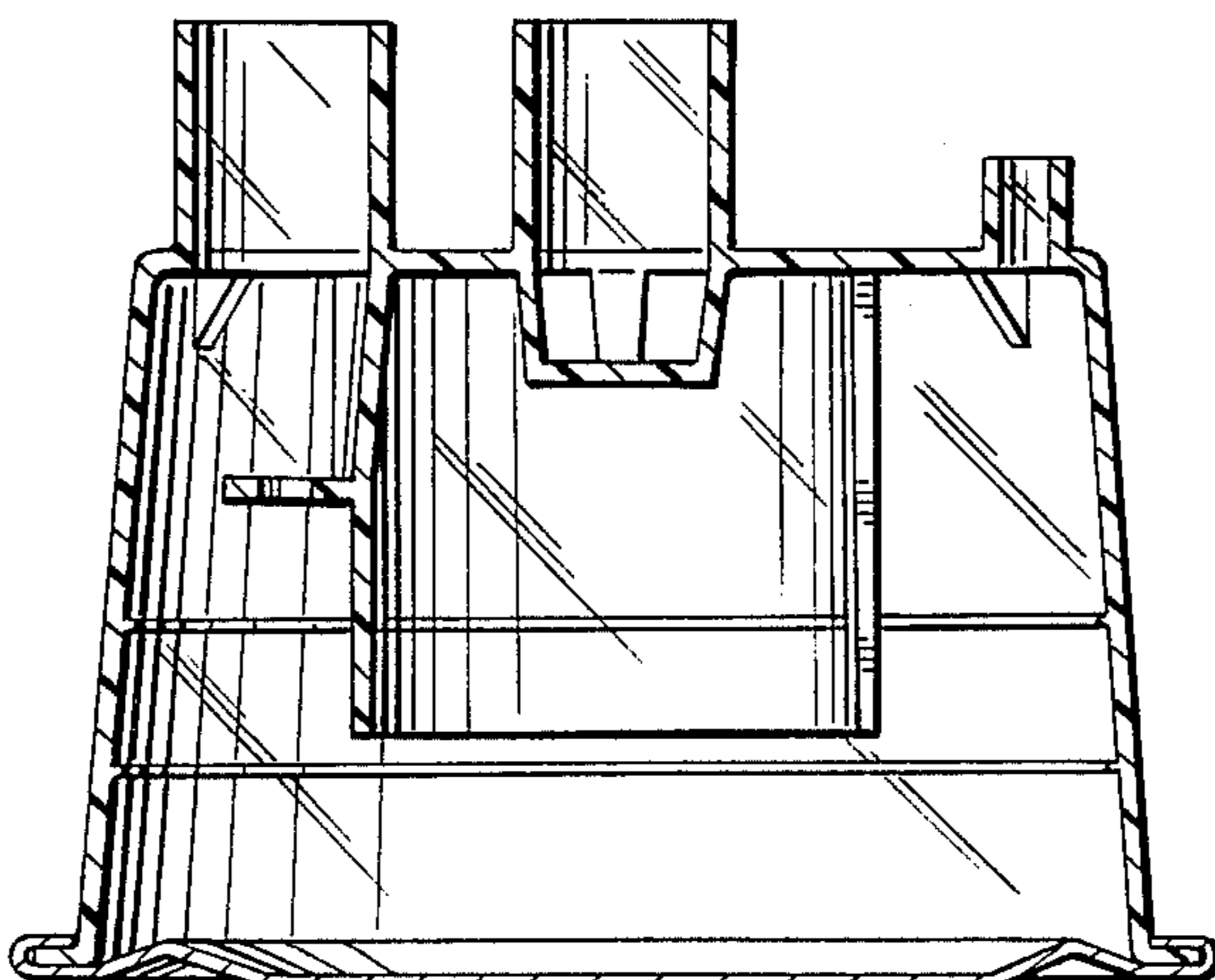


FIG. 8