

[54] COMBINED DISPOSABLE MEDICAL PUMP CASSETTE AND CONNECTORS FOR ENTERAL FLUID DELIVERY PUMP SYSTEMS

[75] Inventor: Mark G. Frantz, New York, N.Y.

[73] Assignee: Frantz Medical Development Ltd., New York, N.Y.

[\*\*] Term: 14 Years

[21] Appl. No.: 63,273

[22] Filed: Jun. 16, 1987

[52] U.S. Cl. .... D24/17

[58] Field of Search ..... D24/8, 17; 604/123, 604/152, 65, 67, 245, 246, 253; 417/63, 412, 413, 471-473, 477, 259, 566; 128/DIG. 1, DIG. 12

[56] References Cited

U.S. PATENT DOCUMENTS

- D. 275,989 10/1984 Robinson ..... D24/8
- 4,537,561 8/1985 Xanthopoulos ..... 128/DIG. 12 X
- 4,605,396 8/1986 Tseo et al. .... 604/152 X

OTHER PUBLICATIONS

Life Care-Electronic Flow Control Systems Catalog--Life Care Micro Pump System, p. 15.

Primary Examiner—A. Hugo Word

Assistant Examiner—Stella Reid

Attorney, Agent, or Firm—Frishauf, Holtz, Goodman & Woodward

[57] CLAIM

The ornamental design for a combined disposable medical pump cassette and connectors for enteral fluid delivery pump systems, as shown and described.

DESCRIPTION

FIG. 1 is a left side elevational view of a disposable medical pump cassette enteral fluid delivery pump systems, showing my new design;

FIG. 2 is a right side elevational view thereof;

FIG. 3 is a top plan view thereof;

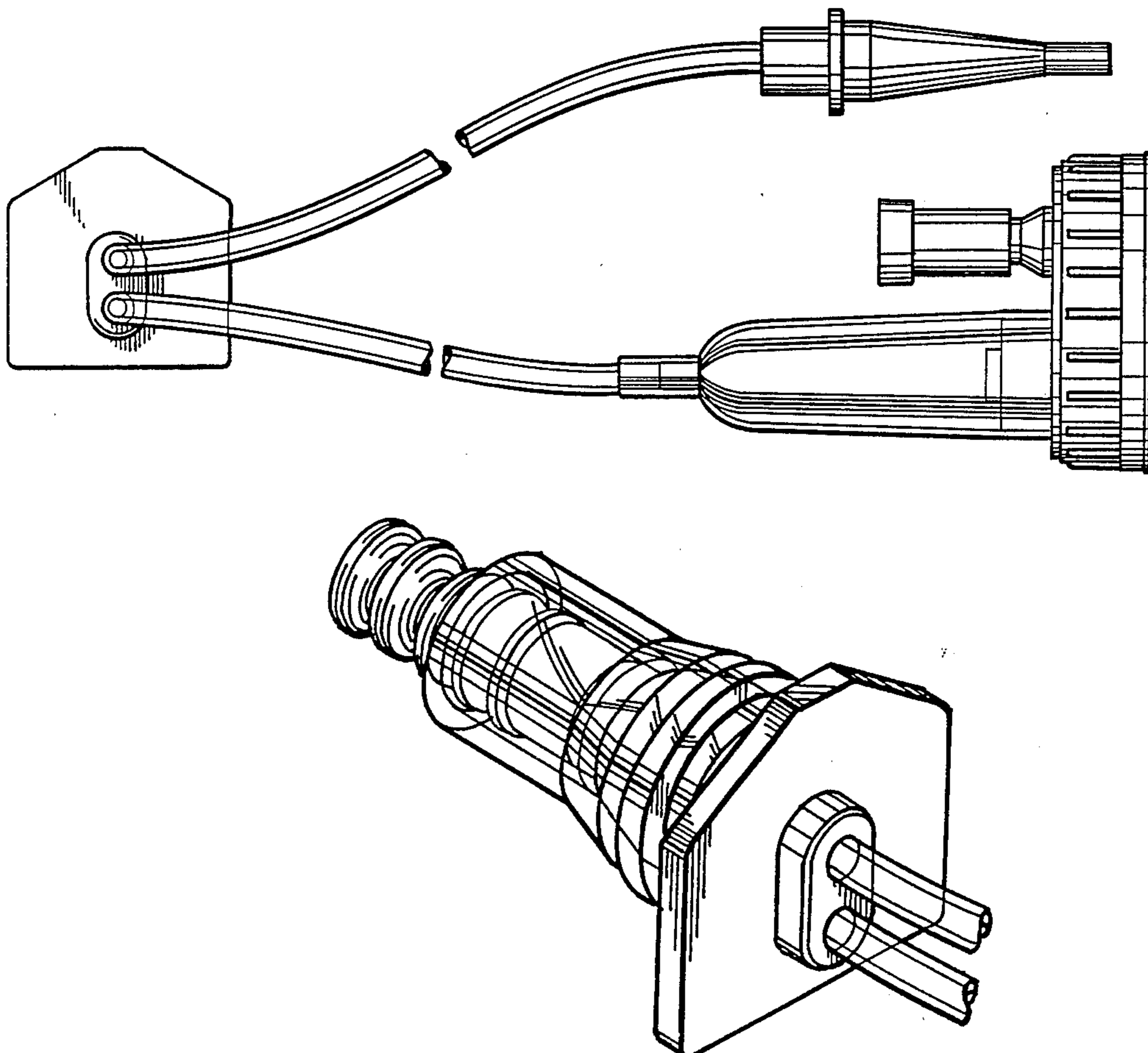
FIG. 4 is a bottom plan view thereof;

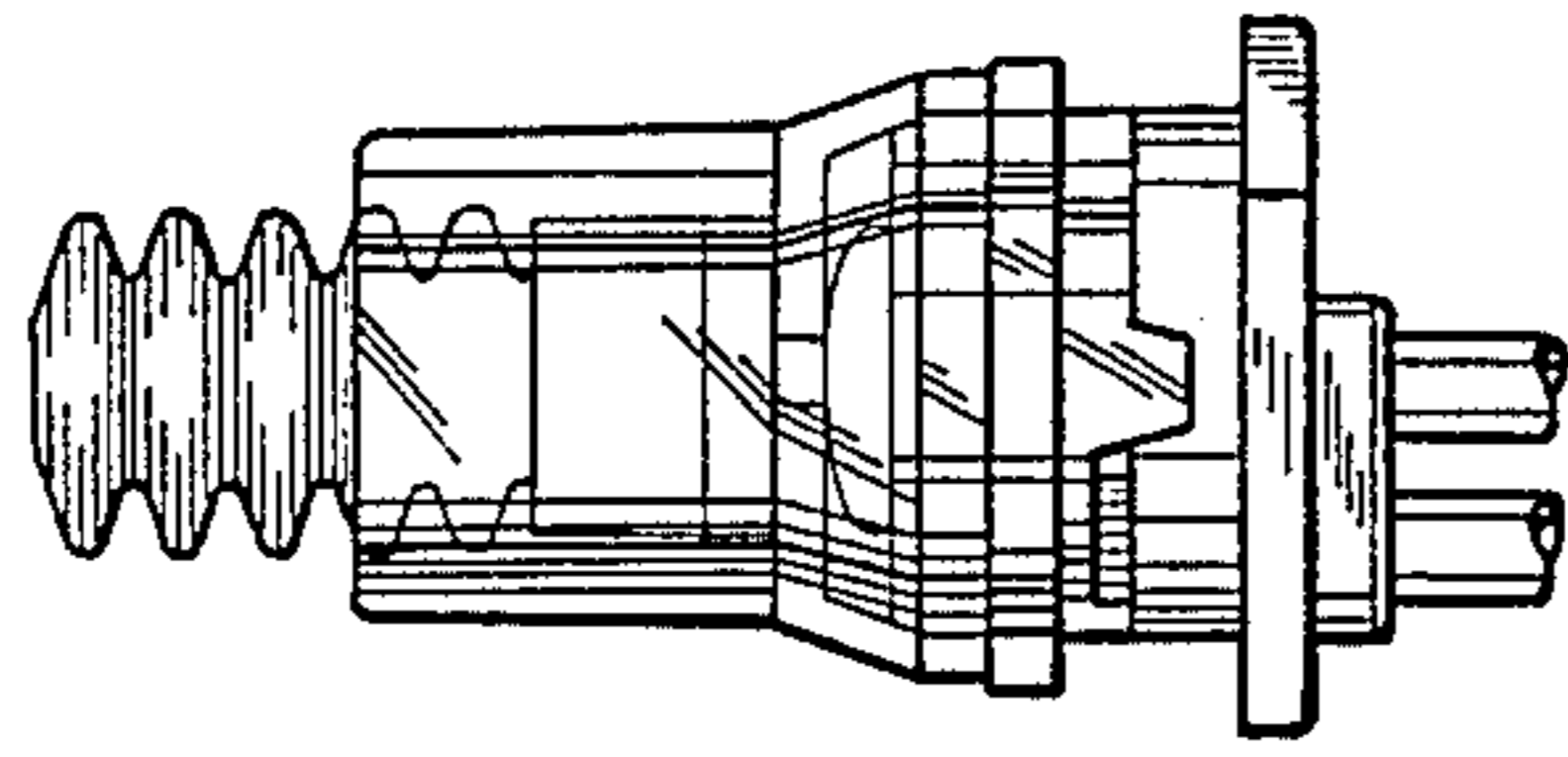
FIG. 5 is a front elevational view of the connectors;

FIG. 6 is a front elevational view, thereof, showing the interior away for ease of illustration;

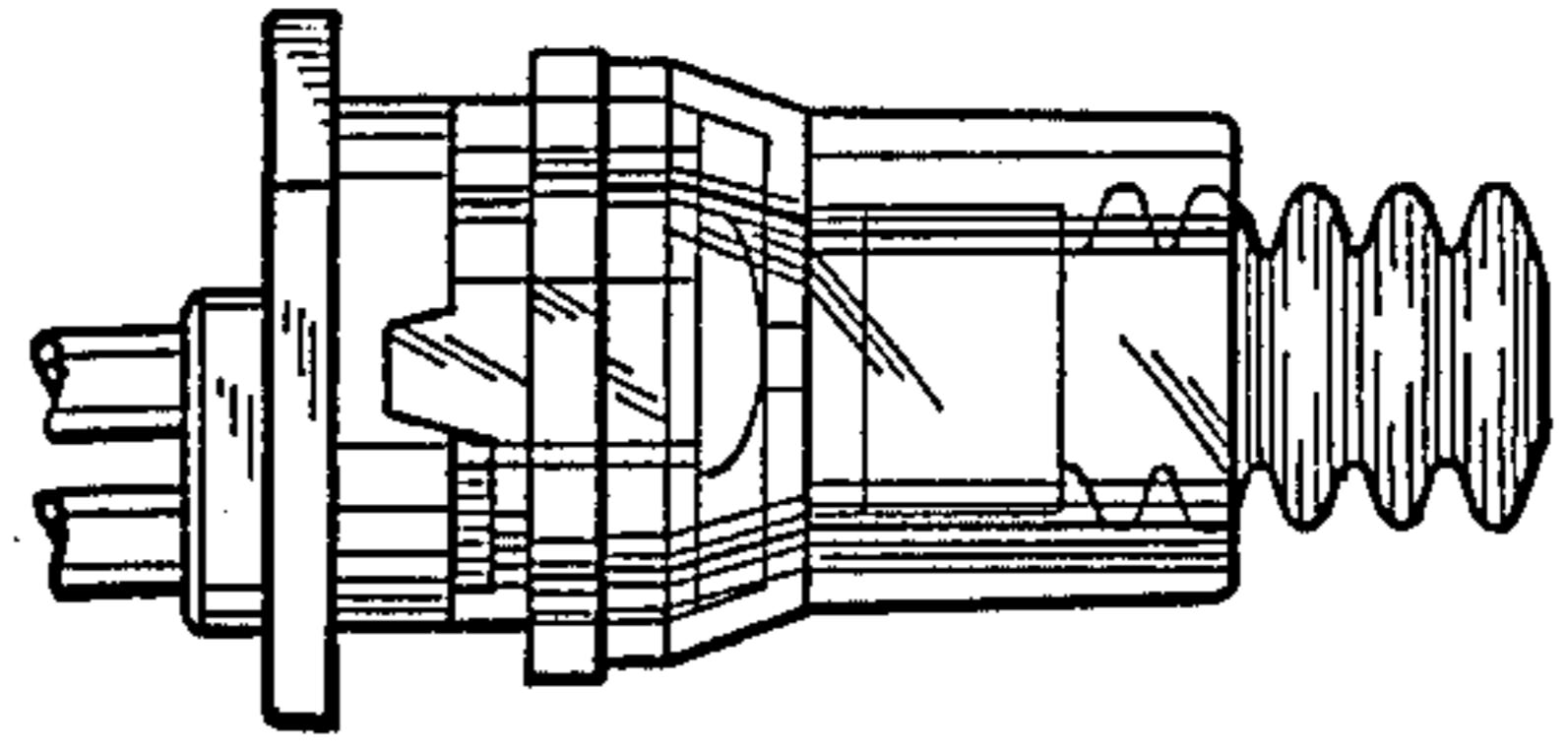
FIG. 7 is a rear elevational view of the left end portion of the connector, with the tubes broken away for ease of illustration;

FIG. 8 is a left front perspective view of the disposable medical pump cassette.

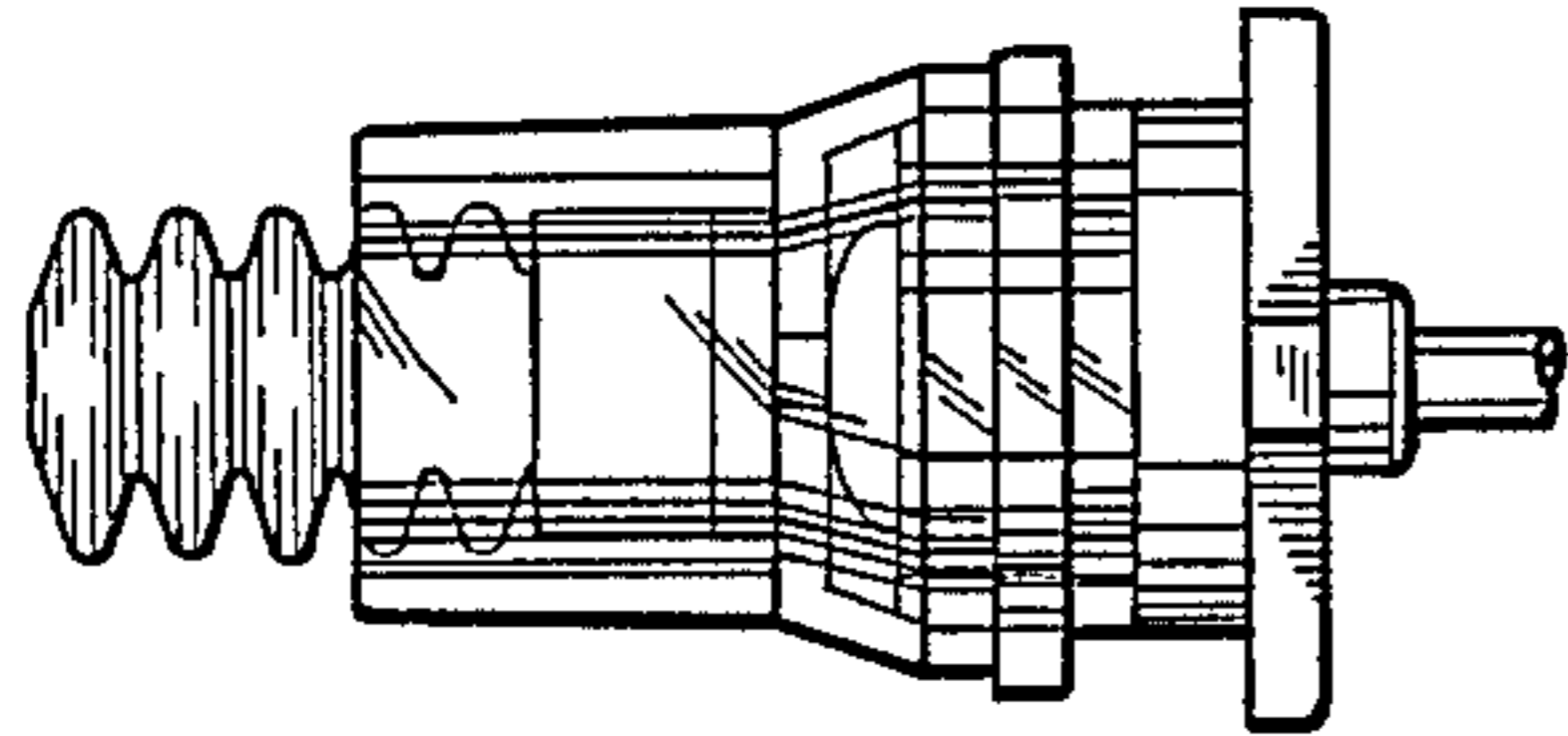




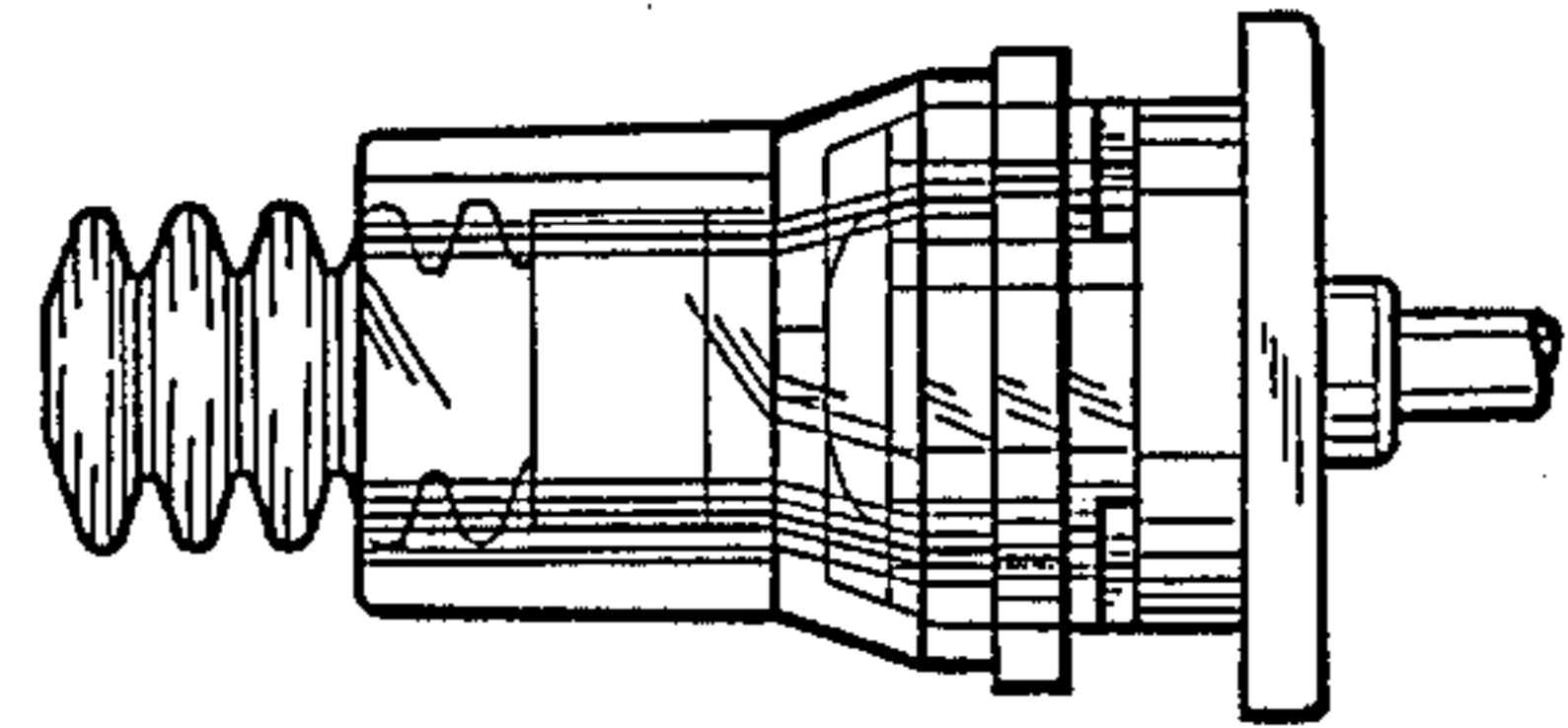
*Fig. 1*



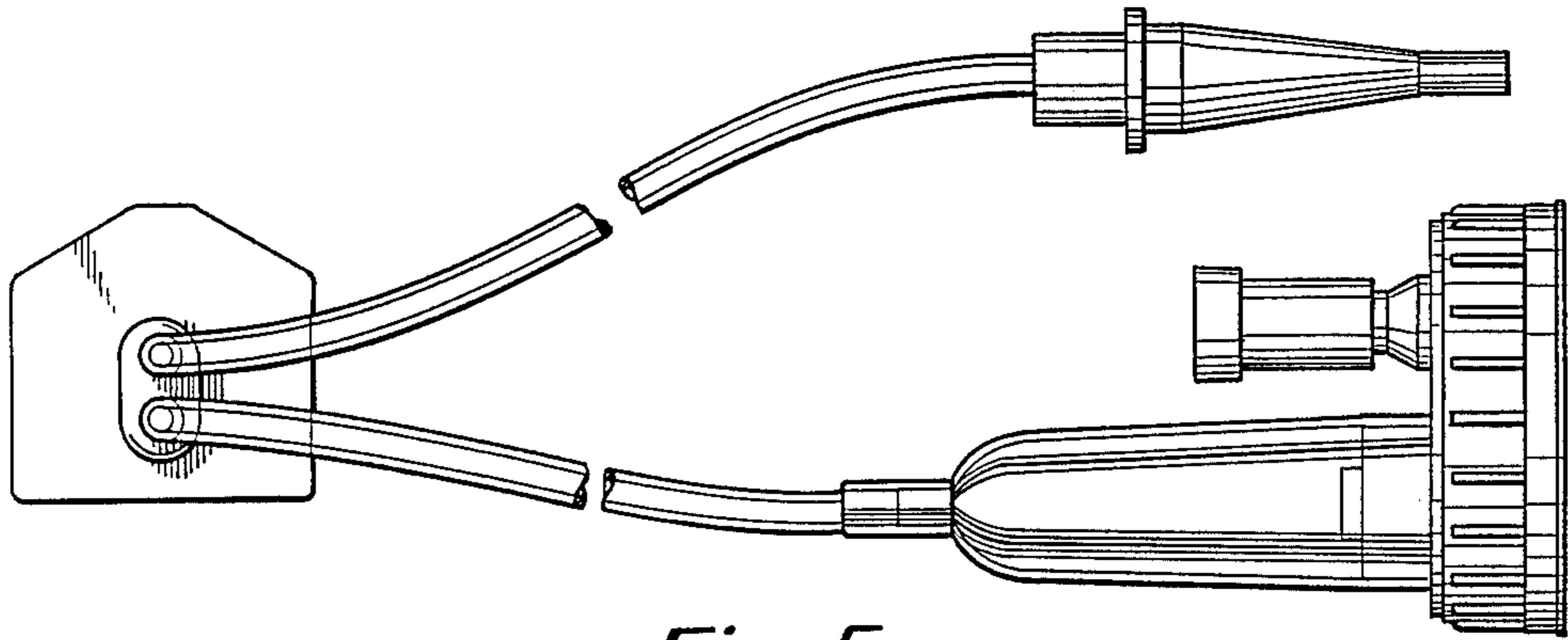
*Fig. 2*



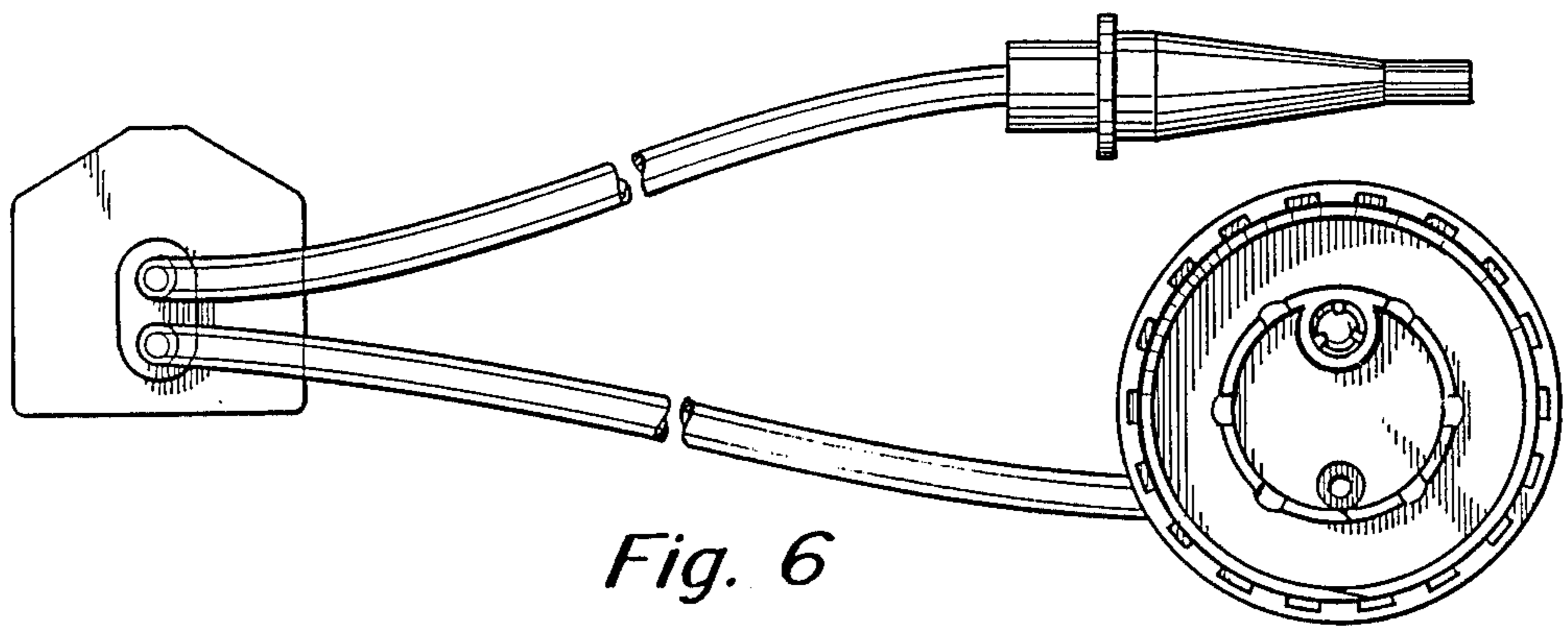
*Fig. 3*



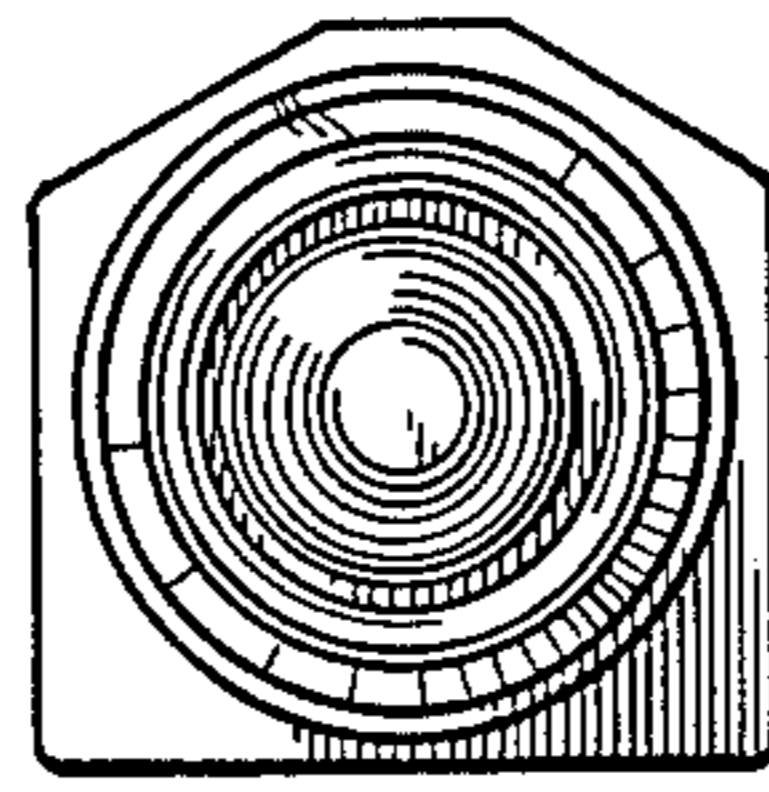
*Fig. 4*



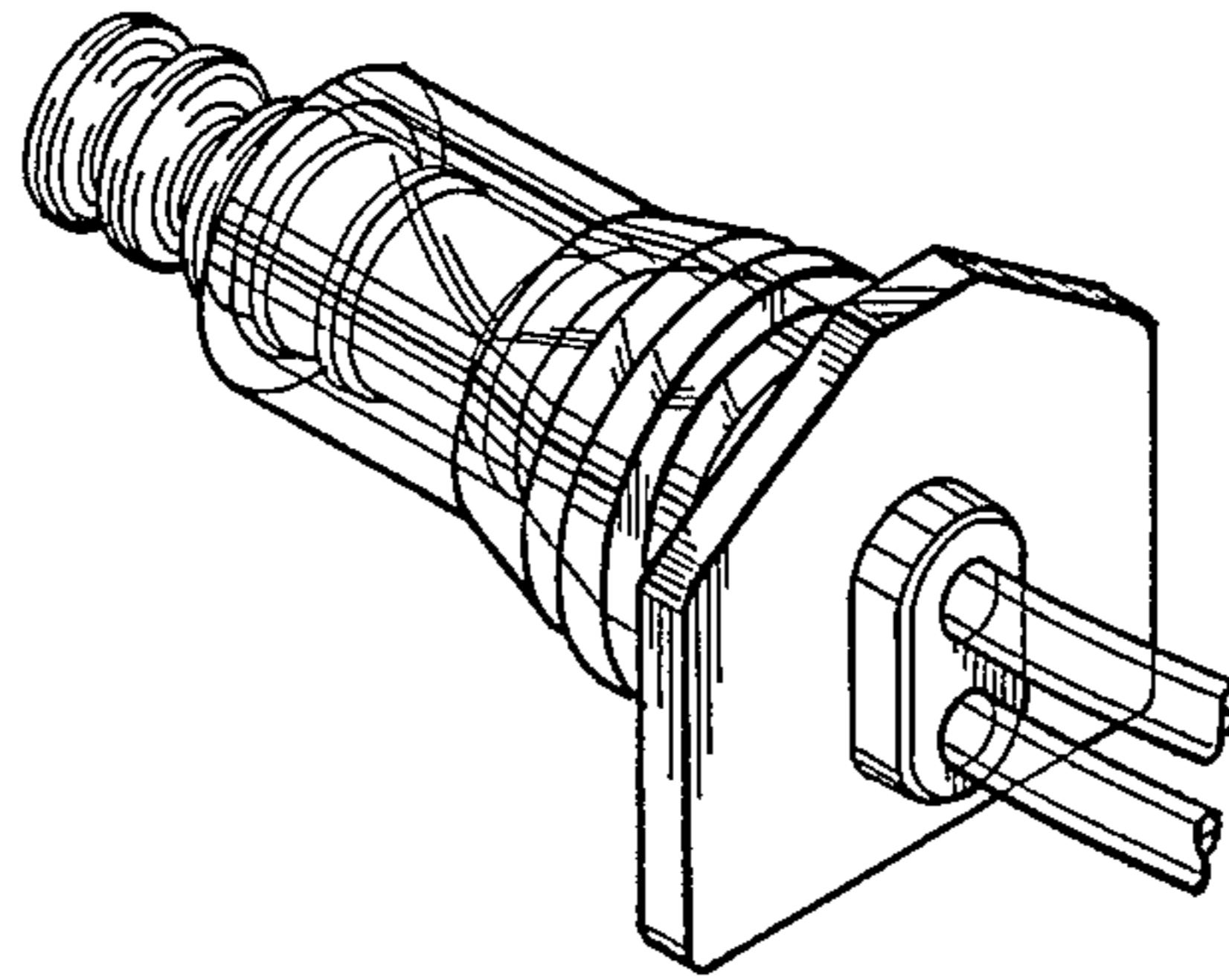
*Fig. 5*



*Fig. 6*



*Fig. 7*



*Fig. 8*