

[54] SHOWER FILTER

738,486 9/1903 Rogers 210/449 X

[76] Inventor: William T. Kerr, P.O. Box 18,
Lamont, Fla. 32336

Primary Examiner—Susan J. Lucas
Assistant Examiner—M. H. Tung
Attorney, Agent, or Firm—Duckworth, Allen, Dyer &
Doppelt

[**] Term: 14 Years

[21] Appl. No.: 200,312

[57] CLAIM

[22] Filed: May 31, 1988

The ornamental design for a shower filter, as shown.

[52] U.S. Cl. D23/209

[58] Field of Search D23/200, 207, 208, 209,
D23/210, 233, 238, 239; 210/440, 444, 446, 447,
448, 238, 292, 435, 441, 442, 449, 455, 418, 419

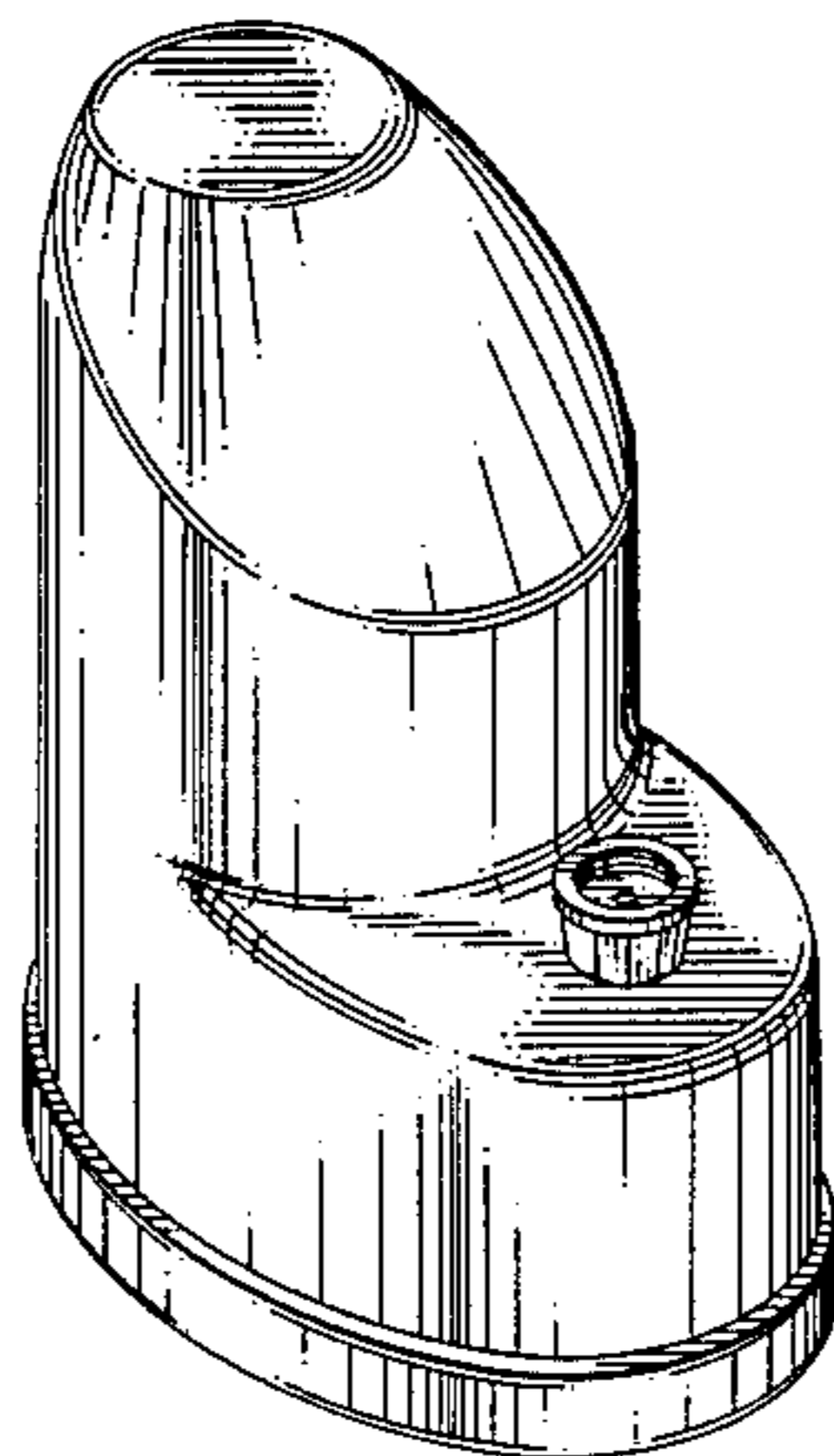
DESCRIPTION

FIG. 1 is a top perspective view of a shower filter showing my new design, on an enlarged scale;
FIG. 2 is a bottom plan view thereof;
FIG. 3 is a rear elevational view thereof;
FIG. 4 is a front elevational view thereof;
FIG. 5 is a top plan view thereof;
FIG. 6 is a side elevational view thereof, the opposite side being a mirror image.

[56] References Cited

U.S. PATENT DOCUMENTS

- D. 229,054 11/1973 Watanabe D23/207
- 487,614 12/1892 Evans 210/449 X
- 554,281 2/1896 Linke et al. 210/442 X



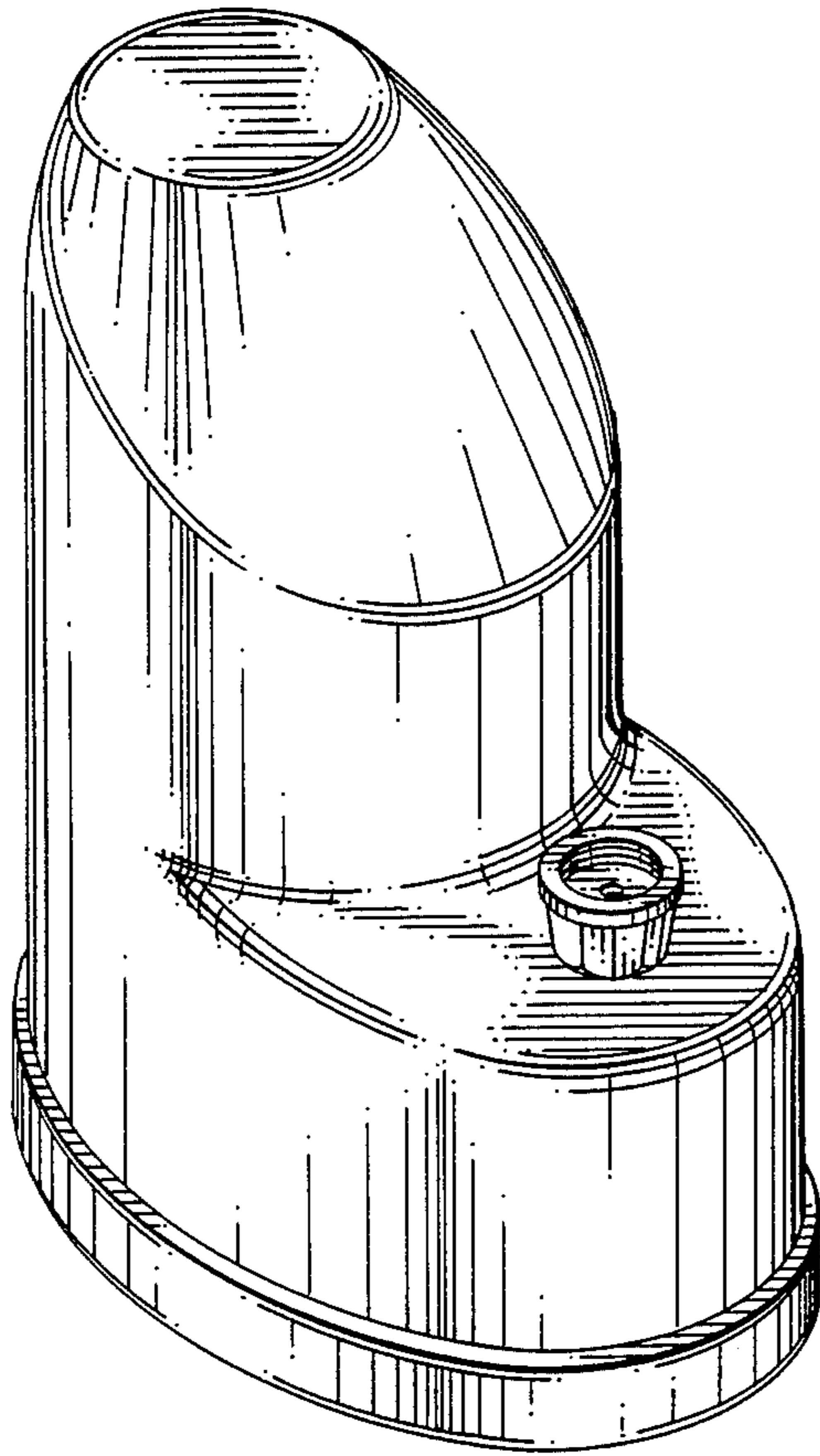


FIG. 1

FIG. 2

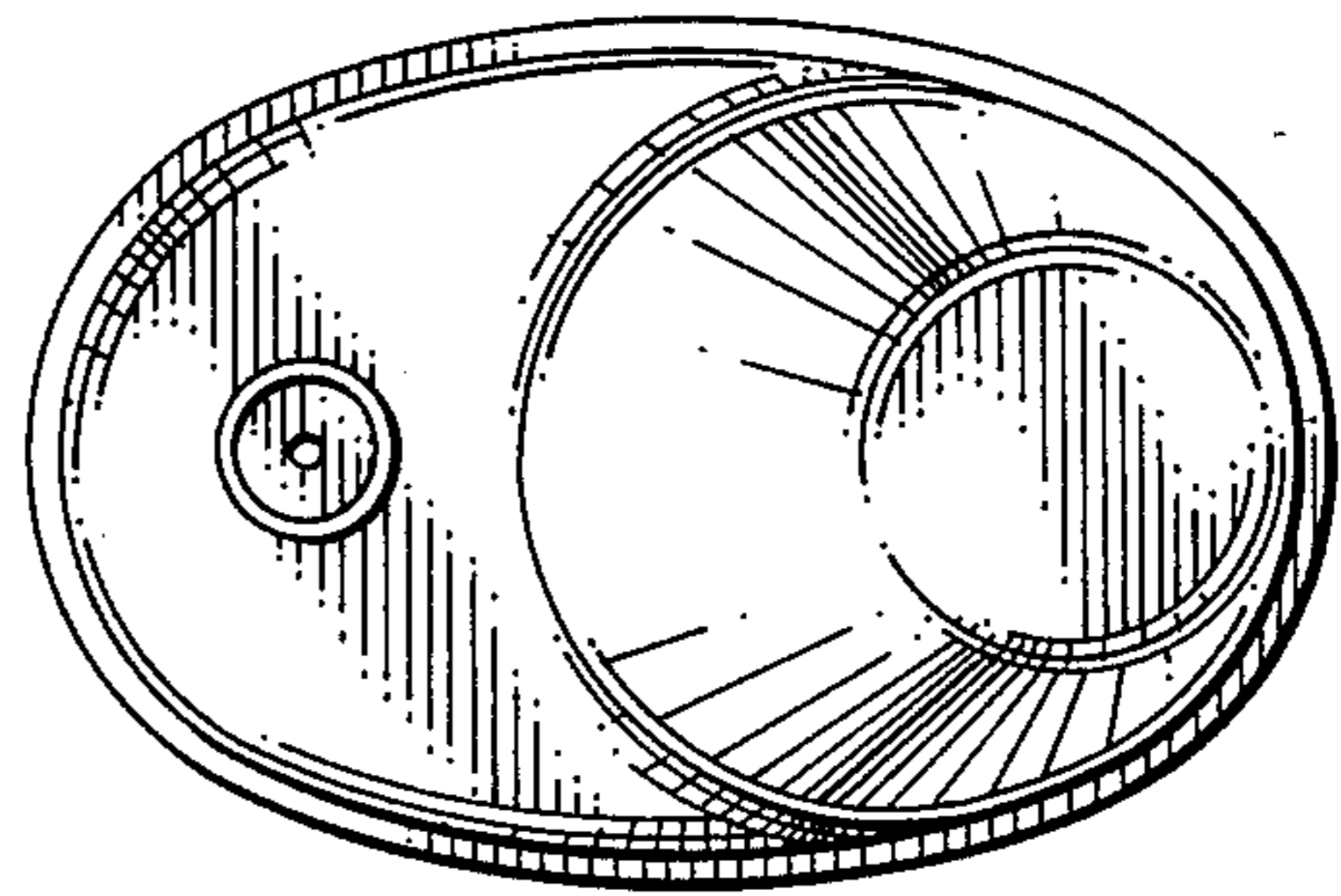
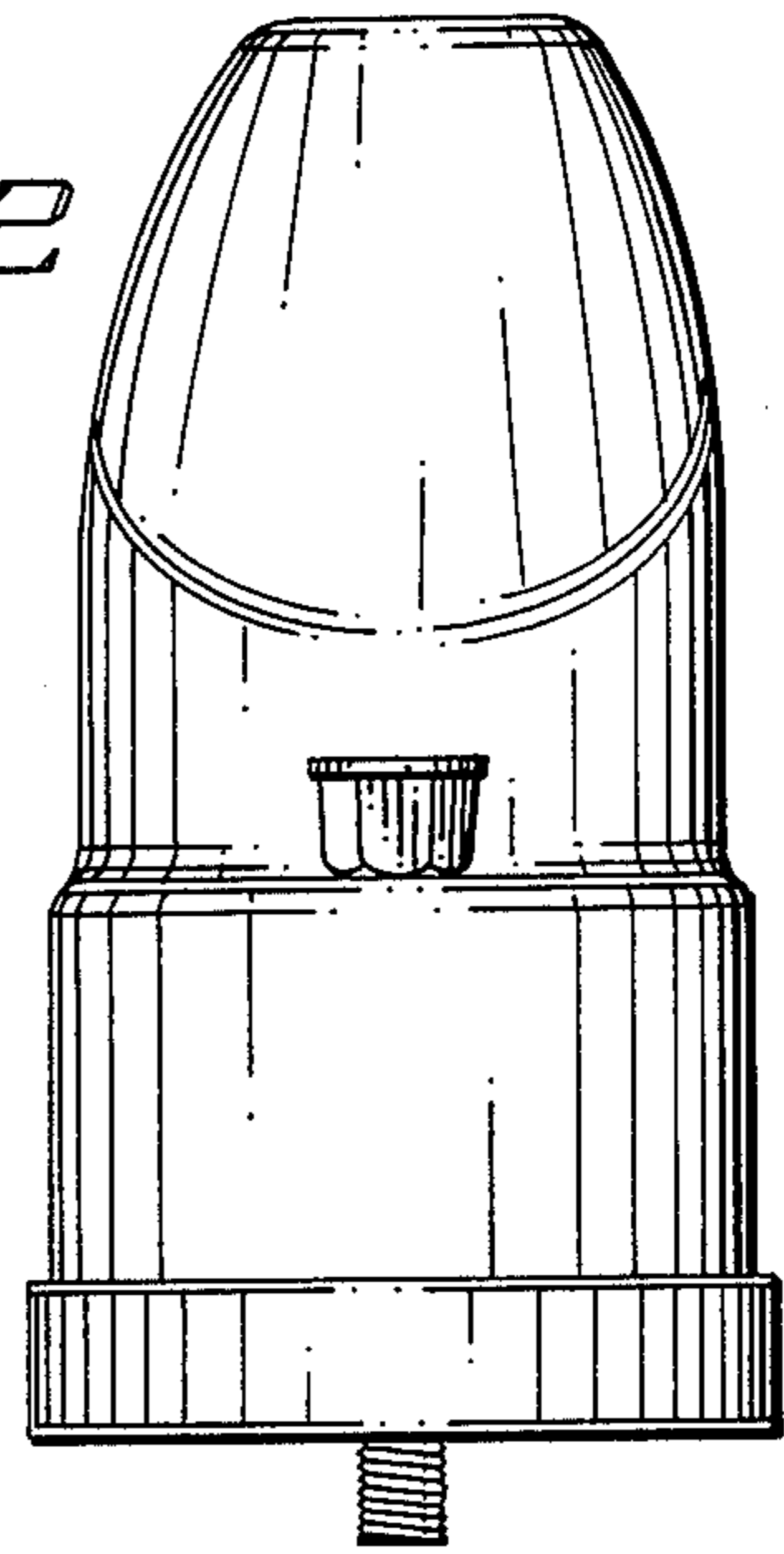


FIG. 3

FIG. 4

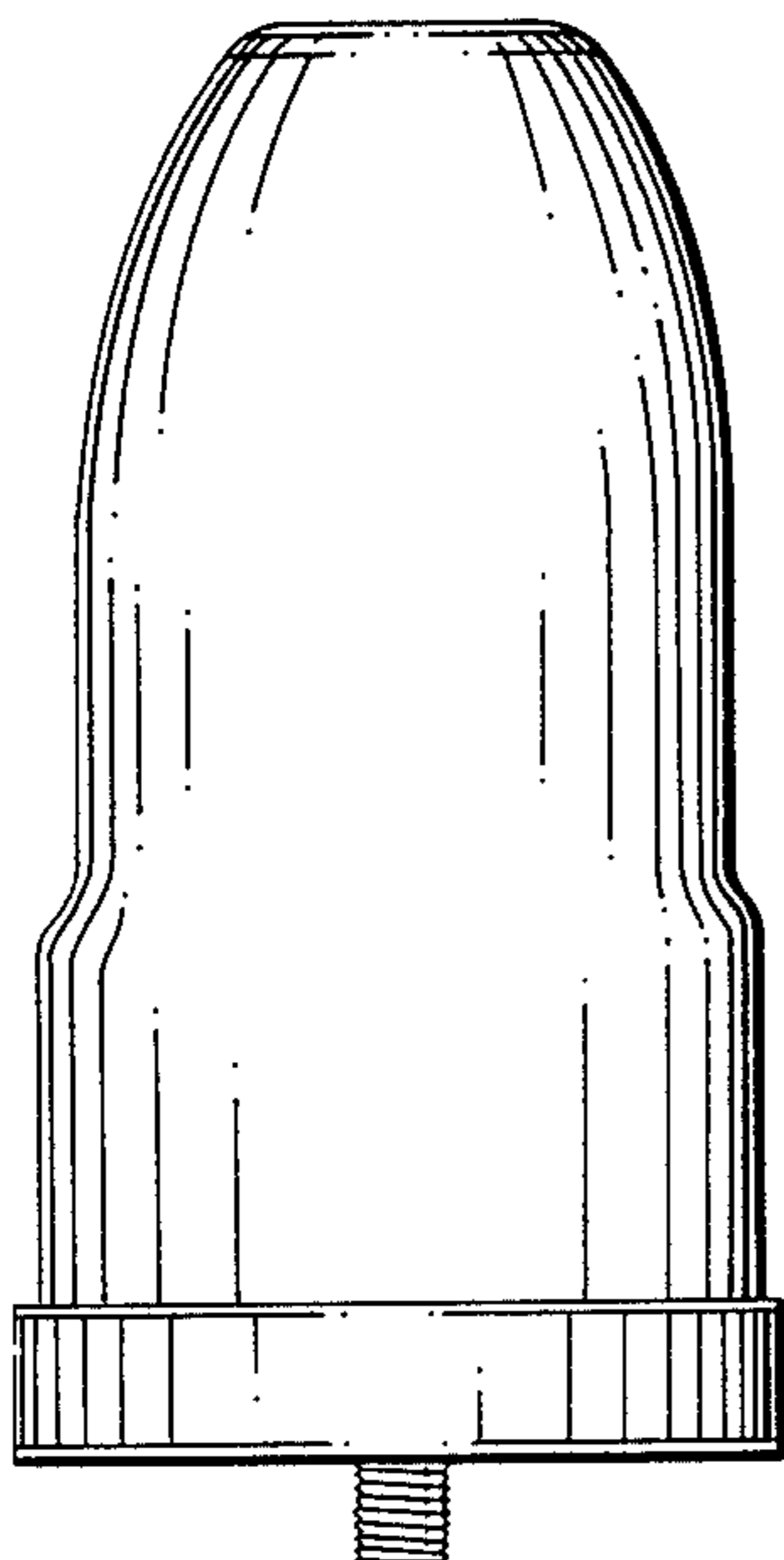
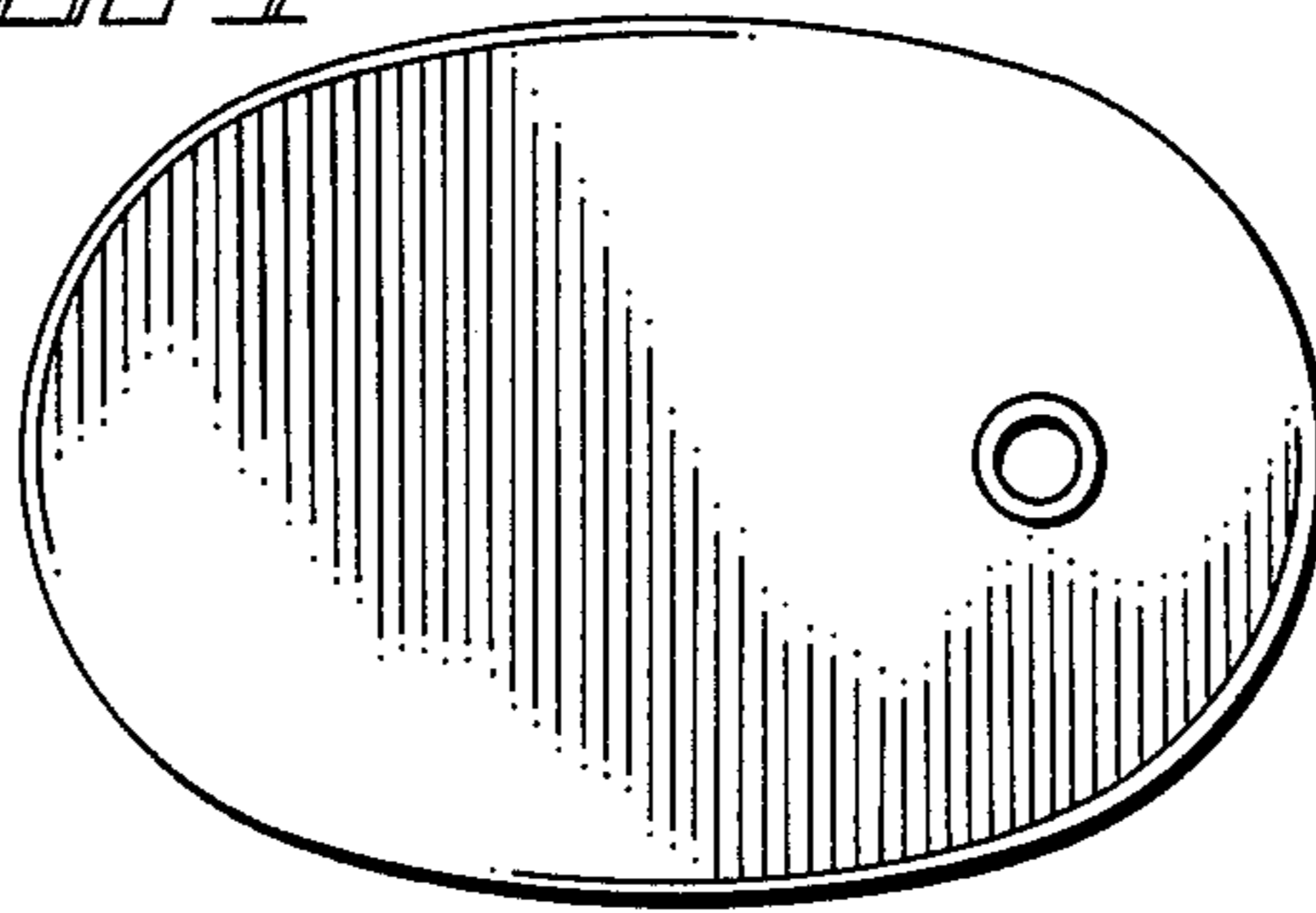


FIG. 5

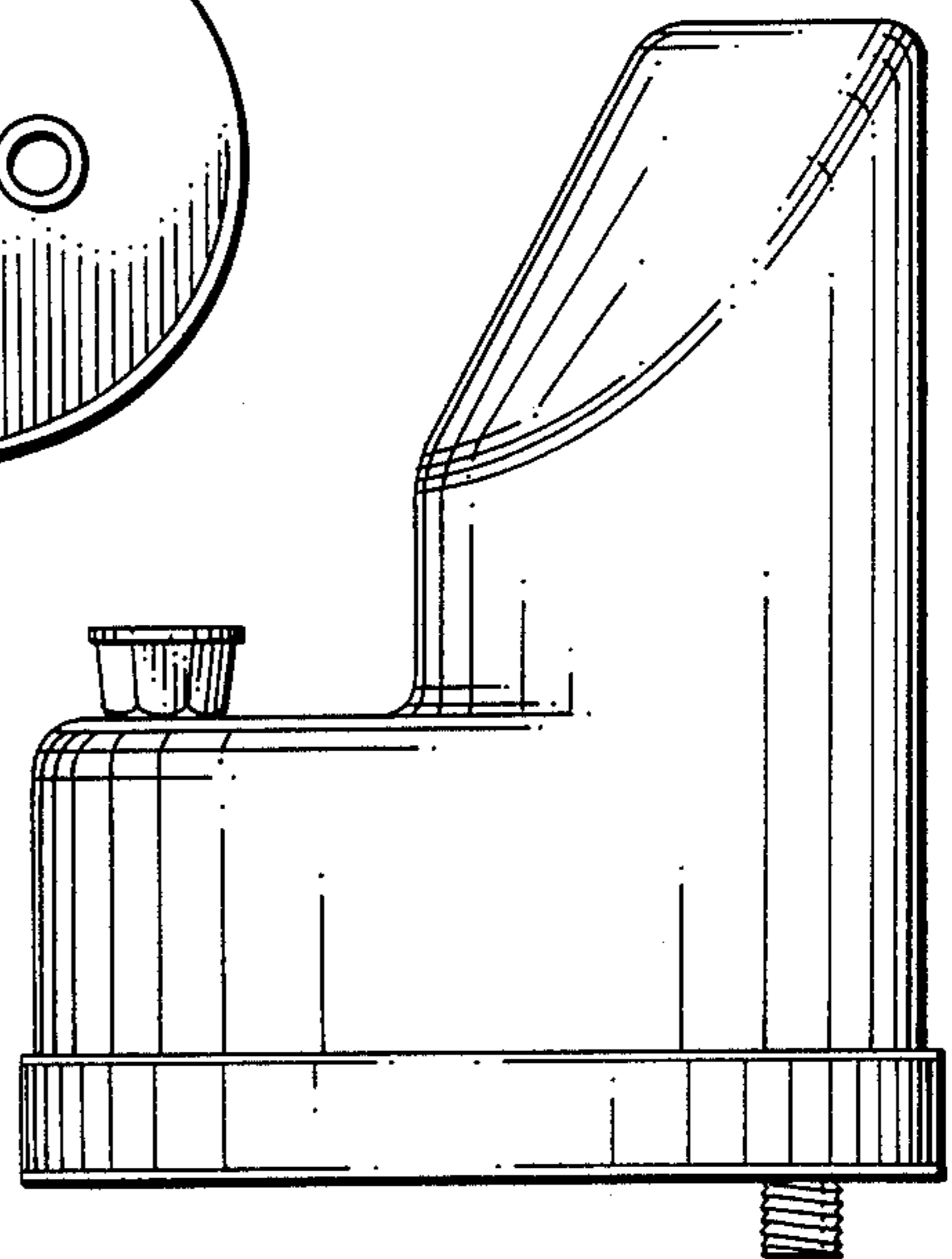


FIG. 6