

United States Patent [19]

Yoshikawa

[11] Patent Number: **Des. 307,785**

[45] Date of Patent: **** May 8, 1990**

[54] **REEL FOR FISHING**

[75] Inventor: **Toshiaki Yoshikawa, Musashino, Japan**

[73] Assignee: **Daiwa Seico, Inc., Tokyo, Japan**

[**] Term: **14 Years**

[21] Appl. No.: **168,329**

[22] Filed: **Mar. 15, 1988**

[30] **Foreign Application Priority Data**

Sep. 24, 1987 [JP] Japan 62-38918

[52] U.S. Cl. **D22/141**

[58] Field of Search D22/140, 141; 242/230, 242/231, 232

[56] **References Cited**

U.S. PATENT DOCUMENTS

D. 270,934 10/1983 Iinuma D22/141

D. 294,621 3/1988 Myojo D22/141
D. 294,622 3/1988 Myojo D22/141
D. 300,237 3/1989 Myojo D22/141

Primary Examiner—A. Hugo Word
Assistant Examiner—Doris V. Coles
Attorney, Agent, or Firm—Bacon & Thomas

[57] **CLAIM**

The ornamental design for a reel for fishing, as shown.

DESCRIPTION

FIG. 1 is a front perspective view of a reel for fishing showing my new design;
FIG. 2 is a rear perspective view thereof;
FIG. 3 is a front elevational view thereof;
FIG. 4 is a top plan view thereof;
FIG. 5 is a right side elevational view thereof;
FIG. 6 is a rear elevational view thereof;
FIG. 7 is a bottom plan view thereof; and
FIG. 8 is a left side elevational view thereof.

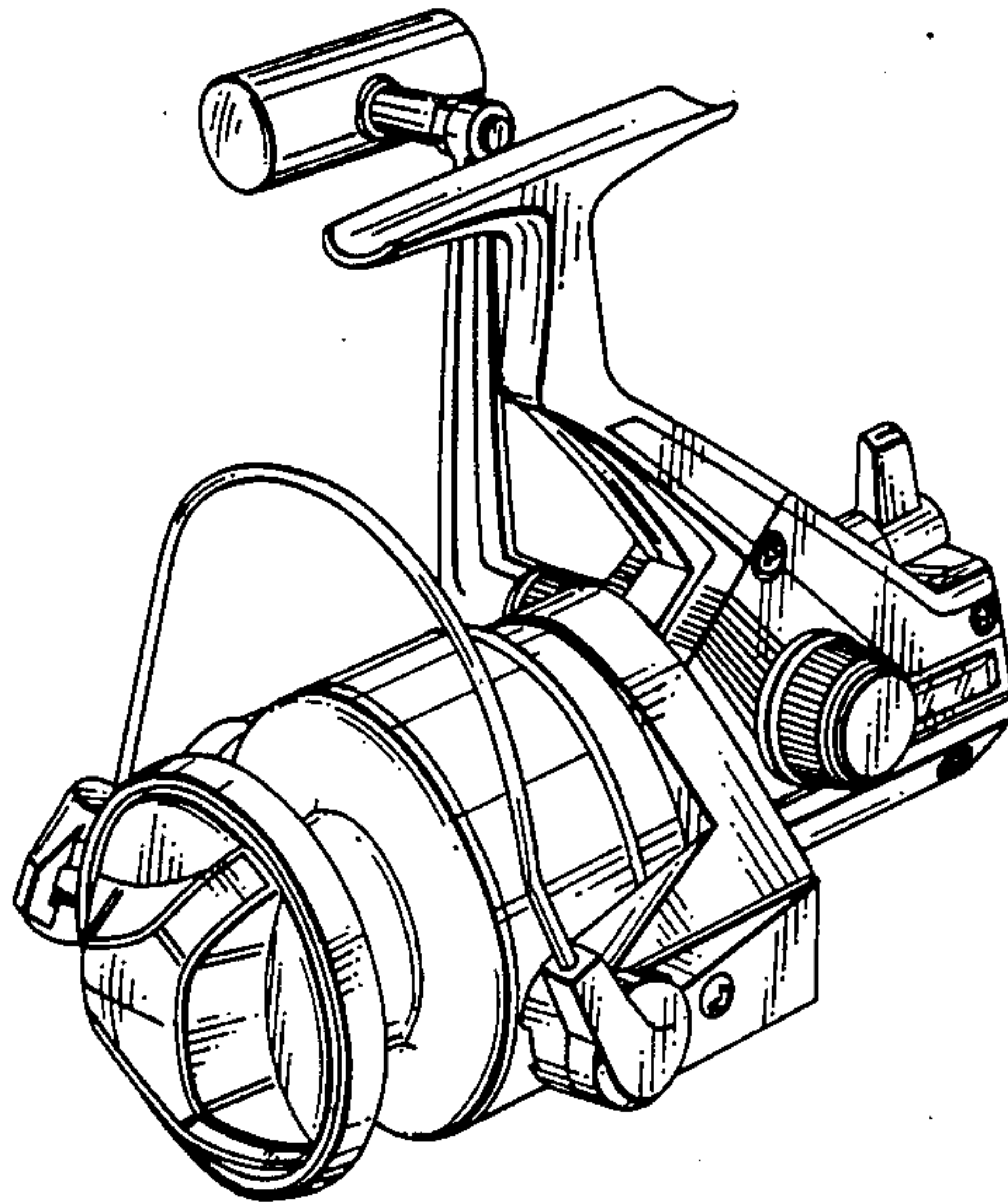


FIG. 1

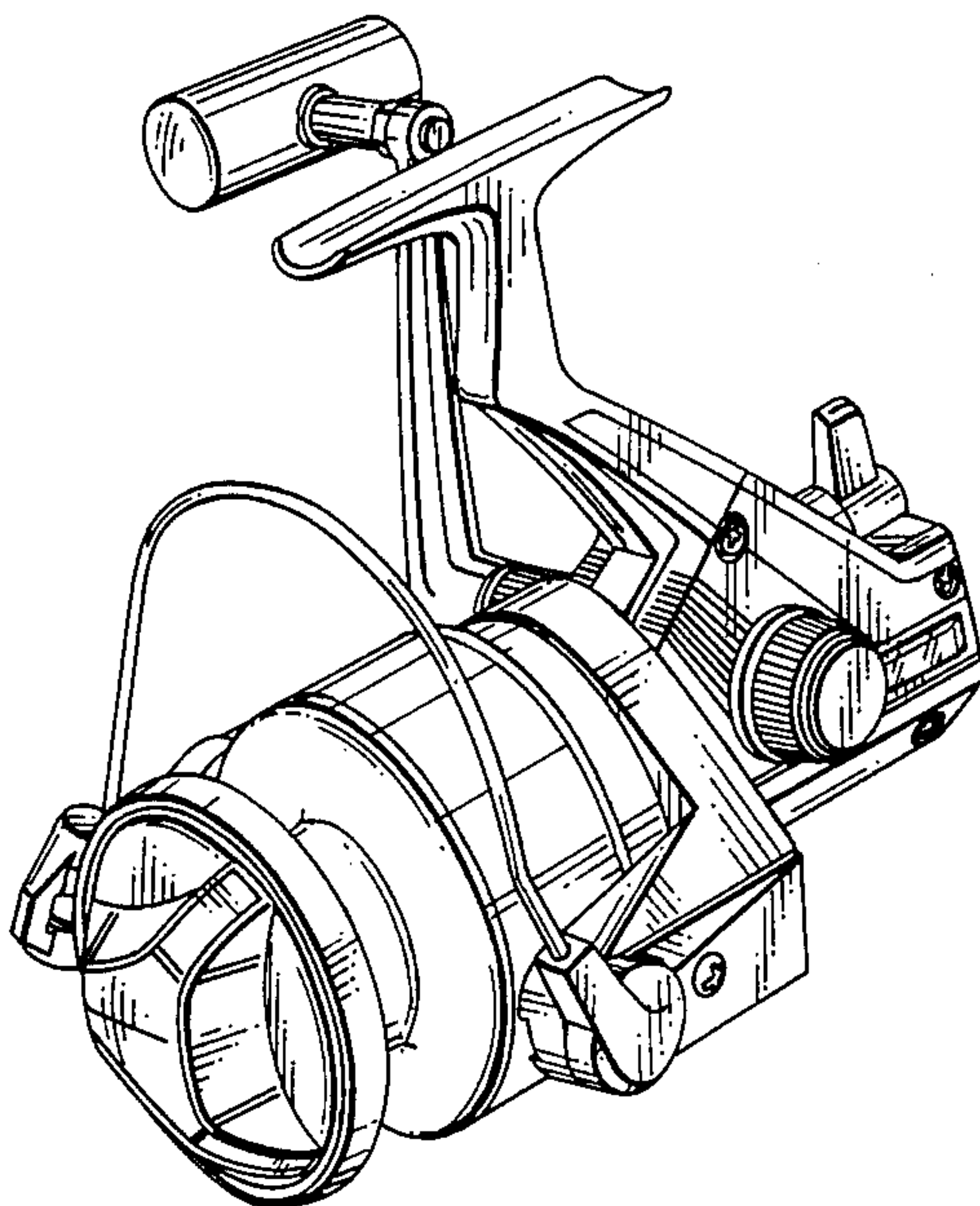


FIG. 2

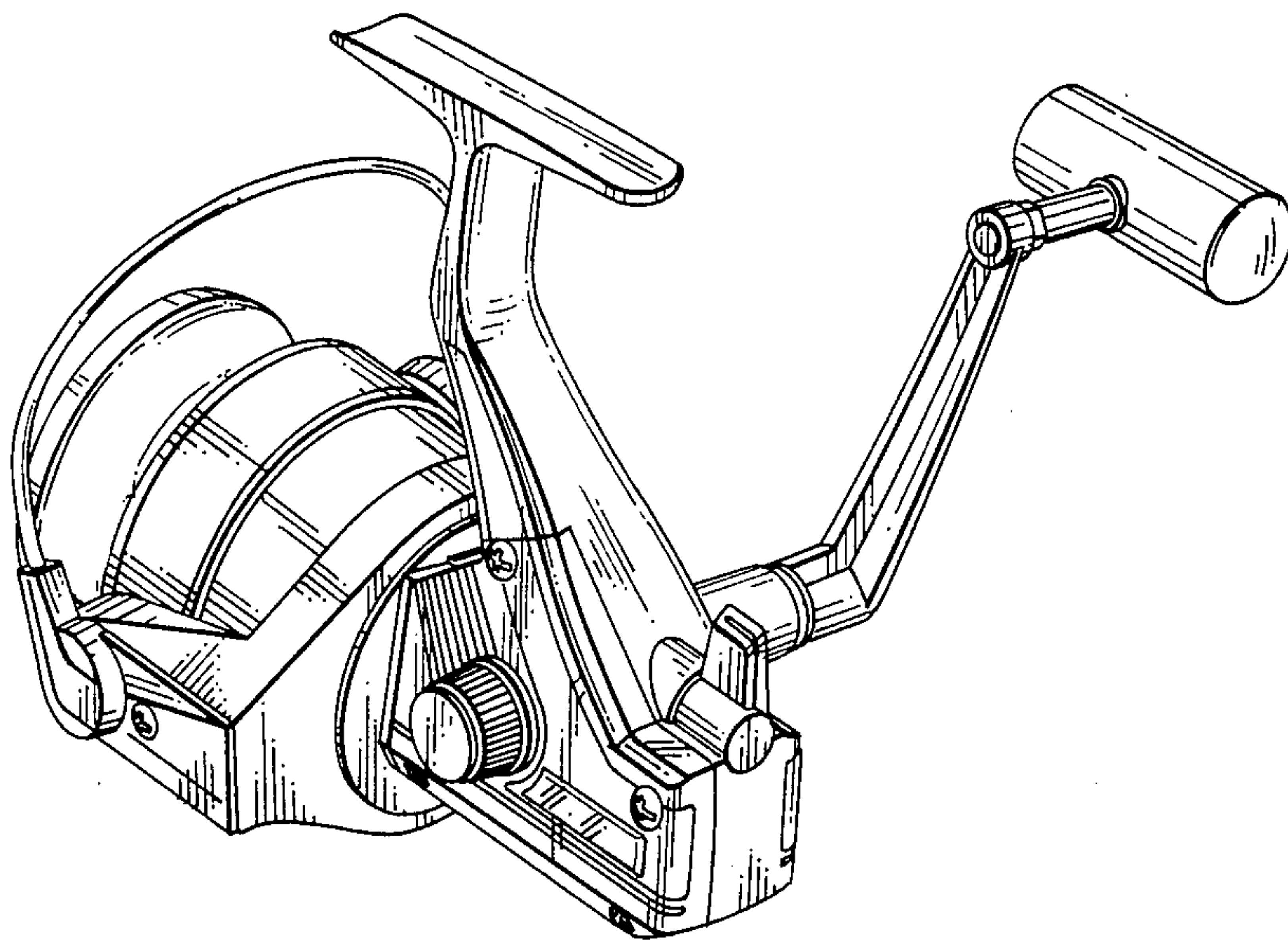


FIG. 3

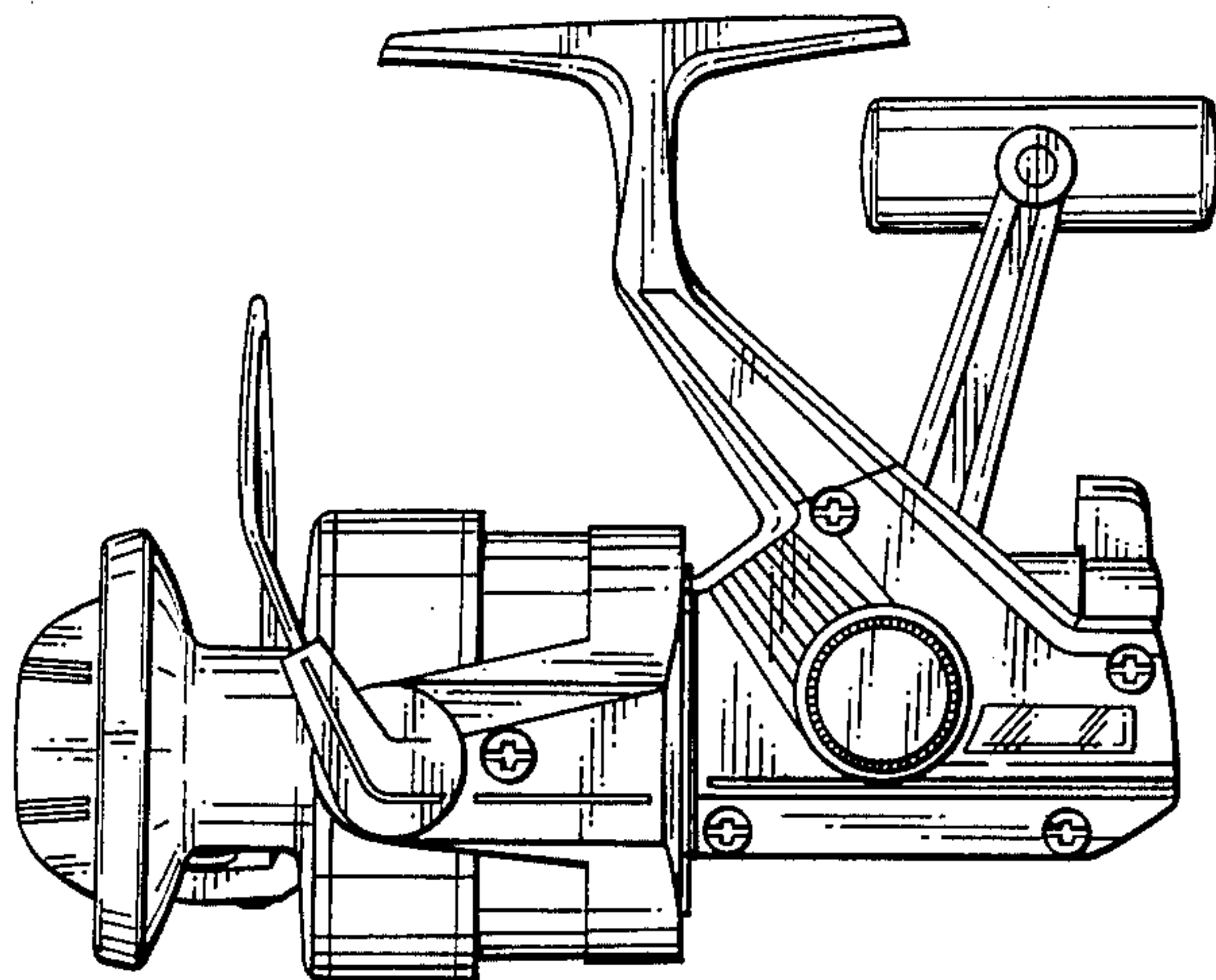


FIG. 4

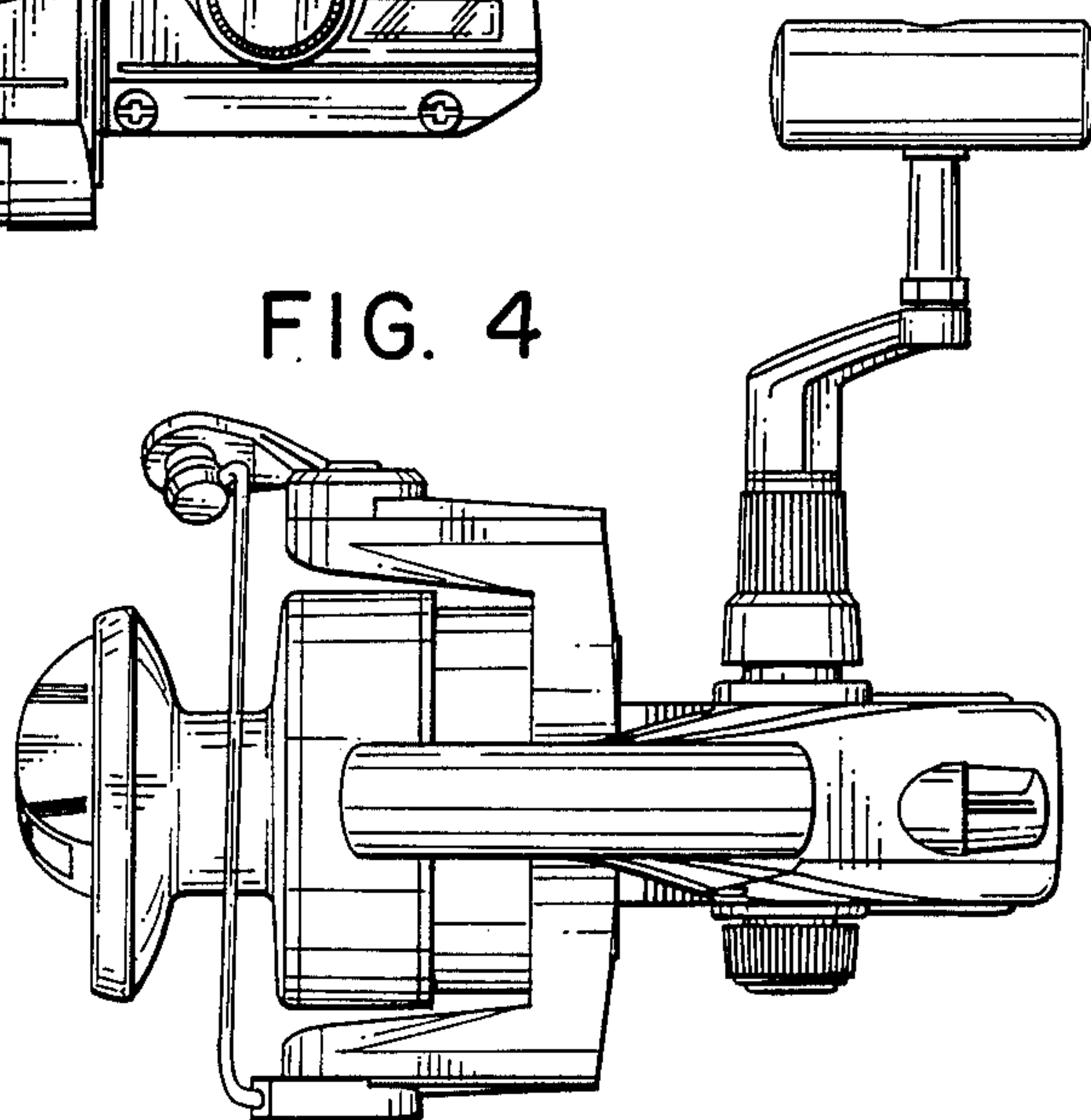


FIG. 5

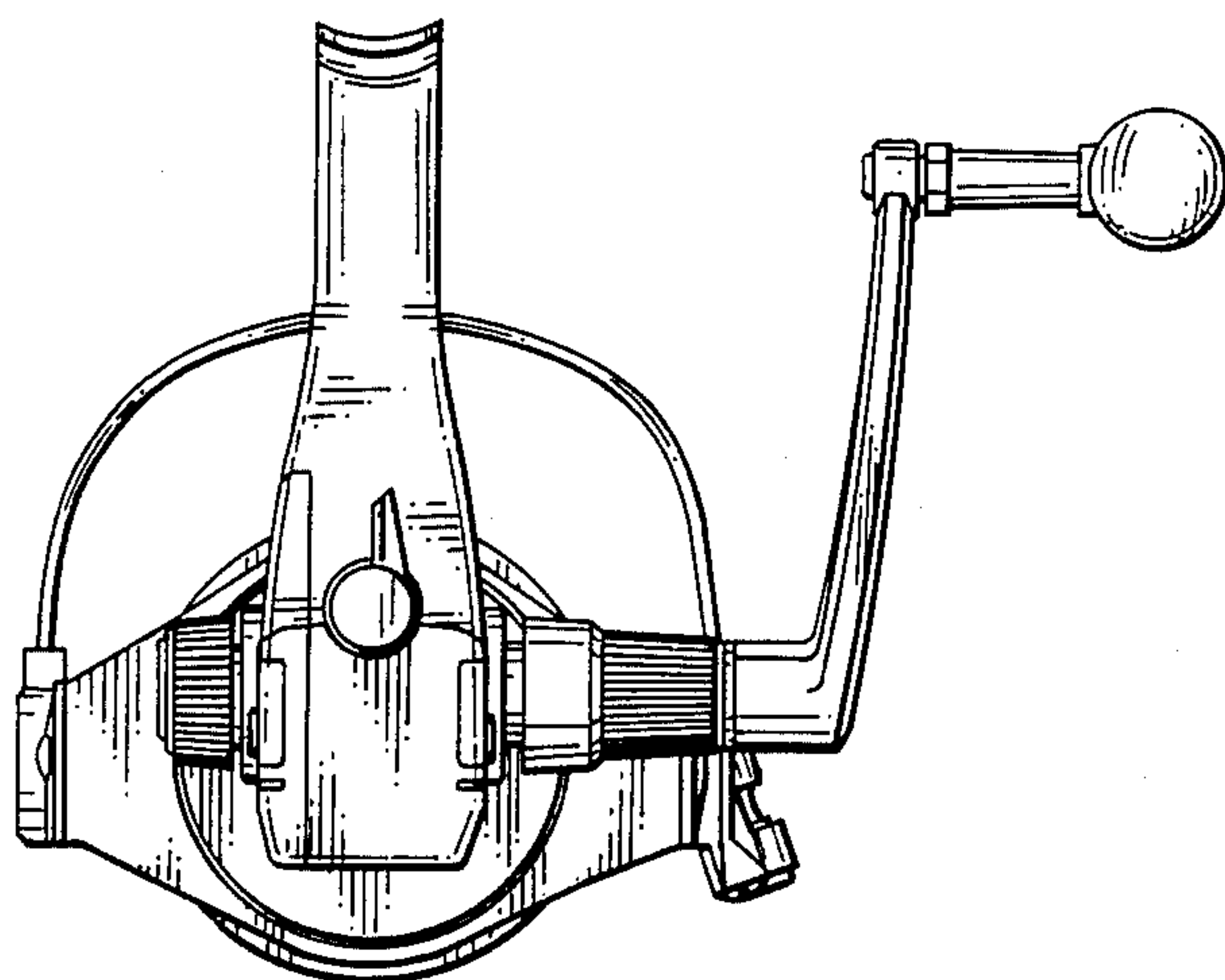


FIG. 6

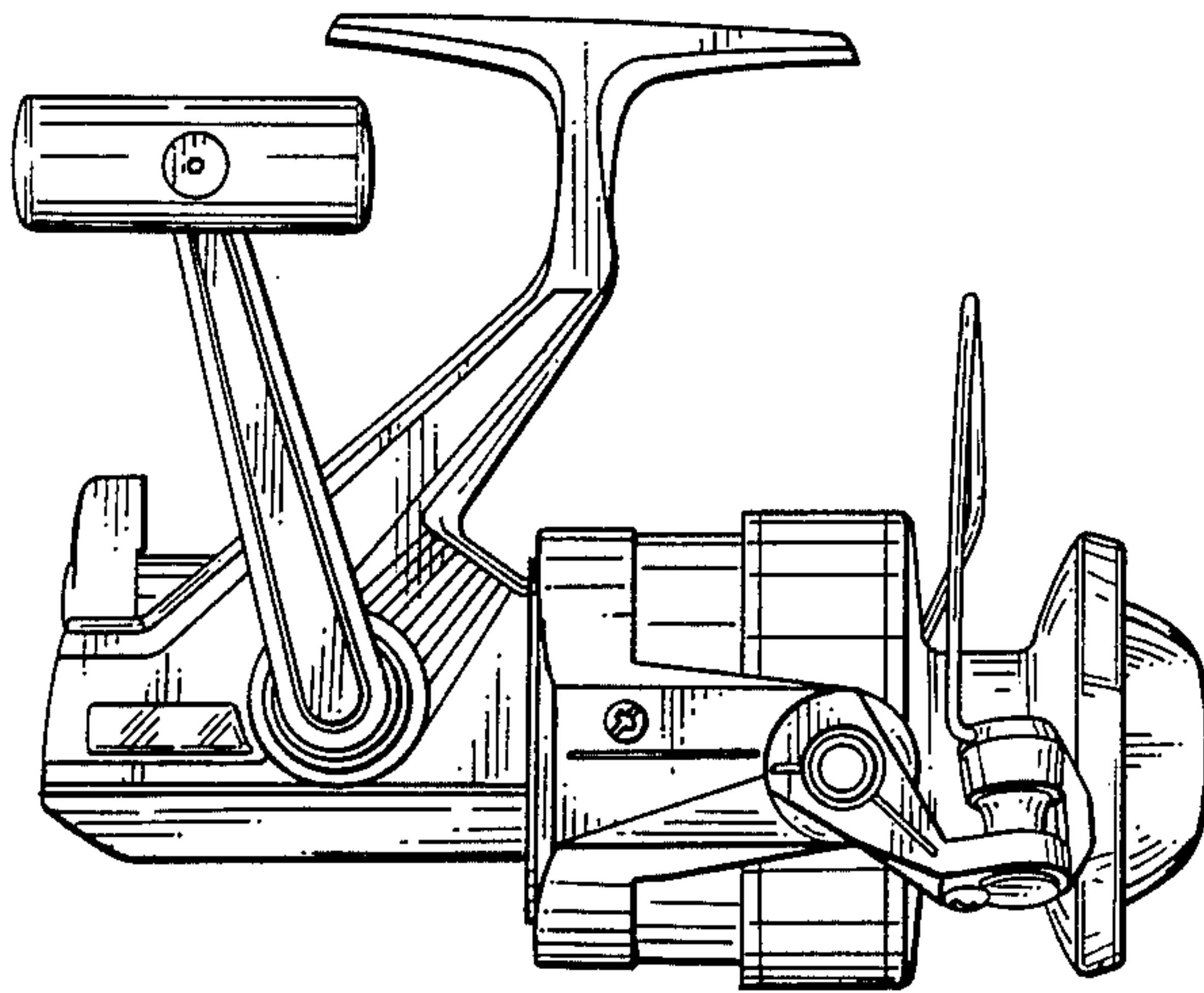


FIG. 7

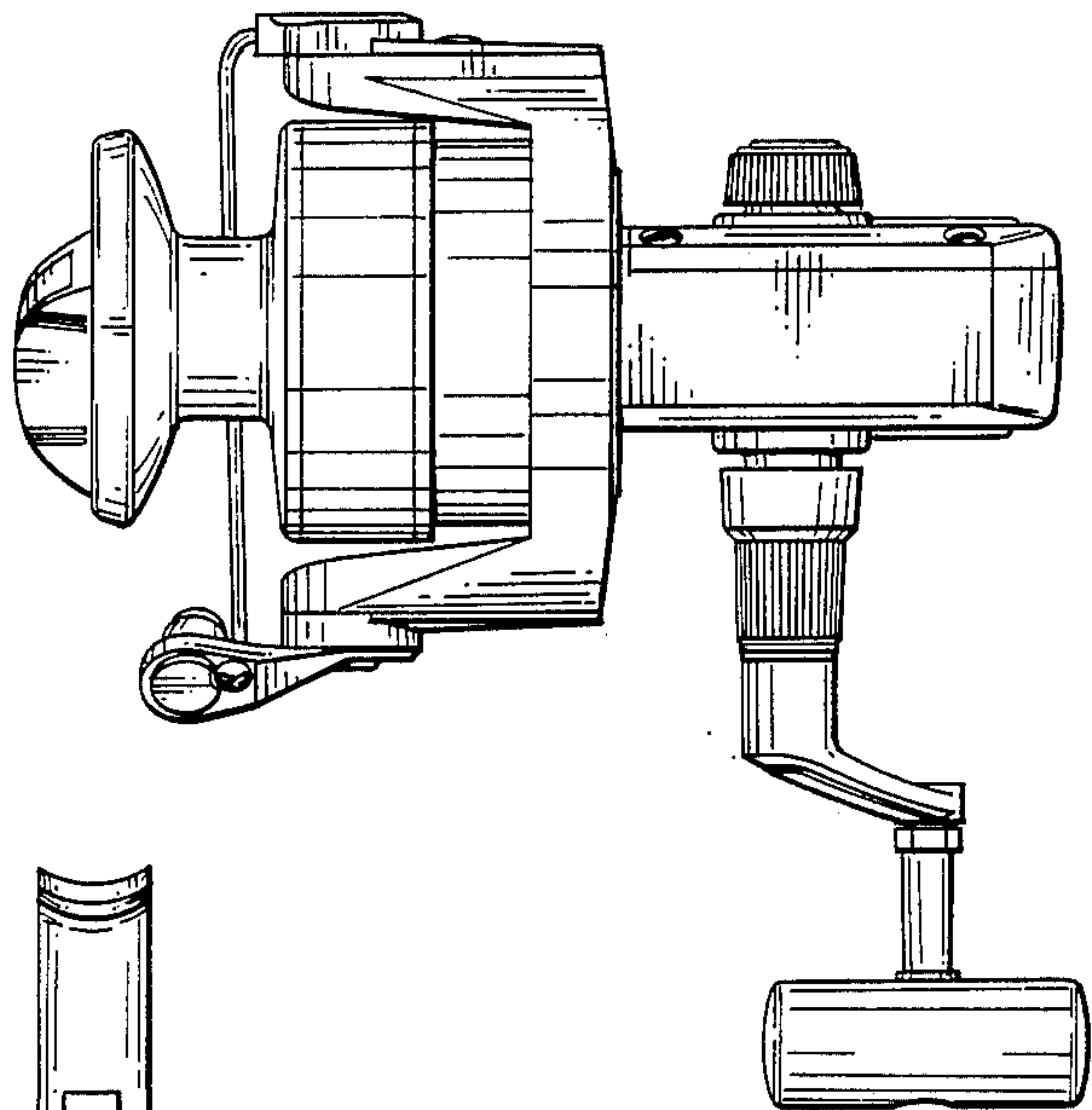
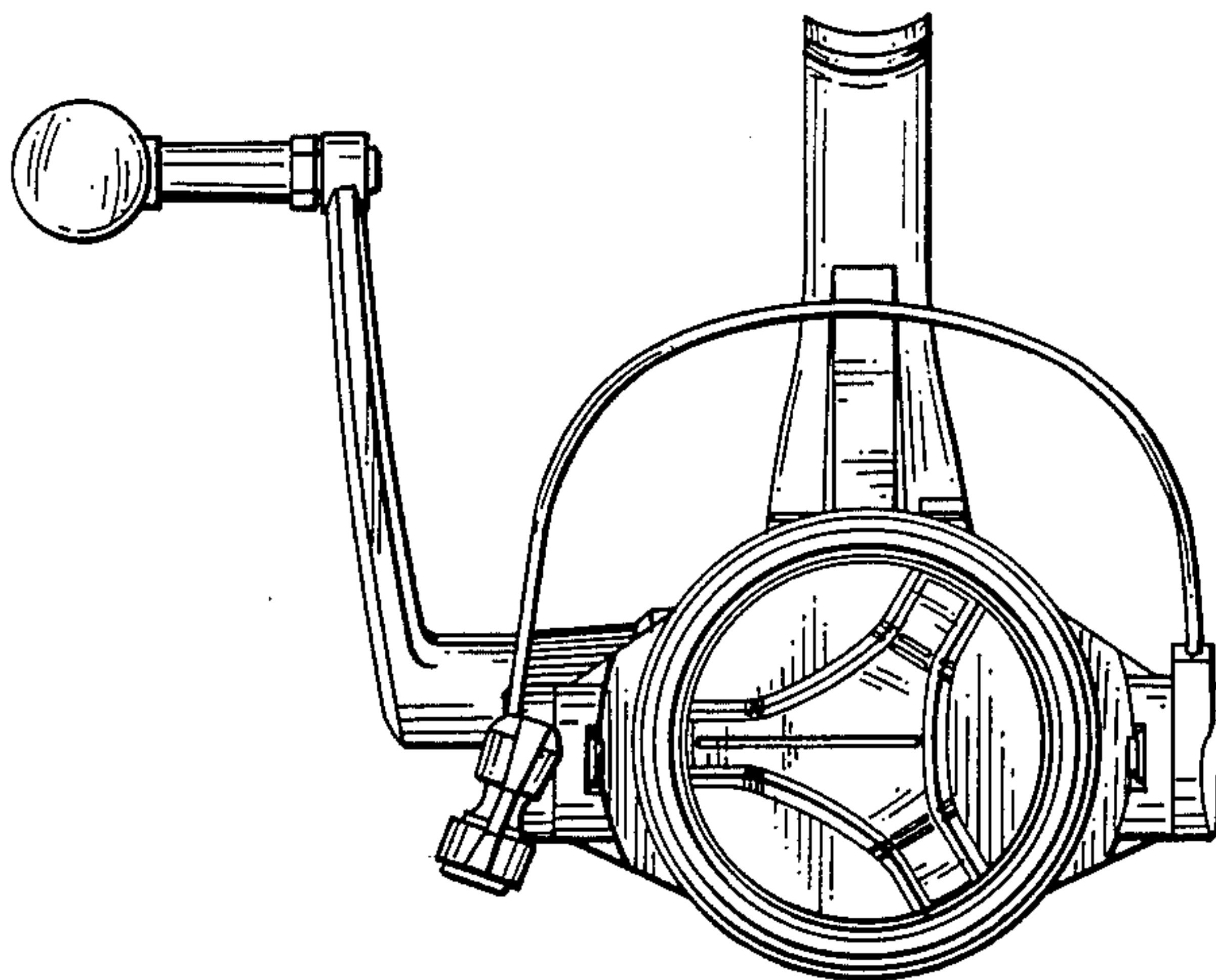


FIG. 8



UNITED STATES PATENT AND TRADEMARK OFFICE
CERTIFICATE OF CORRECTION

PATENT NO. : Des. 307,785
DATED : May 8, 1990
INVENTOR(S) : Toshiaki Yoshikawa

It is certified that error appears in the above-identified patent and that said Letters Patent is hereby corrected as shown below:

On the title page item [73] Assignee: should read
-- Assignee: Daiwa Seiko, Inc., Tokyo, Japan --

**Signed and Sealed this
Twenty-first Day of April, 1992**

Attest:

Attesting Officer

HARRY F. MANBECK, JR.

Commissioner of Patents and Trademarks