

[54] **TROT LINE GUIDE**

[76] **Inventor: Thomas E. Rodgers, Rte. 4, Box 3075, Stigler, Okla. 74462**

[**] **Term: 14 Years**

[21] **Appl. No.: 62,055**

[22] **Filed: Jun. 15, 1987**

[52] **U.S. Cl. D22/134**

[58] **Field of Search D22/143; D8/59; 43/57.3, 27.4, 27.2, 4; 254/389; 242/137.1**

[56] **References Cited**

U.S. PATENT DOCUMENTS

D. 296,515 7/1988 Cors D8/59
3,896,579 7/1975 Benne 43/27.4
4,321,766 3/1982 Henderson 43/4

FOREIGN PATENT DOCUMENTS

117155 7/1969 Norway 43/57.3

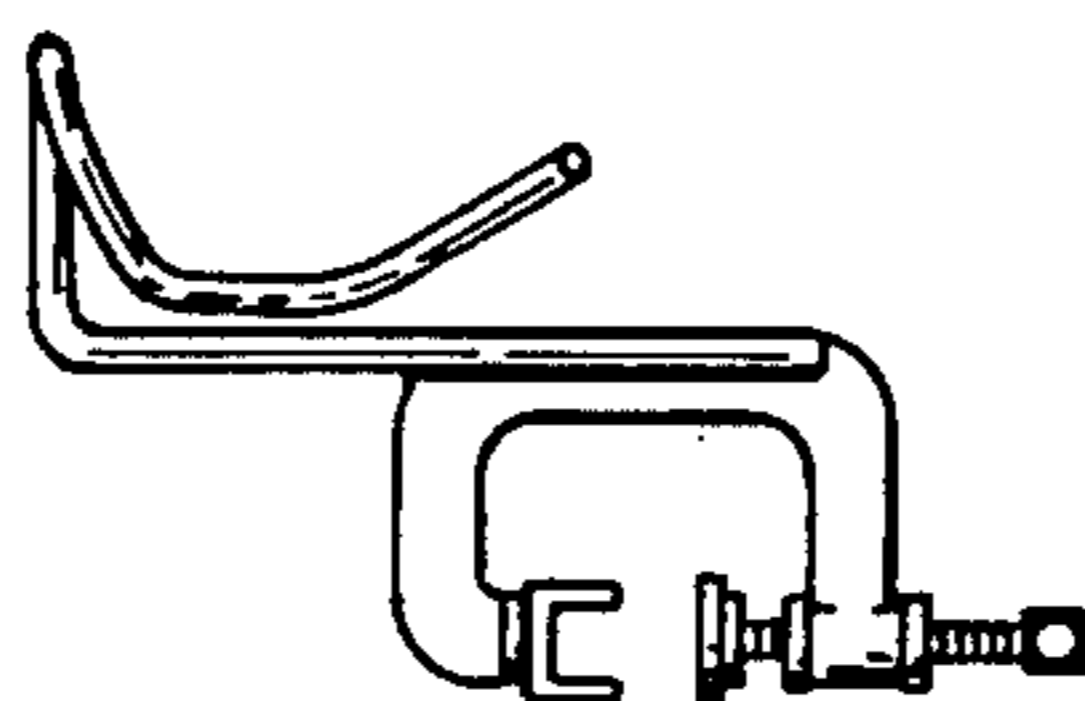
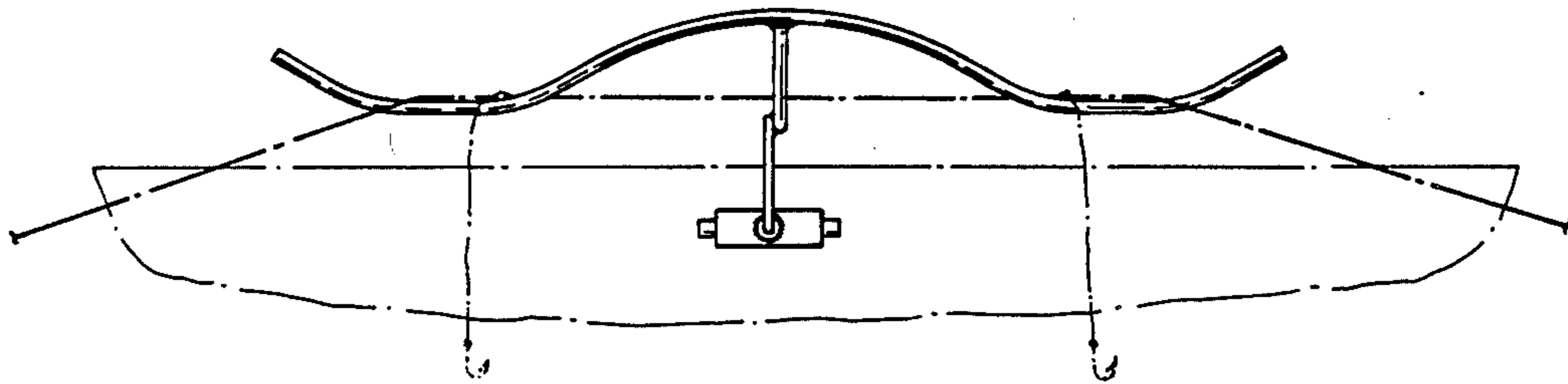
Primary Examiner—A. Hugo Word
Assistant Examiner—Doris V. Coles
Attorney, Agent, or Firm—Dunlap, Coddington, Peterson & Lee

[57] **CLAIM**

The ornamental design for a trot line guide, as shown.

DESCRIPTION

FIG. 1 is a bottom plan view of a trot line guide, showing my new design;
FIG. 2 is a side elevational view thereof;
FIG. 3 is an end elevational view thereof;
FIG. 4 is a bottom plan view from the opposite side of FIG. 1;
FIG. 5 is a side elevational view from the opposite side of FIG. 2; and
FIG. 6 is an end view from the opposite side of FIG. 3.
The broken line showing of the boat and trot line is for illustrative purposes only and forms no part of the claimed design.



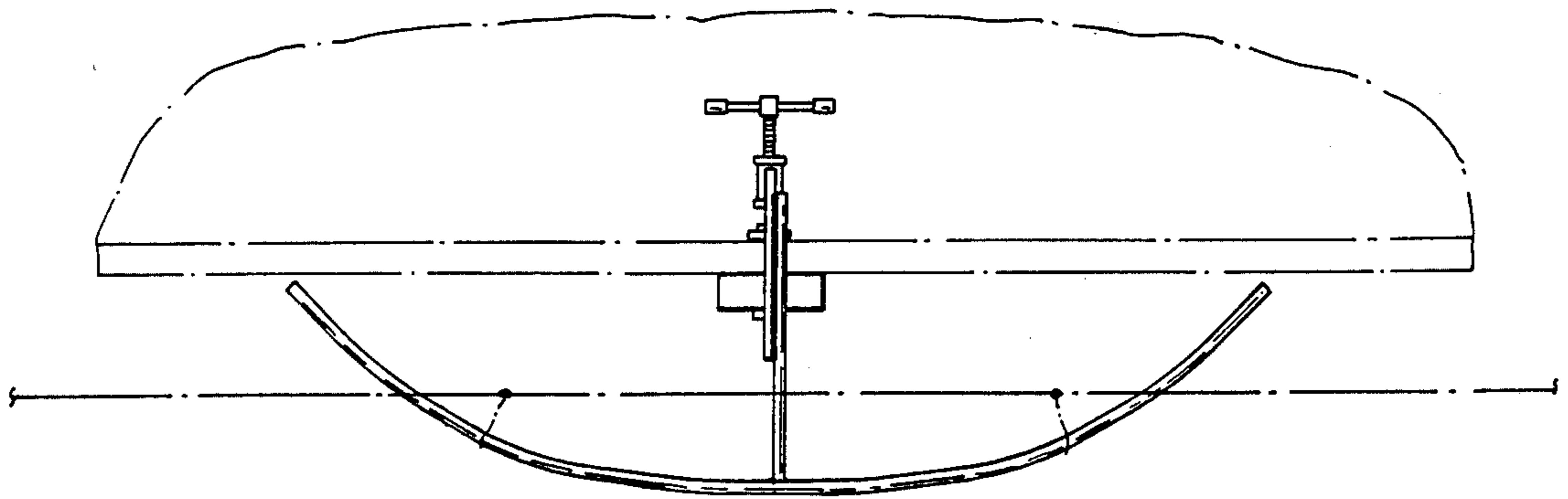


FIG. 1

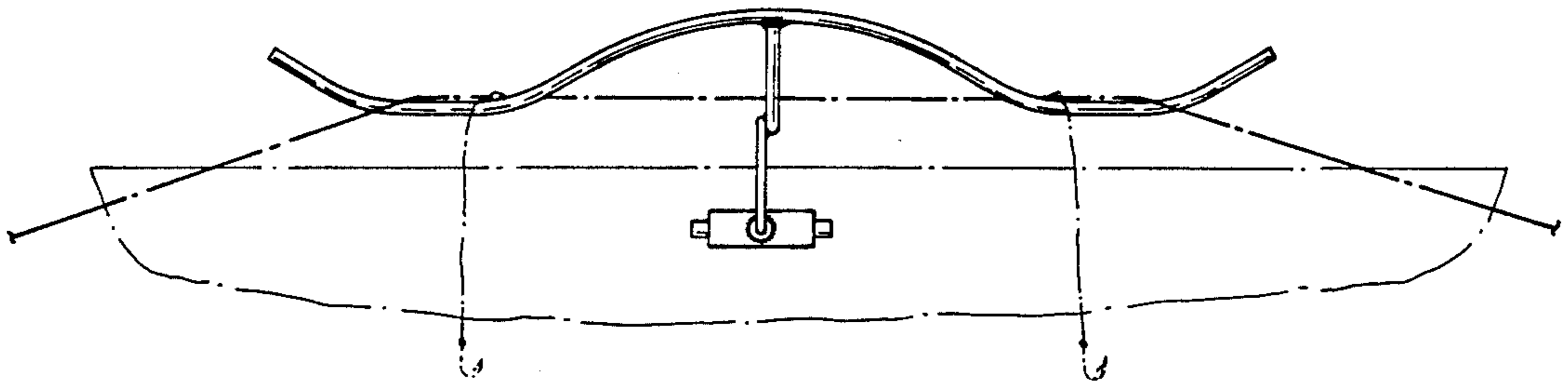


FIG. 2

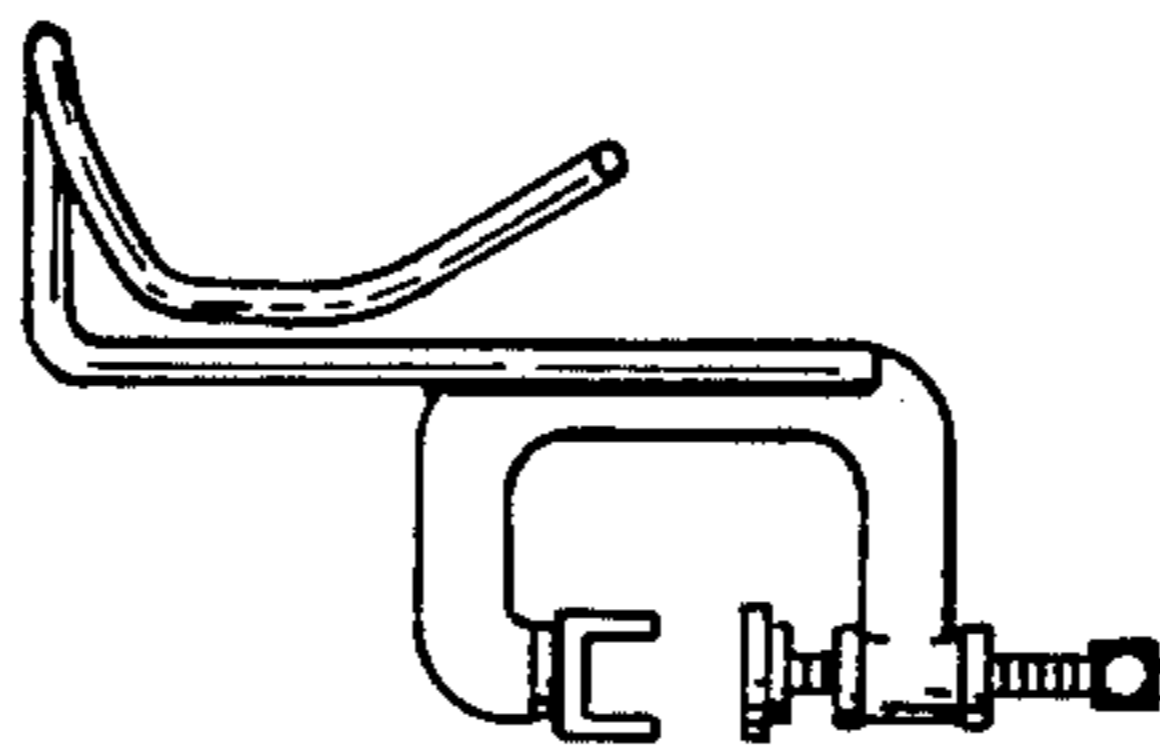


FIG. 3

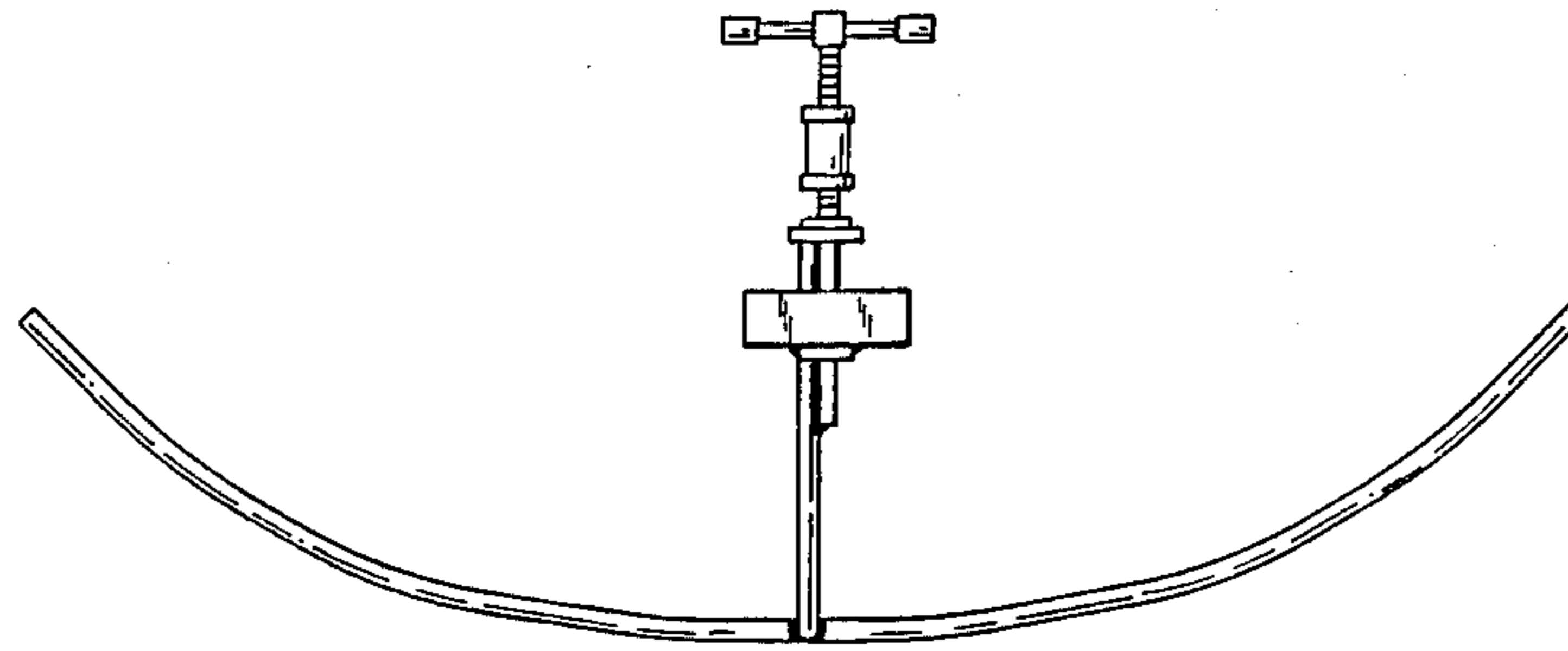


FIG. 4

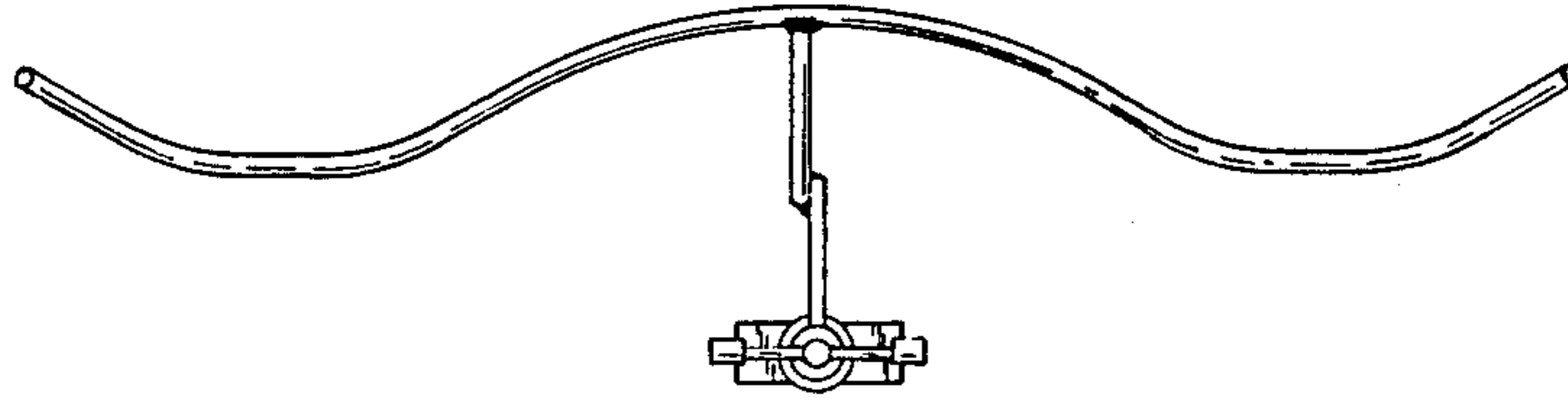


FIG. 5

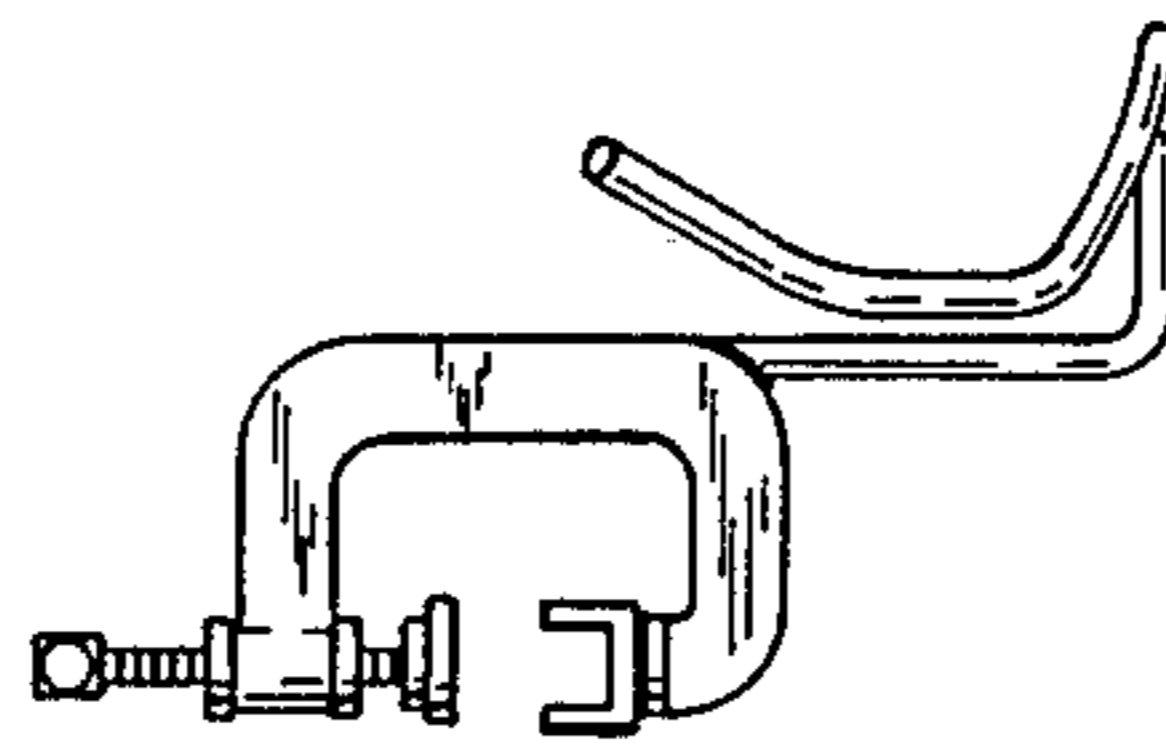


FIG. 6