

[54] EXERCISE CYCLE

[75] Inventors: James S. Birrell, Seattle; Timothy O. Armstrong, Bellevue; Cole J. Dalton, Seattle, all of Wash.

[73] Assignee: Precor Incorporated, Bothell, Wash.

[**] Term: 14 Years

[21] Appl. No.: 254,794

[22] Filed: Oct. 12, 1988

[52] U.S. Cl. D21/194

[58] Field of Search D21/191-199; 272/70.3, 73, 132, DIG. 6; 73/379

[56] References Cited

U.S. PATENT DOCUMENTS

D. 225,070	11/1972	Proctor	D34/5
D. 229,077	11/1973	Scalingi et al.	D34/5
D. 279,206	6/1985	Smith et al.	D21/194
D. 280,923	10/1985	Smith et al.	D21/194
D. 288,706	3/1987	Gremonprez et al.	D21/194
D. 290,282	6/1987	Kasuba et al.	D21/194
3,751,033	8/1973	Rosenthal	272/58
3,940,128	2/1976	Ragone	272/73
4,533,136	8/1985	Smith et al.	272/73
4,592,544	6/1986	Smith et al.	272/73

OTHER PUBLICATIONS

Advertisement illustrating the Monark Ergometer 869; Haden Dynavit Aerobitronic 30; AMF Computrim 900; Tunturi Electronic Ergometer EL 400; Cybex Fitron Cycle Ergometer; and Buick Erobotron Exercise Bicycles.

Brochure disclosing the Huffy Pulse-Data Model 90501 Exercise Rowing Machine.

Brochure disclosing the Dyna Bike Ergometer by M&R Industries, Inc.

Brochure disclosing the AMF Computrim 900 Exercise Bicycle.

Brochure illustrating the Cardiotest Exercise Bicycle by Seca.

Brochure disclosing the Erobotron Exercise Bicycle by Buick.

Brochure disclosing a Topfit 100 Exercise Bicycle by Microtec Electronic CmbH.

Brochure disclosing the Haden Dynavit Aerobitronic 30 Exercise Bicycle.

Brochure illustrating the Ergo-Fit 300W and Ergo-Fit 200W Exercise Bicycles.

Brochure disclosing the Heart Mate Exercise Bicycle by Wimbledon Industries Co.

Brochure disclosing the Bodyguard 955 Exercise Bicycle.

Brochure disclosing the Lifecycle Exercise Bicycle by Lifecycle, Inc.

Brochure disclosing the Models ATEL EL400 Electronic Ergometer; ATPT Professional Trainer; ATEE Ergometer; ATHC Home Cycle; and ATFC Family Cycle Exercise Bicycles by Tunturi.

Brochure disclosing the AirDyne Exerciser; ErgoMetric Exerciser; Bio-Dyne Exerciser; and Deluxe Exerciser, manufactured by Schwinn.

Brochure disclosing exercise bicycle Models: Sante 1050; Sante 850 and Sante 250 by Pro-Fit Exercisers Canada, Inc.

Brochure disclosing the Monark Electronic Ergometer 869; Ergometer 868; Weight Ergometer 864; Ergometer 865 Monark Mark II; Exercise Cycle 867; Exercise Cycle 872; and Sparr Rehab 858 Exercise Bicycles by Monark.

Brochure disclosing the Shape Master 2000; DP Body Shaper; and Fitness Express Exercise Bicycles by Diversified Products.

Brochure disclosing the Bodycycle by Marcy Gym Equipment Company.

Brochure disclosing various exercise bicycles set forth in the 1984 Fitness Range brochure from Pan's World, including Models: Folding Cycle III W/Pump PA-301A; Exerciser PA-302; Home Cycle PA-303; Swing Exercise Bike PA-304; Exercise Bike PA-305; and Exercise PA-306.

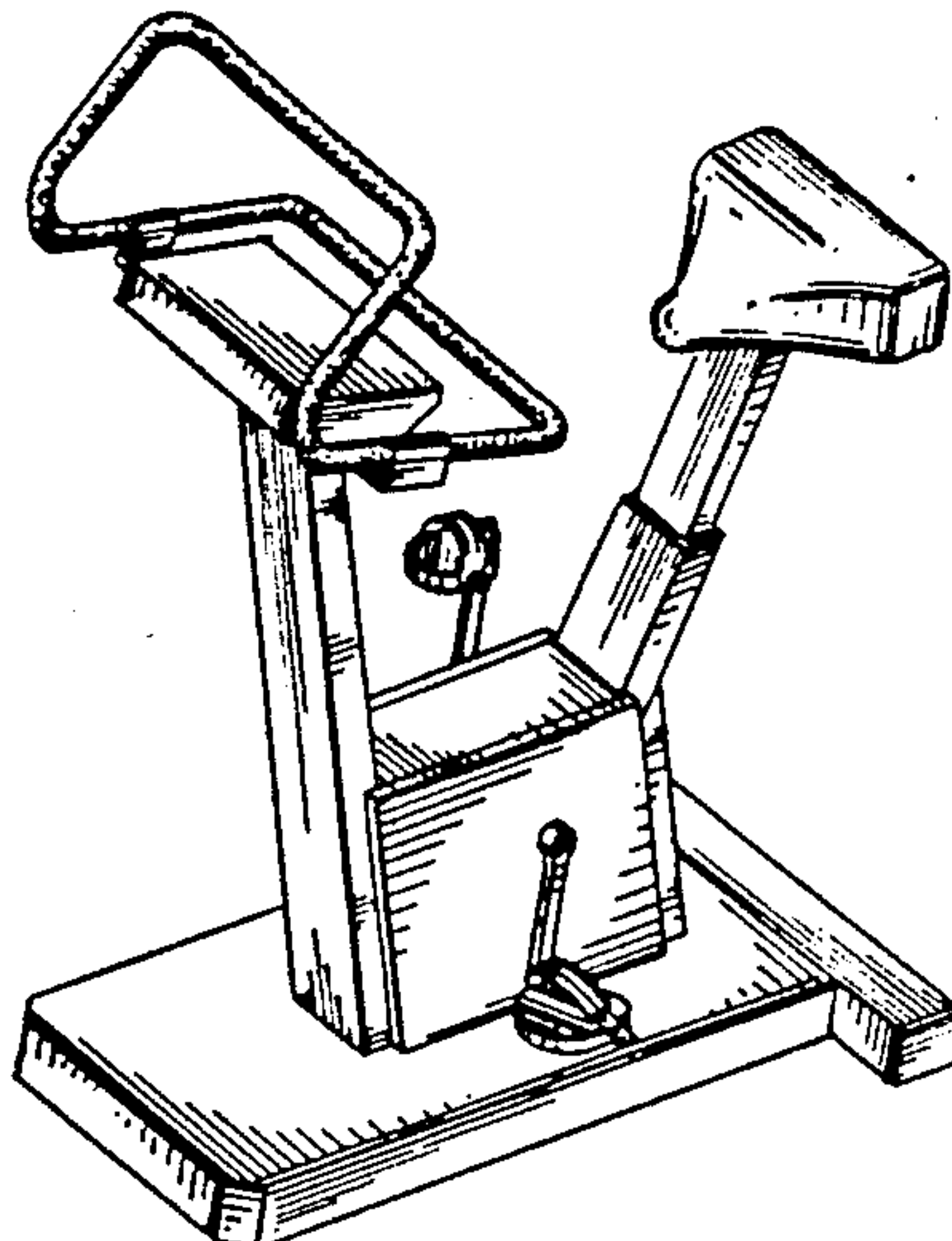
Brochure disclosing an exercise cycle marketed under the designation Dynavit by Keiper USA, Inc.

Brochure disclosing exercise bicycles by Vitamaster, including Models 710 and Pro 1000.

Brochure disclosing various exercise cycles appearing in the Christopheit Sport catalog including the Fittronic; Control 2000; Super Fit and Hobby-Fit.

Brochure disclosing the Aerobicycle by Universal.

Primary Examiner—Charles A. Rademaker



Attorney, Agent, or Firm—Christensen, O'Connor,
Johnson & Kindness

DESCRIPTION

FIG. 1 is a front perspective view of an exercise cycle showing our new design;

FIG. 2 is a side elevational view thereof, the opposite side being substantially a mirror image, with the exception of the pedal and pedal crank extended upward rather than downward;

FIG. 3 is a top plan view thereof;

FIG. 4 is a bottom view thereof;

FIG. 5 is a rear elevational view thereof; and,

FIG. 6 is a front elevational view thereof.

[57]

CLAIM

The ornamental design for an exercise cycle, as shown and described.

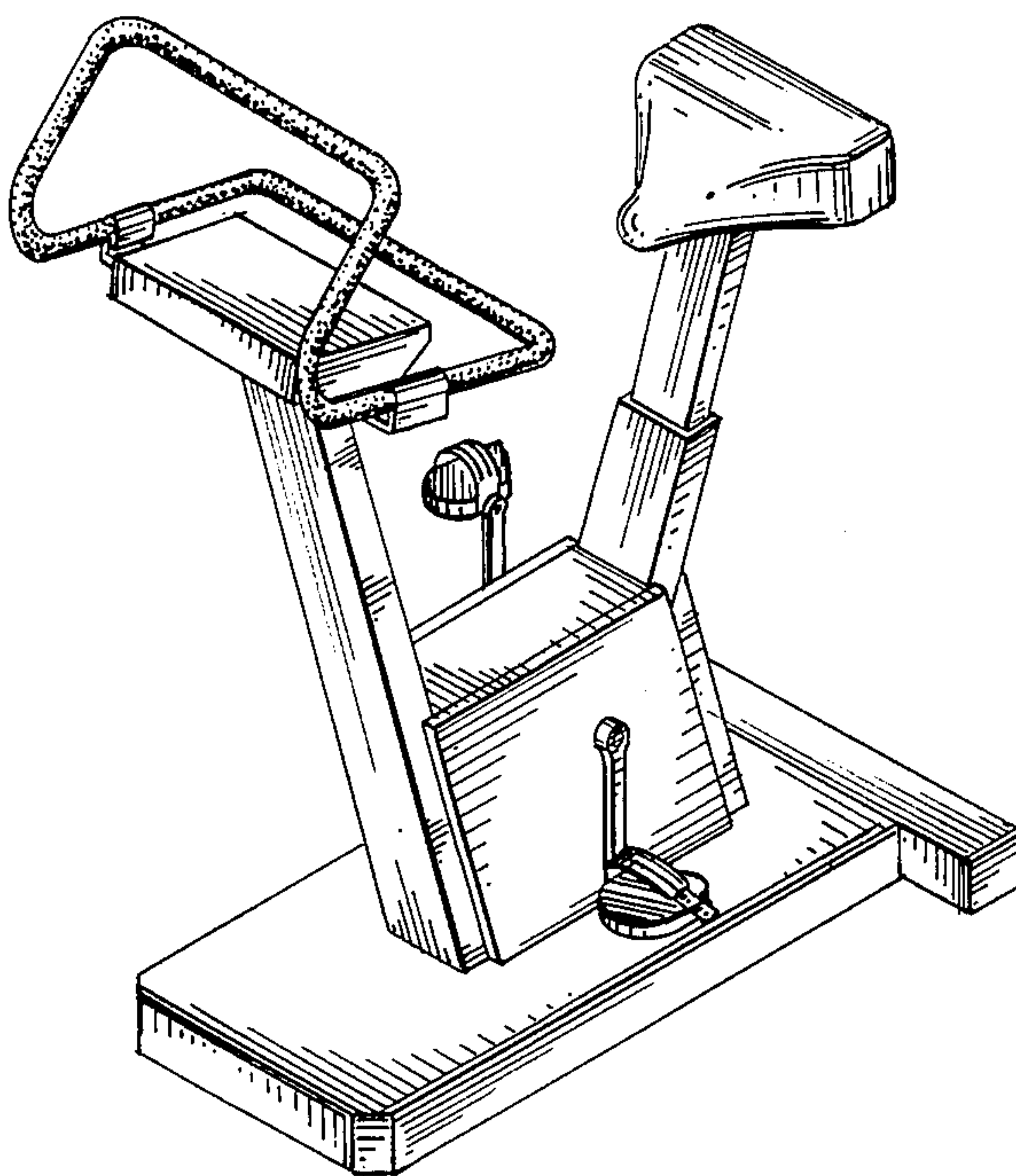


Fig. 1.

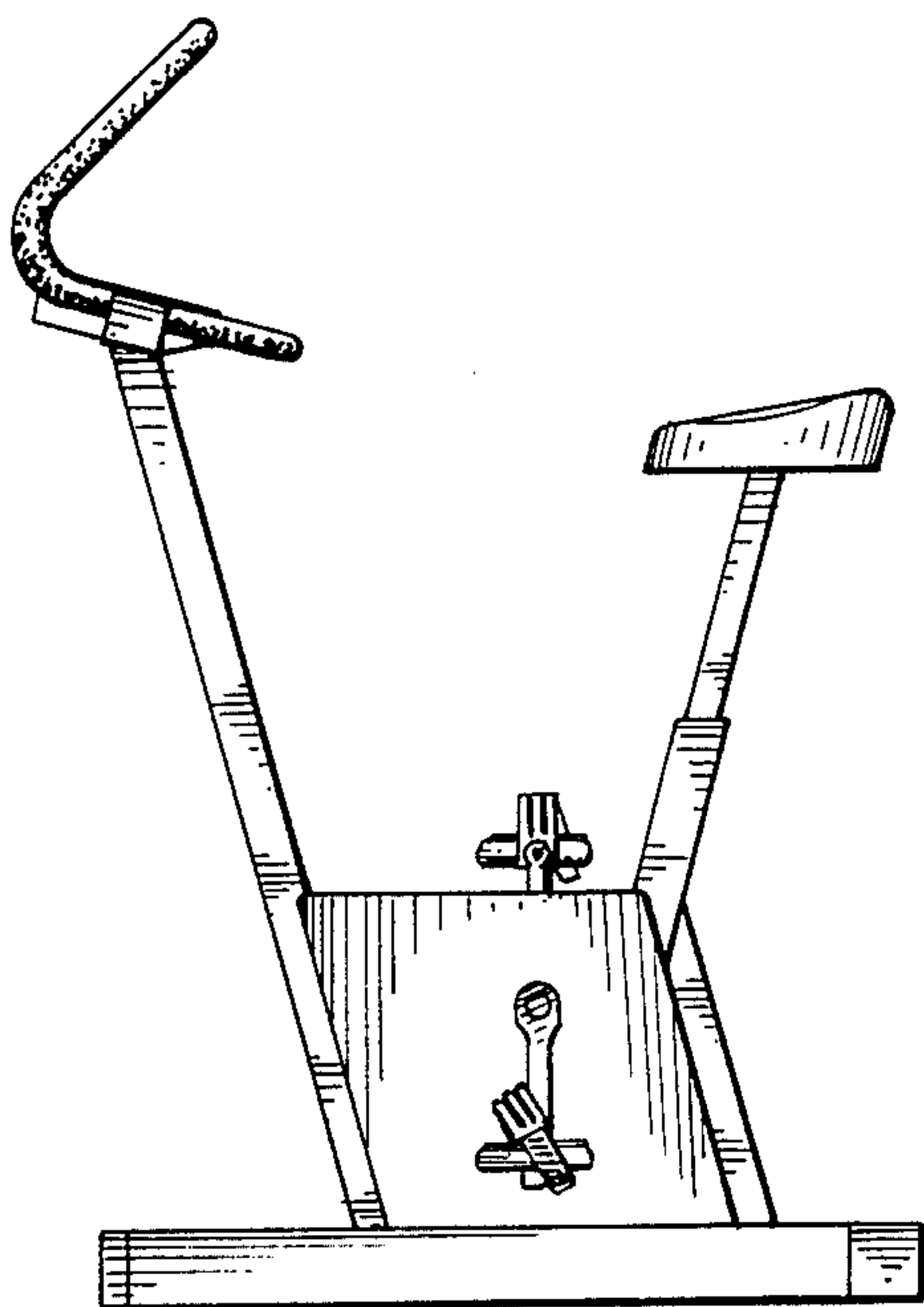


Fig. 2.

Fig. 3.

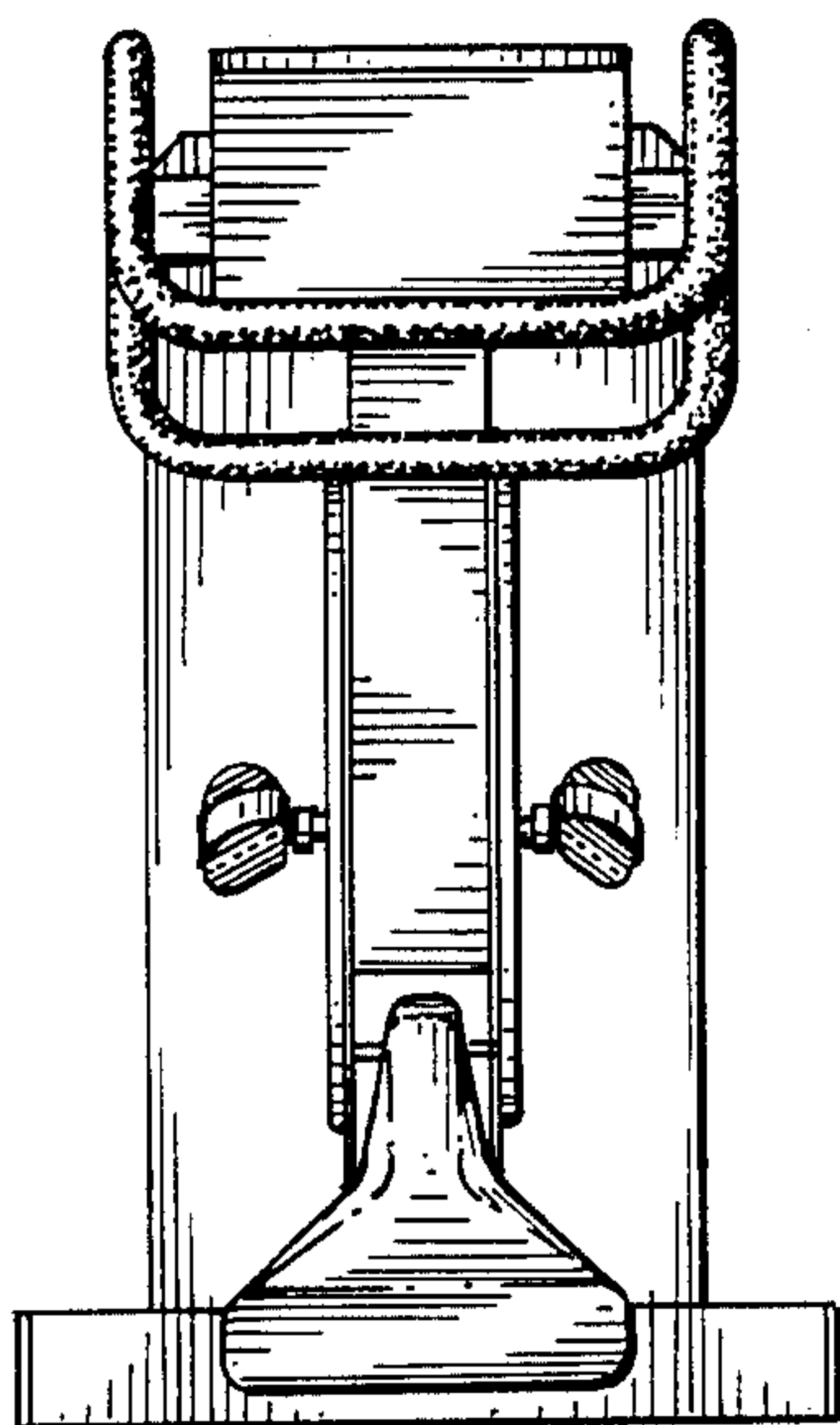


Fig. 4.

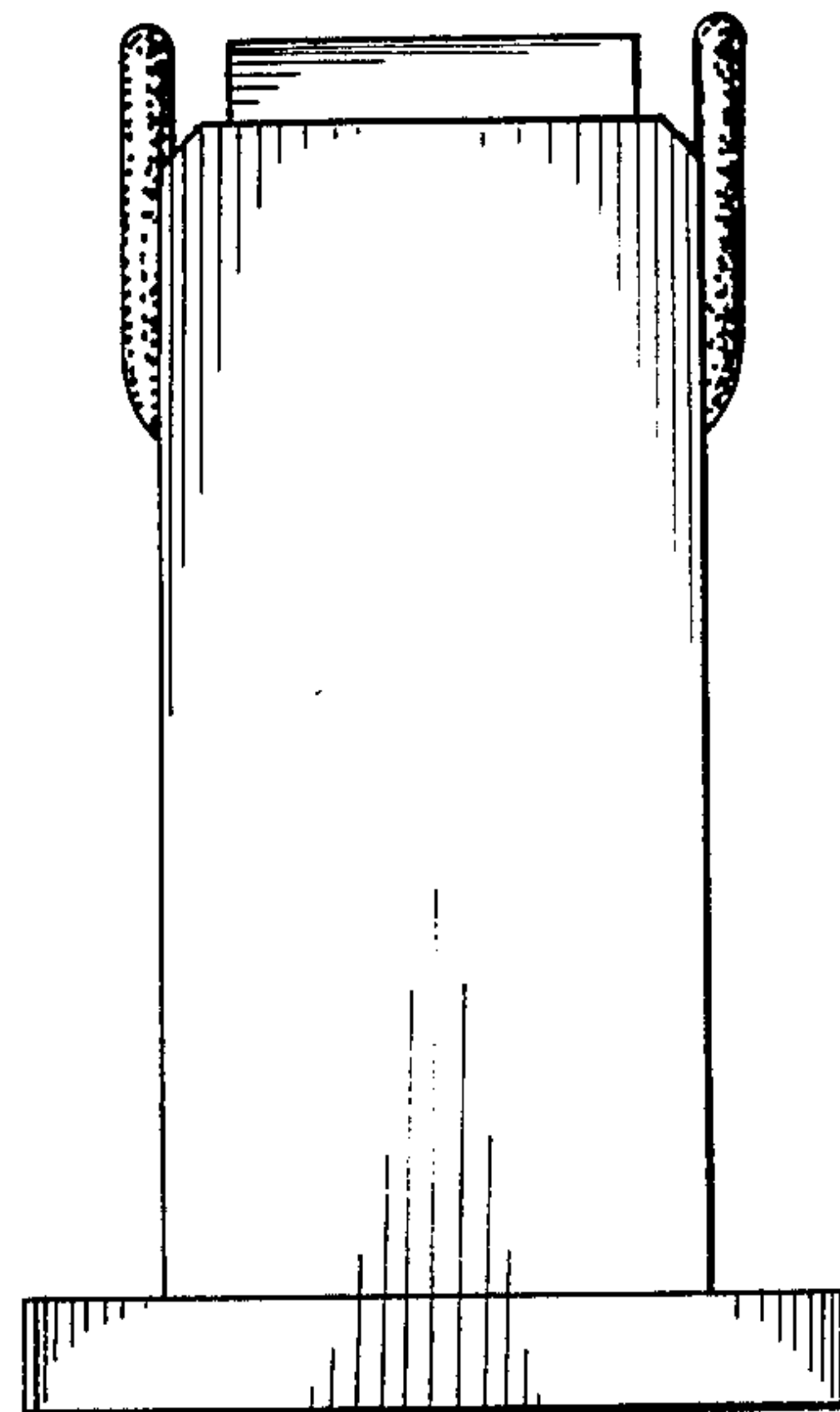


Fig. 5.

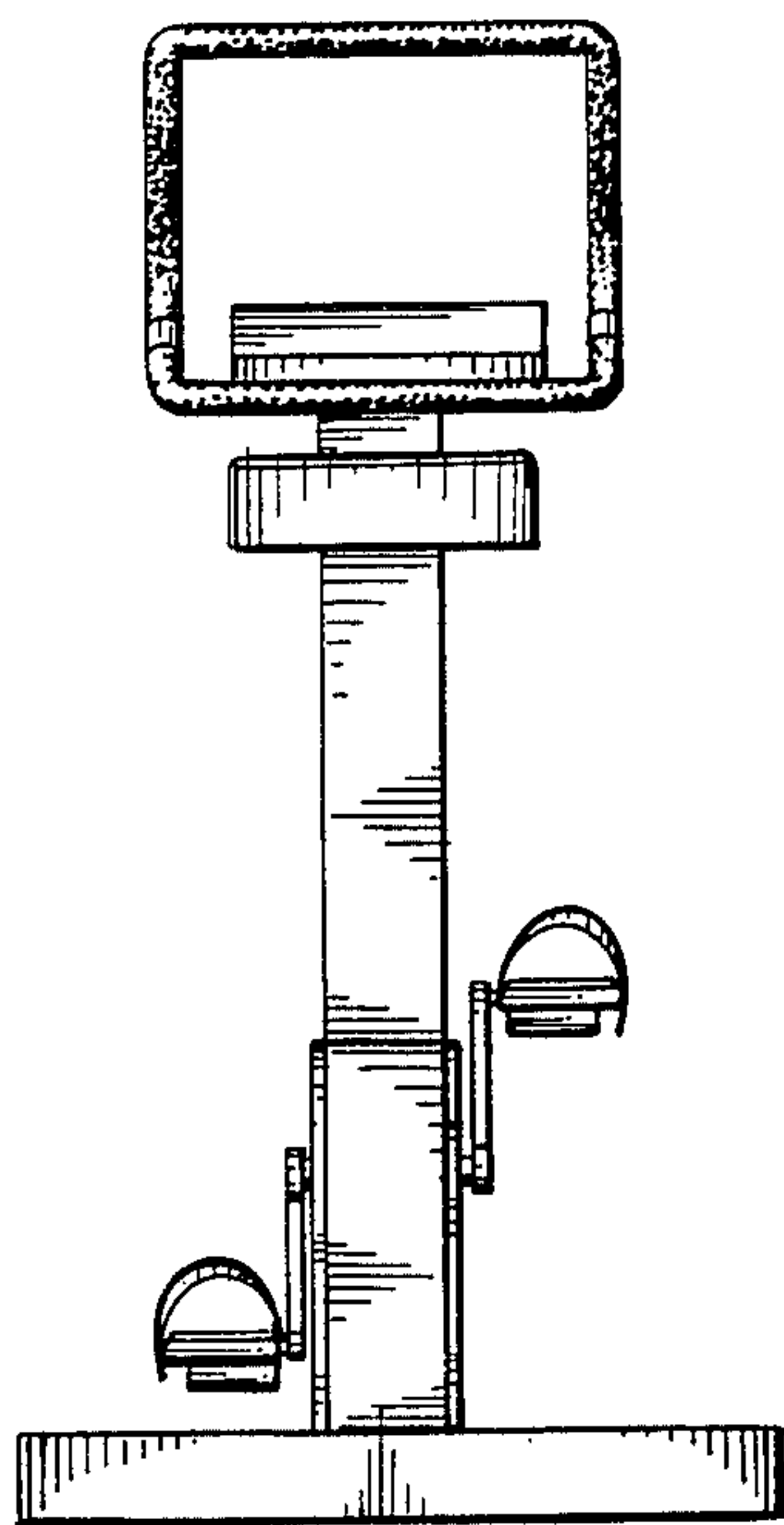


Fig. 6.

