

[54] TOY CONSTRUCTION ELEMENT

[75] Inventor: Niels M. Pedersen, Århus, Denmark

[73] Assignee: Interlego A.G., Switzerland

[\*\*] Term: 14 Years

[21] Appl. No.: 278,146

[22] Filed: Nov. 29, 1988

[52] U.S. Cl. .... D21/108

[58] Field of Search ..... D21/59, 104, 107, 108, D21/109, 114, 115; 446/65, 69, 70, 85, 102, 104, 105, 108, 109, 110, 112, 114, 115, 116, 117, 122, 127

[56] References Cited

U.S. PATENT DOCUMENTS

D. 181,962	1/1958	Ehrmann	.....	D21/108
3,550,311	12/1970	Fouquart	.....	446/102
4,160,337	7/1979	Fischer	.....	446/124
4,325,698	4/1982	Darling et al.	.....	446/102
4,352,255	10/1982	Warehime	.....	446/102
4,548,590	10/1985	Green	.....	446/116

FOREIGN PATENT DOCUMENTS

1216168	5/1966	Fed. Rep. of Germany	.....	446/124
21097	5/1946	Finland	.....	446/127
1247514	9/1971	United Kingdom	.....	446/124

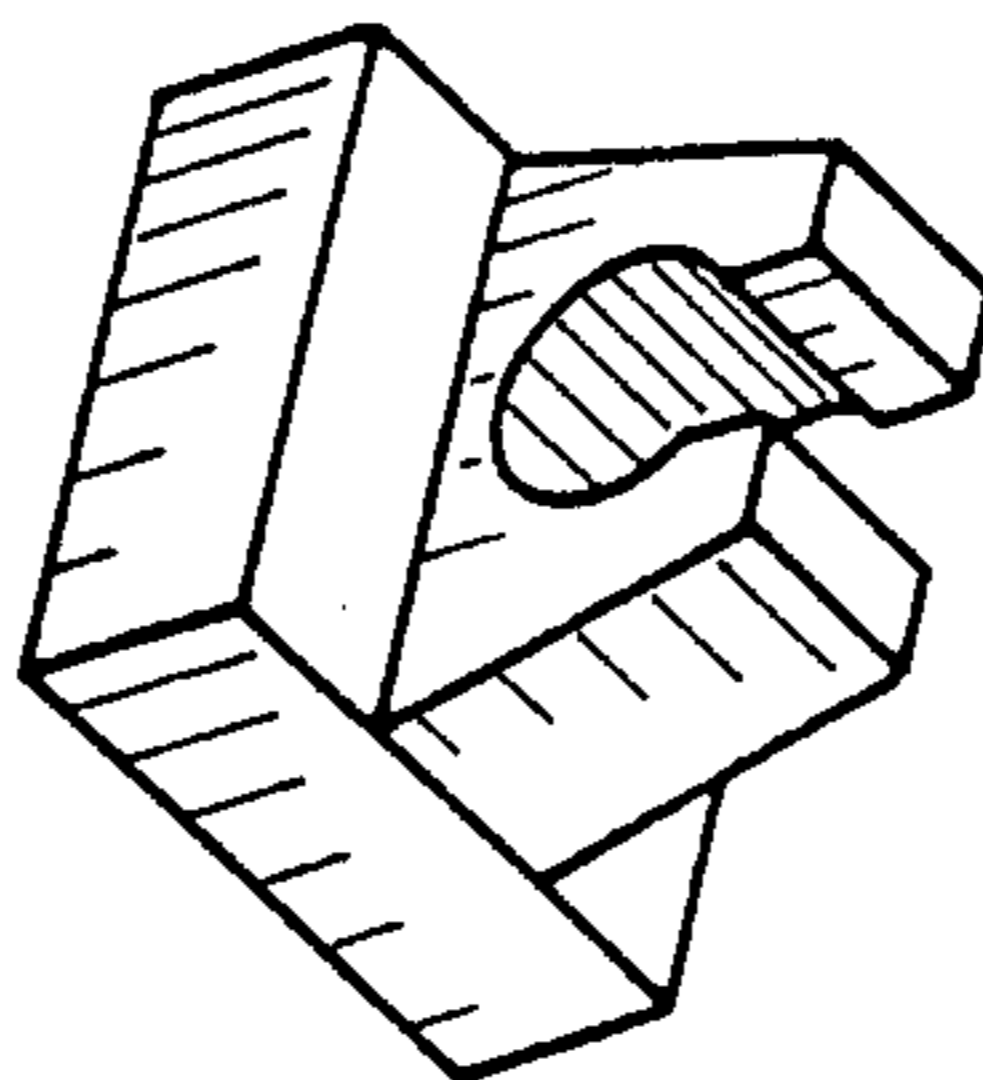
Primary Examiner—Charles A. Rademaker  
Assistant Examiner—Alicia A. Farrell  
Attorney, Agent, or Firm—Kane, Dalsimer, Sullivan, Kurucz, Levy, Eisele and Richard

[57] CLAIM

The ornamental design for a toy construction element, as shown and described.

DESCRIPTION

FIG. 1 is a top perspective view of a toy construction element showing my new design;  
FIG. 2 is a bottom perspective view thereof;  
FIG. 3 is a front elevational view thereof, the rear elevational view being identical;  
FIG. 4 is a top plan view thereof;  
FIG. 5 is a bottom plan view thereof; and  
FIG. 6 is a side elevational view thereof, the side opposite being identical.



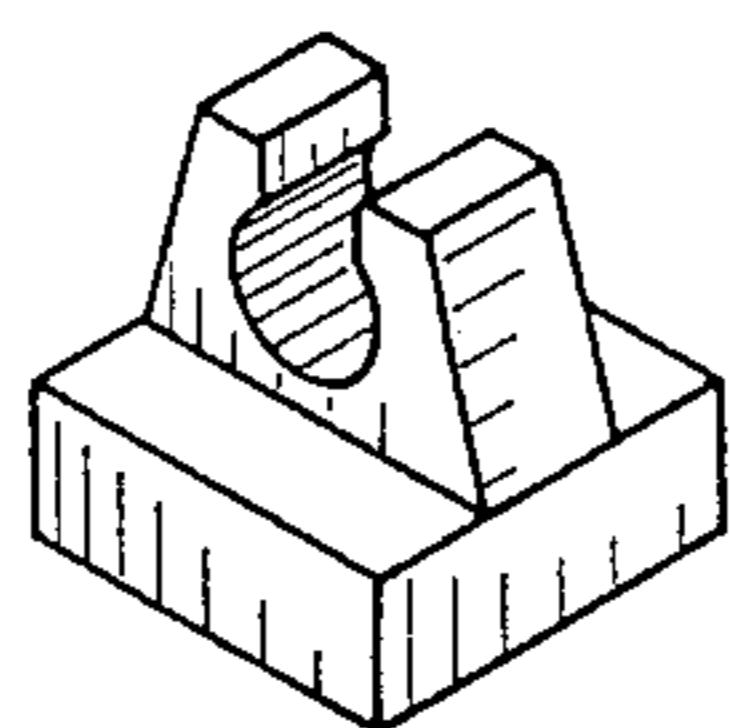
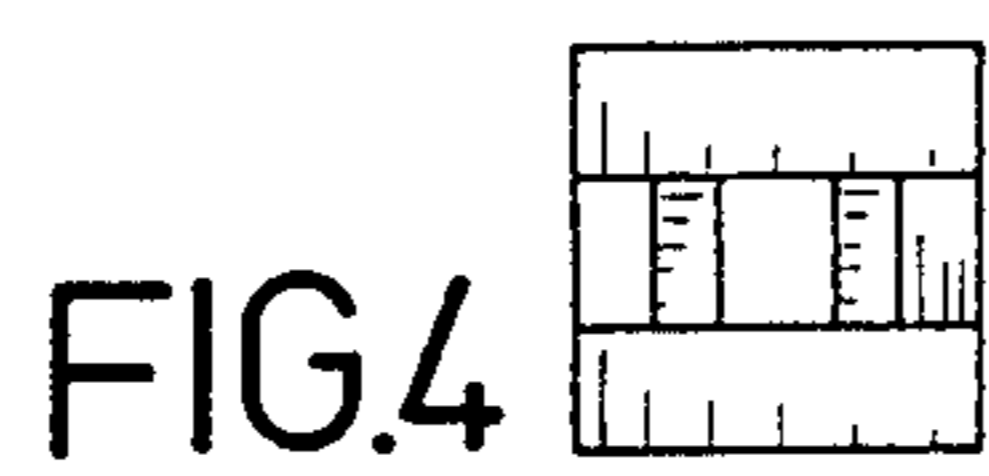


FIG.1

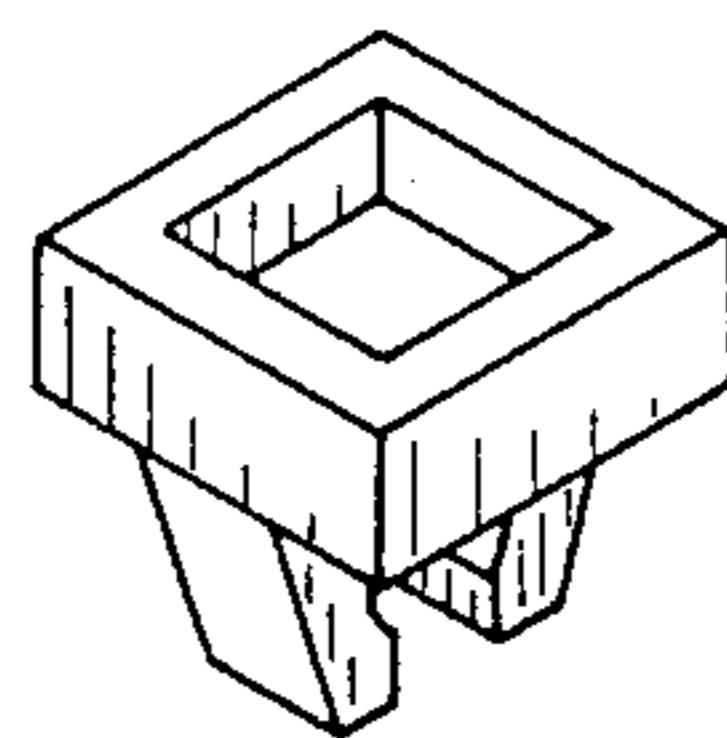


FIG.2