

[54] **AERIAL TOY**
[76] **Inventor: Donald R. Colton, 326 Hayes St.,
Hollywood, Fla. 33019**
[**] **Term: 14 Years**
[21] **Appl. No.: 70,504**
[22] **Filed: Jul. 6, 1987**
[52] **U.S. Cl. D21/82; D21/89**
[58] **Field of Search D21/82, 84, 85-92;
446/34, 36-47, 61-68, 397**

4,280,673 7/1981 Brzack 244/13
4,387,531 6/1983 Jacob 446/397

Primary Examiner—Charles A. Rademaker
Attorney, Agent, or Firm—Richard M. Saccocio

[57] **CLAIM**

The ornamental design for an aerial toy, as shown and described.

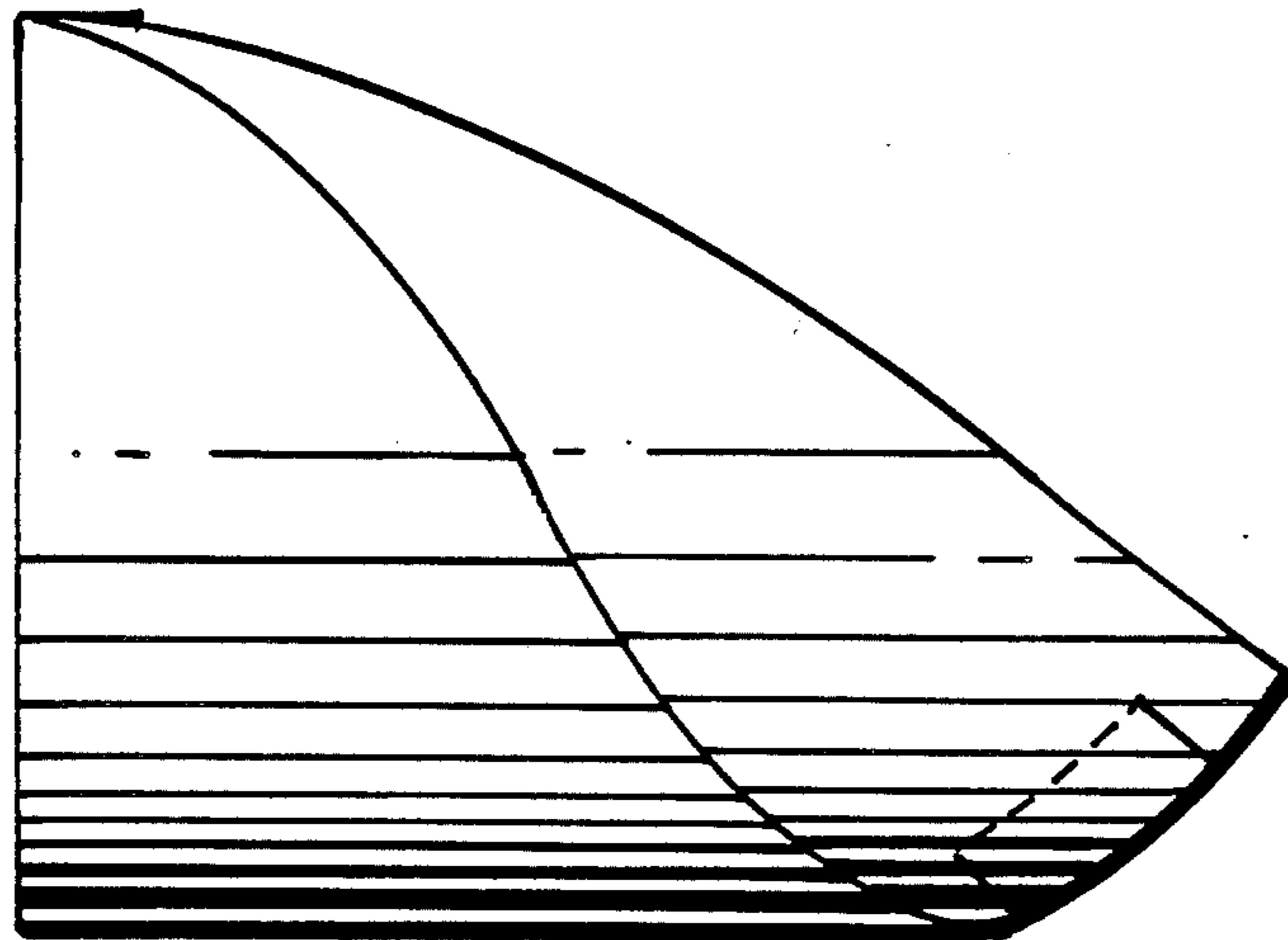
DESCRIPTION

FIG. 1 is a perspective view of an aerial toy showing my new design;
FIG. 2 is a top plan view thereof;
FIG. 3 is a left side elevational view thereof;
FIG. 4 is a bottom plan view thereof;
FIG. 5 is a right side elevational view thereof;
FIG. 6 is a front elevational view thereof; and
FIG. 7 is a rear elevational view thereof.

[56] **References Cited**

U.S. PATENT DOCUMENTS

3,264,776 8/1966 Morrow 446/34
3,600,842 8/1971 Bryman 46/6
4,246,721 1/1981 Bowers 446/61



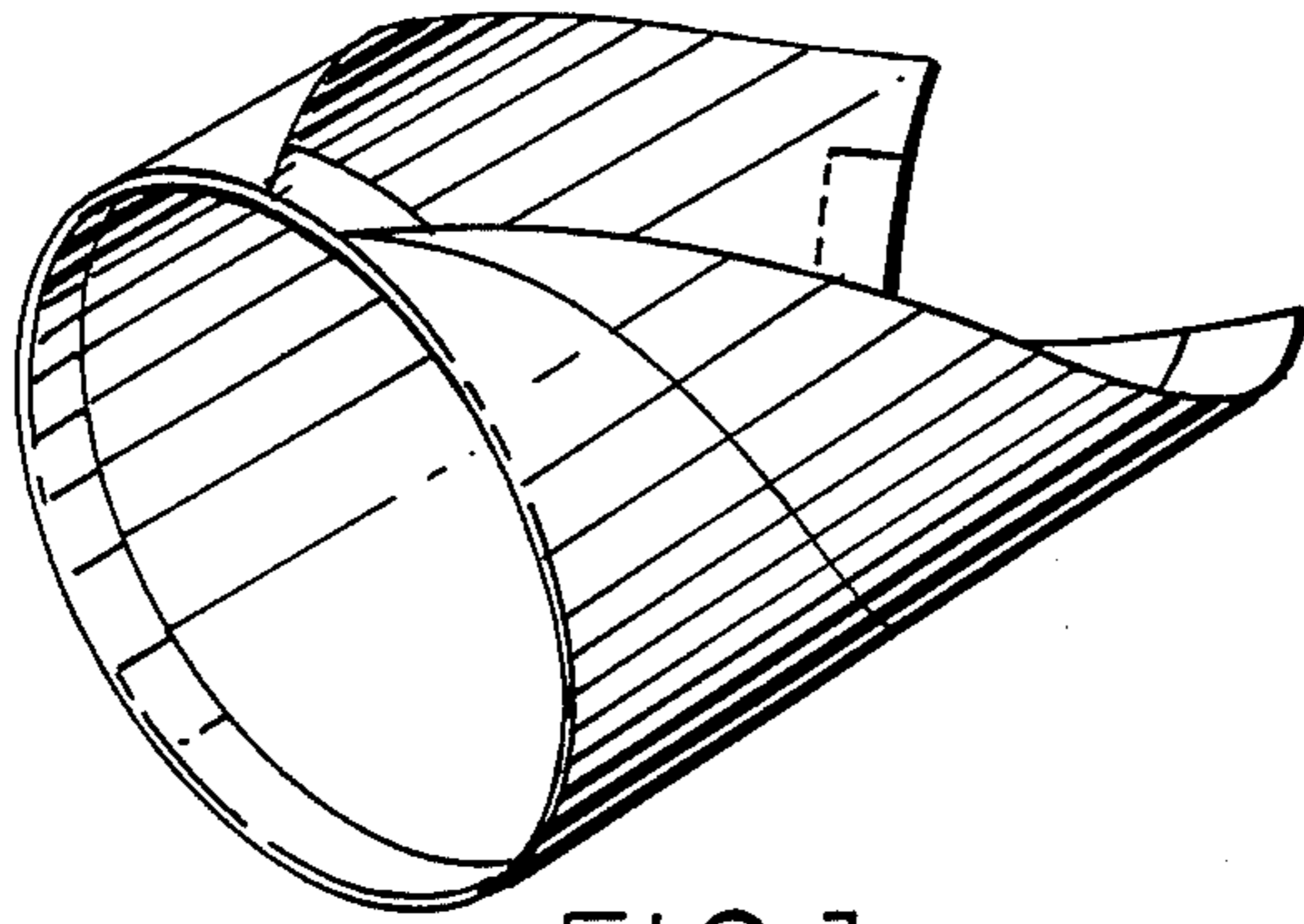


FIG. 1

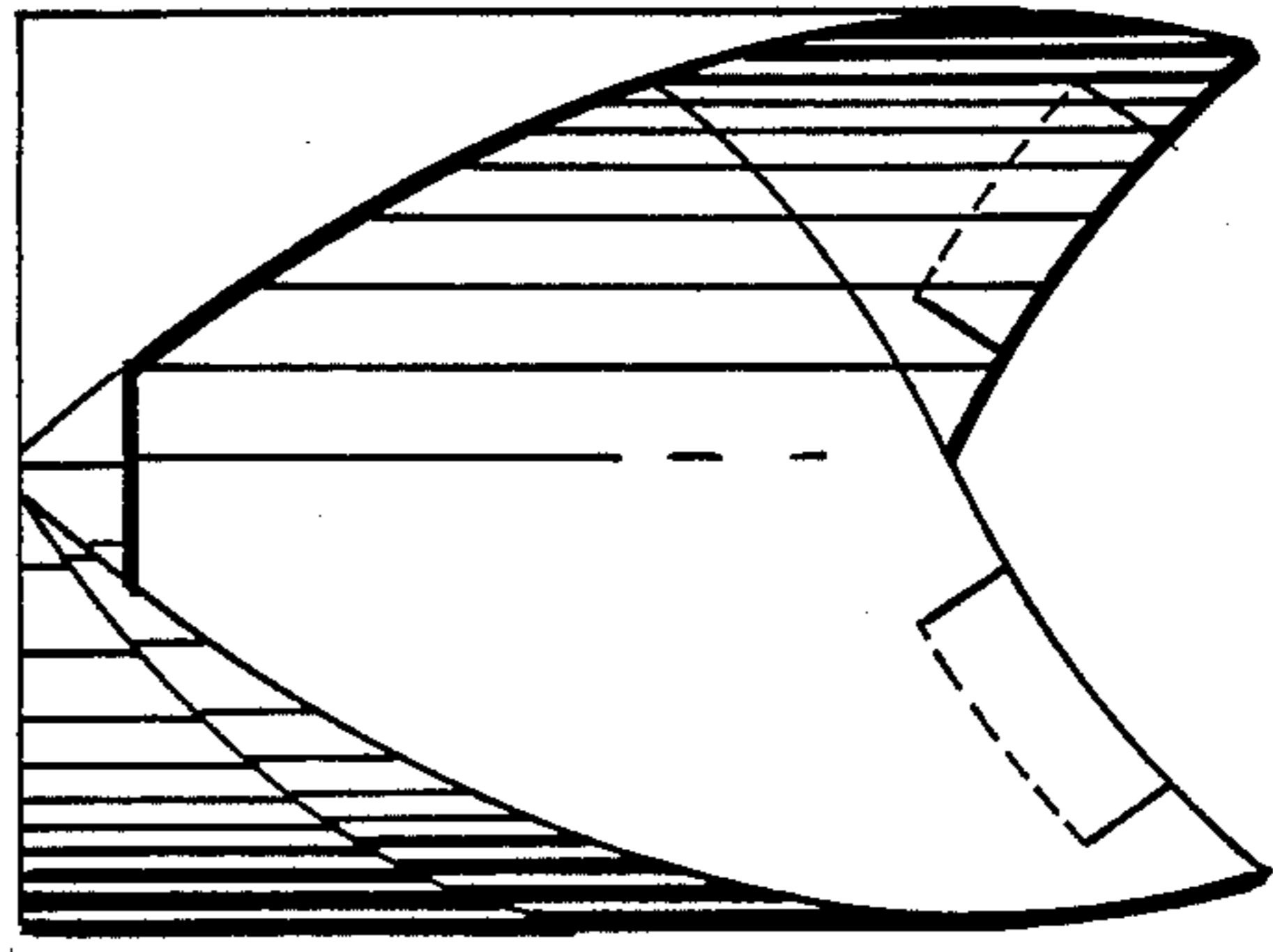


FIG. 2

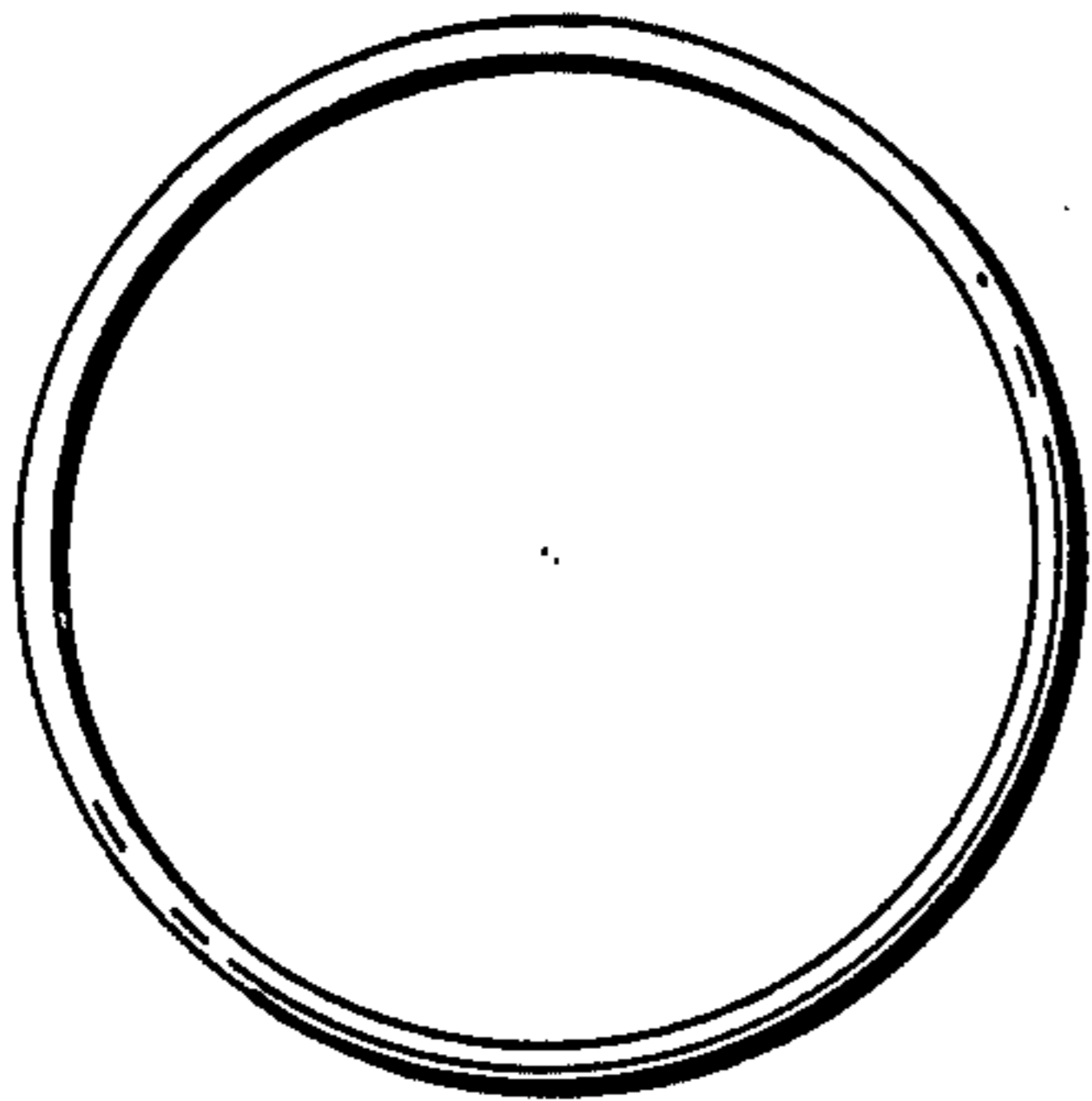


FIG. 6

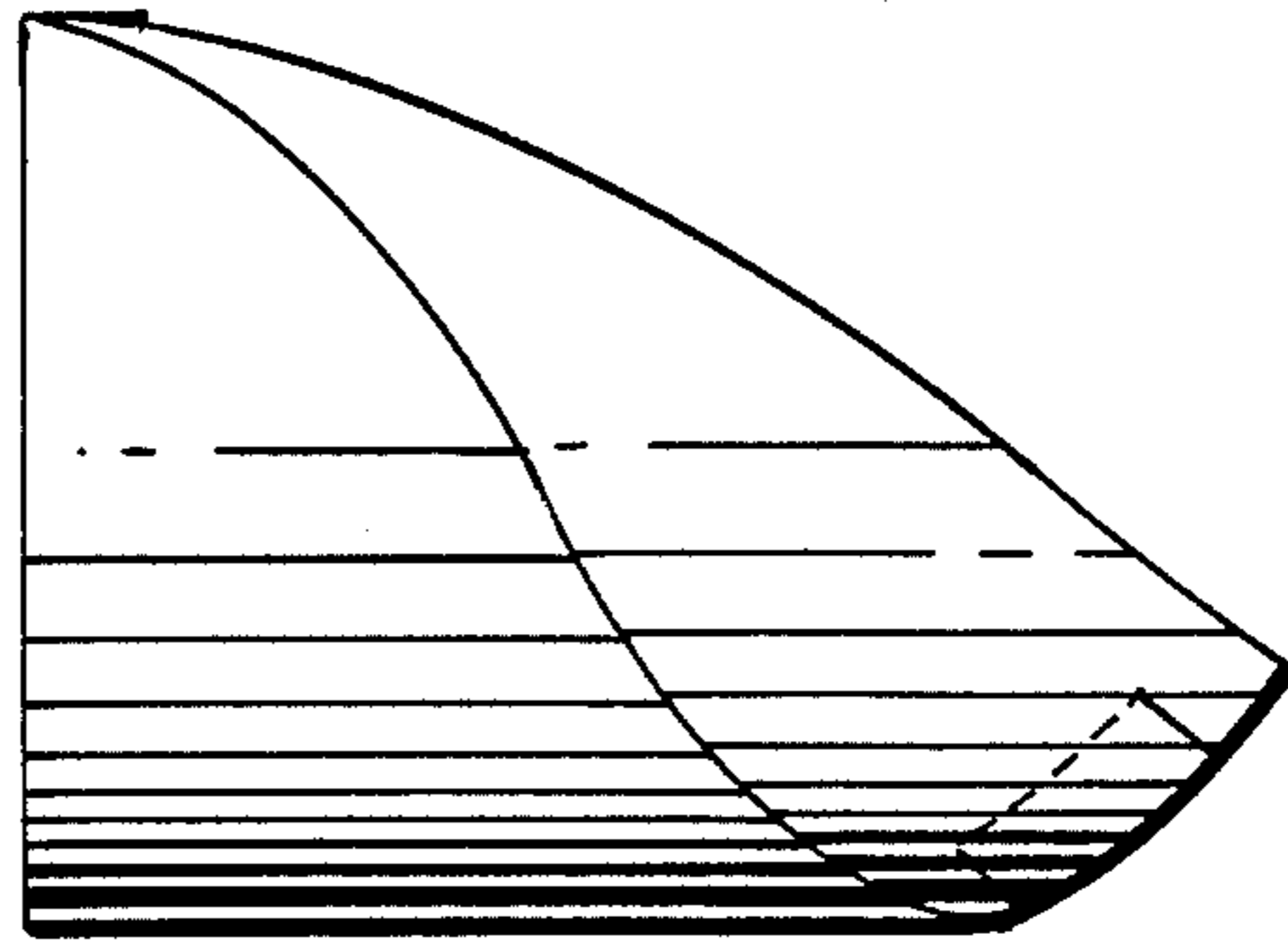


FIG. 3

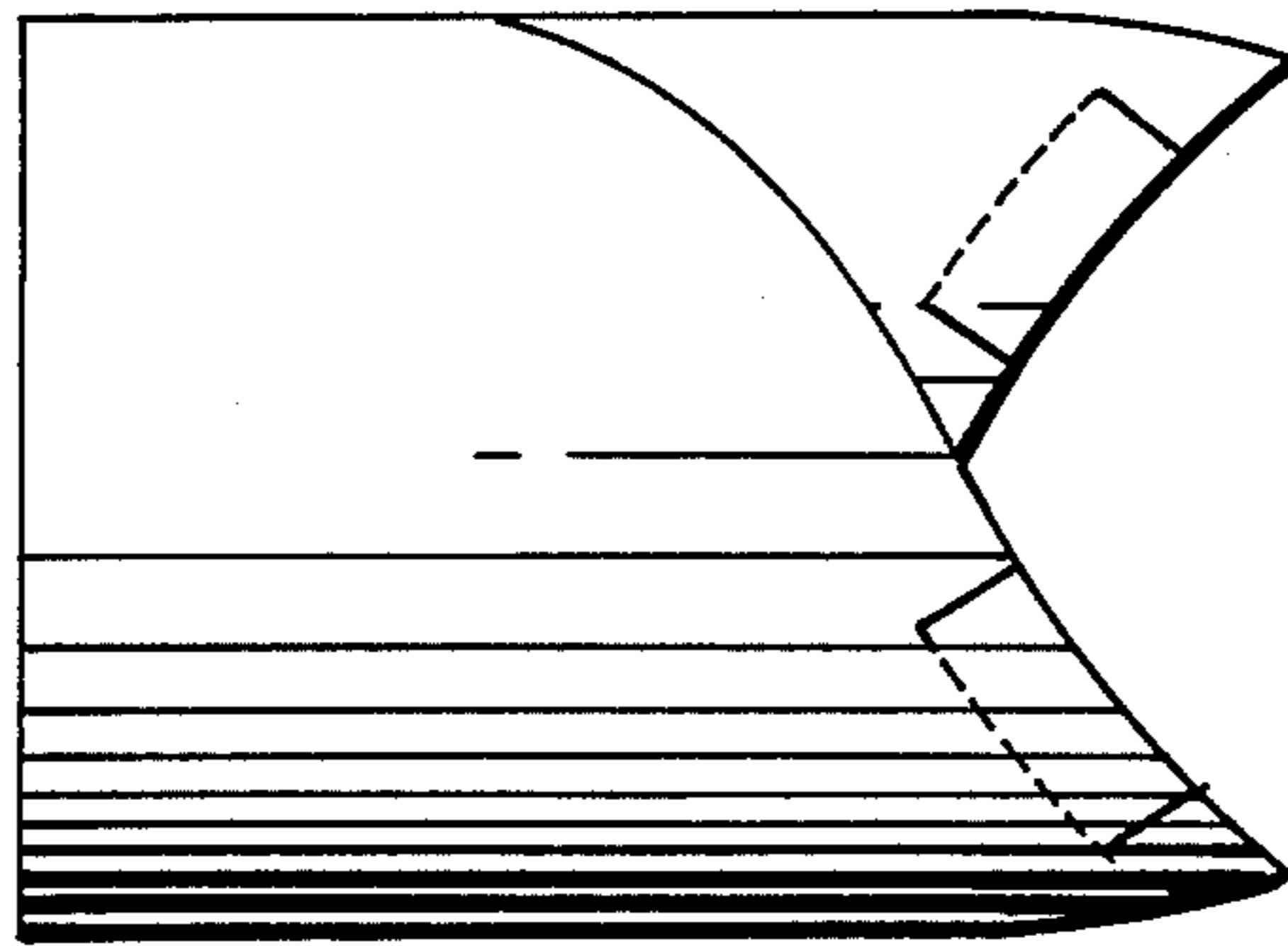


FIG. 4

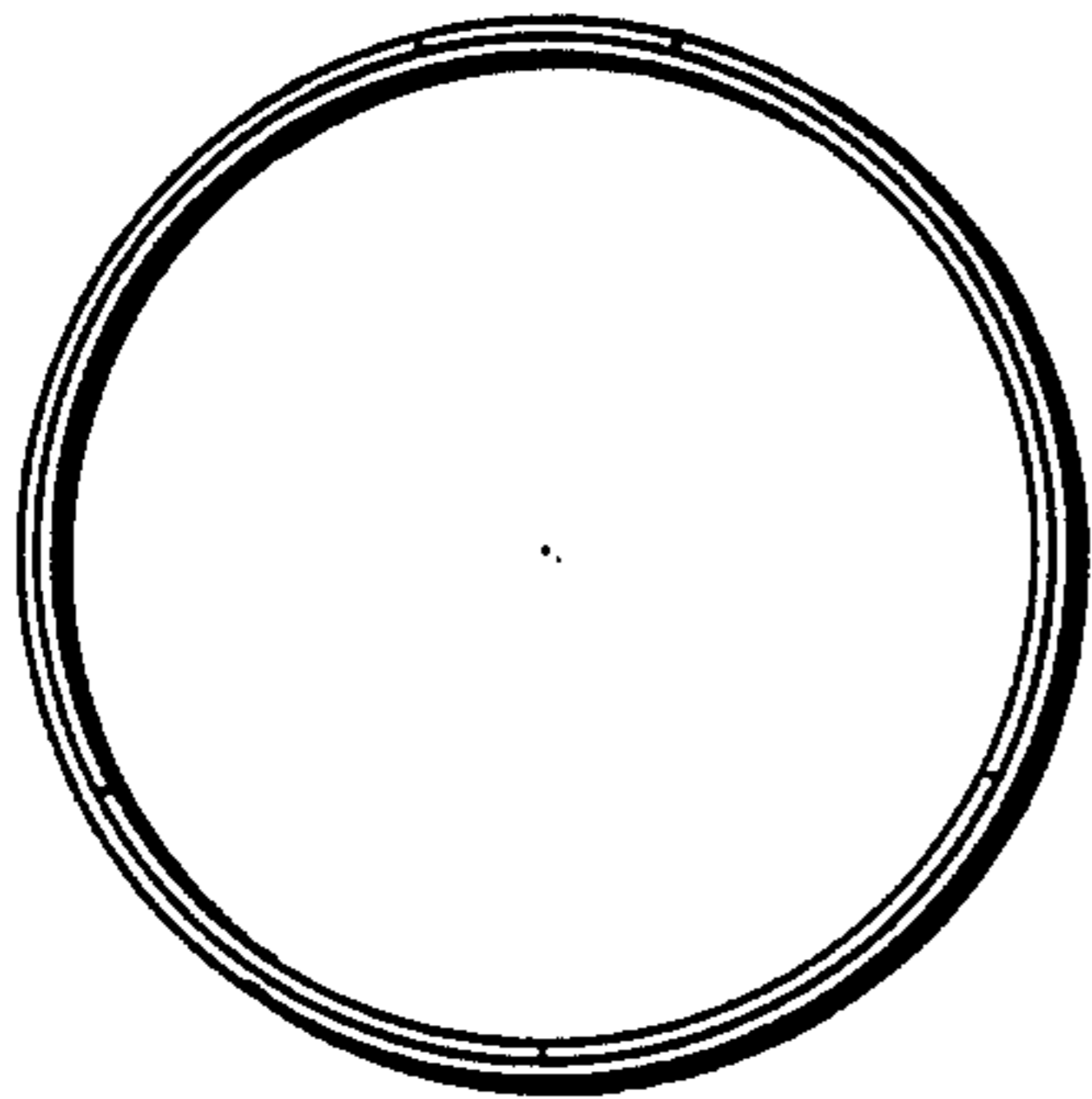


FIG. 7

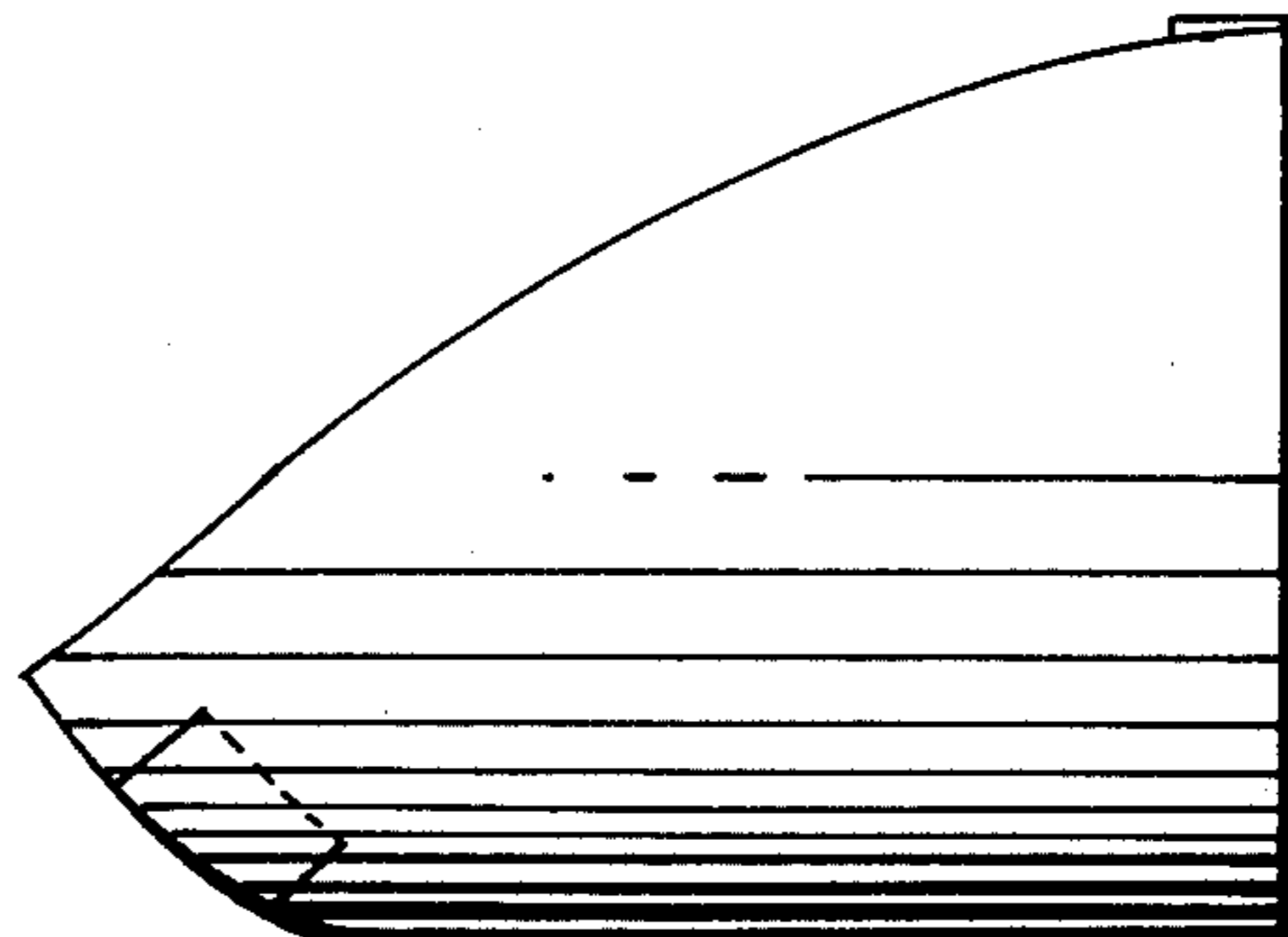


FIG. 5