

[54] ELECTRICALLY ILLUMINATED HOUSE SIGN

4,452,000 6/1984 Gandy 40/156
4,674,213 6/1987 Keithley 40/584

[75] Inventor: Monte L. Levin, New York, N.Y.

Primary Examiner—Wallace R. Burke

Assistant Examiner—Marcus Jackson

[73] Assignee: Trine Products Corporation, Bronx, N.Y.

Attorney, Agent, or Firm—Brooks Haidt Haffner &

Delahunty

[**] Term: 14 Years

[57] CLAIM

[21] Appl. No.: 152,082

The ornamental design for an electrically illuminated house sign, as shown and described.

[22] Filed: Feb. 3, 1988

[52] U.S. Cl. D20/17; D20/10

DESCRIPTION

[58] Field of Search D20/10, 17, 18, 19;
362/812; 40/431, 441, 542, 544, 545, 547, 551,
570, 572, 573, 568, 569

FIG. 1 is a perspective view of a electrically illuminated house sign showing my new design, with the broken lines shown for illustrative purposes only;

FIG. 2 is a left side elevational view thereof;

FIG. 3 is a top plan view thereof;

FIG. 4 is a bottom plan view thereof;

FIG. 5 is a front elevational view thereof, with the broken lines shown for illustrative purposes only;

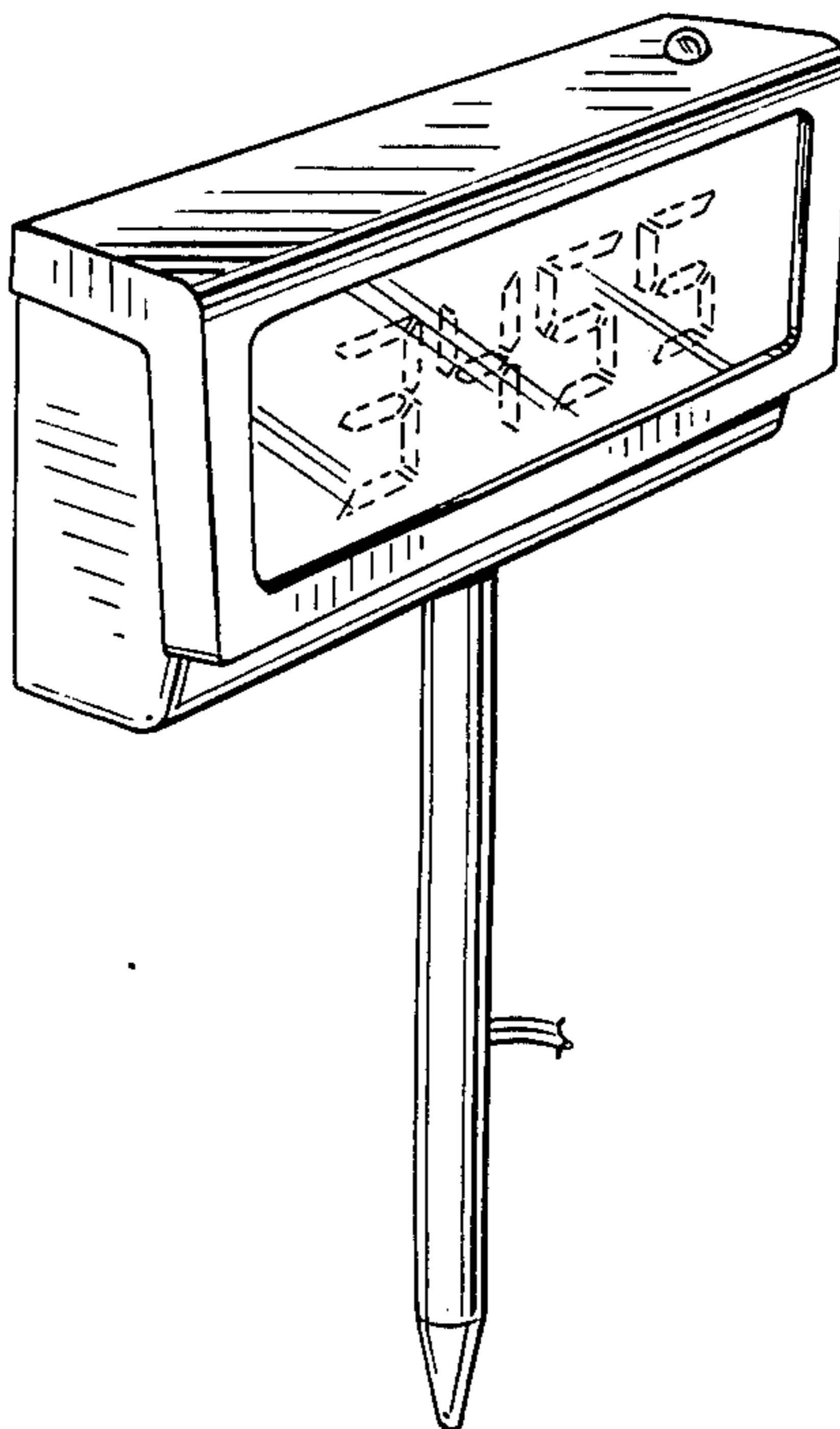
FIG. 6 is a right side elevational view thereof;

FIG. 7 is a rear elevational view thereof.

[56] References Cited

U.S. PATENT DOCUMENTS

D. 177,482	4/1956	Plishker	D20/17
1,668,799	5/1928	Bergan	362/812
1,885,776	11/1932	Smith	362/812
4,317,302	3/1982	Von DeLinde	40/156



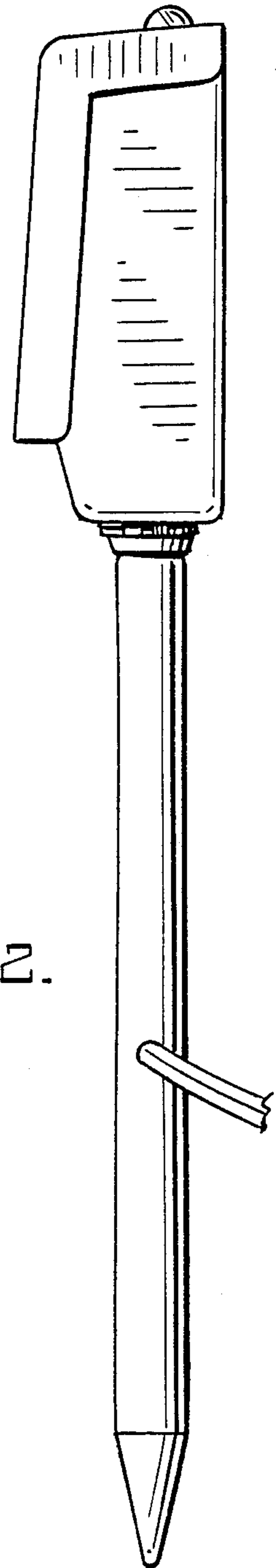
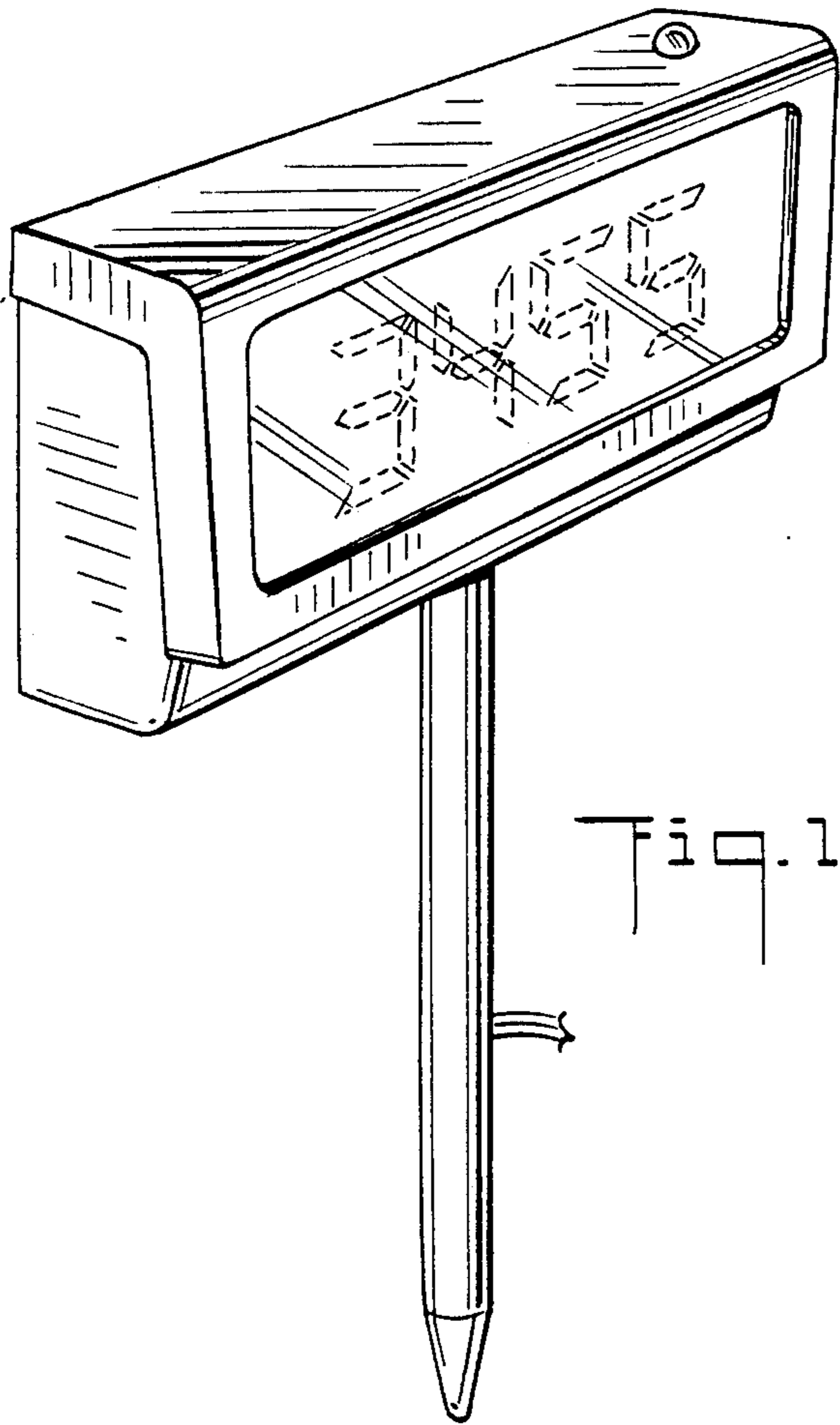


Fig. 3.

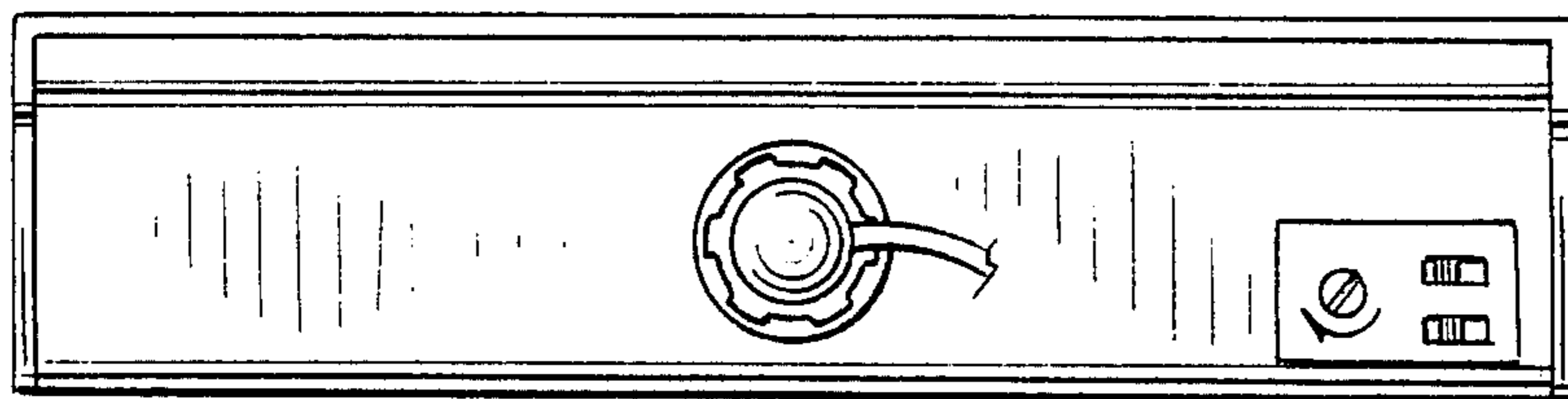
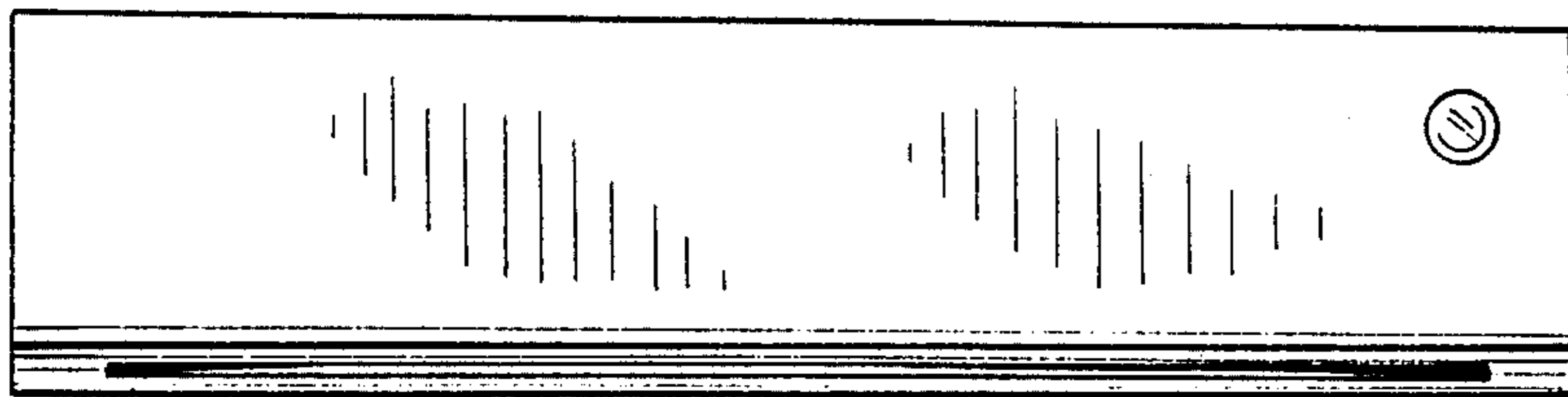


Fig. 4.

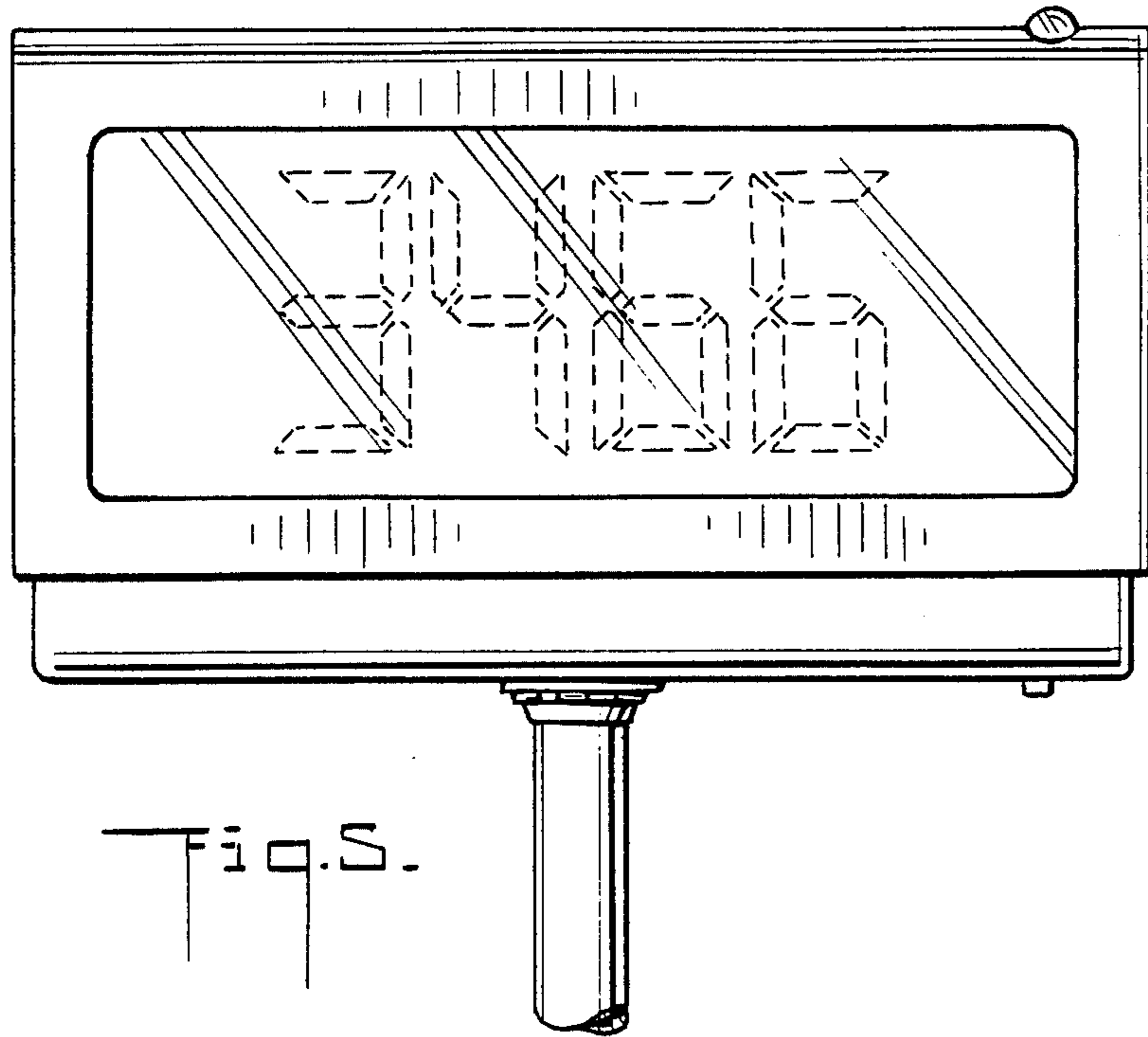


Fig. 6.

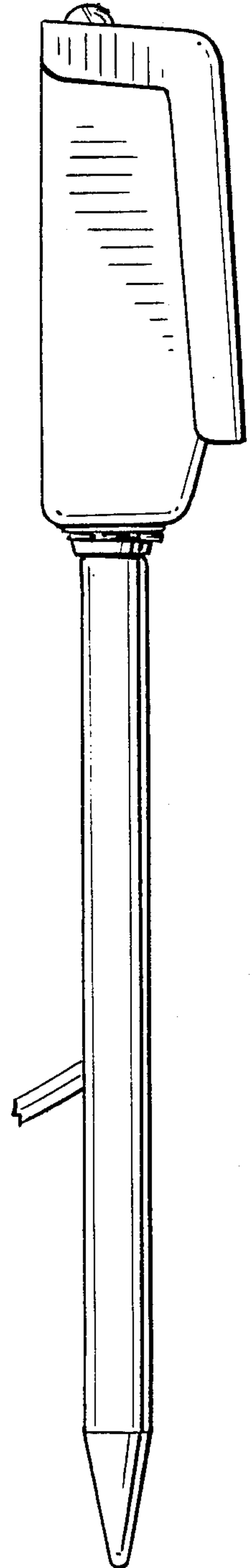


Fig. 7.

