

[54] HOUSING FOR MUSICAL INSTRUMENT

[76] Inventor: Le Roi J. Ryan, P.O. Box 11404, Chicago, Ill. 60611

[\*\*] Term: 14 Years

[21] Appl. No.: 93,868

[22] Filed: Sep. 8, 1987

[52] U.S. Cl. .... D17/6; D17/1; D17/5

[58] Field of Search ..... D17/1, 2, 5, 6, 7, 8, D17/9; 84/172, 176, 177, 178, 179, 180, DIG. 17, DIG. 25

[56] References Cited

U.S. PATENT DOCUMENTS

|            |        |           |       |       |
|------------|--------|-----------|-------|-------|
| D. 113,021 | 1/1939 | Stephens  | ..... | D17/7 |
| D. 146,243 | 1/1947 | Zaiser    | ..... | D17/7 |
| D. 207,347 | 4/1967 | Ryan, Jr. | ..... | D17/6 |
| D. 207,975 | 6/1967 | Ryan, Jr. | ..... | D17/6 |

|           |        |              |       |            |
|-----------|--------|--------------|-------|------------|
| 2,555,040 | 5/1951 | Jordan       | ..... | 84/DIG. 25 |
| 3,461,217 | 8/1969 | Omura et al. | ..... | 84/DIG. 25 |

Primary Examiner—Bernard Ansher  
Assistant Examiner—Adir Aronovich  
Attorney, Agent, or Firm—Lloyd L. Zickert

[57] CLAIM

The ornamental design of a housing for a musical instrument, as shown and described.

DESCRIPTION

FIG. 1 is a front perspective view of a housing for musical instrument showing my new design; FIG. 2 is a top plan view thereof; FIG. 3 is a left side elevational view, the right side elevational view being substantially a mirror image of the side shown; and FIG. 4 is a rear elevational view thereof. The broken-line showing of keys, control buttons and pedals is for illustrative purposes only and forms no part of the claimed design.

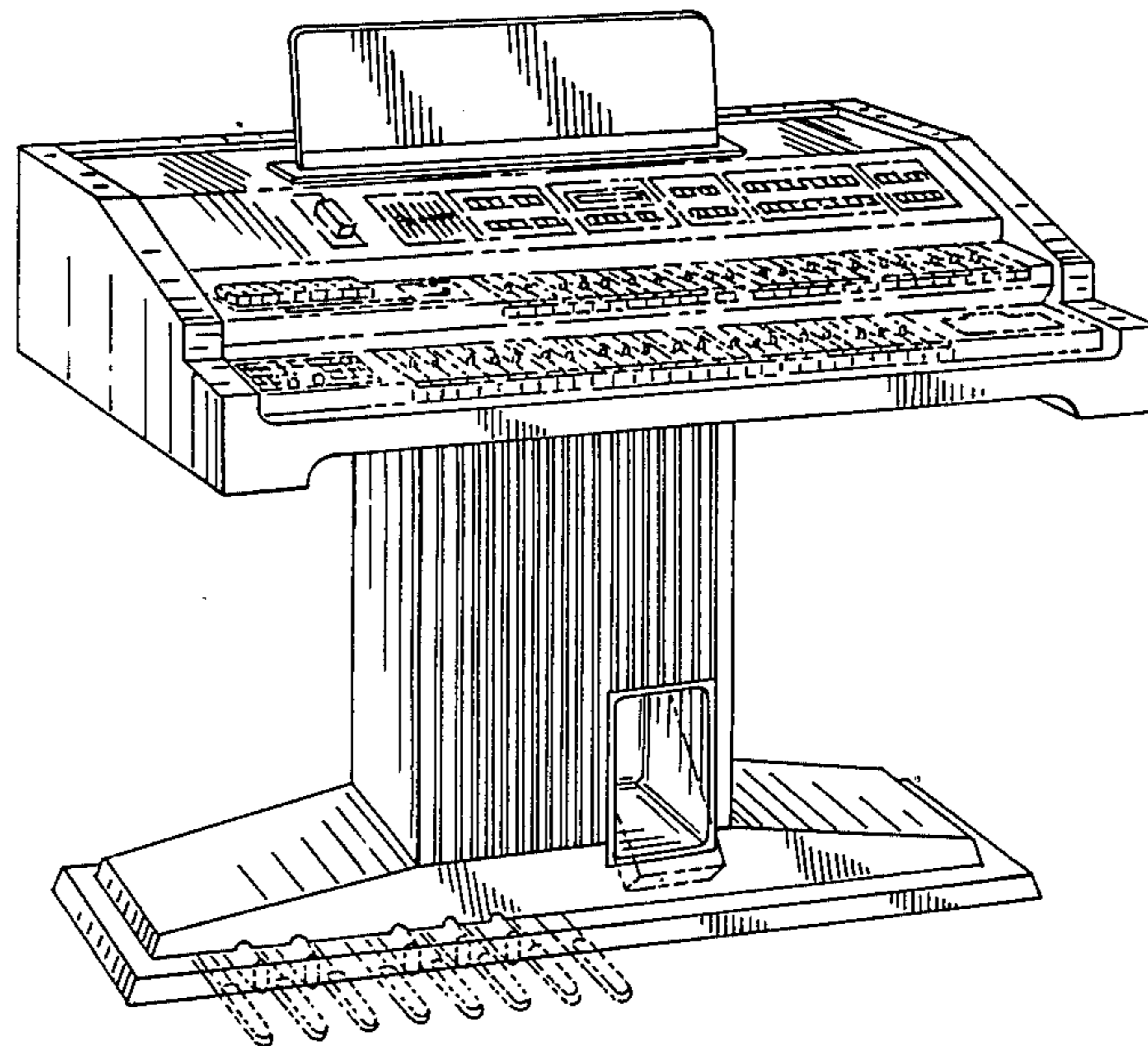


FIG. 1

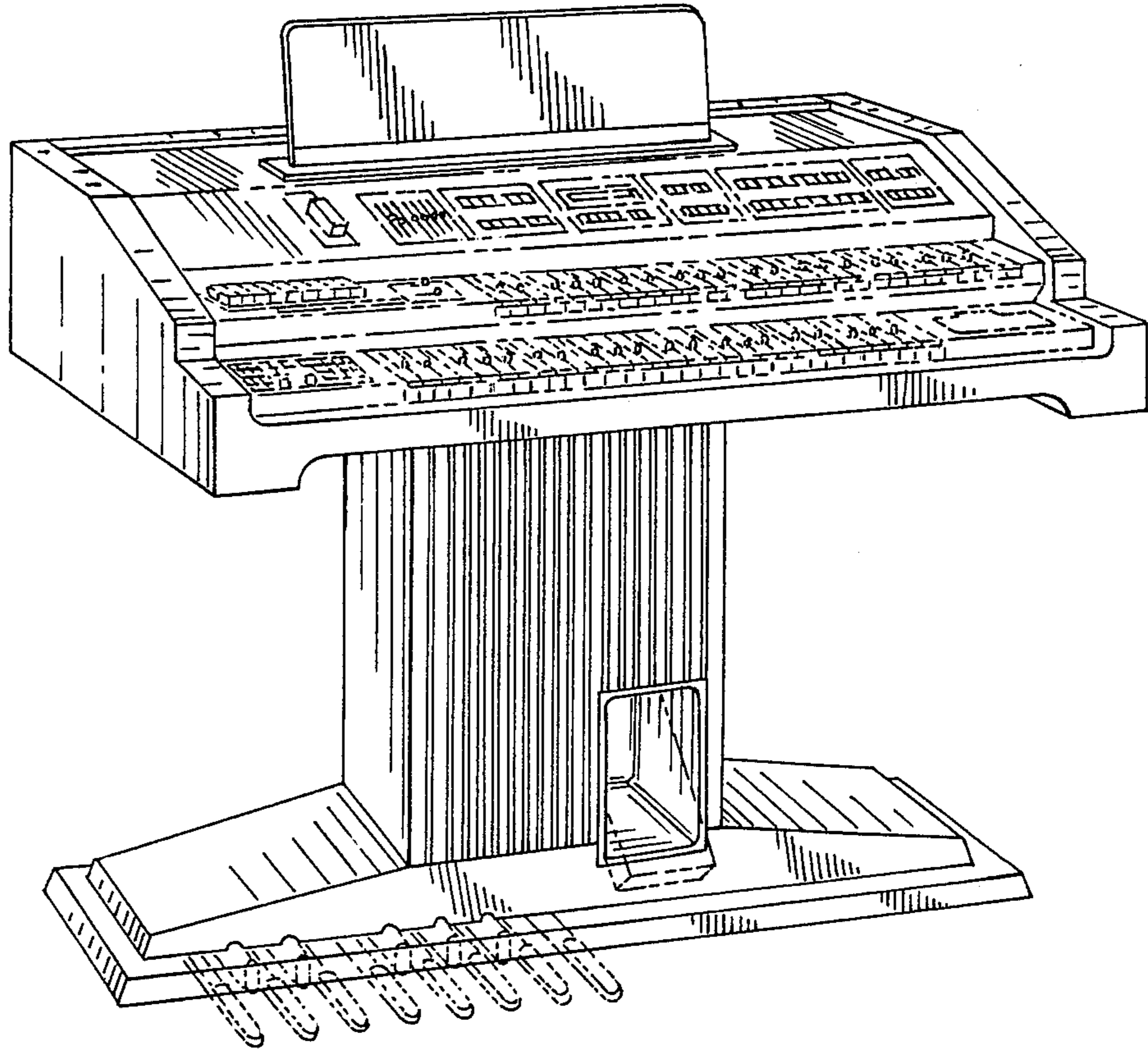


FIG. 2

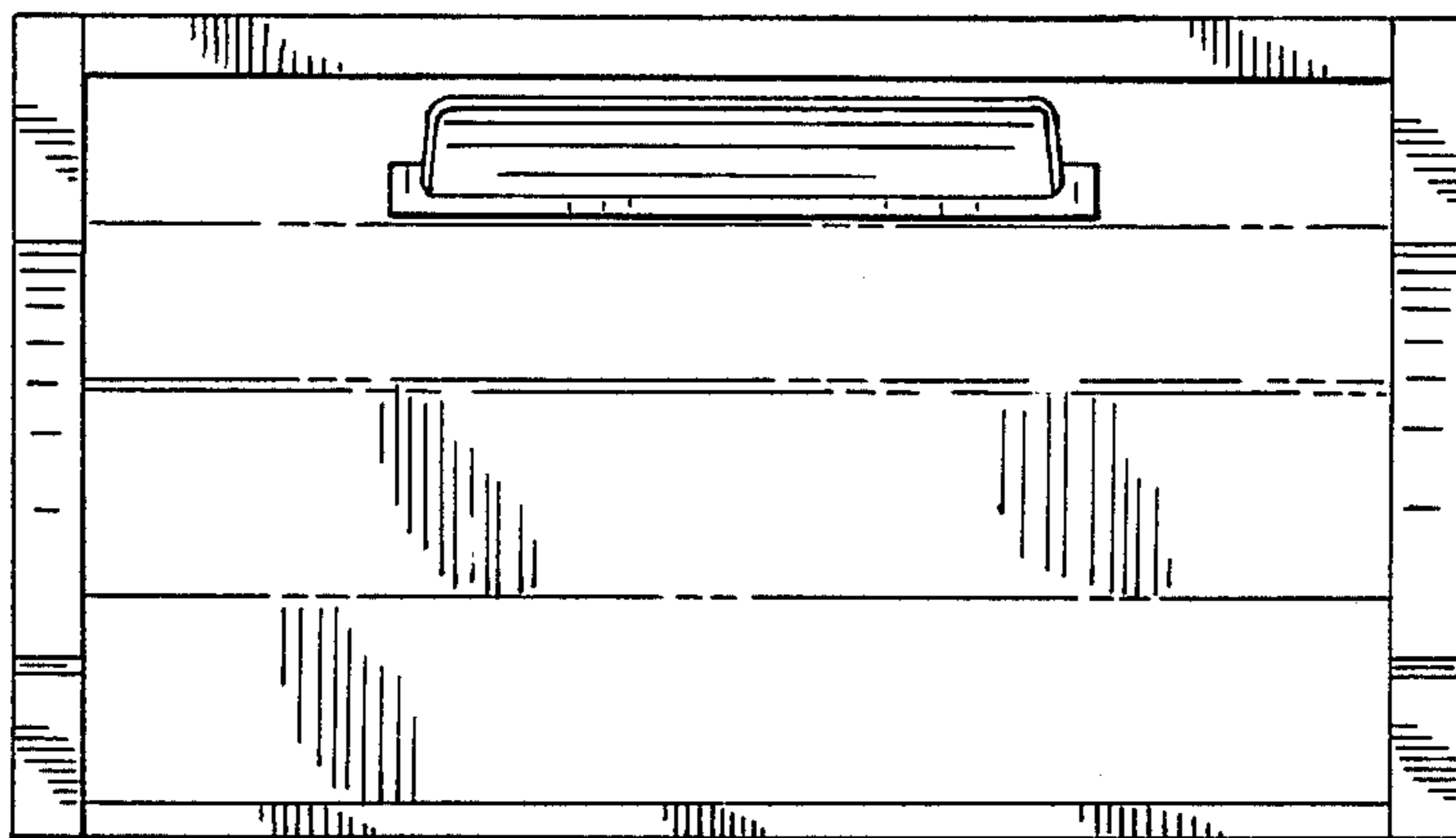


FIG. 4-

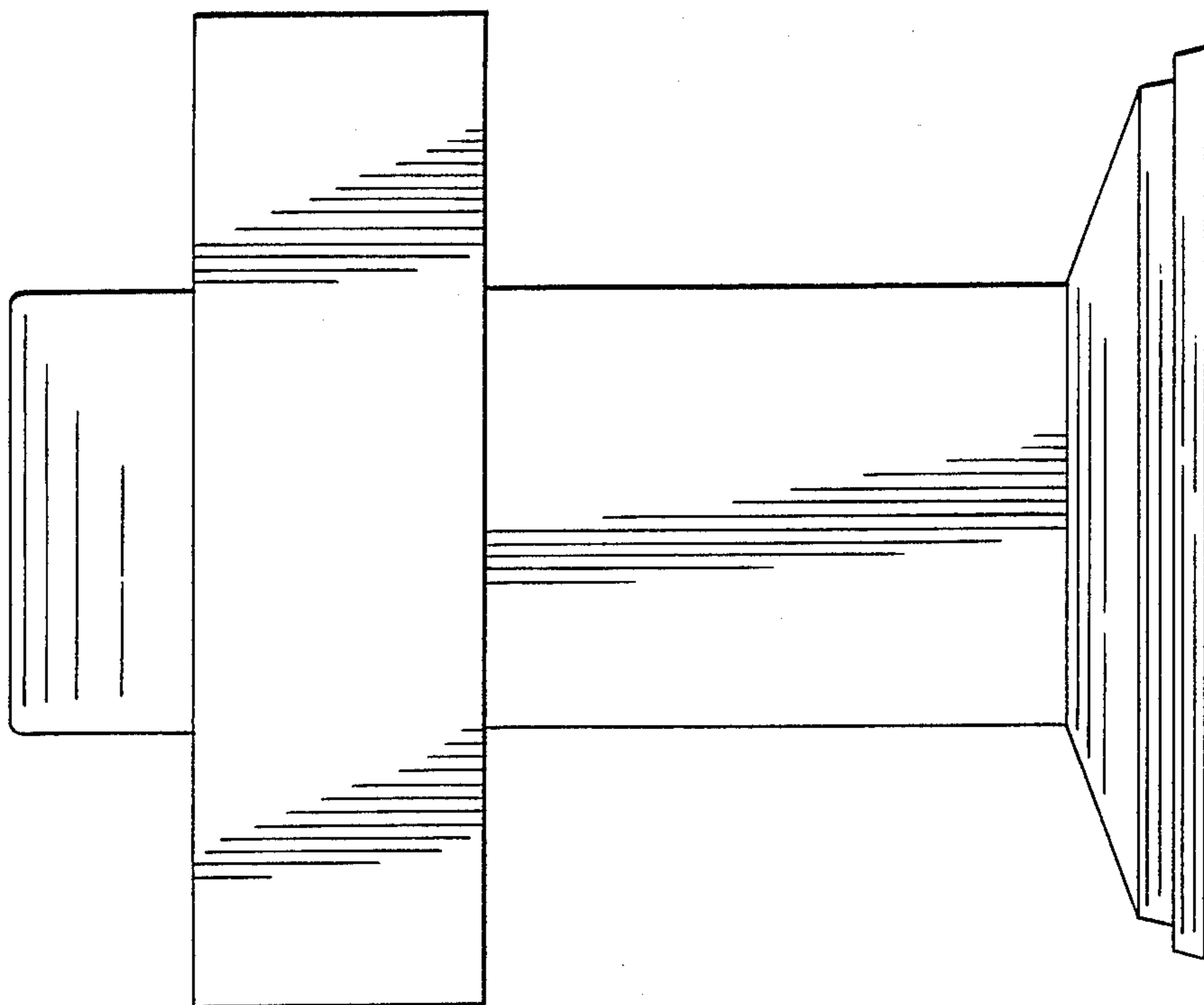


FIG. 3-

