

[54] HOUSING FOR SURVEILLANCE CAMERA

[76] Inventor: Raymond V. Pagano, 2675C Lithonia Industrial Blvd., Lithonia, Ga. 30058

[**] Term: 14 Years

[21] Appl. No.: 87,910

[22] Filed: Aug. 21, 1987

[52] U.S. Cl. D16/203

[58] Field of Search D16/200, 201, 203, 204; 354/64, 65, 288; 358/108, 99, 229

[56] References Cited

U.S. PATENT DOCUMENTS

D. 203,678	2/1966	Newton et al.	D16/203
D. 248,305	6/1978	Scott	D16/203
3,175,037	3/1965	Padgitt	358/99
3,739,703	6/1973	Behles	358/108
3,916,097	10/1975	Imai	358/229
4,080,629	3/1978	Hammand et al.	358/108

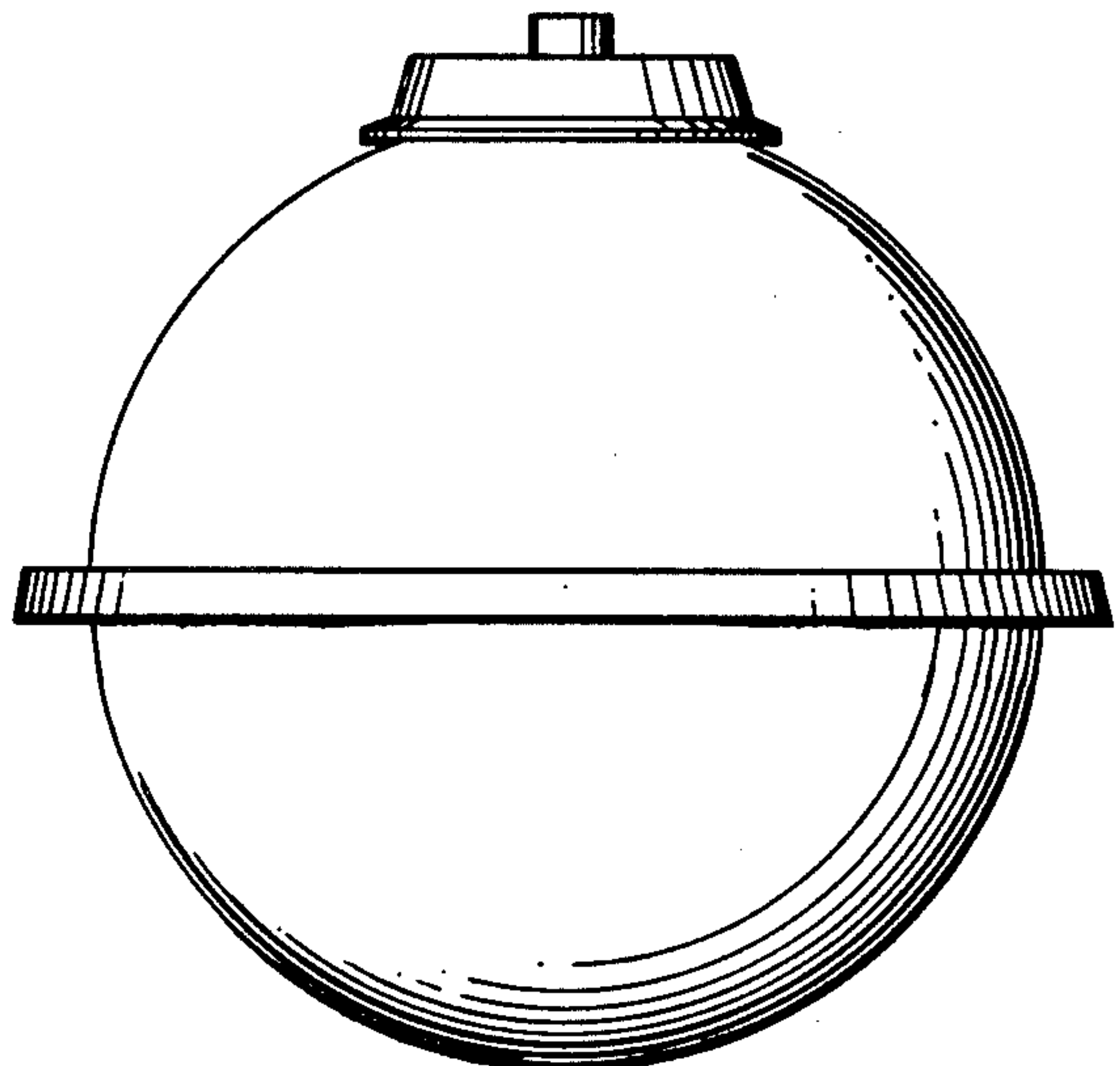
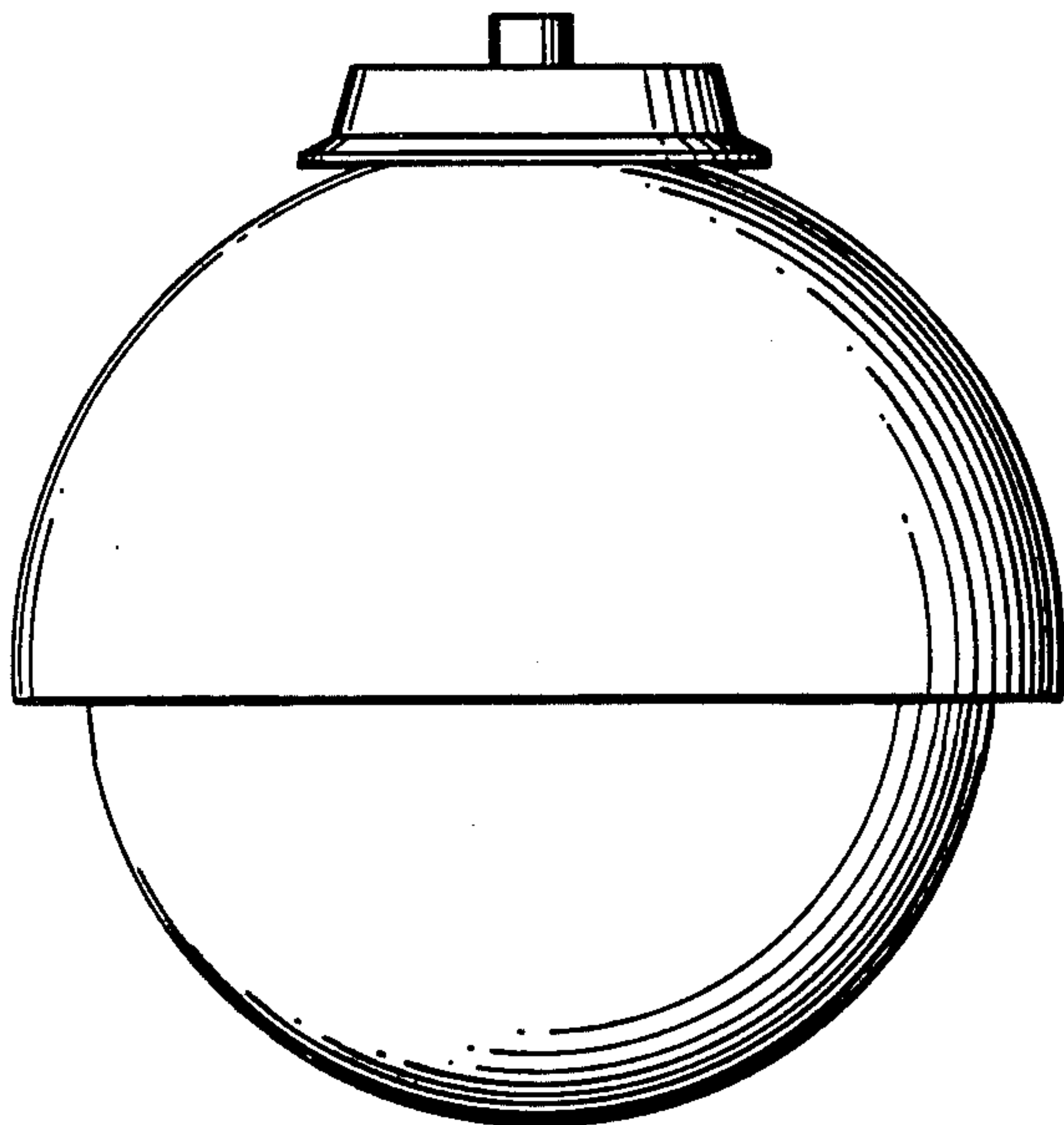
Primary Examiner—Bernard Ansher
Assistant Examiner—Adir Aronovich
Attorney, Agent, or Firm—James B. Middleton

[57] CLAIM

The ornamental design for a housing for surveillance camera, as shown and described.

DESCRIPTION

FIG. 1 is an elevational view of a housing for a surveillance camera showing my new design;
FIG. 2 is a top plan view thereof;
FIG. 3 is a bottom plan view thereof;
FIG. 4 is an enlarged fragmentary cross-sectional view taken along the line 4—4 in FIG. 2;
FIG. 5 is an elevational view of a modified housing for a surveillance camera showing my new design;
FIG. 6 is a top plan view of the embodiment of FIG. 5;
FIG. 7 is a bottom plan view of the embodiment of FIG. 5; and,
FIG. 8 is an enlarged fragmentary cross-sectional view taken along the line 8—8 in FIG. 6.



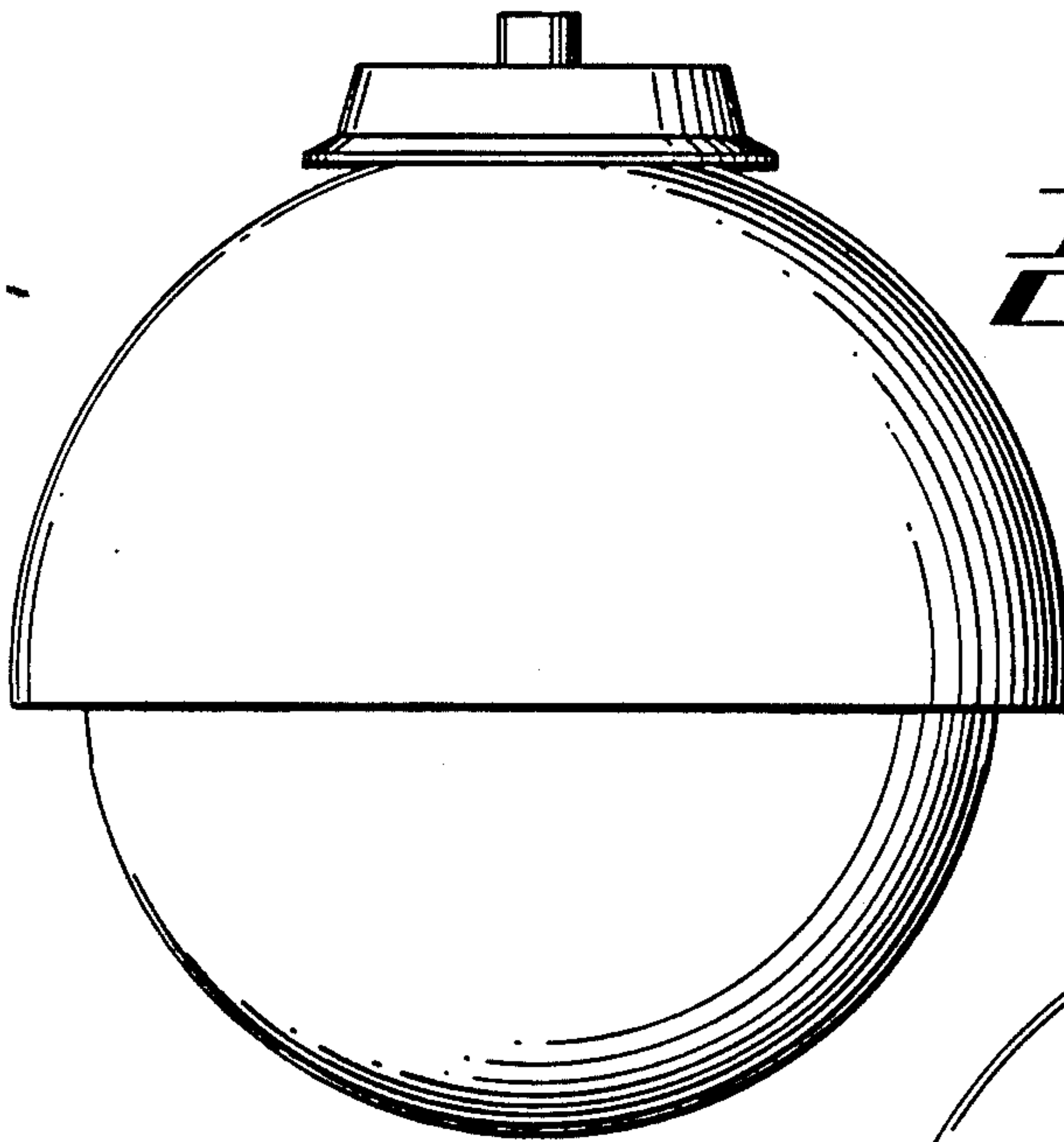
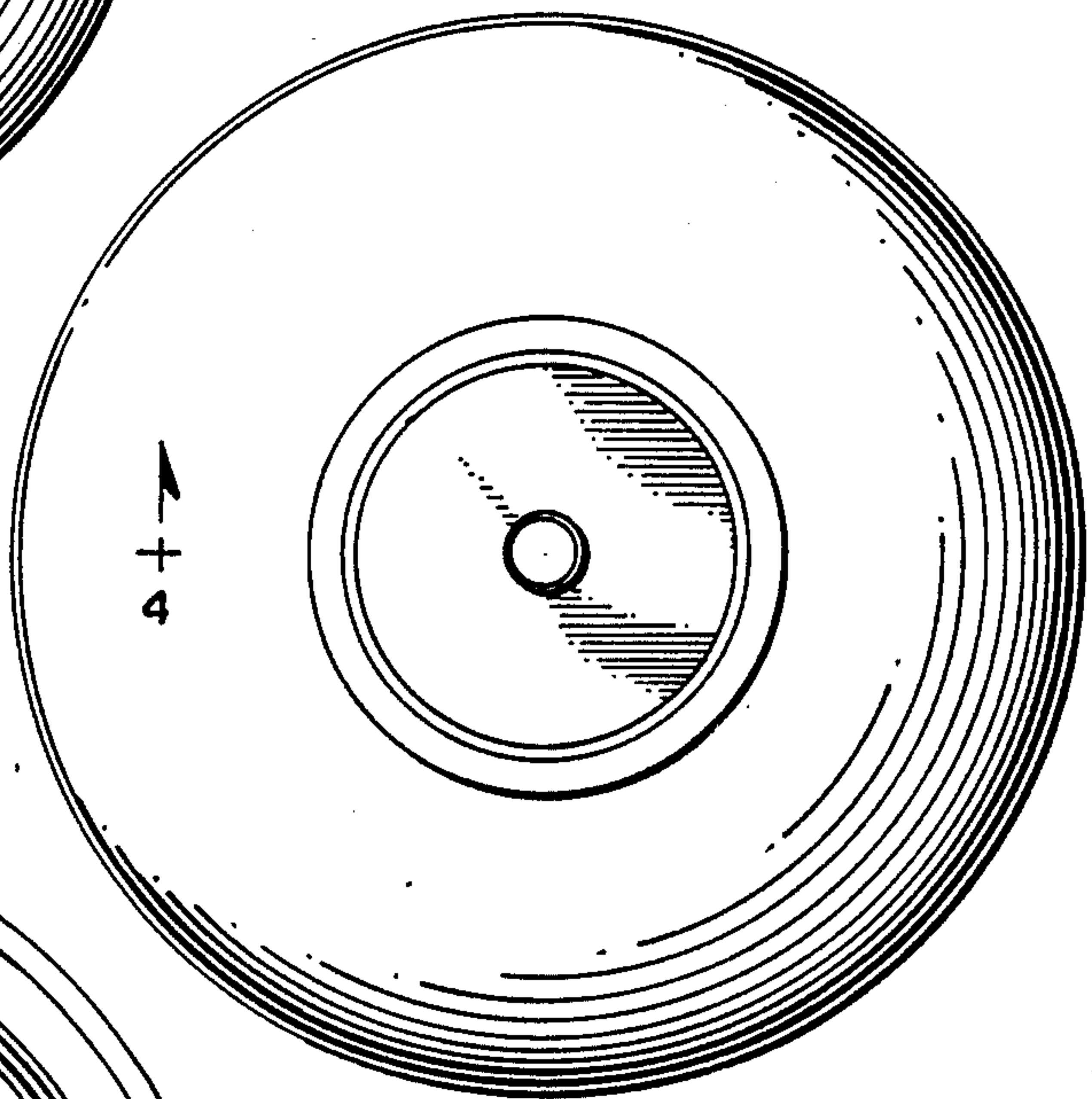


Fig. 1

Fig. 2



↑
+
4

↑
+
4

Fig. 3

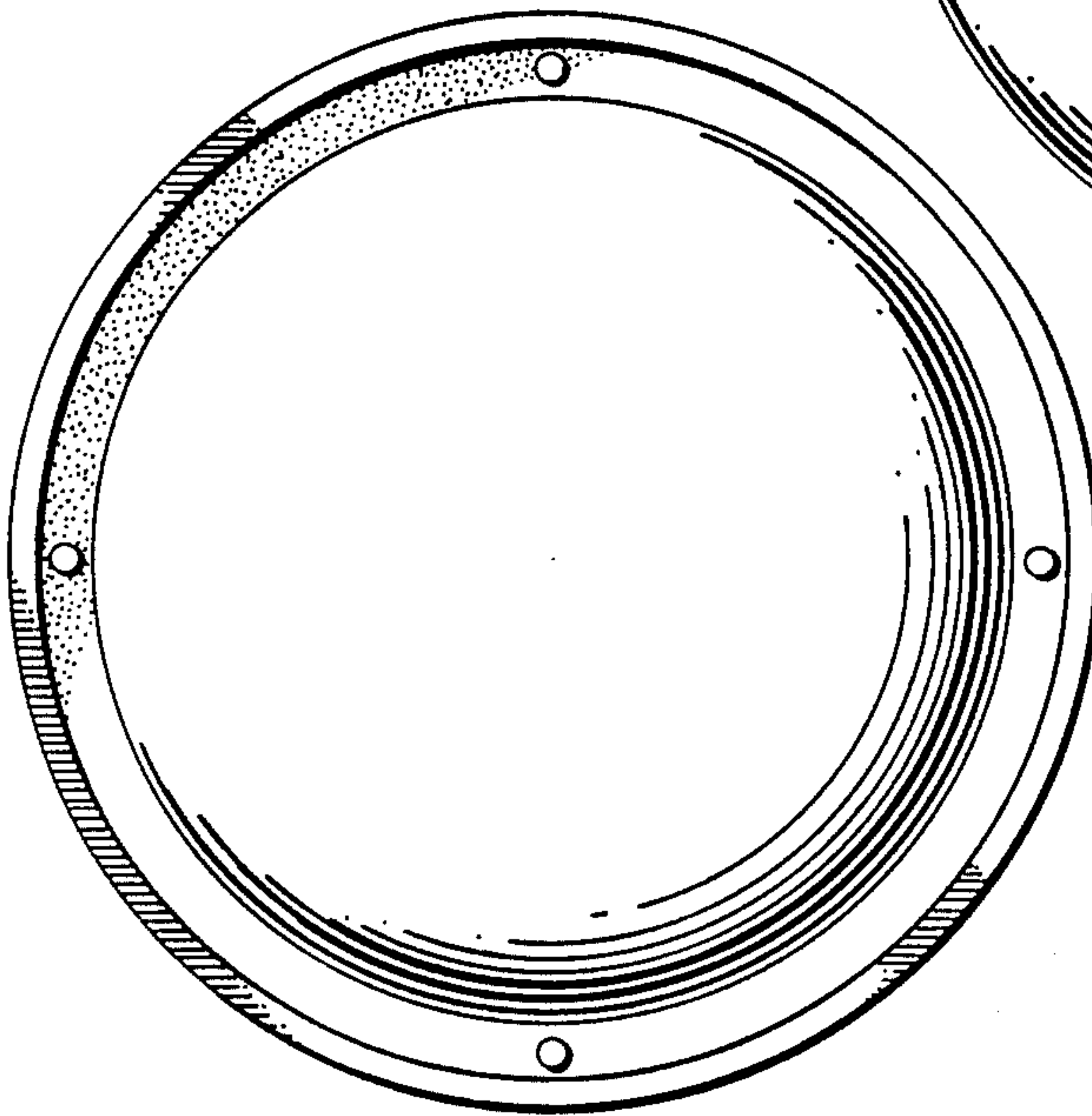
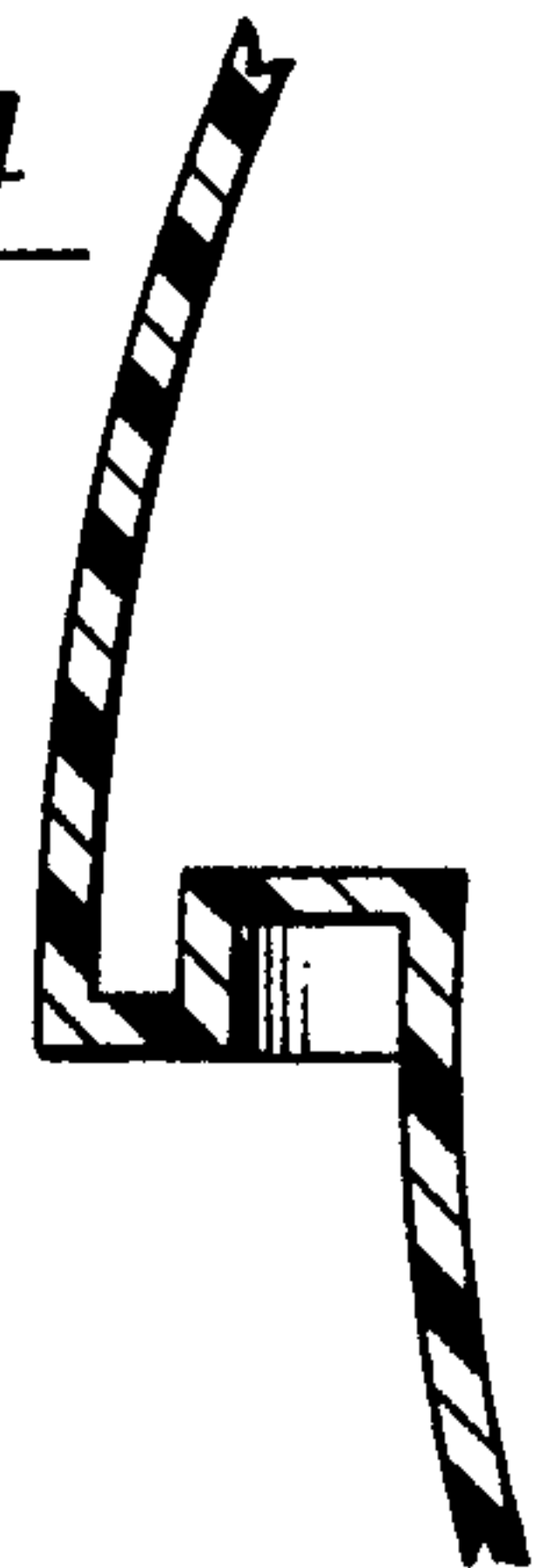


Fig. 4



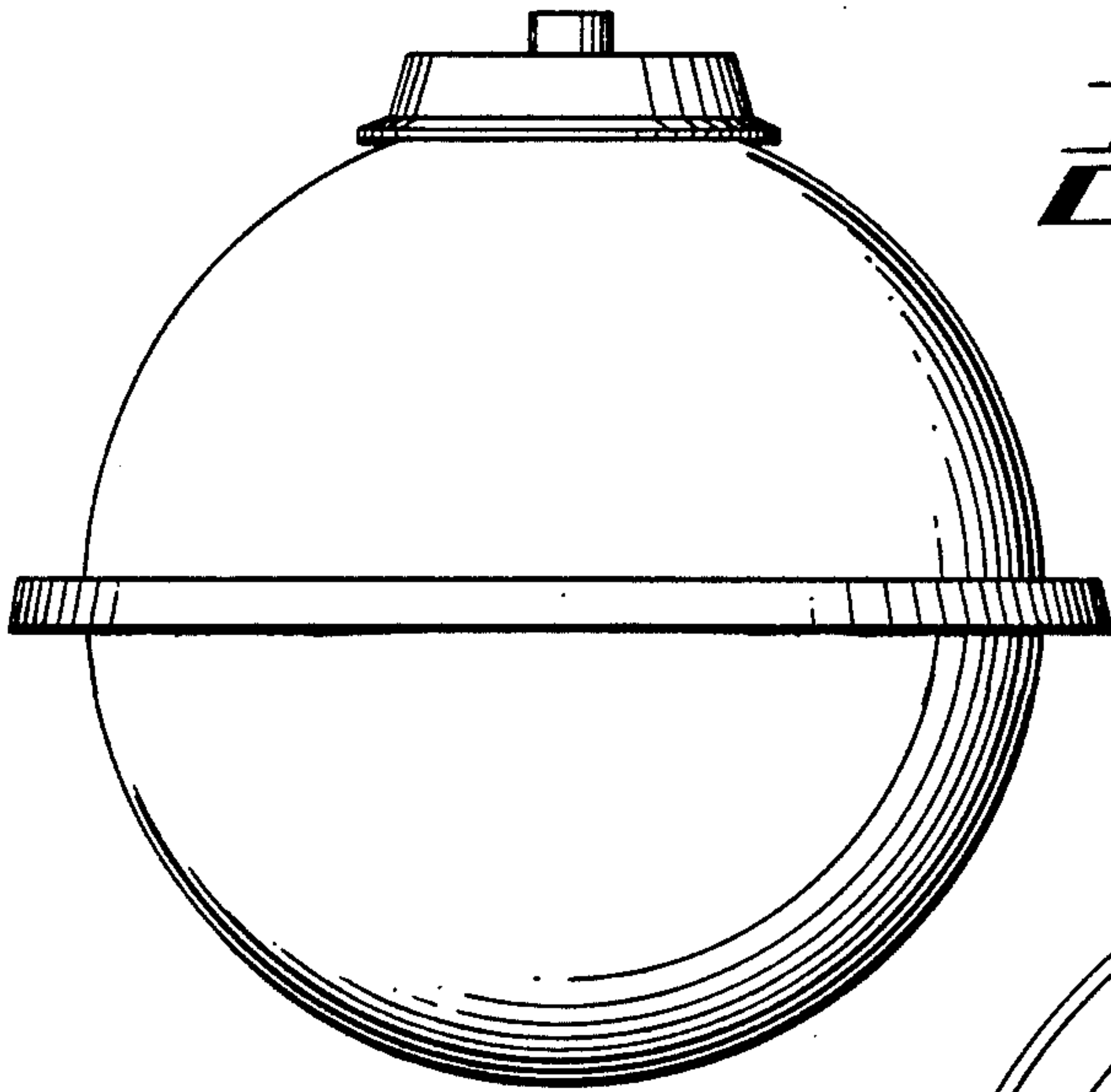


Fig. 5

Fig. 6

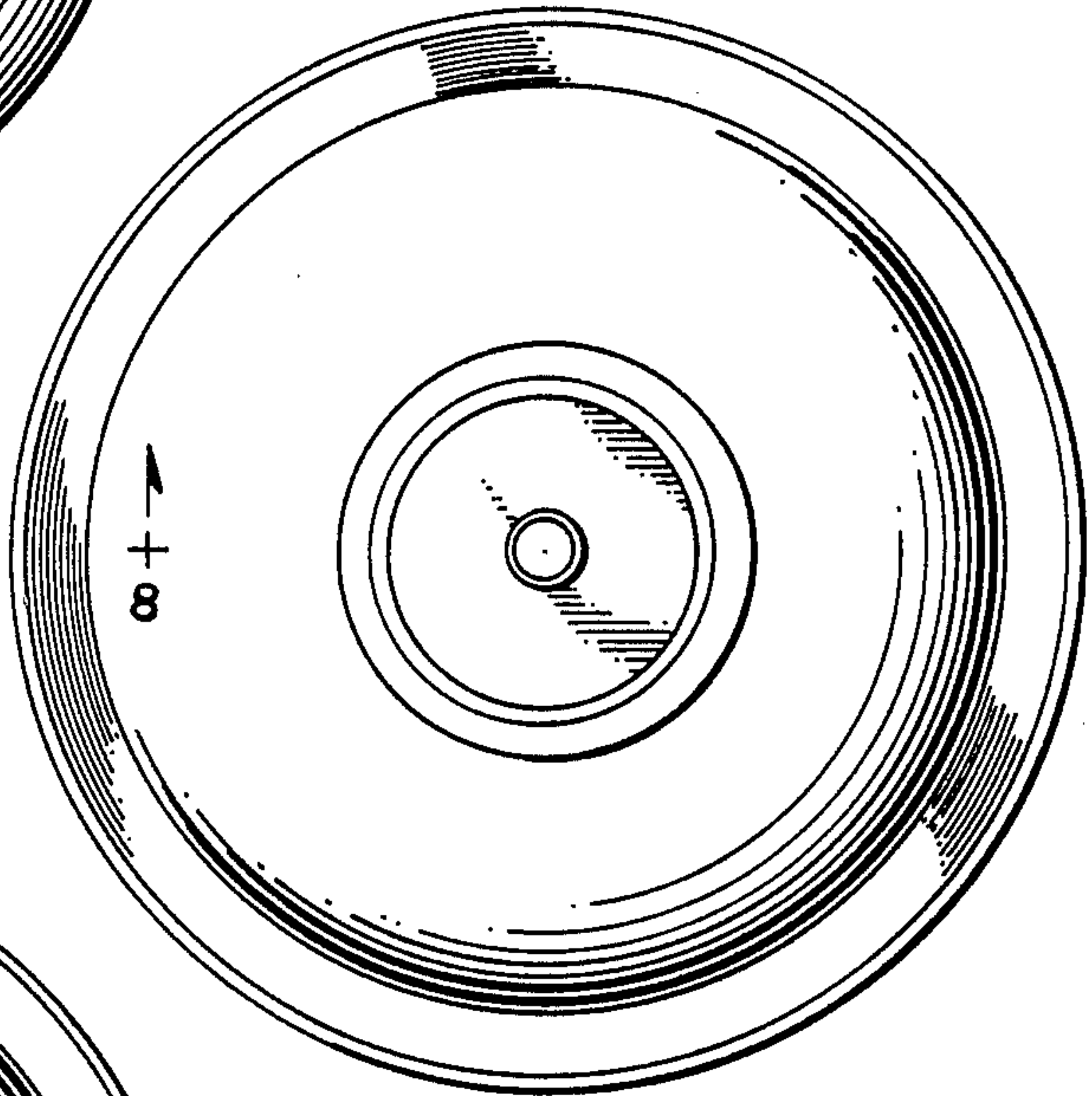


Fig. 7

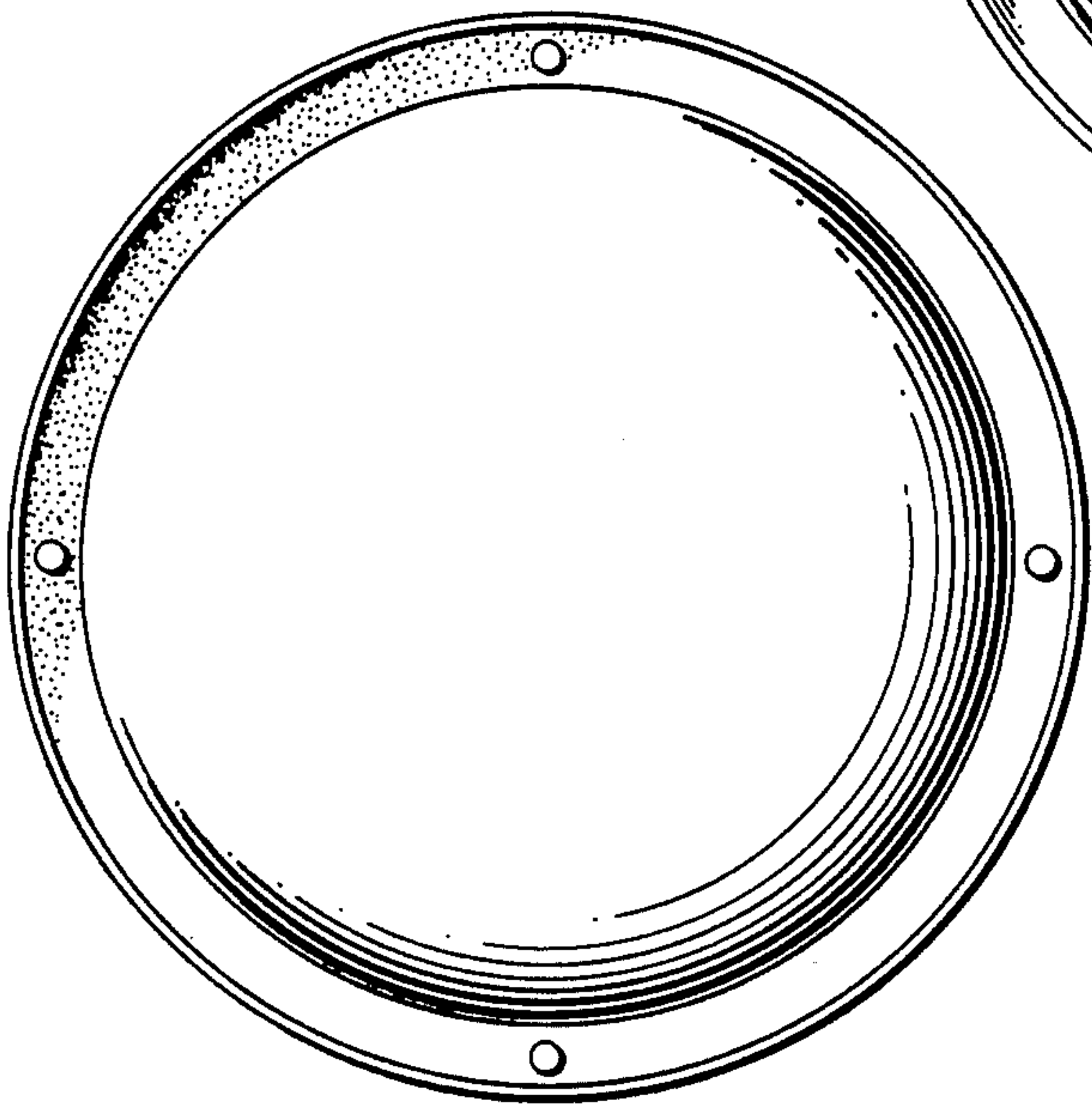


Fig. 8

