

[54] ICE CREAM MAKING MACHINE

4,632,566 12/1986 Masel et al. 62/343
4,796,440 1/1989 Shiotani et al. 62/343

[75] Inventors: Harold Osrow, Dix Hills; Gordon Perry, New York, both of N.Y.

Primary Examiner—B. J. Bullock
Assistant Examiner—Sandra Morris
Attorney, Agent, or Firm—Helfgott & Karas

[73] Assignee: Creative Technologies, Corporation, Deer Park, N.Y.

[57] CLAIM

[**] Term: 14 Years

The ornamental design for an ice cream making machine, as shown.

[21] Appl. No.: 192,875

[22] Filed: May 11, 1988

DESCRIPTION

[52] U.S. Cl. D15/82; D7/376; D7/309

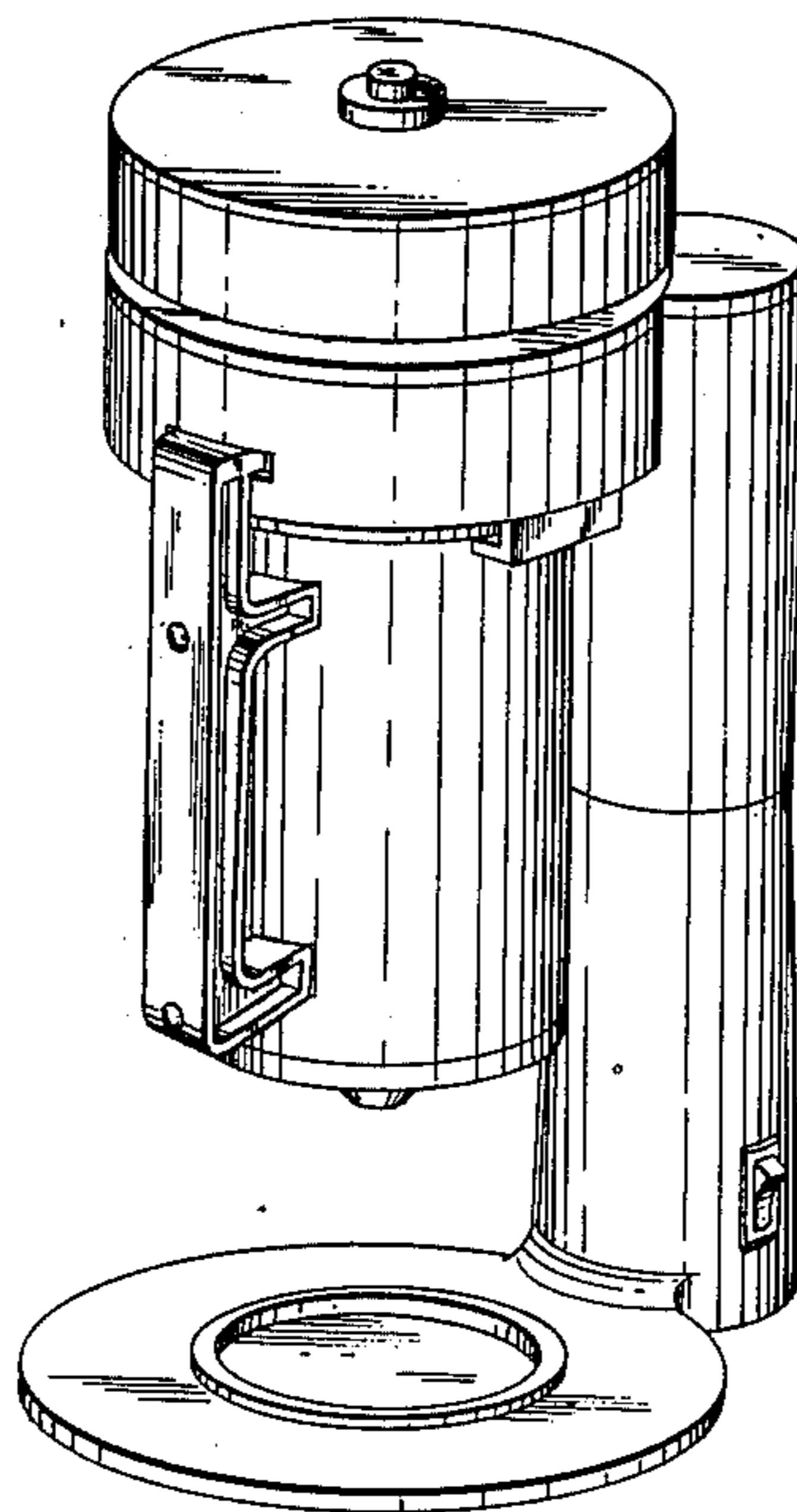
FIG. 1 is a perspective view of an ice cream making machine showing my new design; FIG. 2 is a top plan view thereof; FIG. 3 is a front view thereof; FIG. 4 is right side view thereof; FIG. 5 is a left side view thereof; FIG. 6 is a rear view thereof; FIG. 7 is a bottom plan view thereof; FIG. 8 is an exploded perspective view thereof.

[58] Field of Search D15/79, 81, 82; D7/76, D7/305, 309, 376; 62/340, 342, 343, 344, 371; 366/244

[56] References Cited

U.S. PATENT DOCUMENTS

D. 143,756 2/1946 Reinecke D7/76



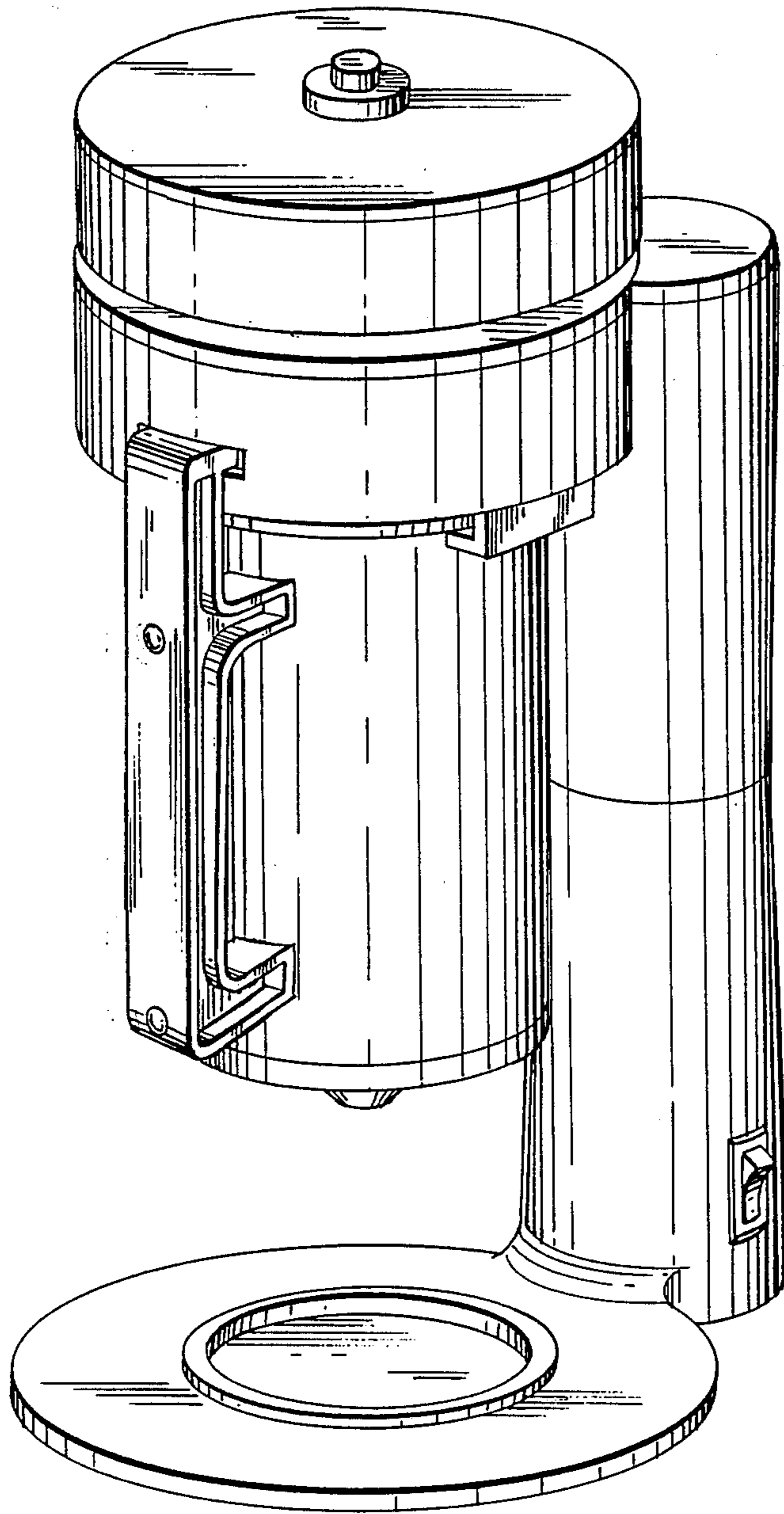


FIG. 1

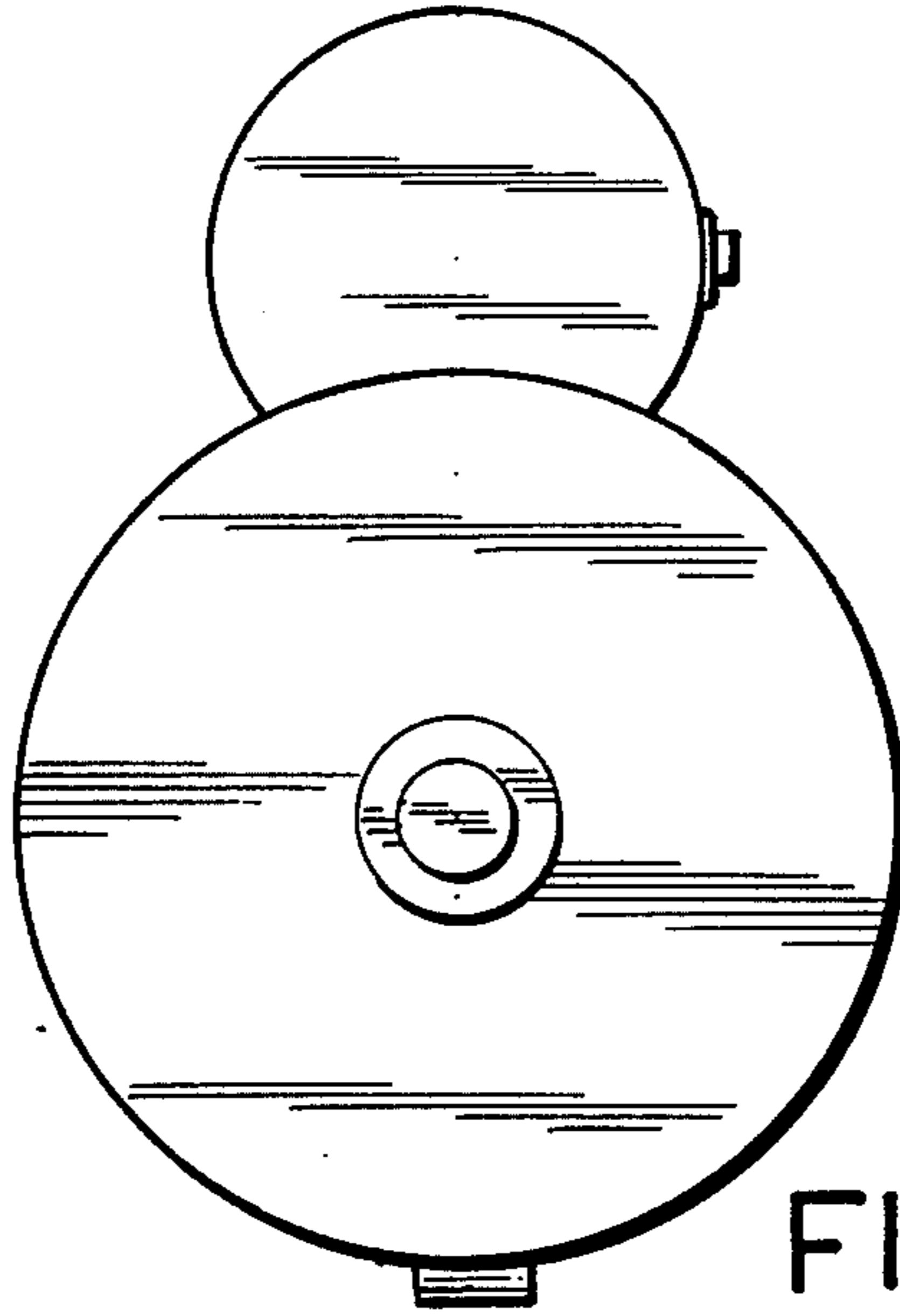


FIG. 2

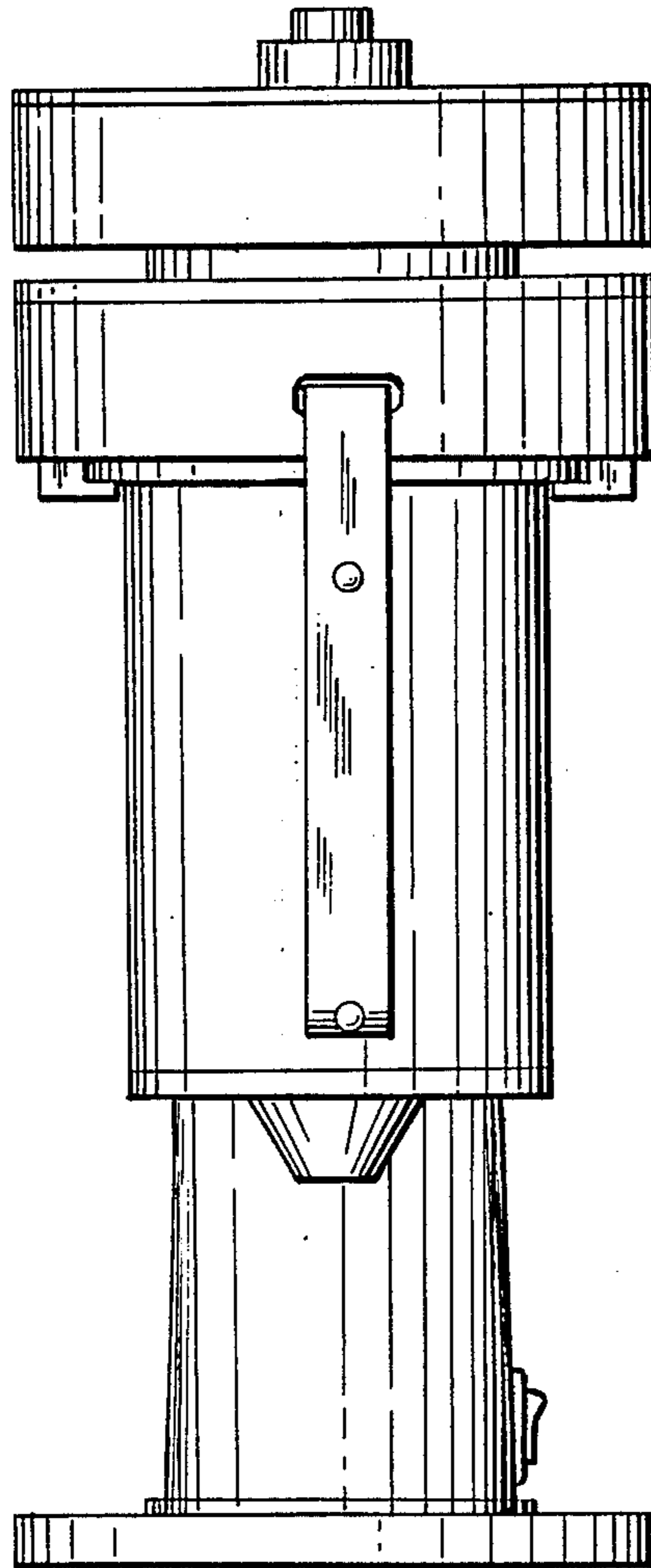


FIG. 3

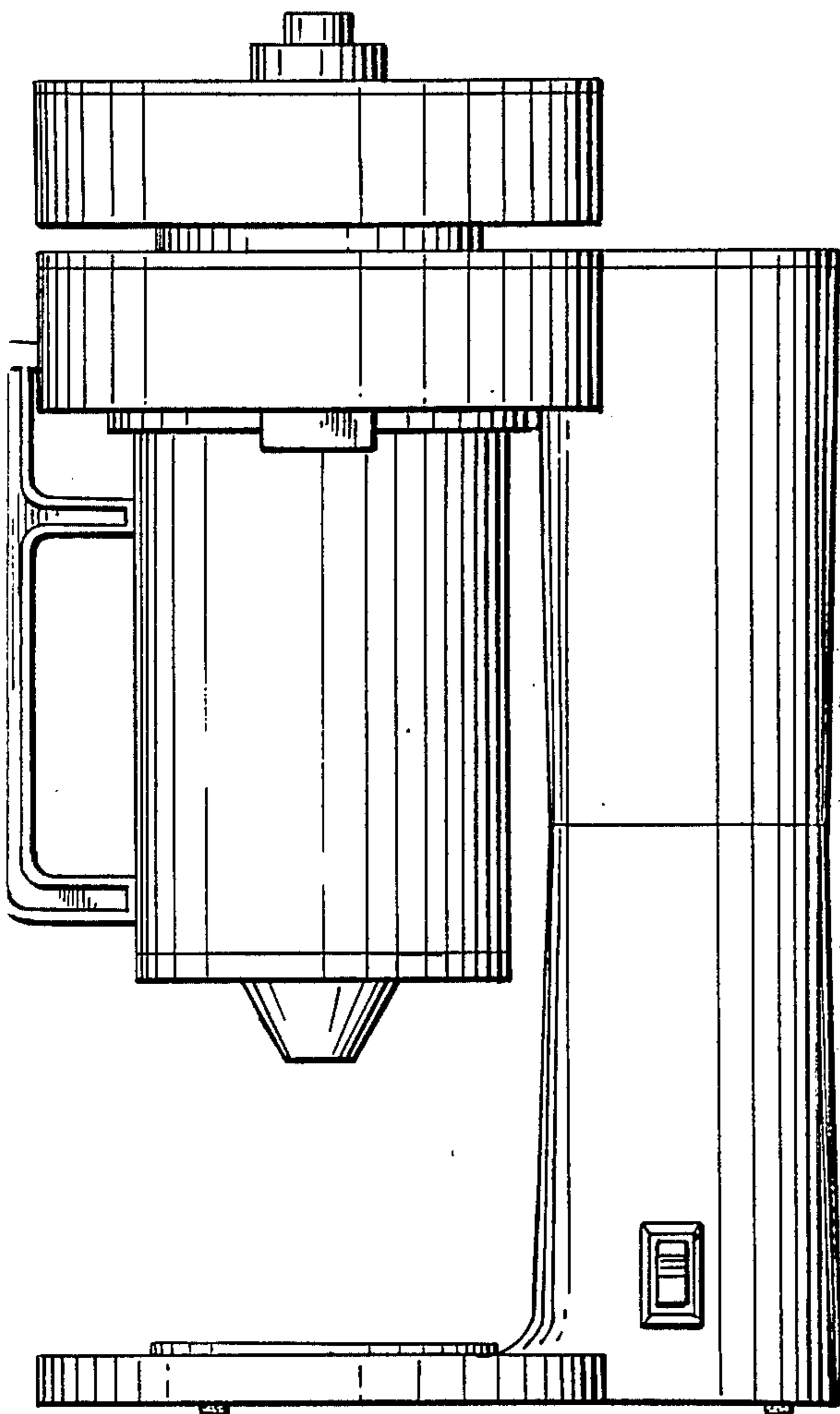


FIG. 4

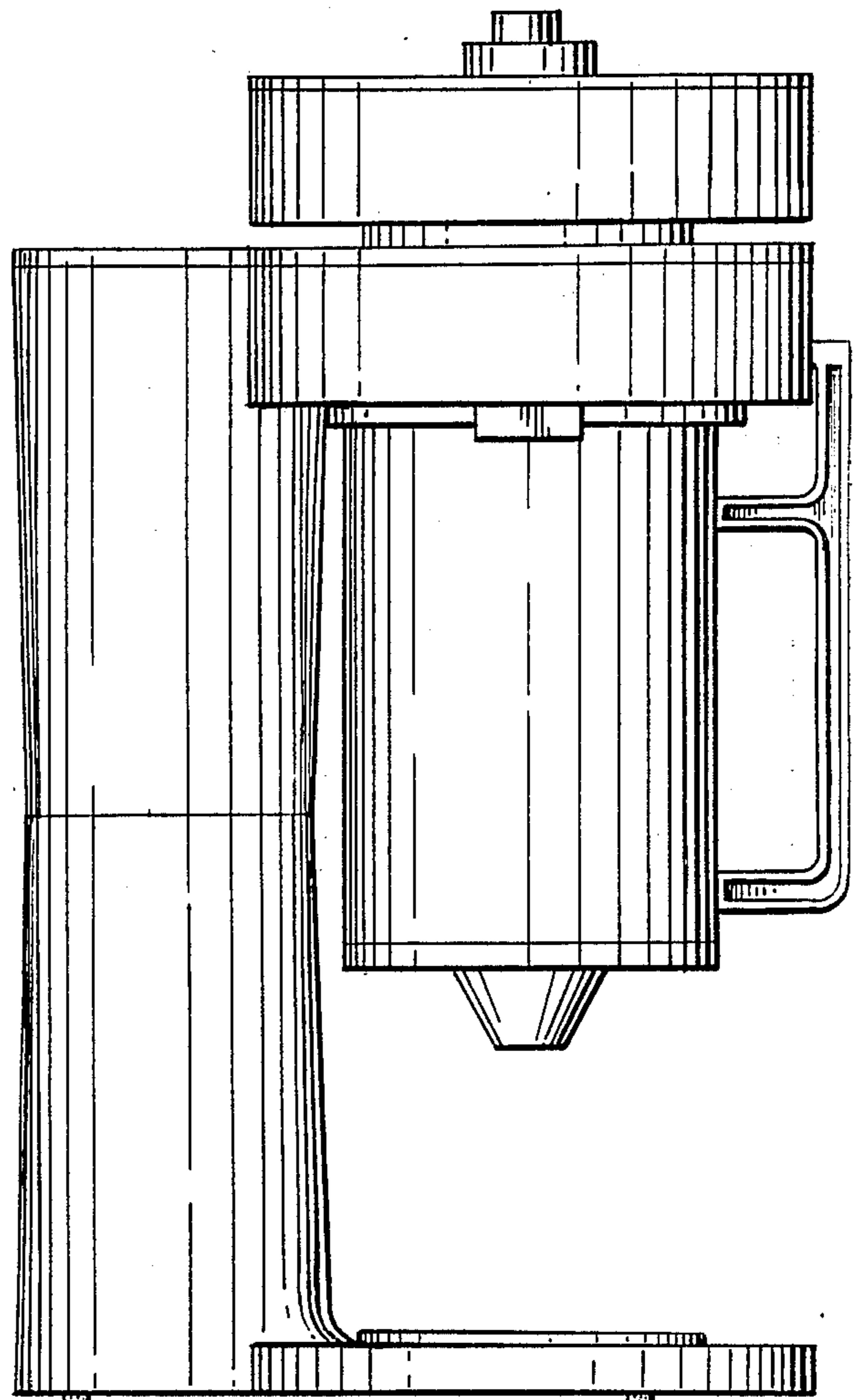


FIG. 5

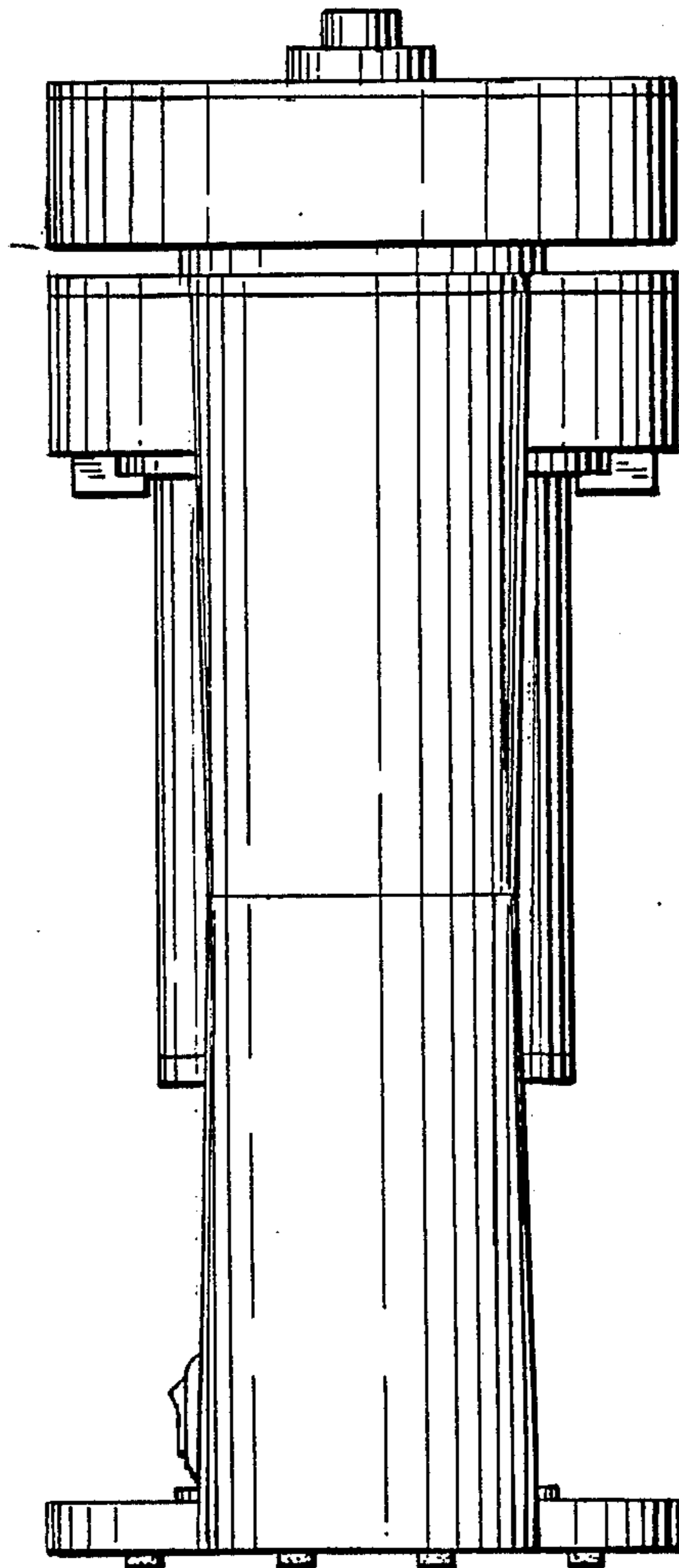


FIG. 6

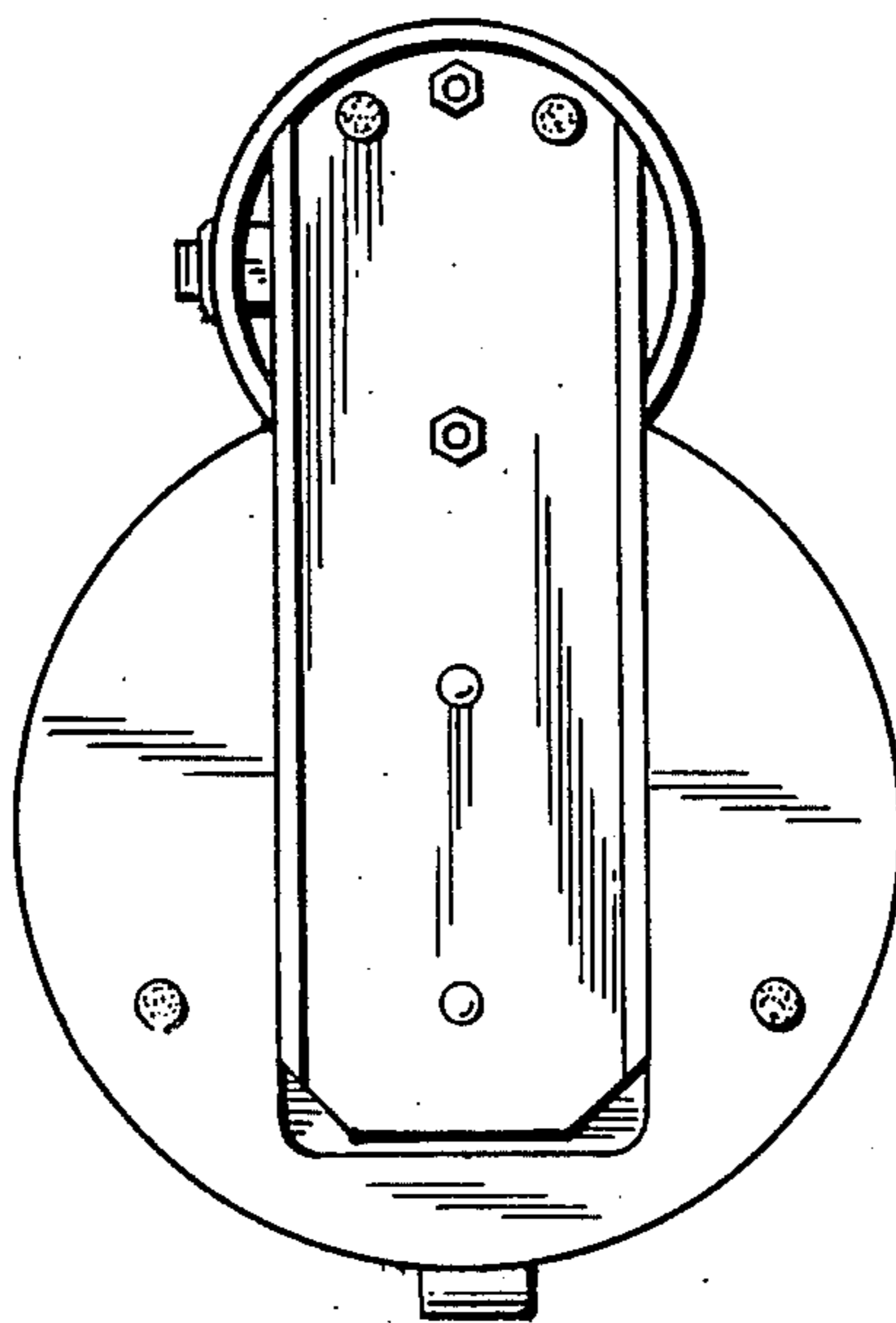


FIG. 7

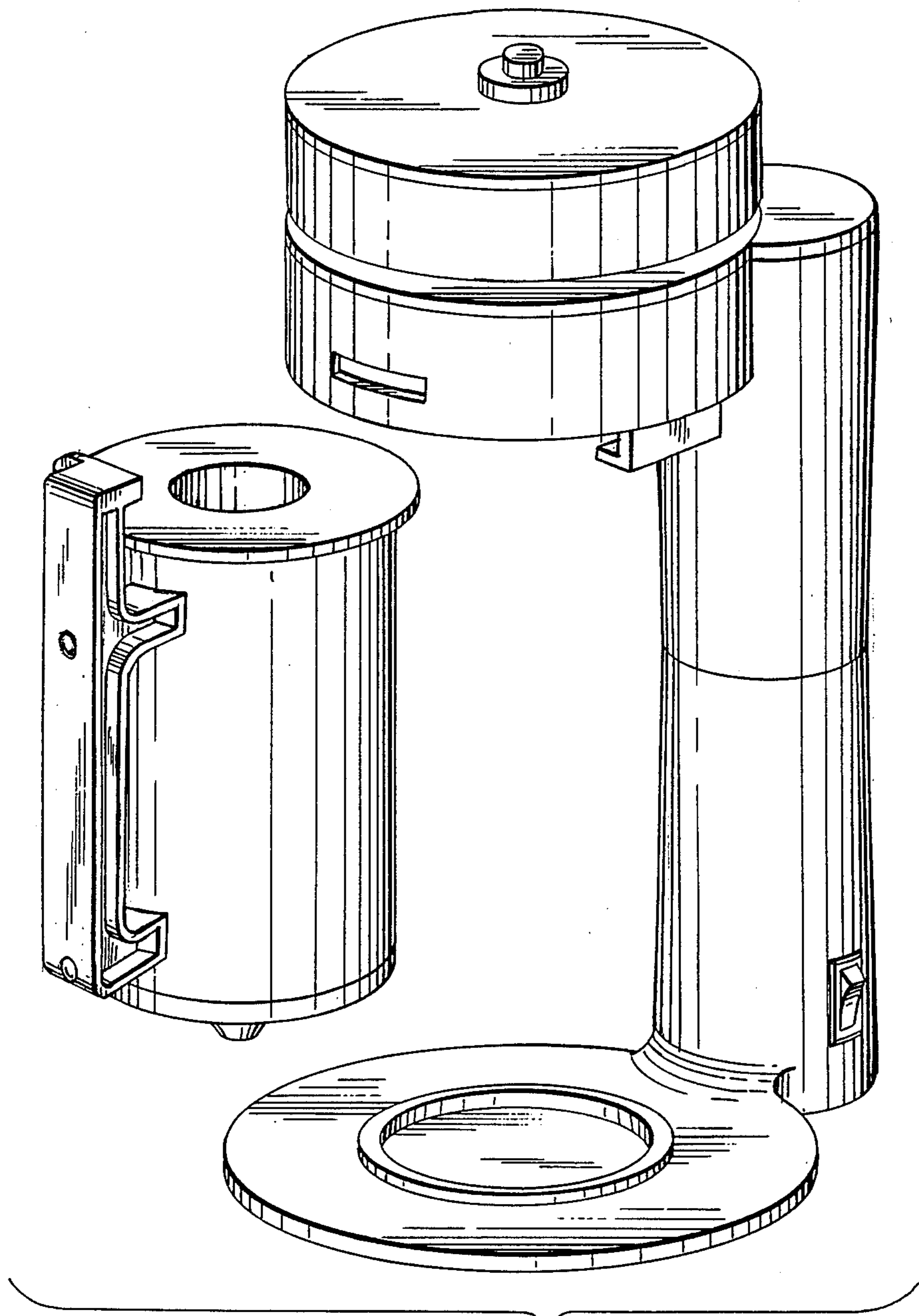


FIG.8