

[54] ELECTRICAL CONTACT ASSEMBLY

DESCRIPTION

[75] Inventor: Richard B. Ernest, Northampton Township, Bucks County, Pa.  
 [73] Assignee: Penn Engineering & Manufacturing Corp., Danboro, Pa.  
 [\*\*] Term: 14 Years  
 [21] Appl. No.: 23,305  
 [22] Filed: Mar. 9, 1987  
 [52] U.S. Cl. .... D13/171  
 [58] Field of Search ..... D13/32, 38, 99; 200/238, 239, 276, 276.1, 304

[56] References Cited

U.S. PATENT DOCUMENTS

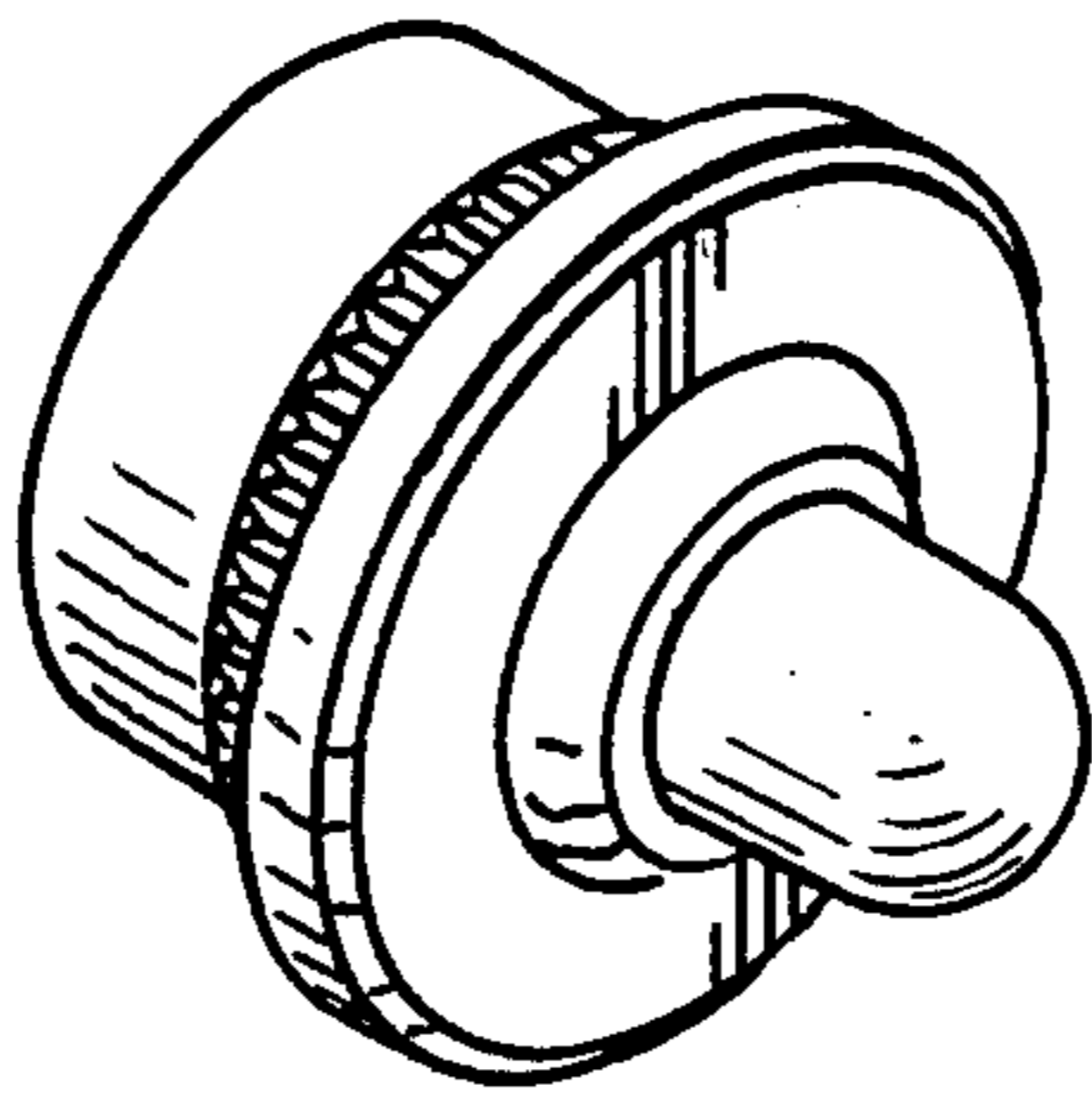
3,305,658 2/1967 Heyhal ..... 200/295  
 3,676,626 7/1972 Mitchell ..... 200/302.2  
 4,218,599 8/1980 Garn ..... 200/341 X

Primary Examiner—Susan J. Lucas  
 Assistant Examiner—Joel Sincavage  
 Attorney, Agent, or Firm—Gregory J. Gore

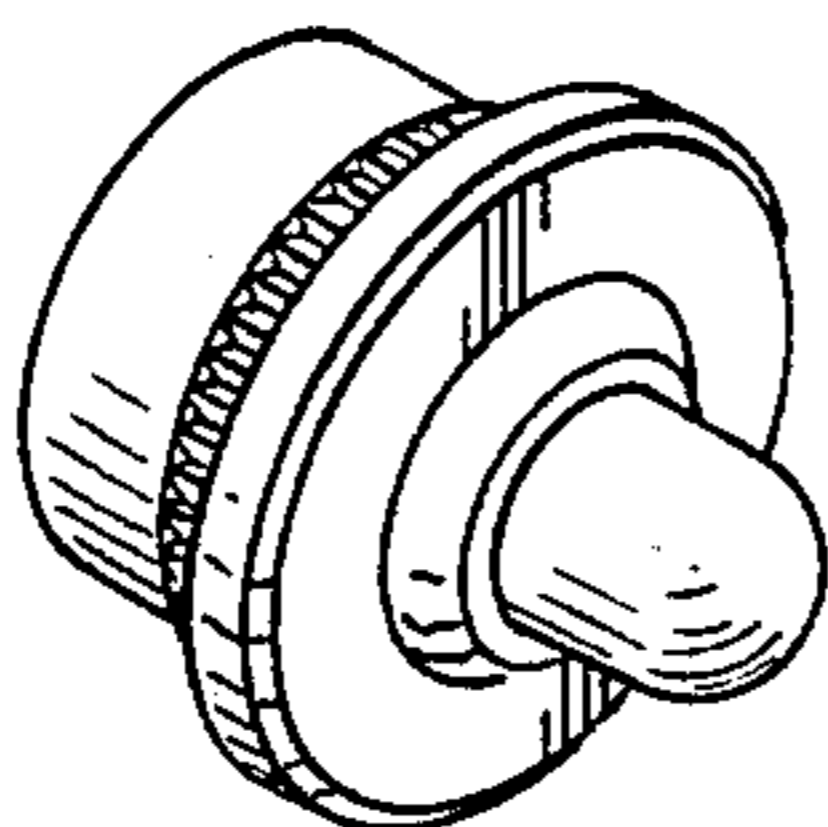
[57] CLAIM

The ornamental design for an electrical contact assembly, as shown and described.

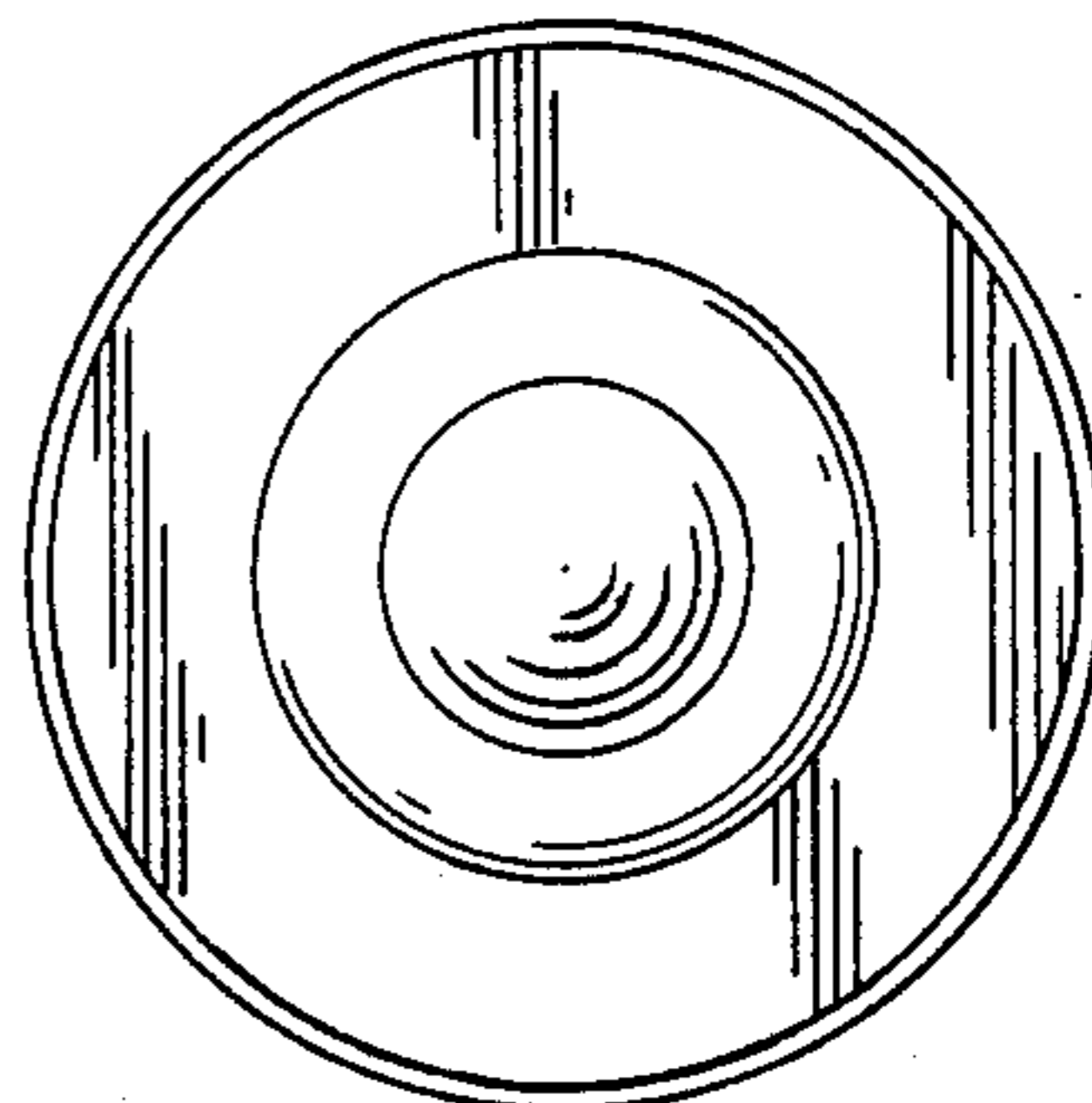
FIG. 1 is a top and front perspective view of the plunger portion of my electrical contact assembly, the button portion being omitted for convenience of illustration;  
 FIG. 2 is a front view thereof, the button portion being omitted for convenience of illustration;  
 FIG. 3 is right-hand side view thereof, the left-hand side view thereof being substantially the same, the button portion being omitted for convenience of illustration;  
 FIG. 4 is a rear view thereof;  
 FIG. 5 is a top view showing my complete electrical contact device containing the plunger portion shown in contacting relation with the contact button portion;  
 FIG. 6 is a top and front perspective view of the contact button portion the plunger portion being omitted for convenience of illustration;  
 FIG. 7 is a front view thereof the plunger portion being omitted for convenience of illustration;  
 FIG. 8 is a side view thereof the plunger portion being omitted for convenience of illustration;  
 FIG. 9 is a rear view thereof; and  
 FIG. 10 is similar to FIG. 5 showing a top view of the contact button shown in contacting cooperation with the plunger portion, the dotted lines shows the relation between these parts and metal sheets to which they are normally affixed and form no part of the claimed design.



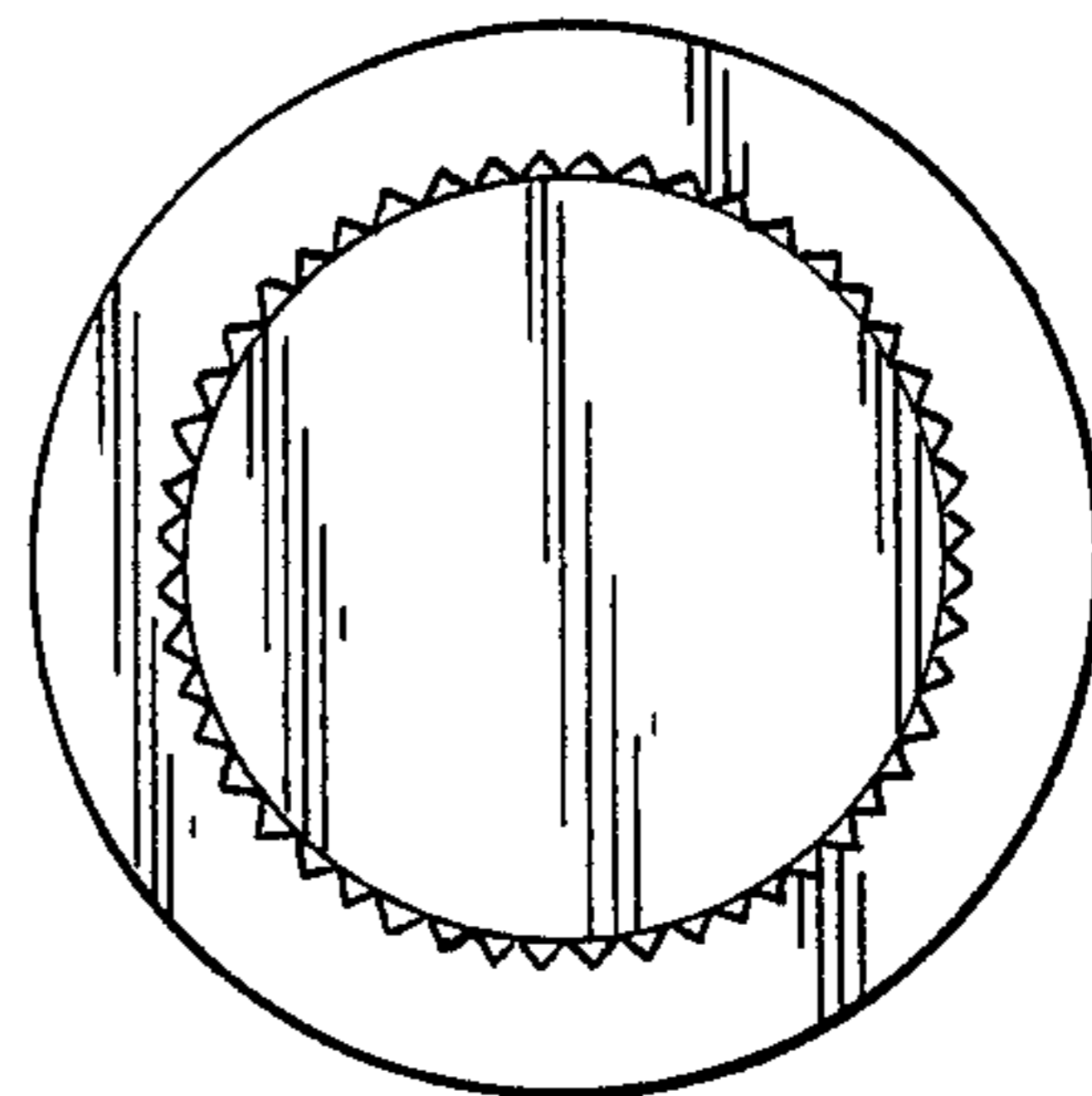
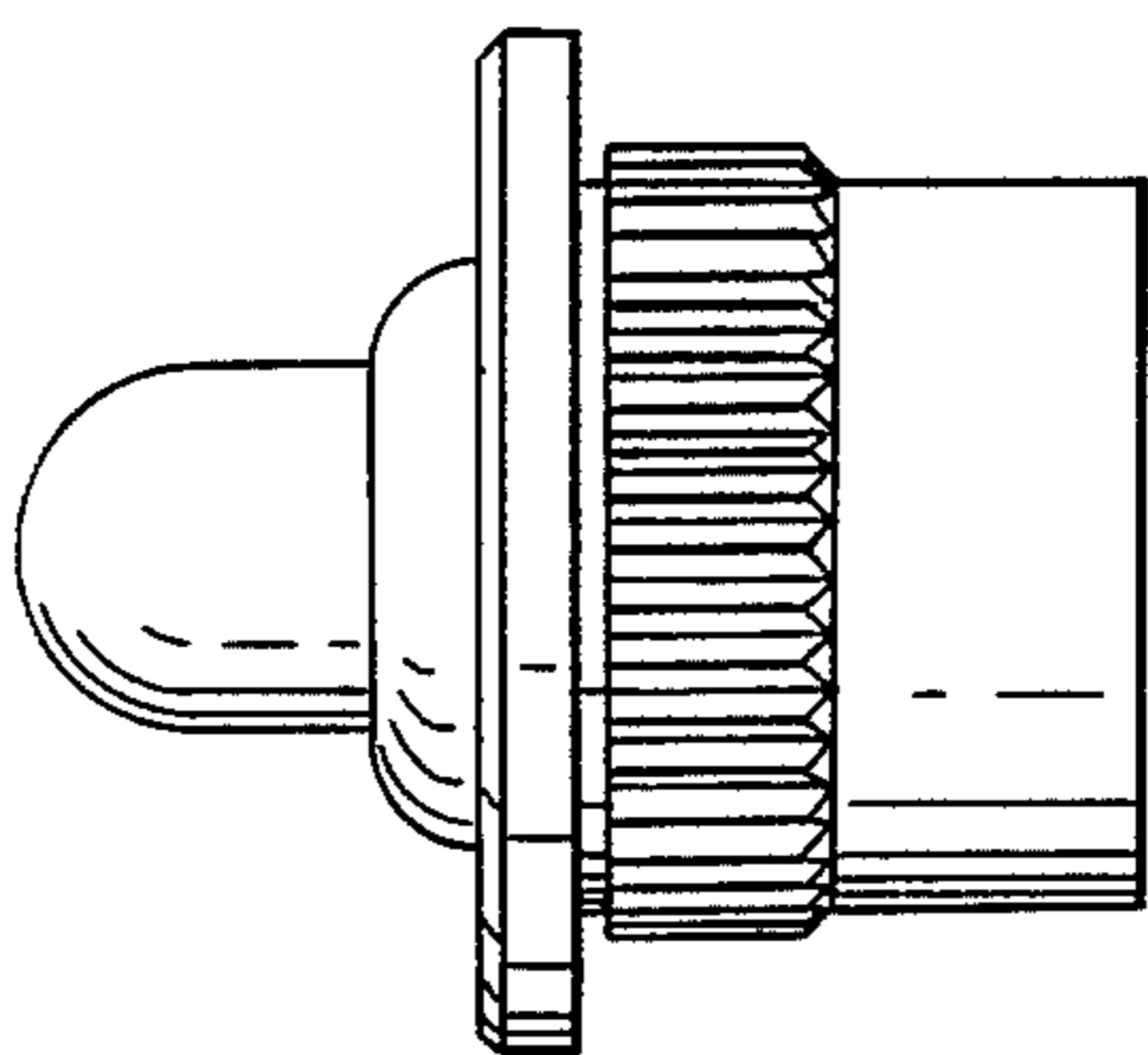
**FIG. 1**



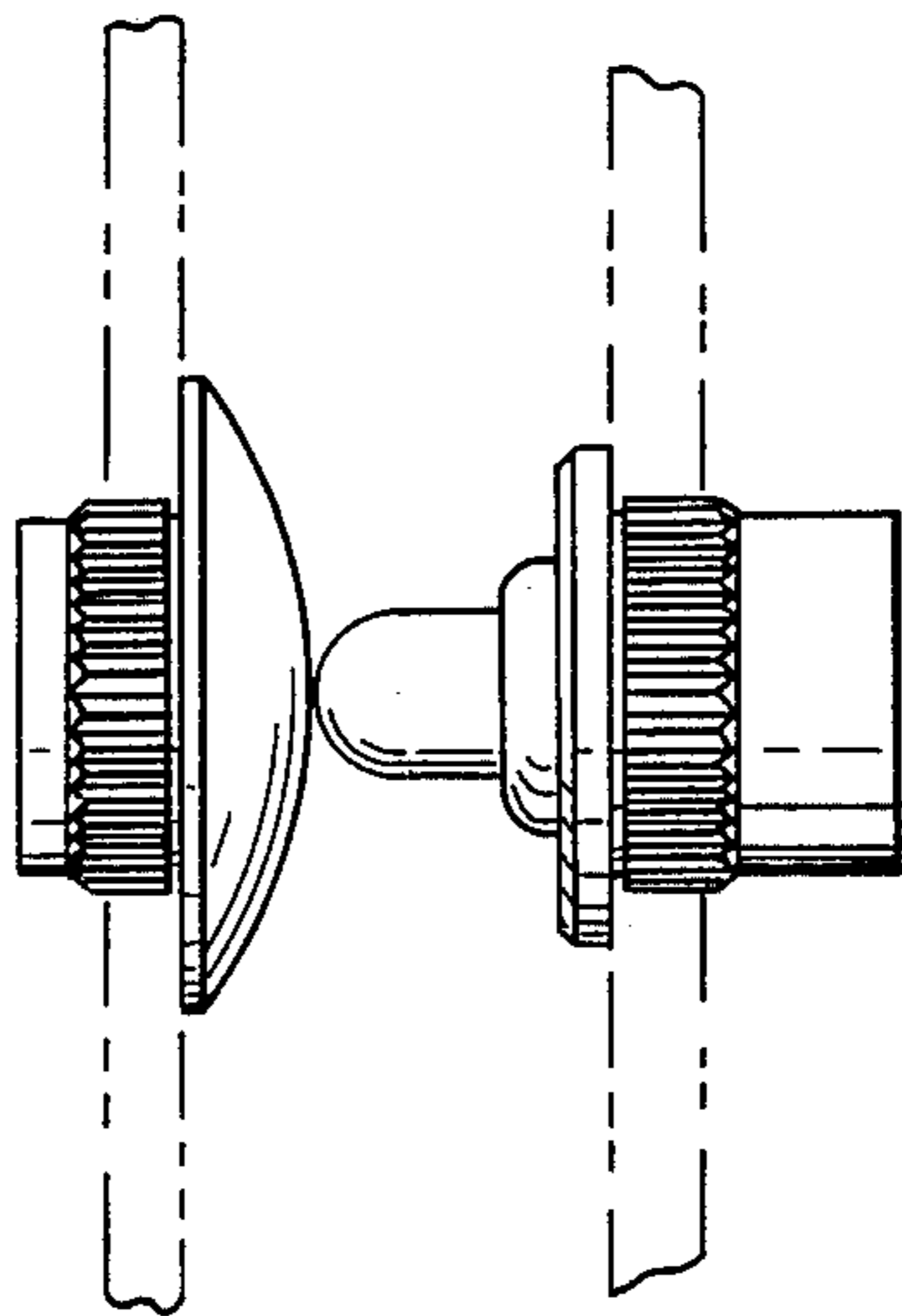
**FIG. 2**



**FIG. 3**

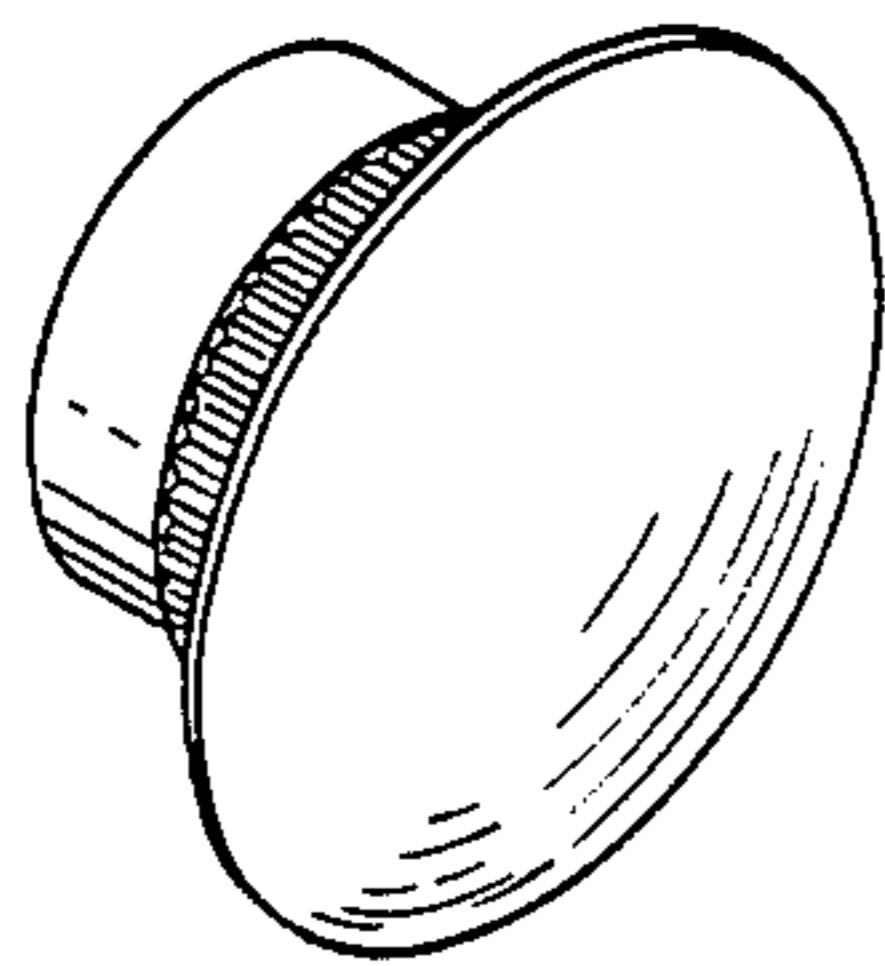


**FIG. 4**

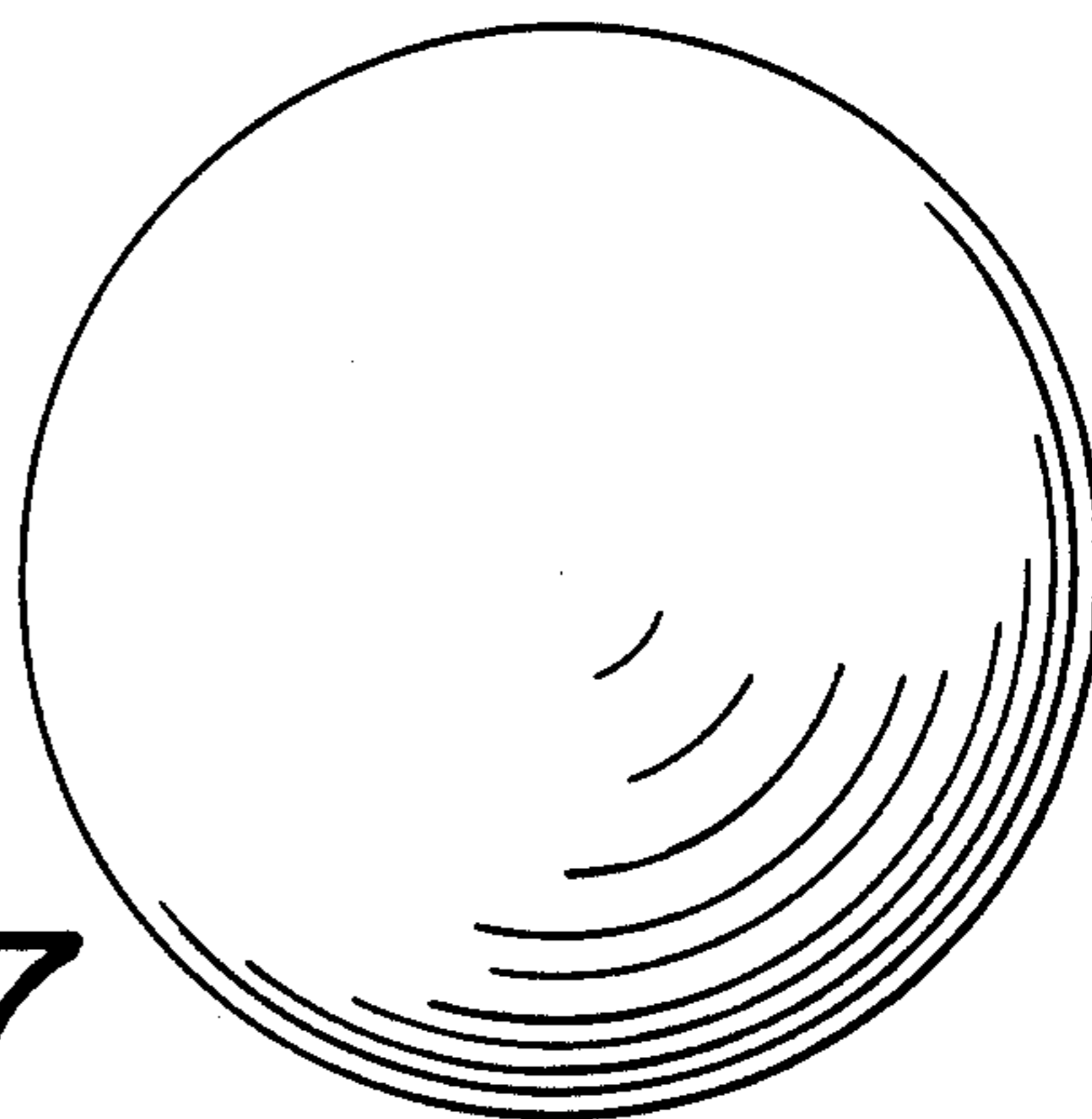


**FIG. 5**

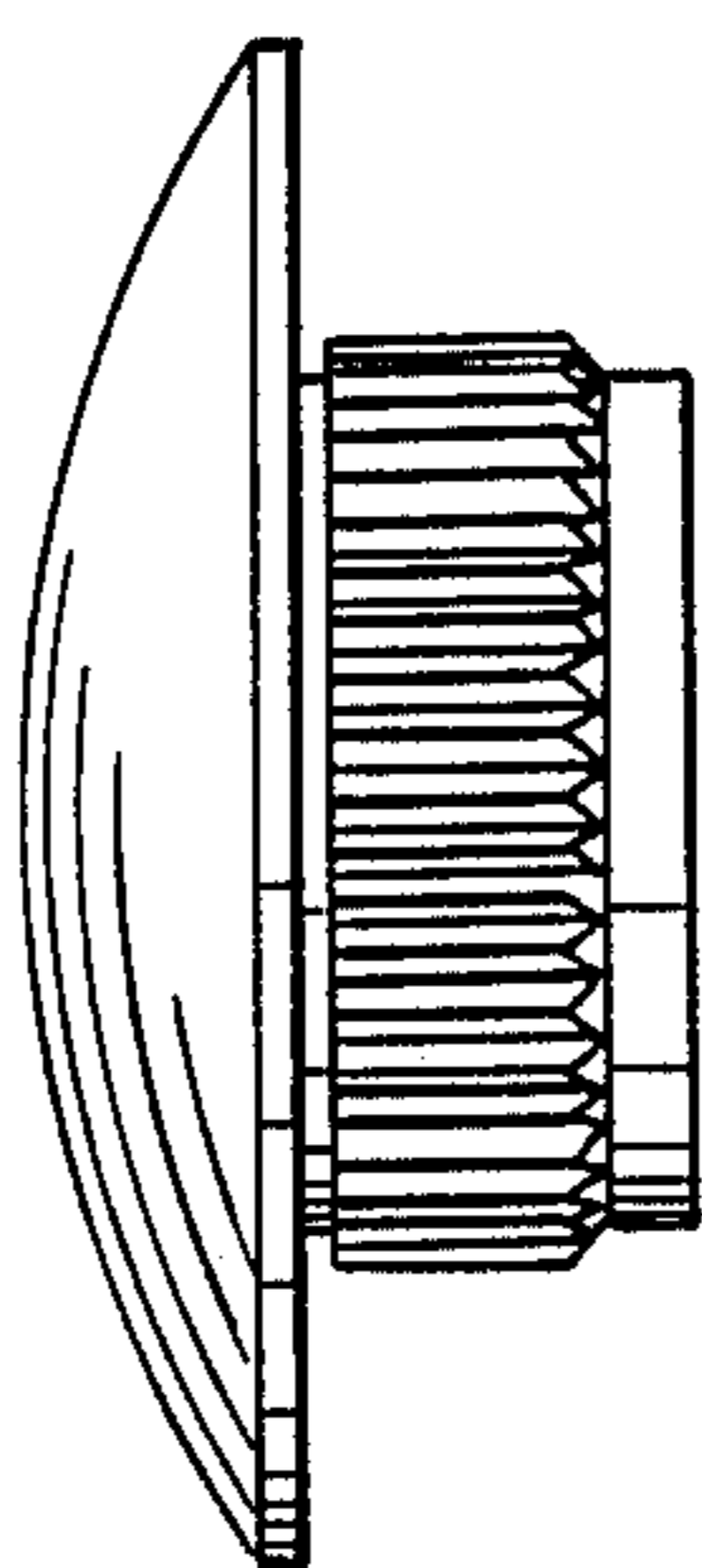
**FIG. 6**



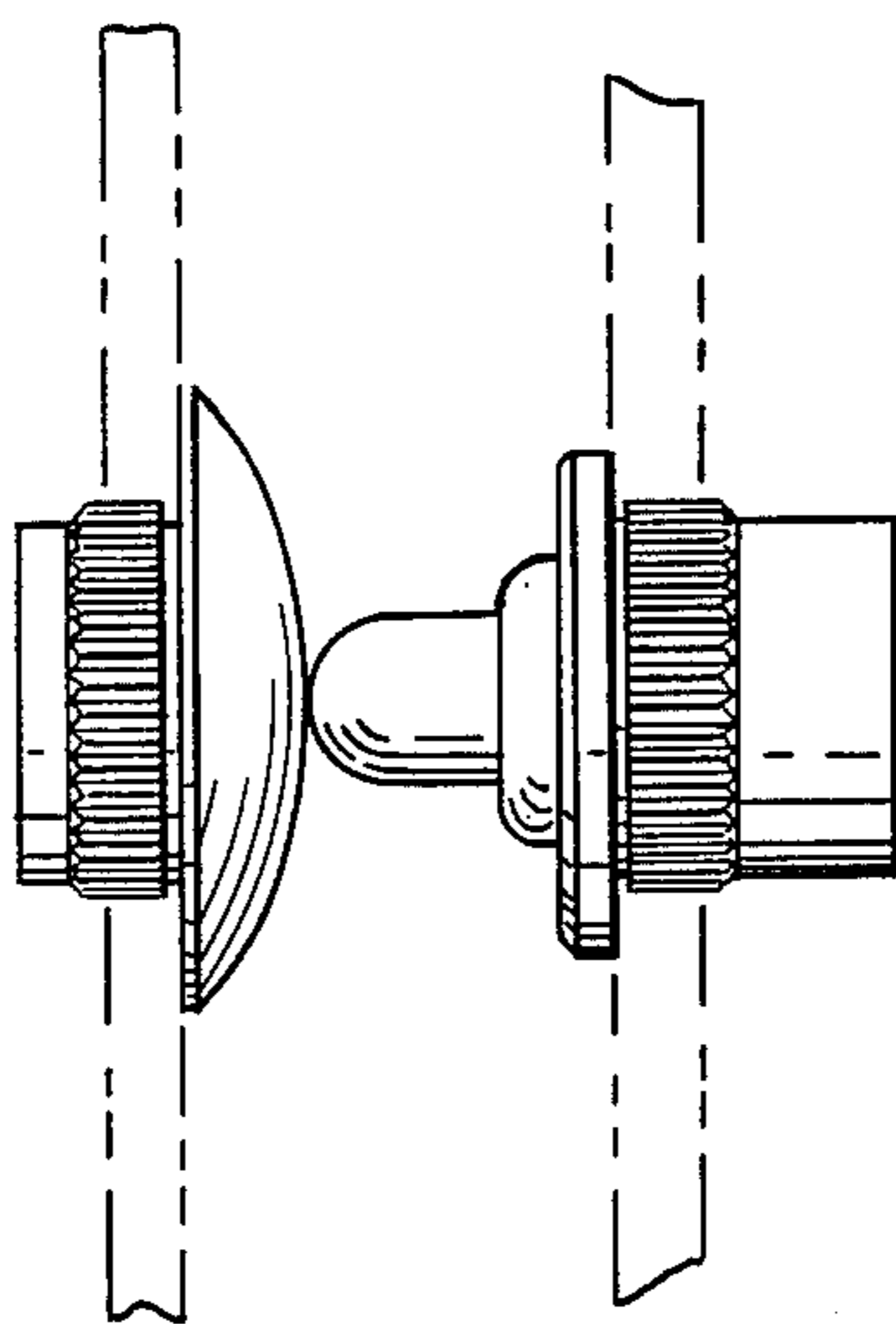
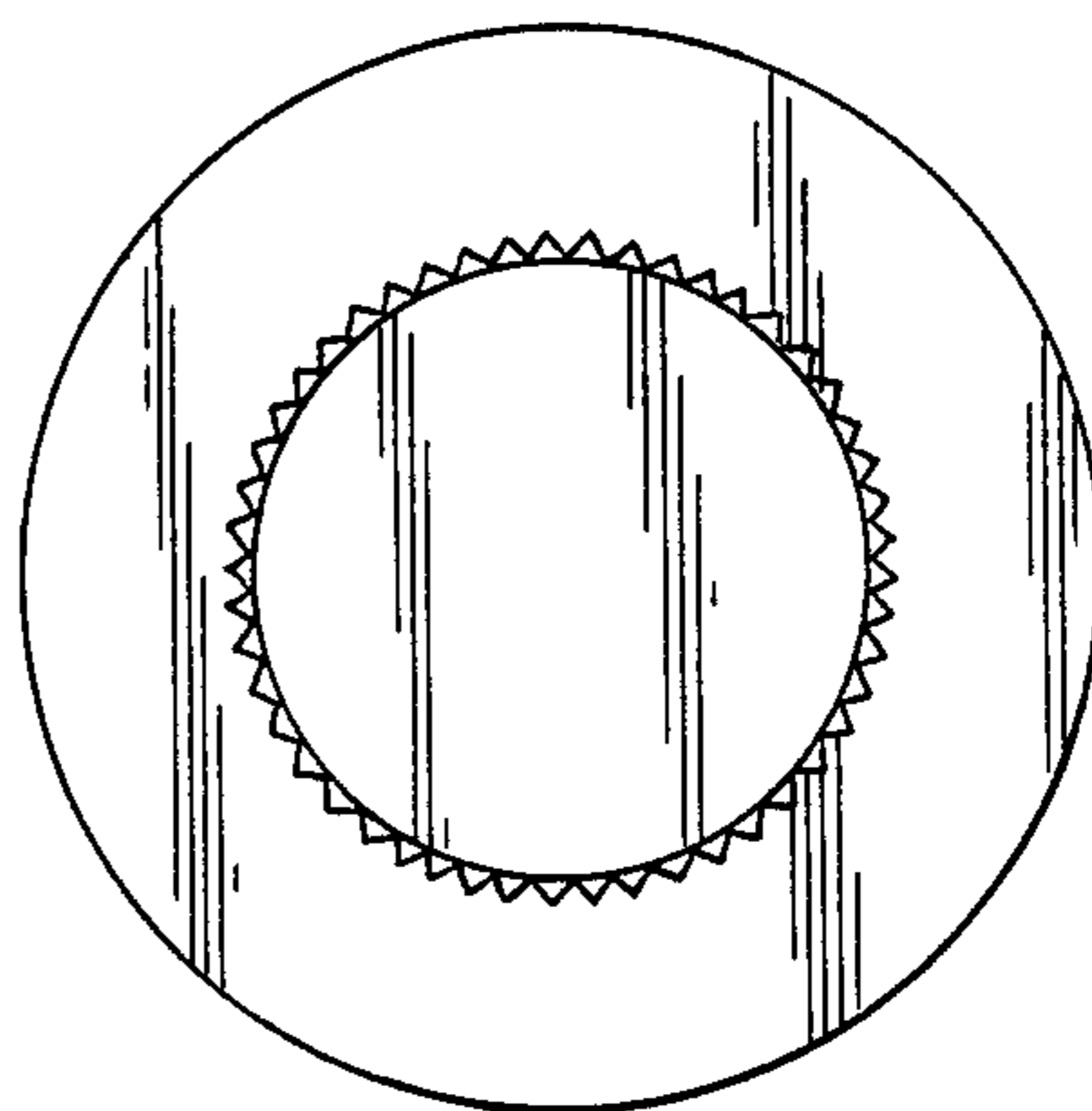
**FIG. 7**



**FIG. 8**



**FIG. 9**



**FIG. 10**