

[54] FOLDING HUB ASSEMBLY FOR PROPELLER BLADES

FOREIGN PATENT DOCUMENTS

407547 10/1944 Italy 146/142 R

[76] Inventor: Thomas C. Kerr, 7824 Lexington Ave., Philadelphia, Pa. 19152

Primary Examiner—Wallace R. Burke
Assistant Examiner—Kay H. Chin
Attorney, Agent, or Firm—Steele, Gould & Fried

[**] Term: 14 Years

[57] CLAIM

[21] Appl. No.: 201,093

The ornamental design for a folding hub assembly for propeller blades, as shown and described.

[22] Filed: Jun. 1, 1988

DESCRIPTION

[52] U.S. Cl. D12/214

[58] Field of Search D12/214; 146/142 R, 146/142 A

FIG. 1 is a front elevational view of a folding hub assembly for propeller blades showing my new design; FIG. 2 is a rear elevational view thereof; FIG. 3 is a side elevational view thereof, the opposite side view being a mirror image of that shown; FIG. 4 is an end elevational view thereof, the opposite end view being a mirror image of that shown; FIG. 5 is a front perspective view thereof; and FIG. 6 is a front perspective view thereof showing the propeller shaft attachment.

[56] References Cited

U.S. PATENT DOCUMENTS

- D. 171,582 3/1954 Conrad D12/214
- D. 203,780 2/1966 Beck 416/142 A
- 3,715,171 2/1973 Kettner 416/142 A
- 4,768,927 9/1988 Munk 416/142 A



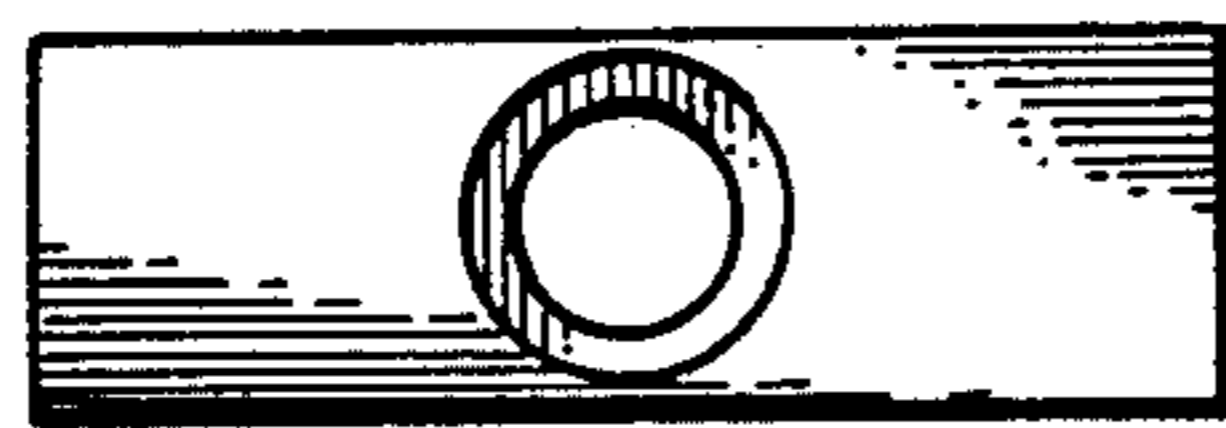


FIG. 1



FIG. 2

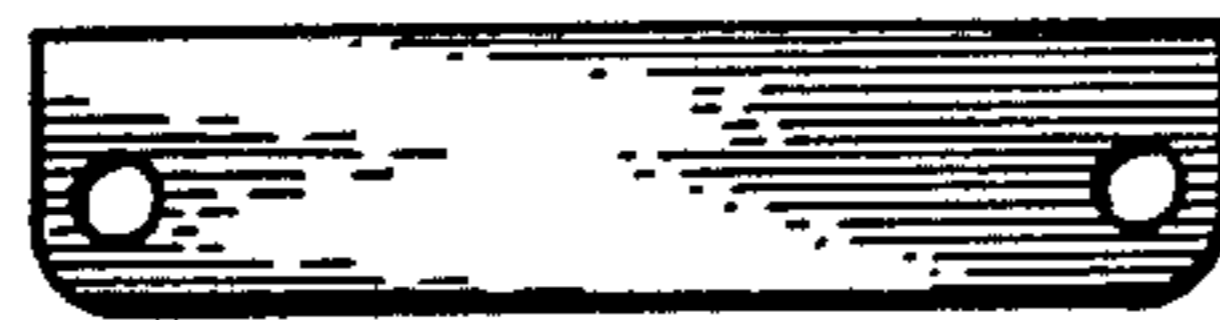


FIG. 3



FIG. 4

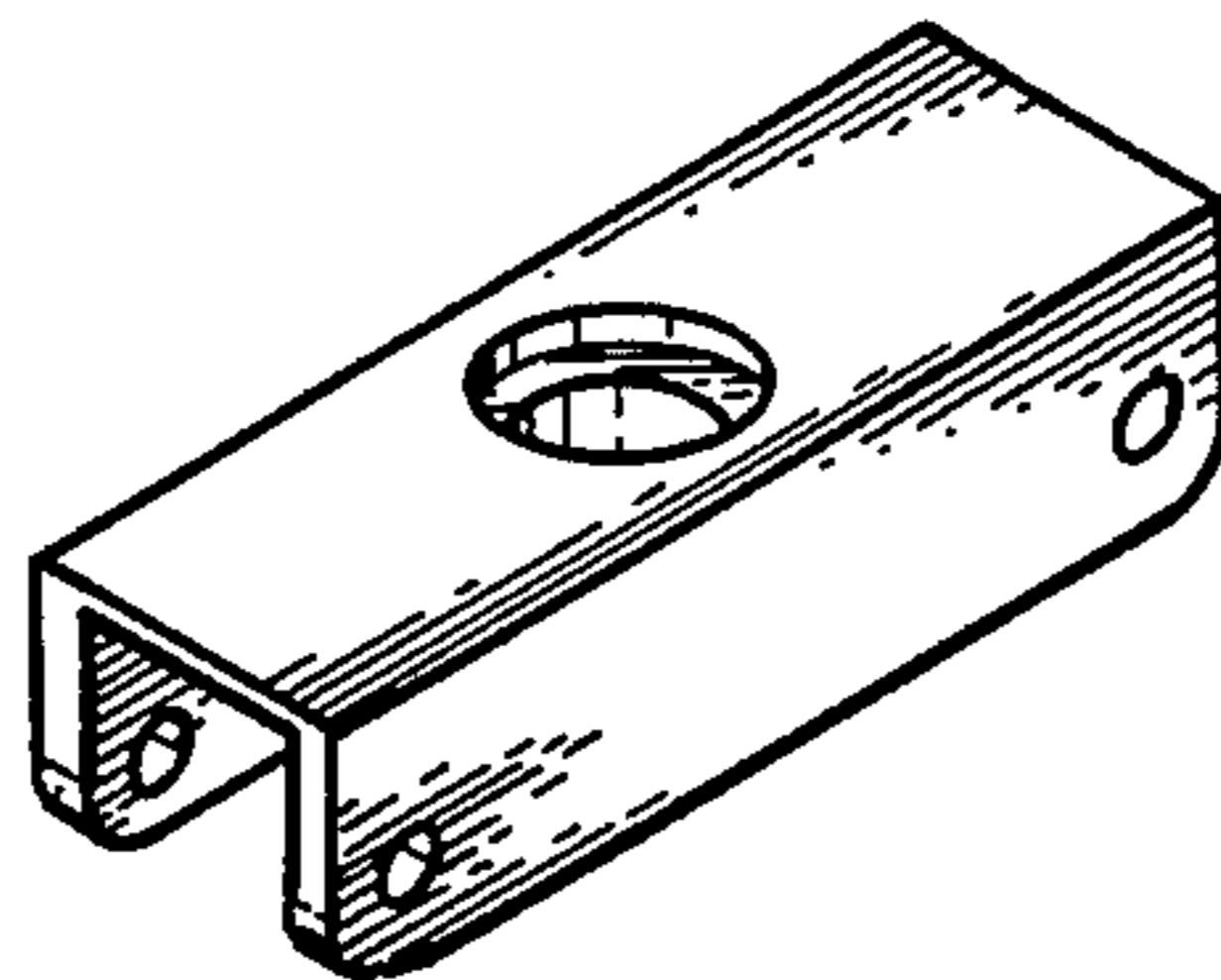


FIG. 5

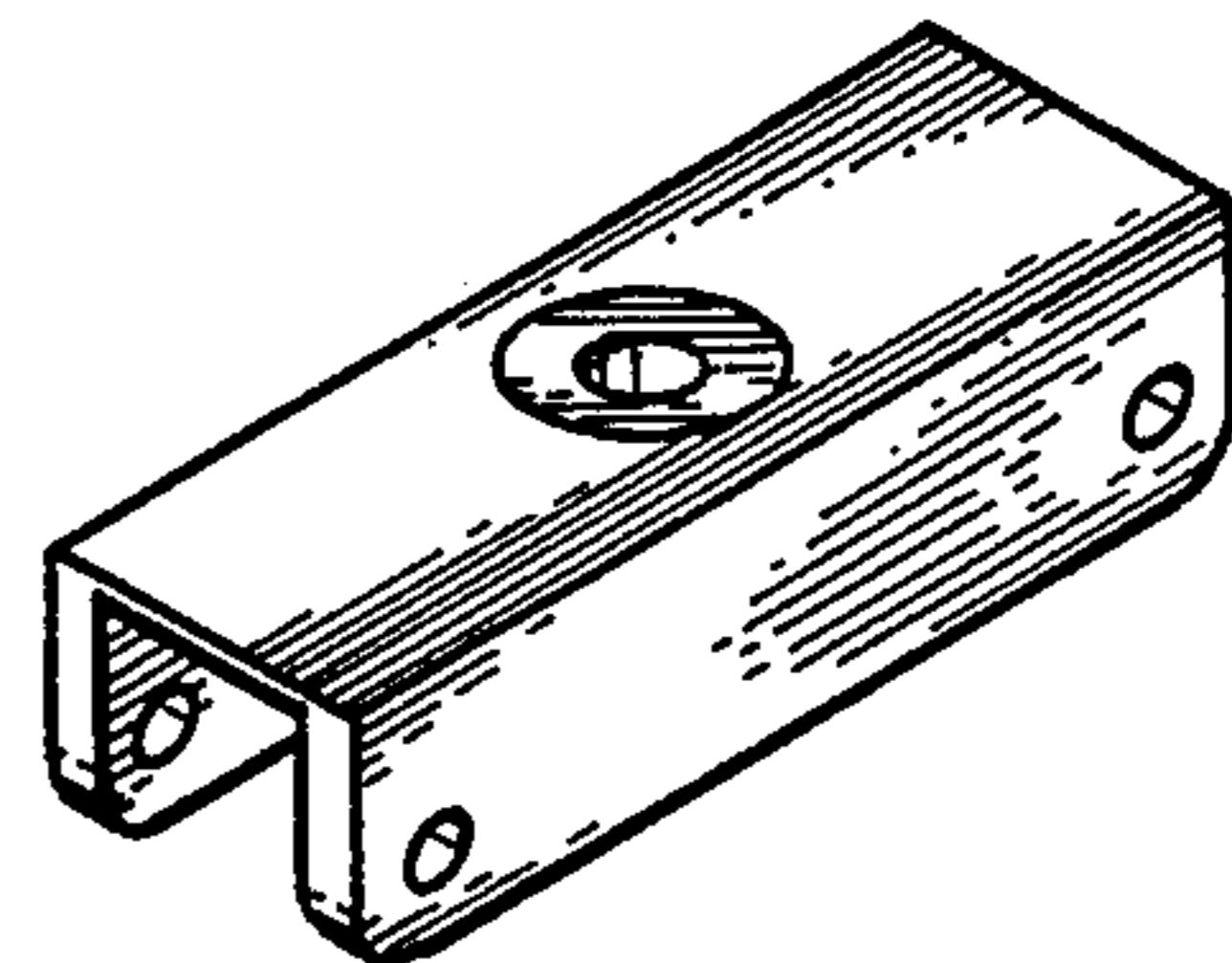


FIG. 6