

[54] **DERAILLEUR SHIFTER**

[75] **Inventor: Gilmore H. Chappell, Philadelphia, Pa.**

[73] **Assignee: Bike-O-Matic Ltd., Audubon, Pa.**

[\*\*] **Term: 14 Years**

[21] **Appl. No.: 45,140**

[22] **Filed: May 4, 1987**

[52] **U.S. Cl. .... D12/124**

[58] **Field of Search ..... D12/124, 179; 74/475, 74/489, 531**

[56] **References Cited**

**U.S. PATENT DOCUMENTS**

4,322,209 3/1982 Shimano ..... D12/124

**OTHER PUBLICATIONS**

American Bicyclist & Motorcyclist, 12/86, p. 108, Bike-O-Matic Derailleur Shifter.

*Primary Examiner*—James M. Gandy

*Assistant Examiner*—Melody Brown

*Attorney, Agent, or Firm*—Steele, Gould & Fried

[57] **CLAIM**

The ornamental design for a derailleur shifter, as shown and described.

**DESCRIPTION**

FIG. 1 is a perspective view of a derailleur shifter showing my new design;

FIG. 2 is a front elevational view thereof;

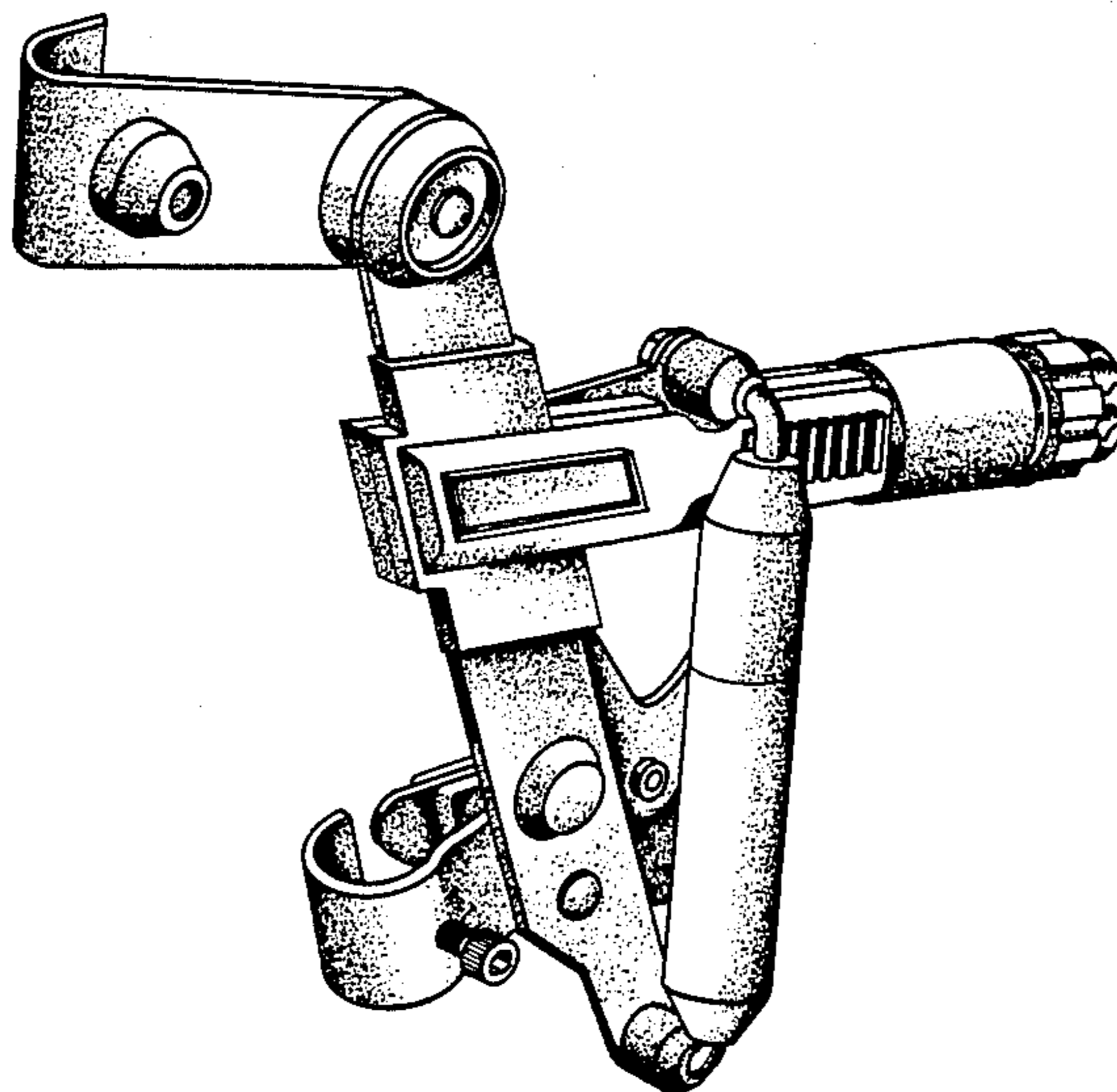
FIG. 3 is a rear elevational view thereof;

FIG. 4 is a left side elevational view thereof;

FIG. 5 is a right side elevational view thereof;

FIG. 6 is a top plan view thereof; and

FIG. 7 is a bottom plan view thereof.



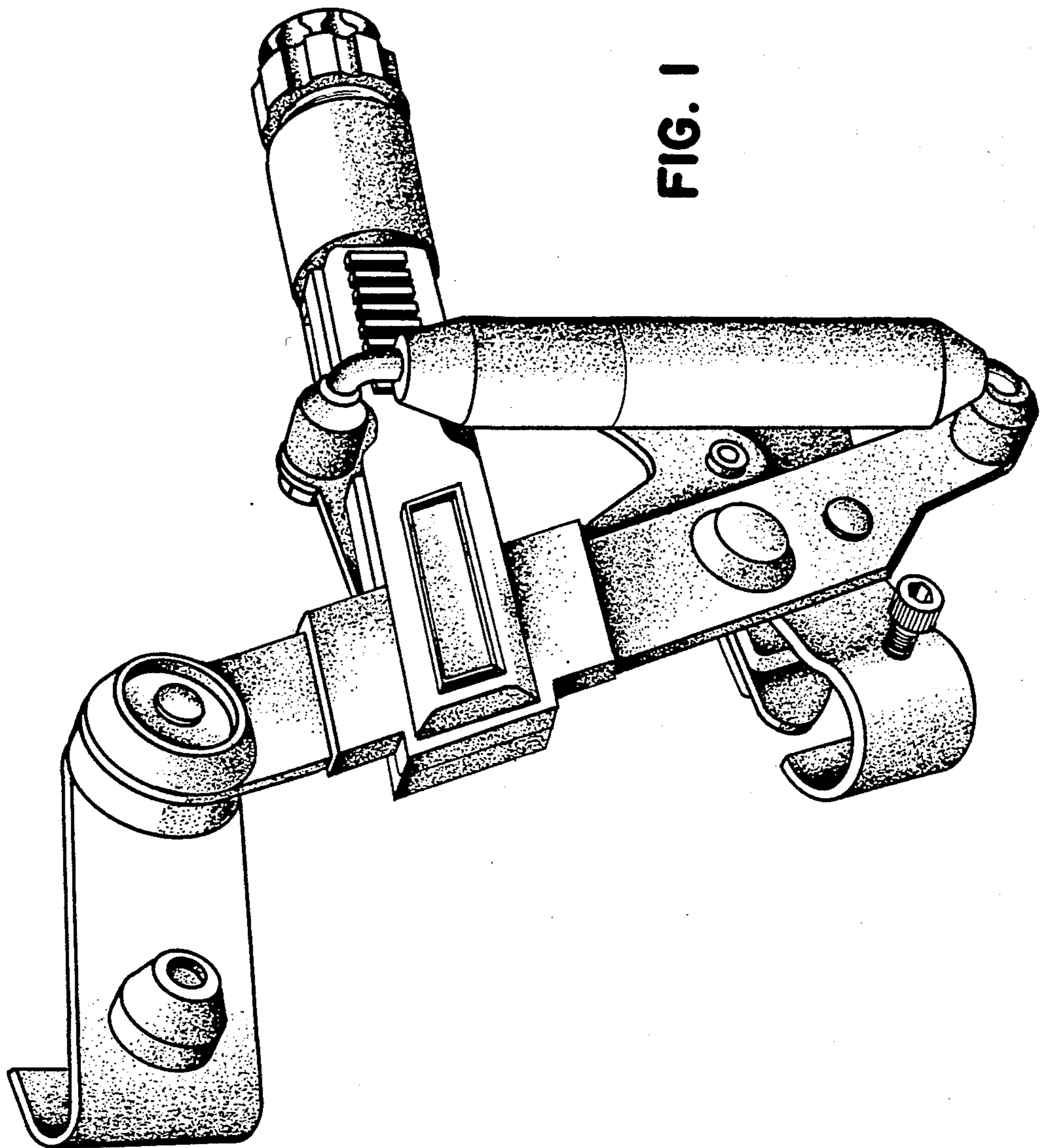


FIG. 1

FIG. 2

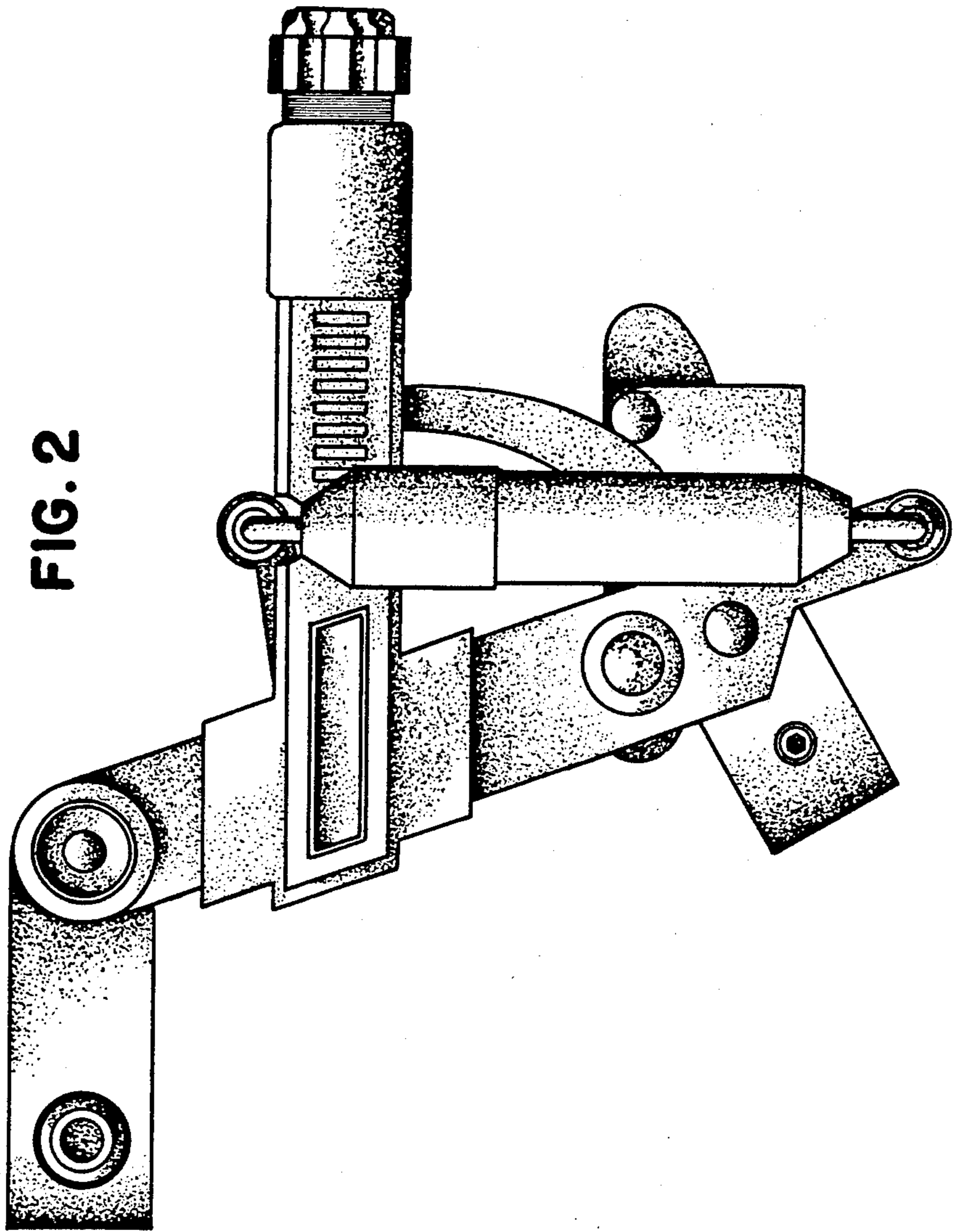
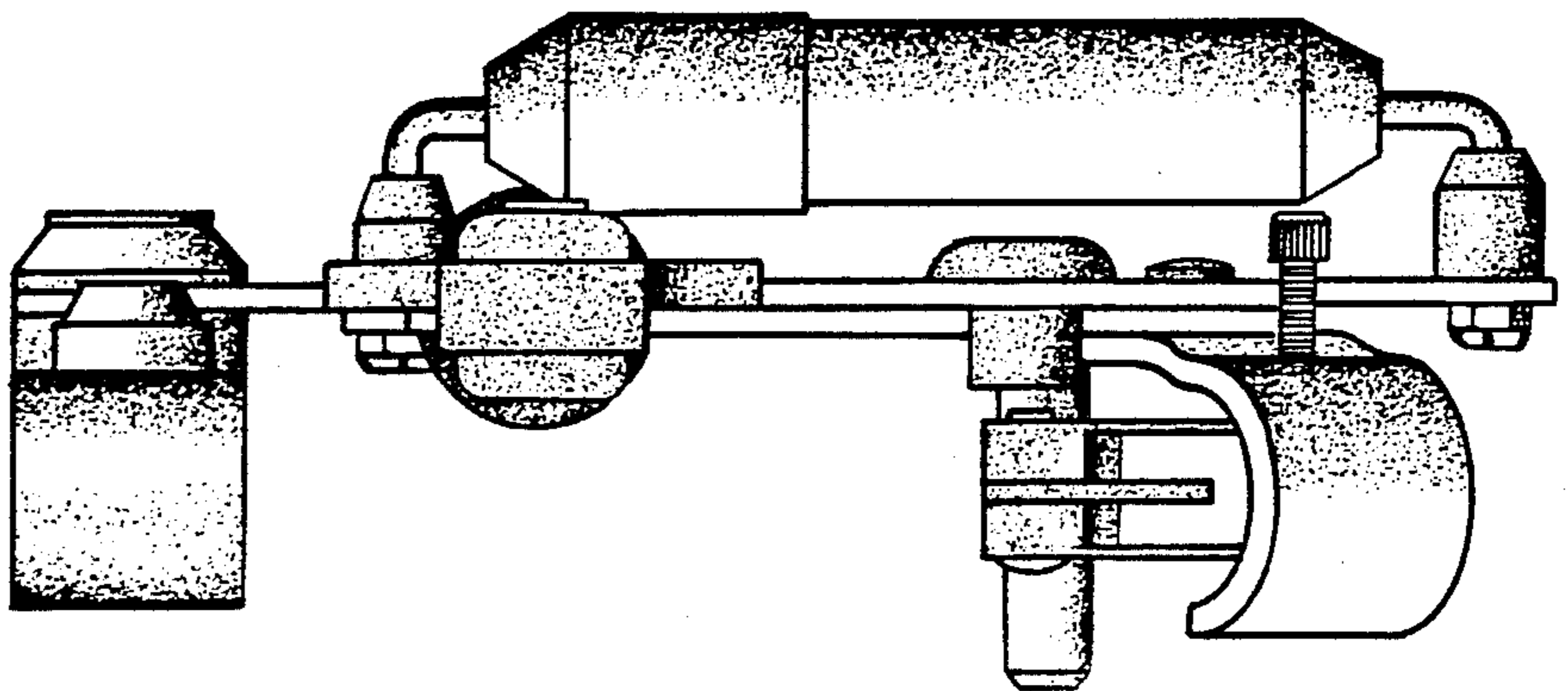


FIG. 5



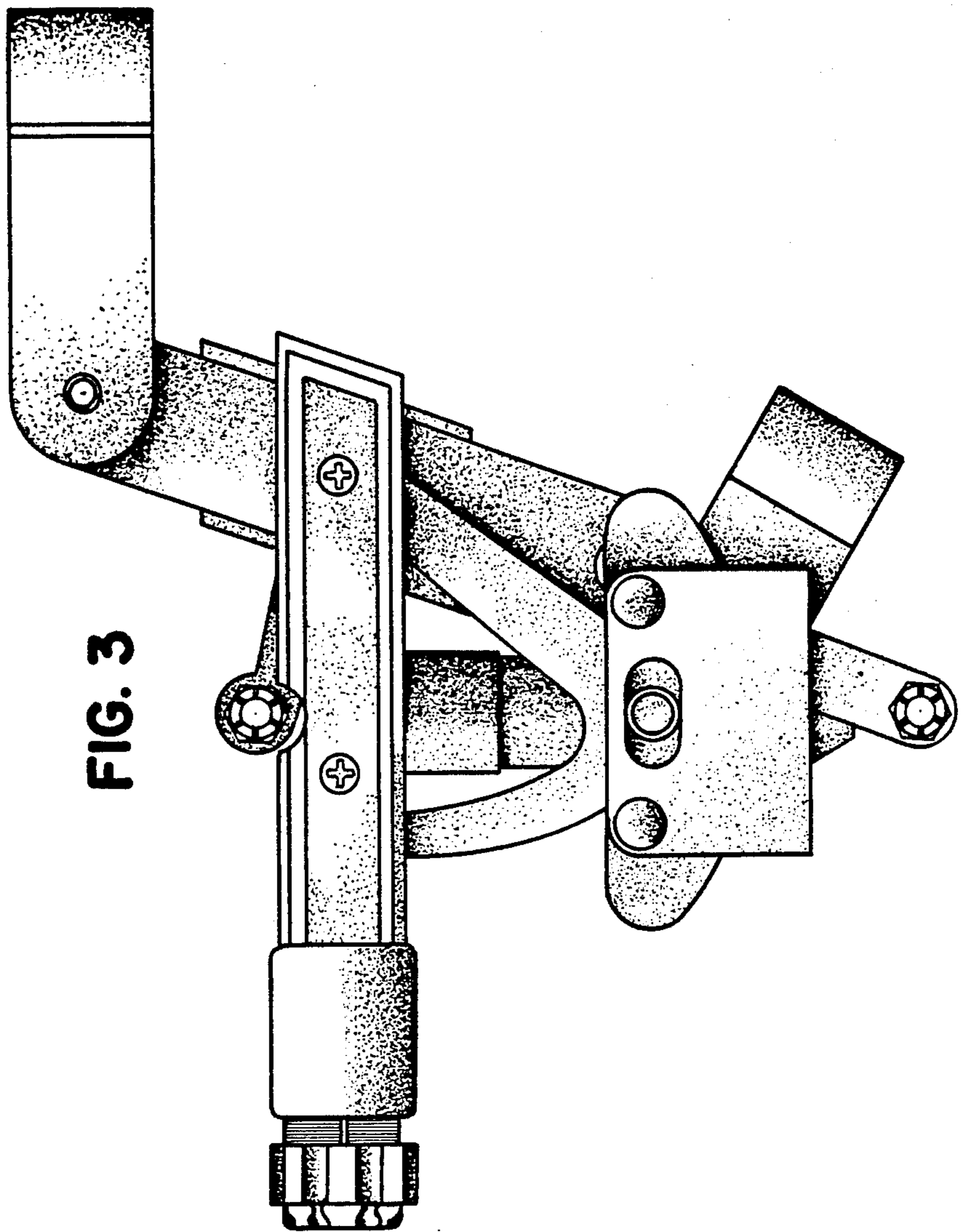


FIG. 3

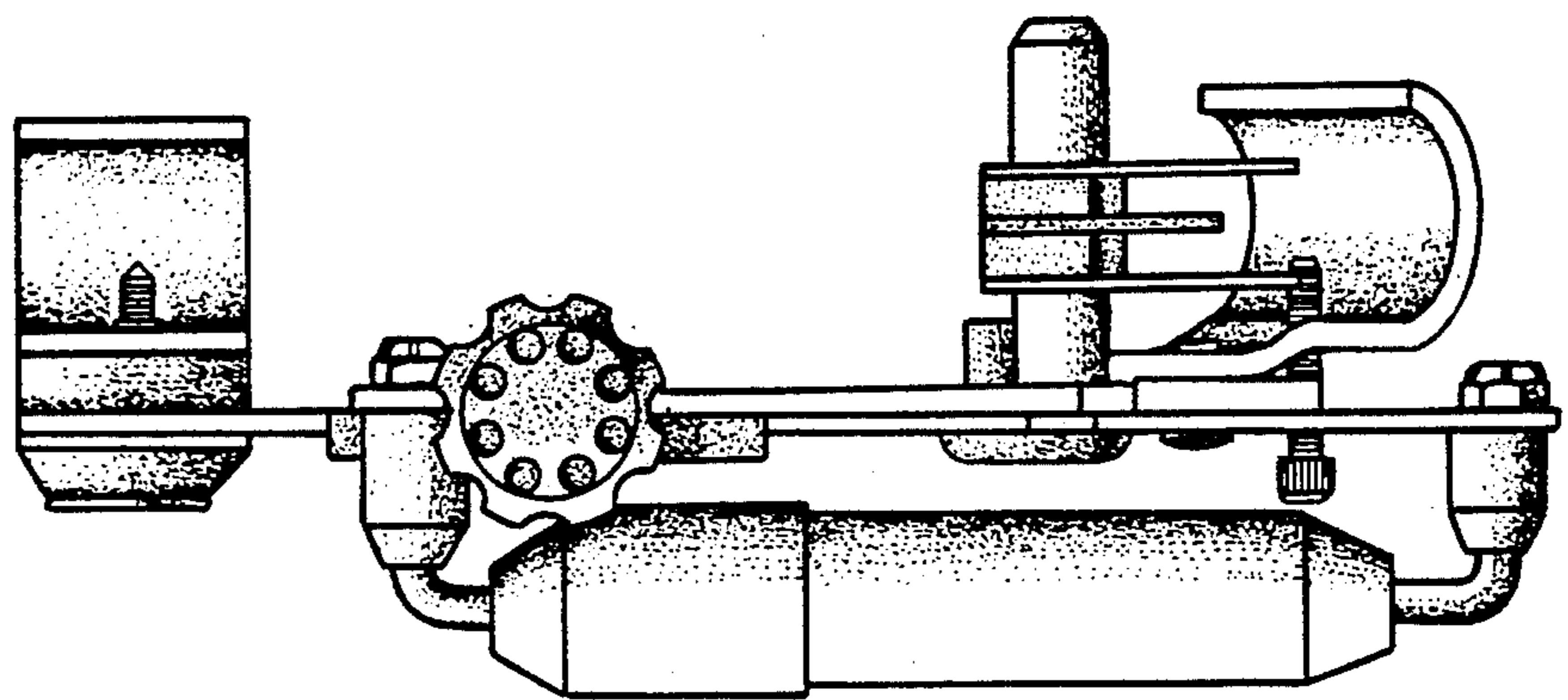


FIG. 4

