

[54] **FIFTH WHEEL LATCH RELEASE HOOK**

[76] **Inventor: Walter E. Ethridge, P.O. Box 462, Iva, S.C. 29655**

[**] **Term: 14 Years**

[21] **Appl. No.: 104,486**

[22] **Filed: Oct. 5, 1987**

[52] **U.S. Cl. D12/161**

[58] **Field of Search D12/161; 294/12, 19.1, 294/24, 26; D6/323; D8/367, 380**

[56] **References Cited**

U.S. PATENT DOCUMENTS

4,208,062	6/1980	Maassen	280/434
4,227,713	10/1980	Blodgett, Jr. et al.	280/434
4,394,030	7/1983	Inoue	280/434
4,592,566	6/1986	Inoue et al.	280/433

FOREIGN PATENT DOCUMENTS

3134765	2/1983	Fed. Rep. of Germany	280/433
0123572	9/1980	Japan	280/433

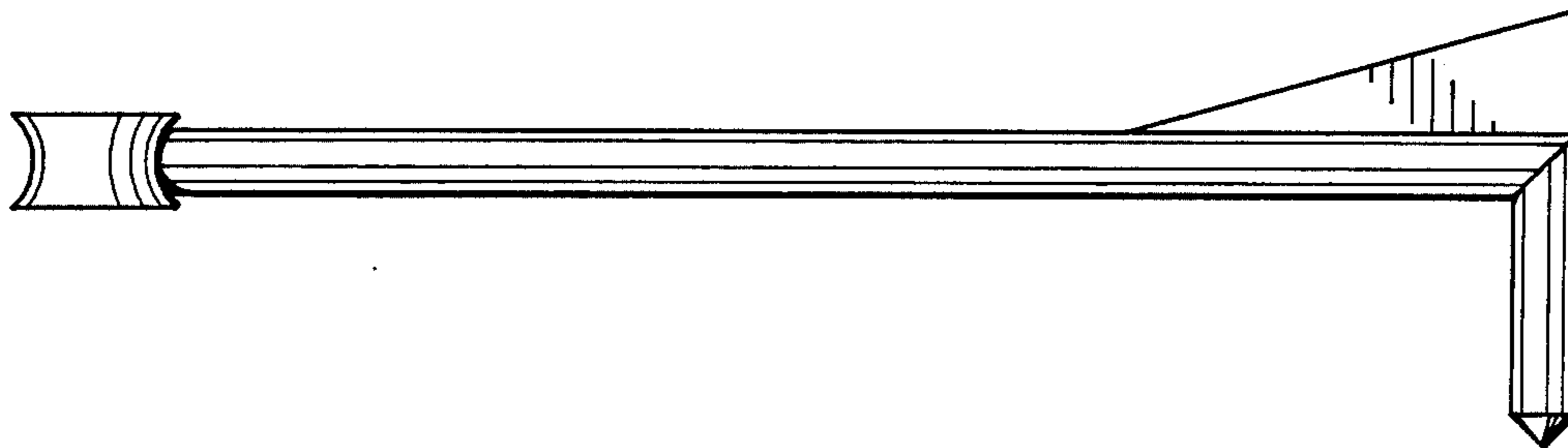
Primary Examiner—James M. Gandy
Assistant Examiner—Melody Brown
Attorney, Agent, or Firm—Jerry T. Kearns

[57] **CLAIM**

The ornamental design for a fifth wheel latch release hook, as shown.

DESCRIPTION

FIG. 1 is a front elevational view of a fifth wheel latch release hook showing my new design;
FIG. 2 is a rear elevational view thereof;
FIG. 3 is a right side elevational view thereof;
FIG. 4 is a left side elevational view thereof;
FIG. 5 is a top plan view thereof; and,
FIG. 6 is a bottom plan view thereof.



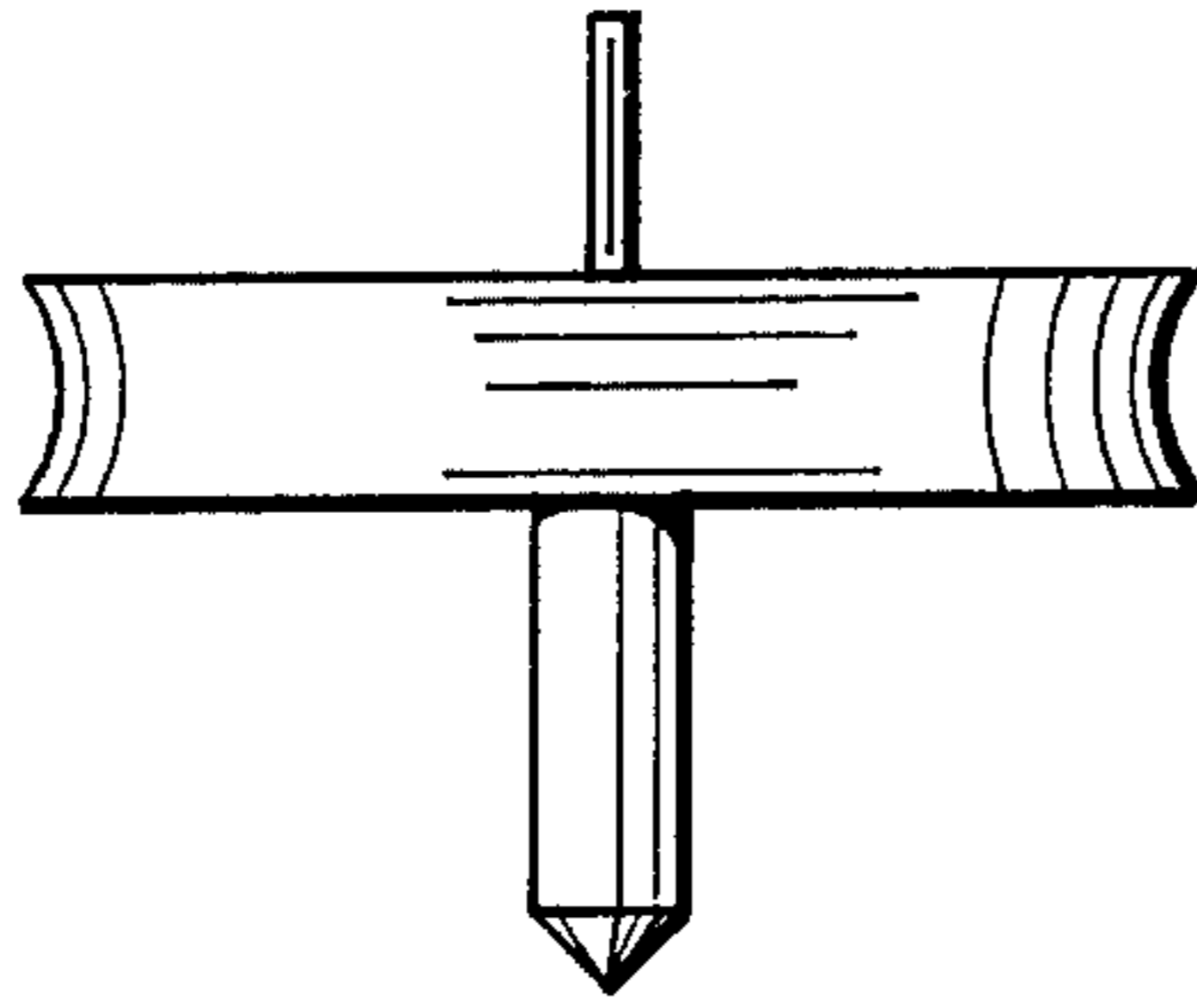


Fig. 1

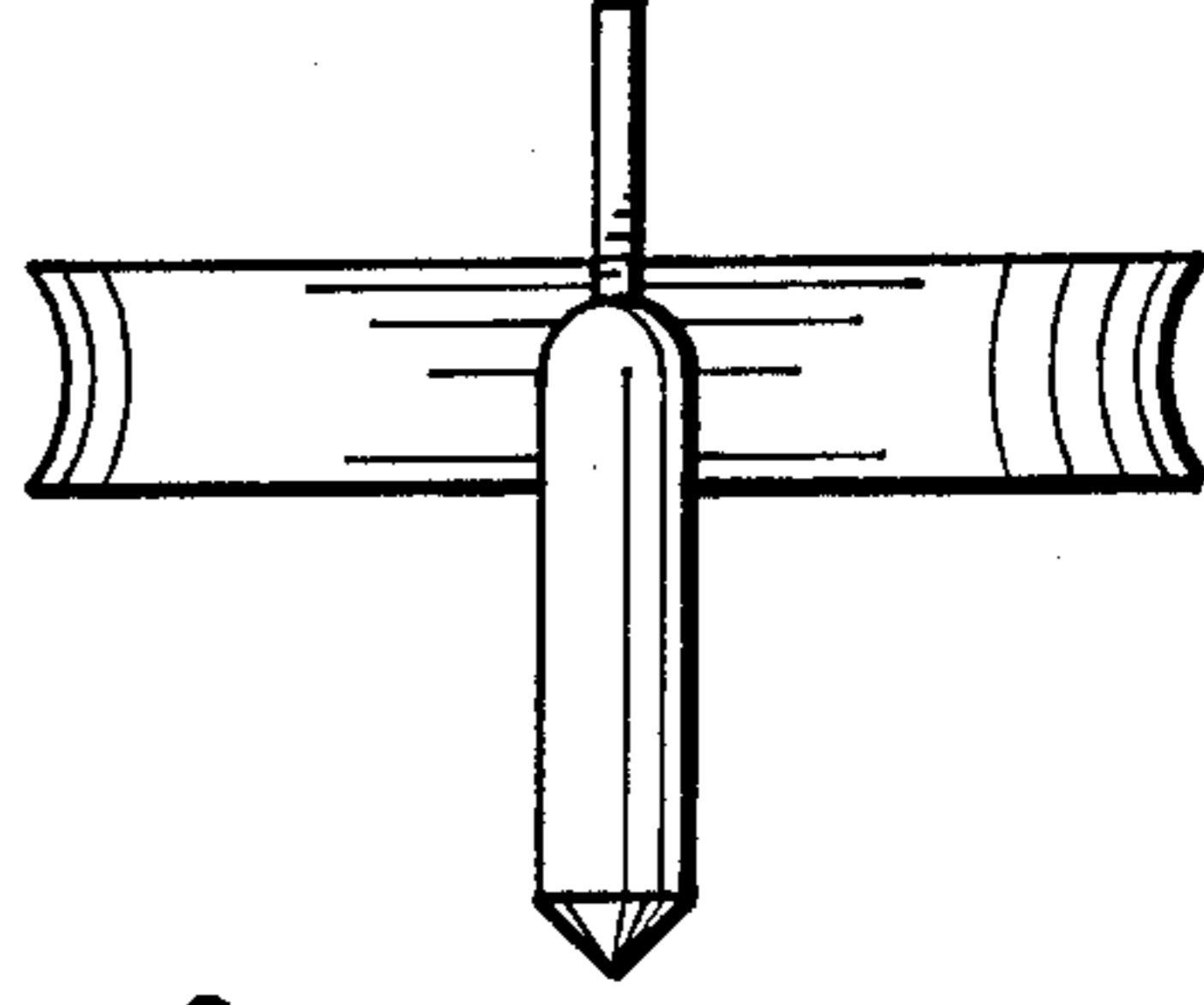


Fig. 2

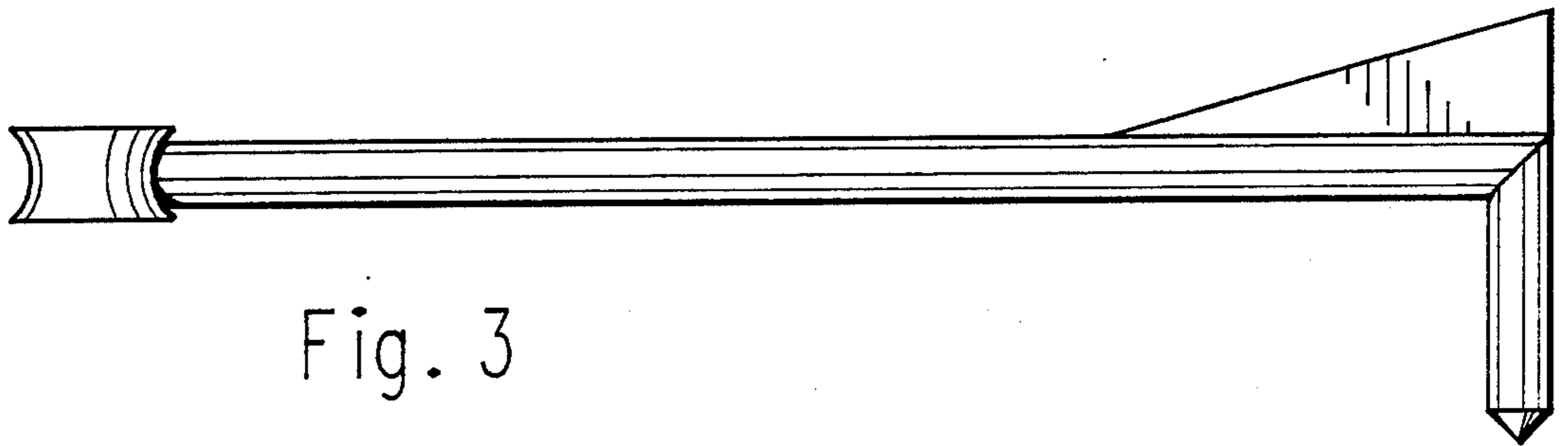


Fig. 3

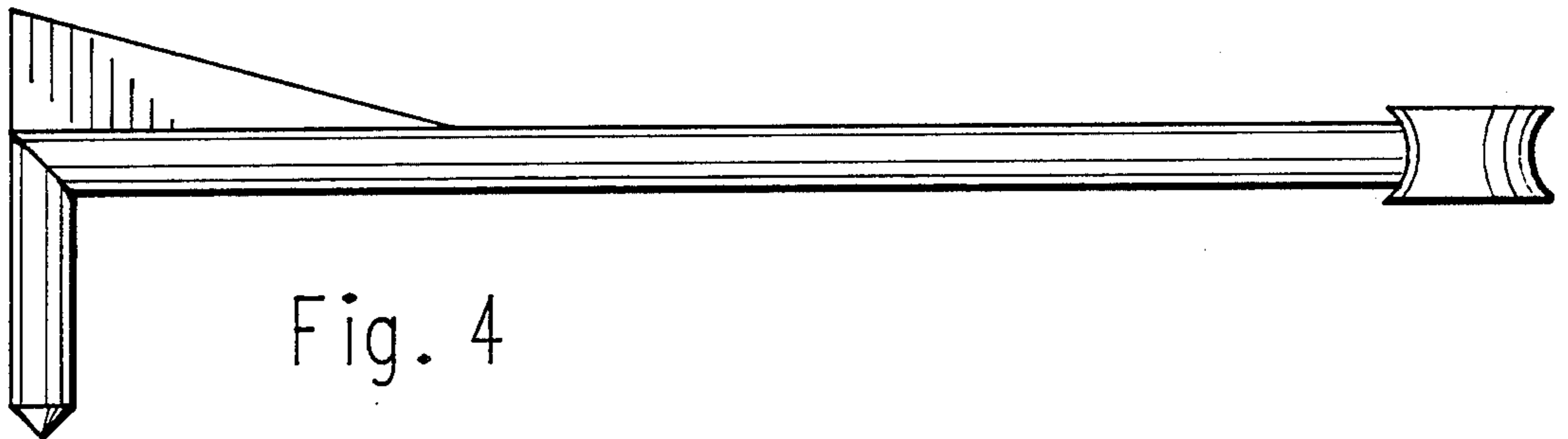


Fig. 4

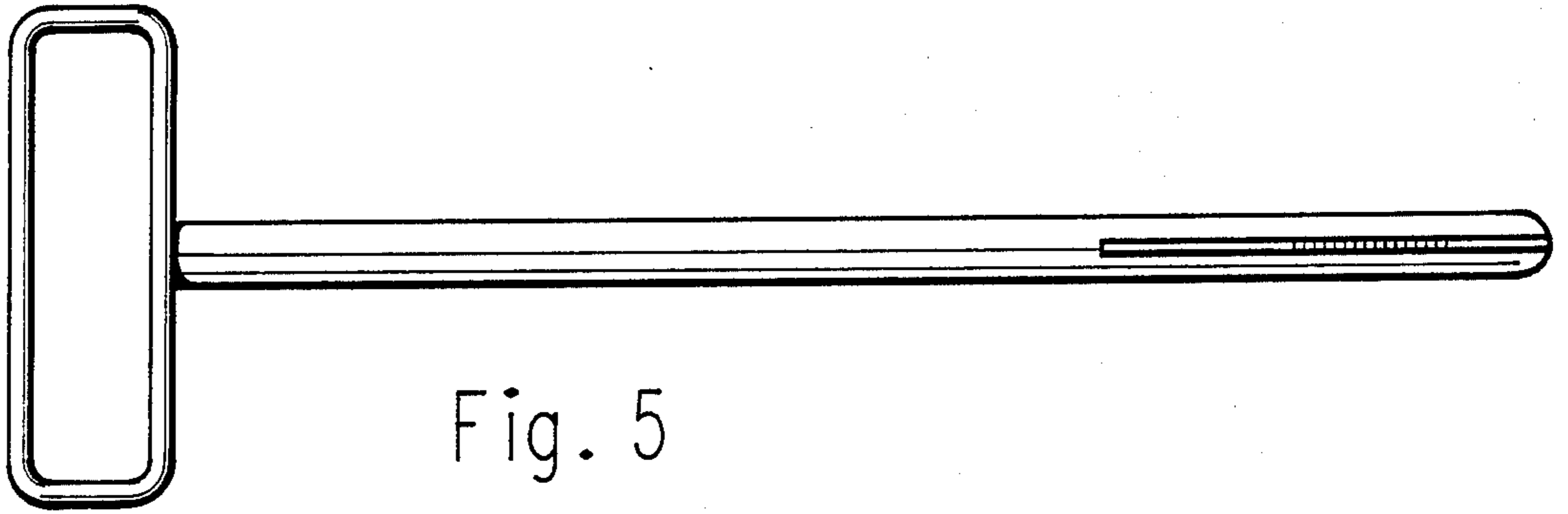


Fig. 5

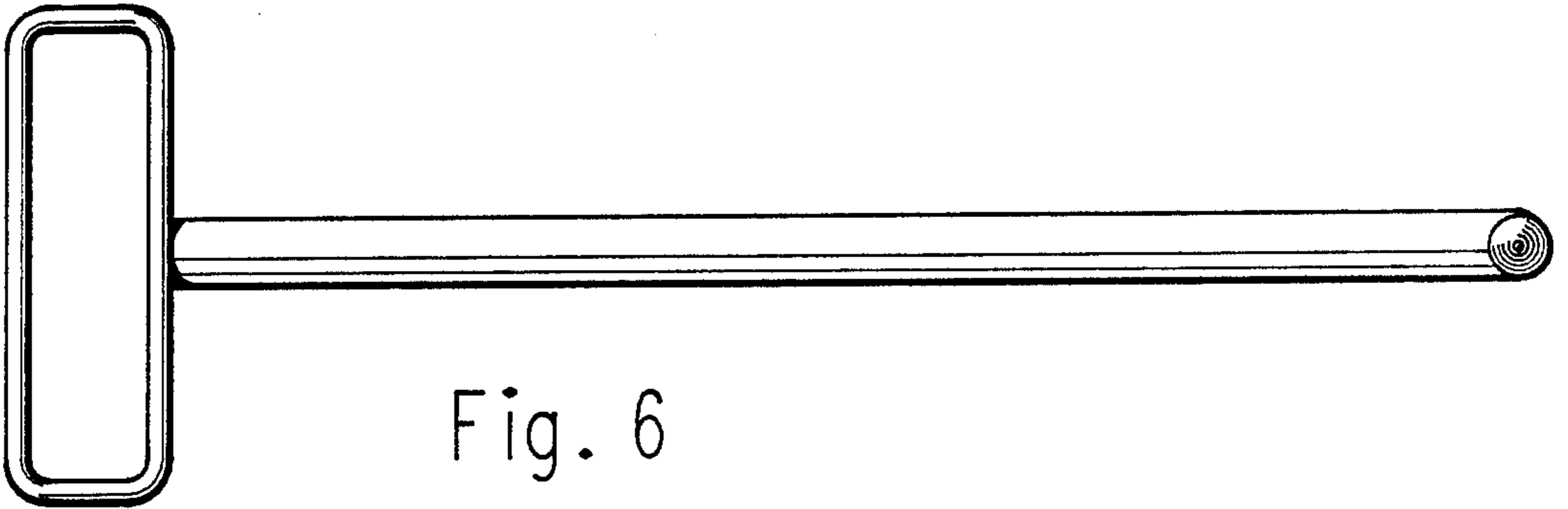


Fig. 6