

[54] **VEHICLE TOWING TRAILER**

[75] **Inventor: Jack R. Level, Plano, Tex.**

[73] **Assignee: Tow Pro, Inc., McKinney, Tex.**

[\*\*] **Term: 14 Years**

[21] **Appl. No.: 10,119**

[22] **Filed: Jan. 30, 1987**

[52] **U.S. Cl. .... D12/101**

[58] **Field of Search ..... D12/101, 14; 414/537,  
414/538, 563; 280/402, 63**

[56] **References Cited**

**U.S. PATENT DOCUMENTS**

2,541,582	2/1951	Hawkins .....	414/563
3,494,635	2/1970	Denny .....	280/402
3,720,330	3/1973	Forse et al. ....	280/402
3,896,949	7/1975	Shipley .....	414/563
3,913,934	10/1975	Koehn et al. ....	D12/101

**FOREIGN PATENT DOCUMENTS**

0656356 6/1986 Switzerland ..... 414/563

**OTHER PUBLICATIONS**

Demco Car Caddy Flyer, Kar Kaddy Trailer.

*Primary Examiner*—James M. Gandy

*Assistant Examiner*—Melody Brown

*Attorney, Agent, or Firm*—Daniel Rubin

[57] **CLAIM**

The ornamental design for a vehicle towing trailer, as shown and described.

**DESCRIPTION**

FIG. 1 is a top perspective view of a vehicle towing trailer showing my new design;

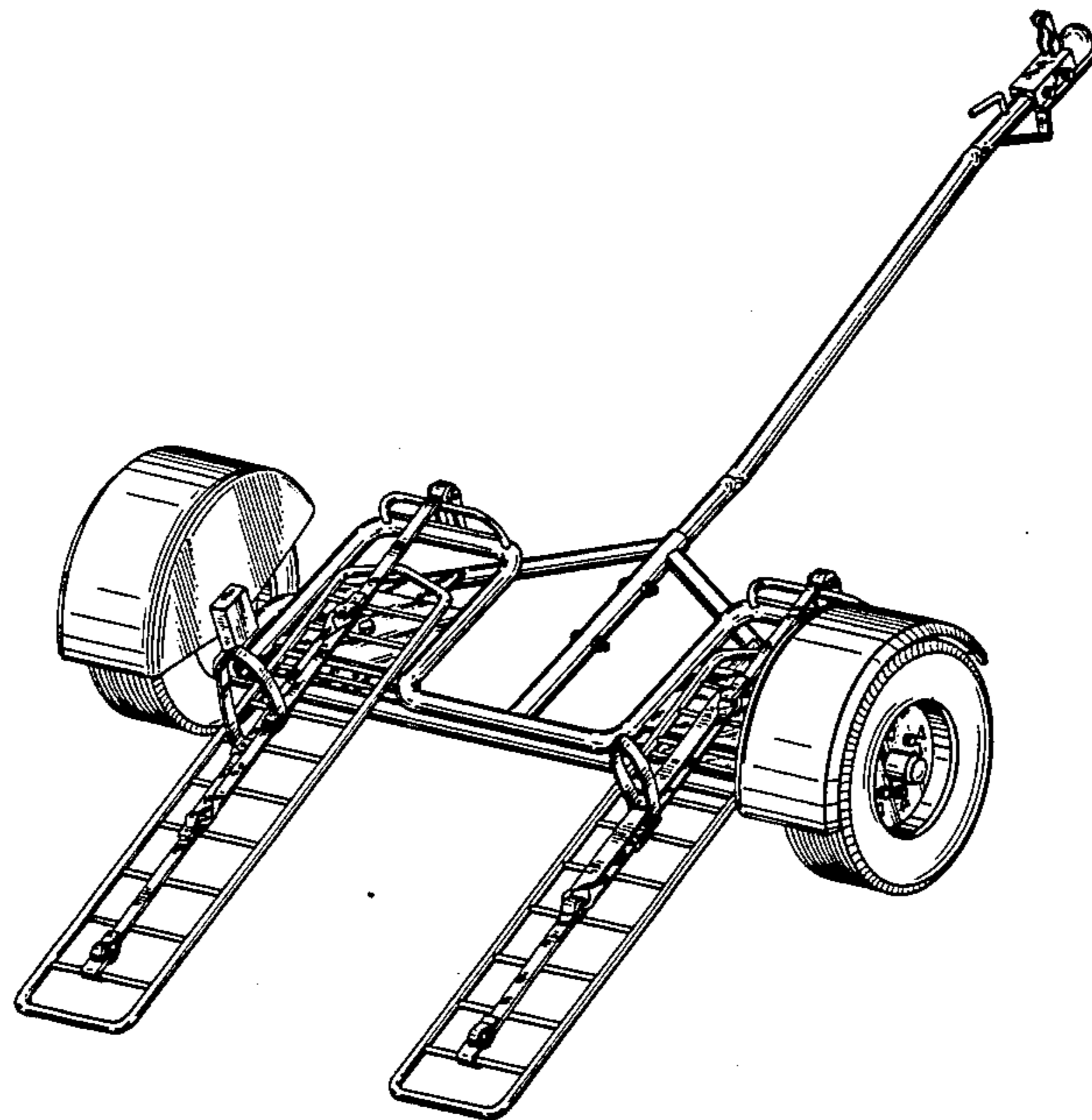
FIG. 2 is a right side elevation view thereof (the left side elevation being a mirror image of FIG. 2);

FIG. 3 is a front elevation view thereof;

FIG. 4 is a rear elevation view thereof;

FIG. 5 is a top plan view thereof; and

FIG. 6 is a bottom plan view thereof.



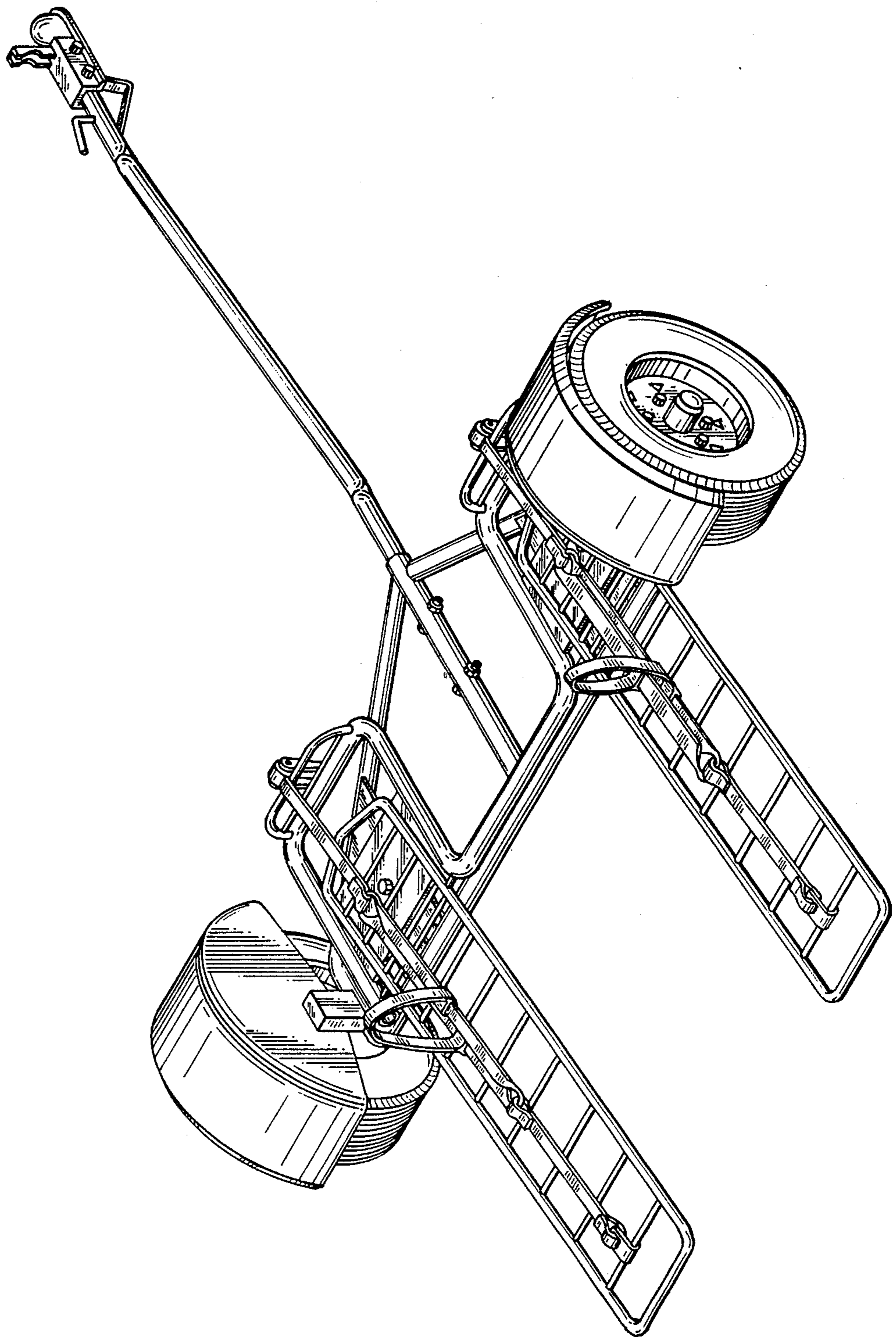


FIG. 1

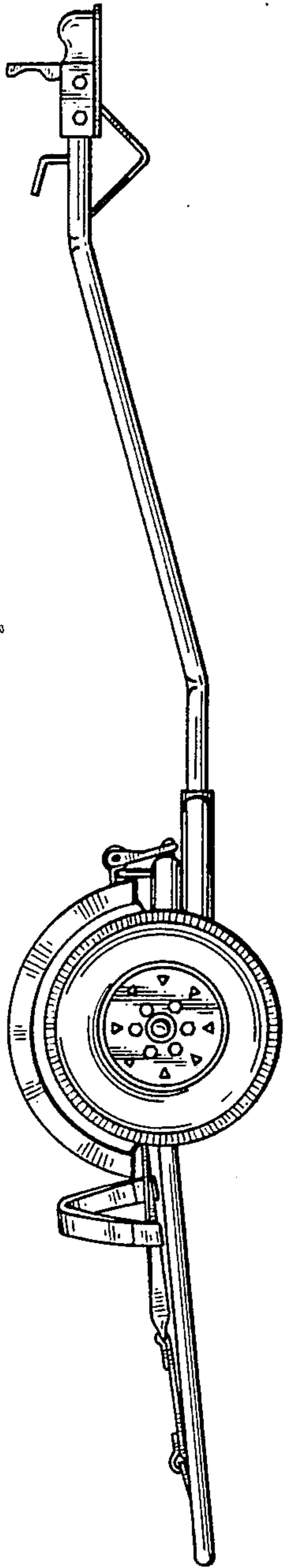


FIG. 2

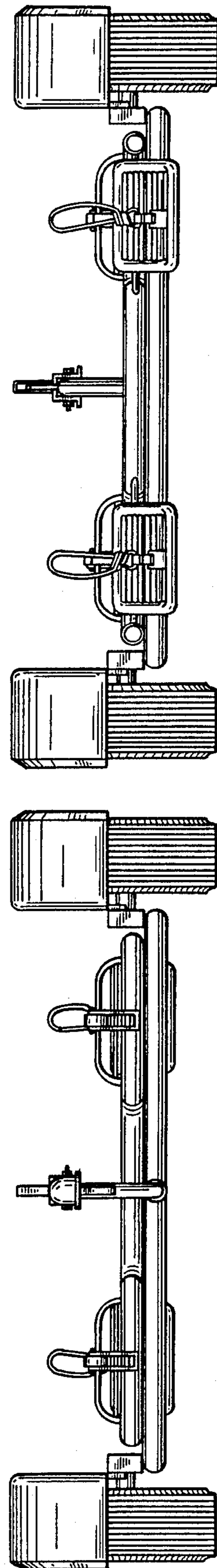


FIG. 3

FIG. 4

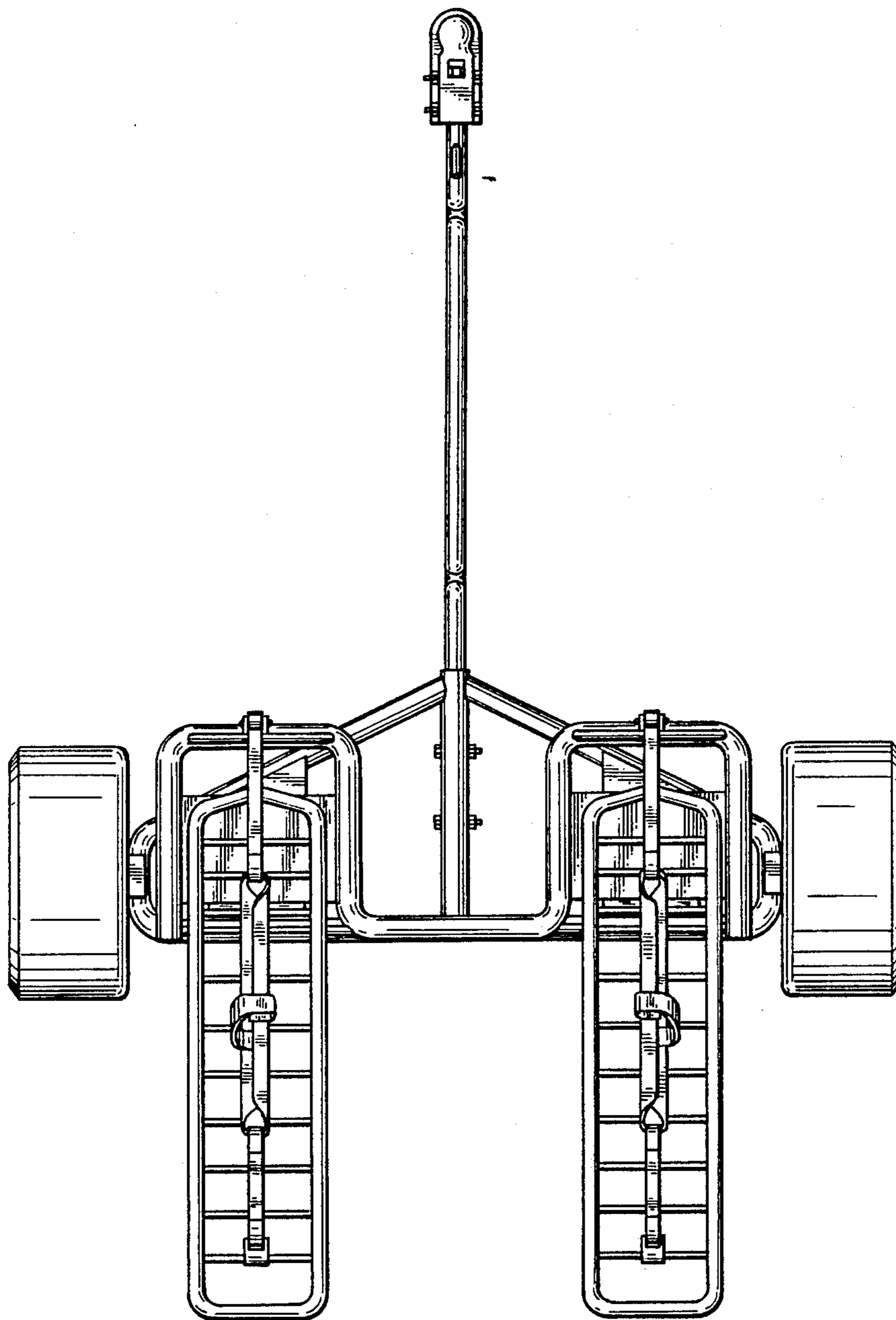


FIG. 5

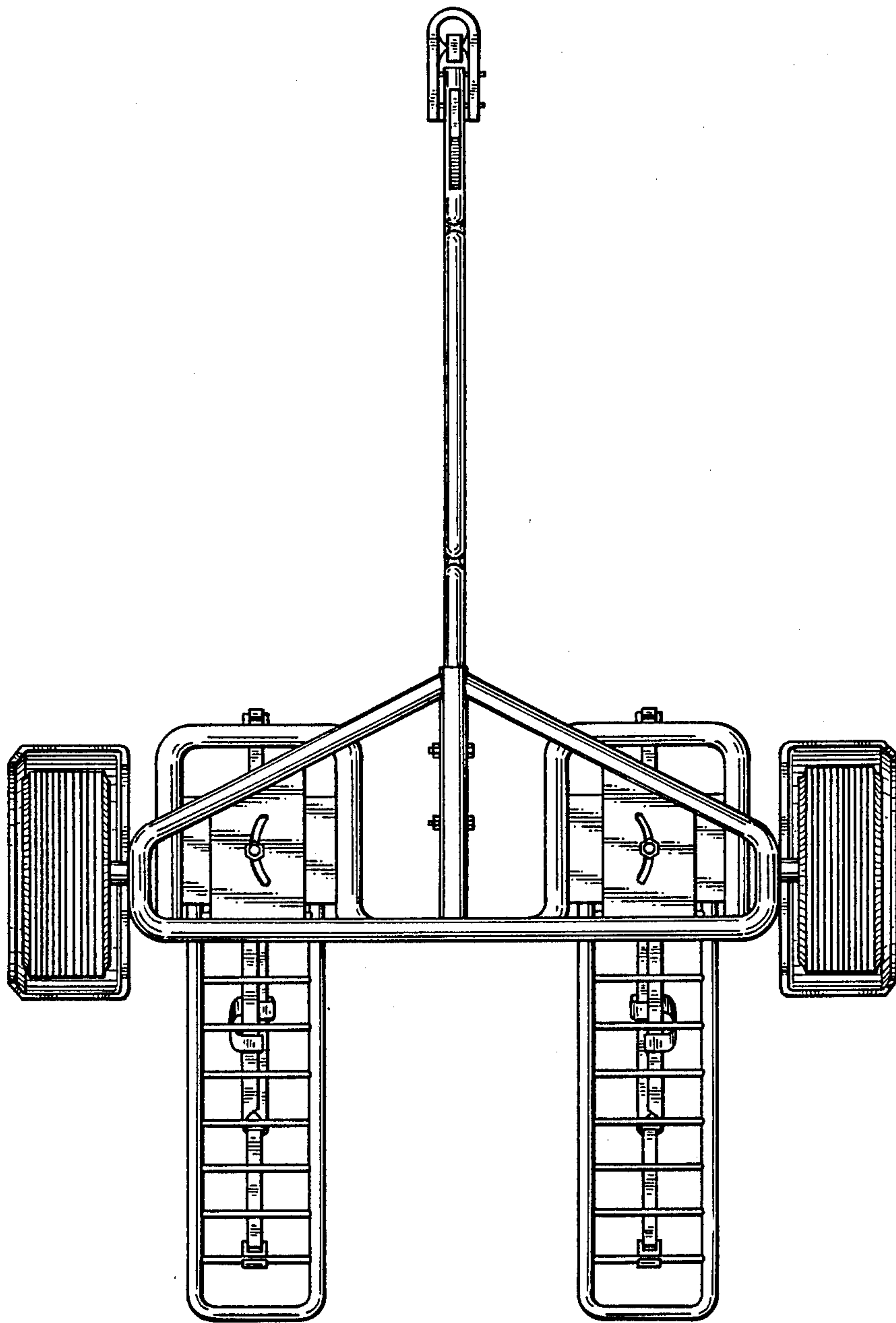


FIG. 6