

[54] **GRAPHIC PLOTTER**  
 [75] **Inventor: Yong Paik, San Jose, Calif.**  
 [73] **Assignee: AM International Corporation, Chicago, Ill.**  
 [\*\*] **Term: 14 Years**  
 [21] **Appl. No.: 67,355**  
 [22] **Filed: Jun. 29, 1987**  
 [52] **U.S. Cl. .... D10/46**  
 [58] **Field of Search .... D10/46, 61; 33/1 M, 33/1 M X, 1 B, 1 C; 346/29, 112, 139.00 R**

4,419,672 12/1983 Hird ..... 33/1 M X  
 4,512,079 4/1985 LeBlond ..... 33/1 M  
 4,763,140 9/1988 Niemeyer, III ..... 346/139 R  
 4,794,406 12/1988 Niemeyer, III ..... 346/139 R  
 4,794,408 12/1988 Niemeyer, III ..... 346/139 R  
 4,806,954 2/1989 Niemeyer, III ..... 346/139 R  
 4,827,293 5/1989 Niemeyer, III ..... 346/139 R  
 4,853,714 9/1989 Niemeyer, III ..... 346/139 R

*Primary Examiner*—Nelson C. Holtje  
*Assistant Examiner*—Antoine D. Davis  
*Attorney, Agent, or Firm*—Roy A. Ekstrand; Nicholas A. Camasto

[56] **References Cited**  
**U.S. PATENT DOCUMENTS**

D. 177,747 5/1956 Moseley ..... D10/46 X  
 D. 184,297 1/1959 Austin et al. .... D10/46 X  
 D. 184,479 2/1959 Hall et al. .... D10/46 X  
 D. 208,980 10/1967 Dykmans ..... D10/61 X  
 D. 243,021 1/1977 Walker et al. .... D10/46  
 D. 295,613 5/1988 Tanner ..... D10/46  
 3,305,873 2/1967 Mourier ..... 346/112  
 4,364,056 12/1982 Suzuki et al. .... 346/29

[57] **CLAIM**  
 The ornamental design for a graphic plotter, as shown and described.

**DESCRIPTION**

FIG. 1 is a front elevational view of a graphic plotter showing my new design;  
 FIG. 2 is a left side elevational view;  
 FIG. 3 is a right side elevational view;  
 FIG. 4 is a rear elevational view;  
 FIG. 5 is a top plan view; and  
 FIG. 6 is a bottom plan view thereof.

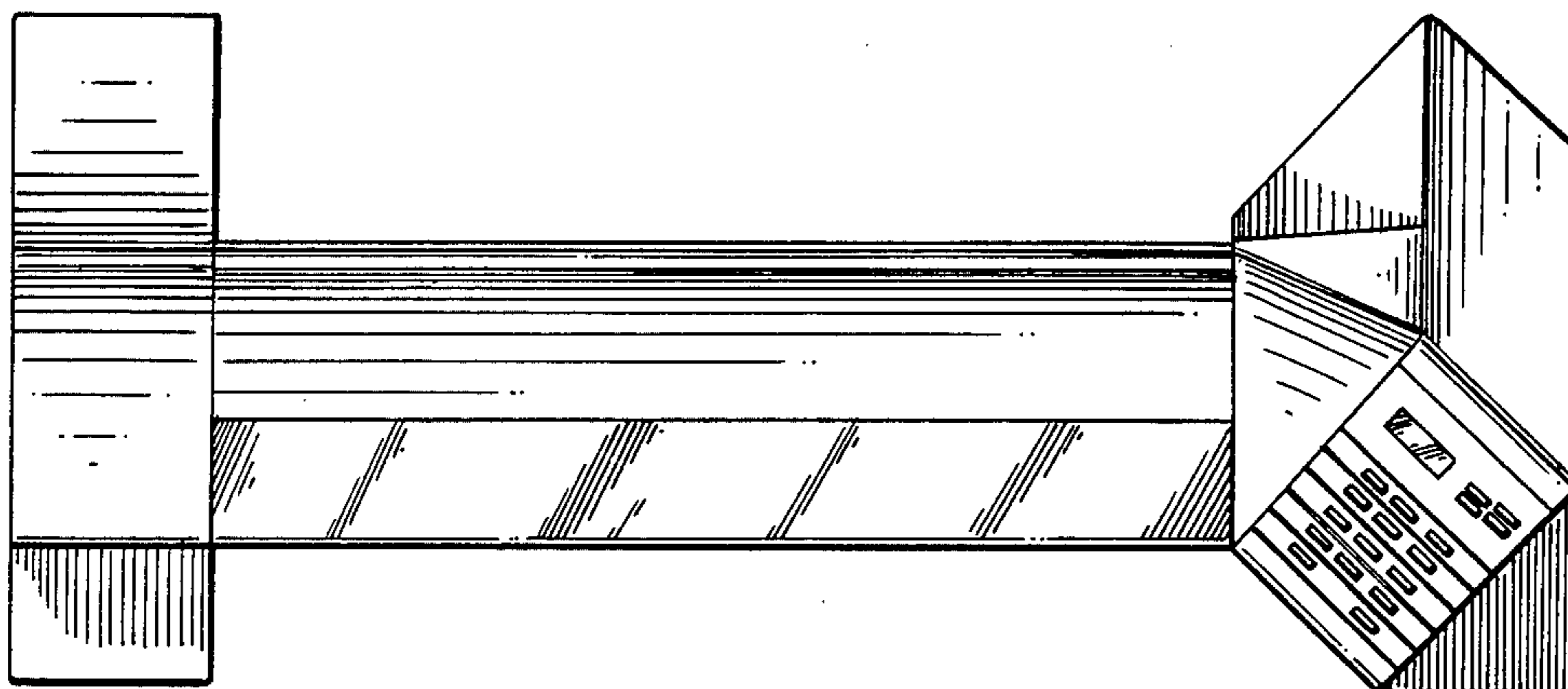
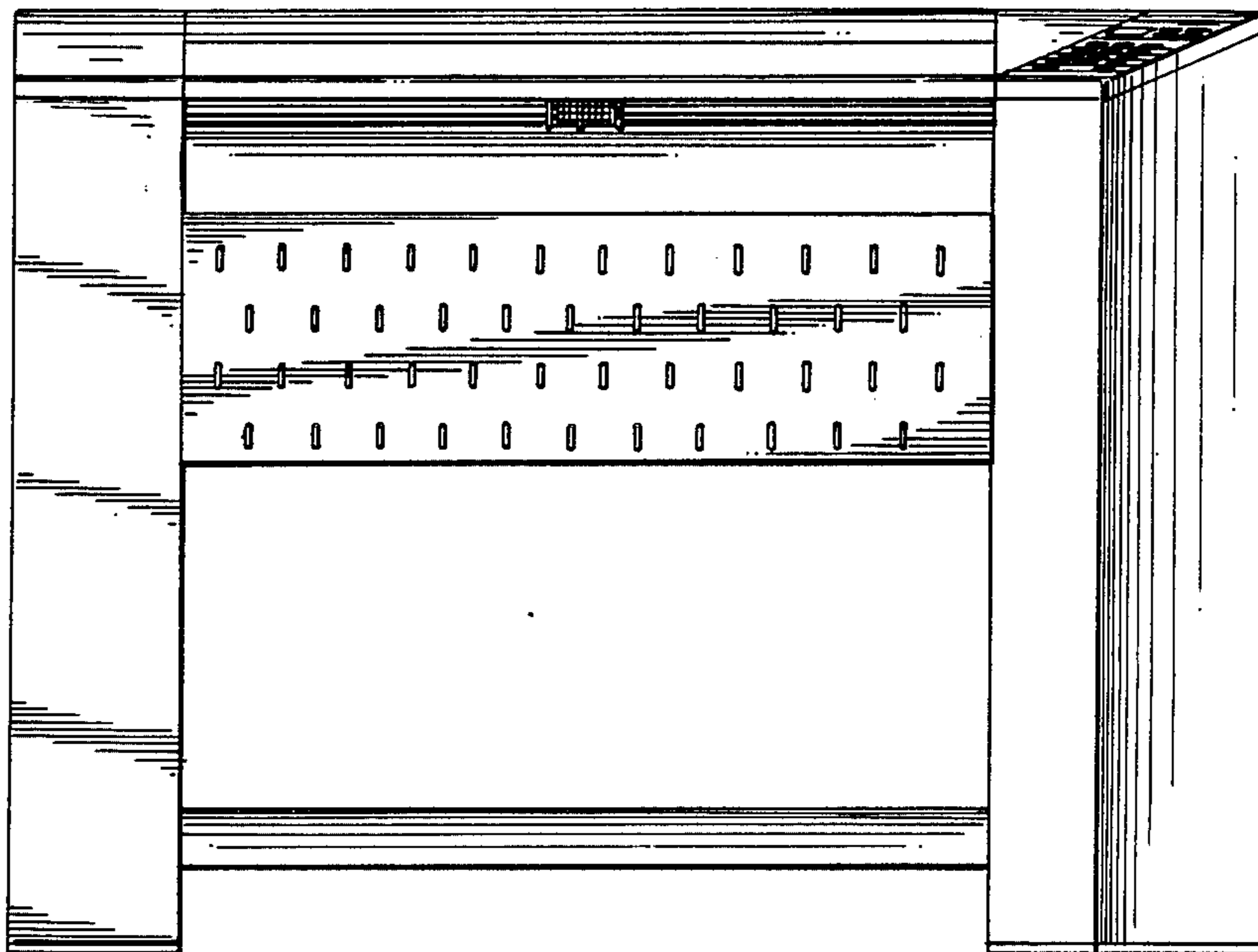


FIG. 1

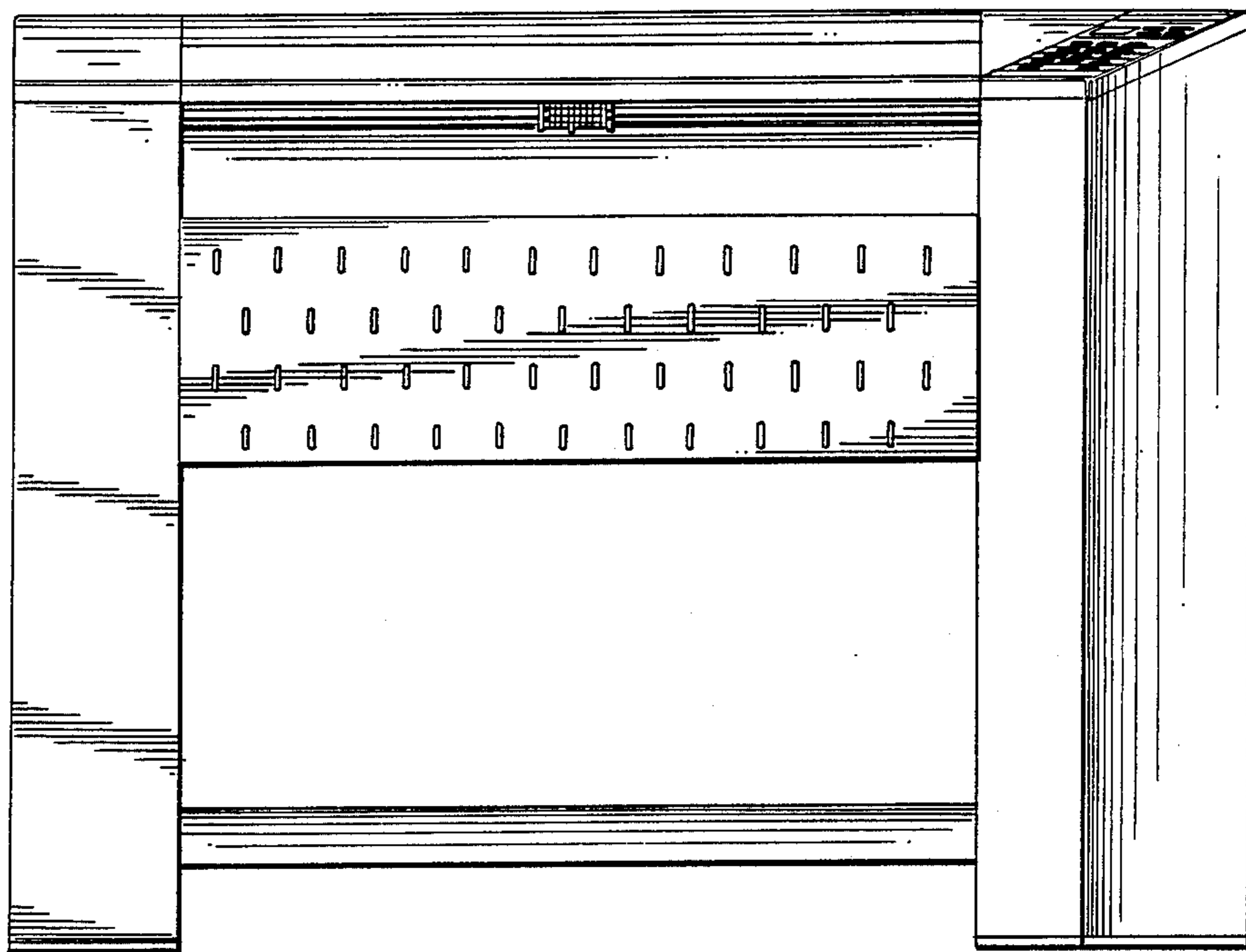


FIG. 2

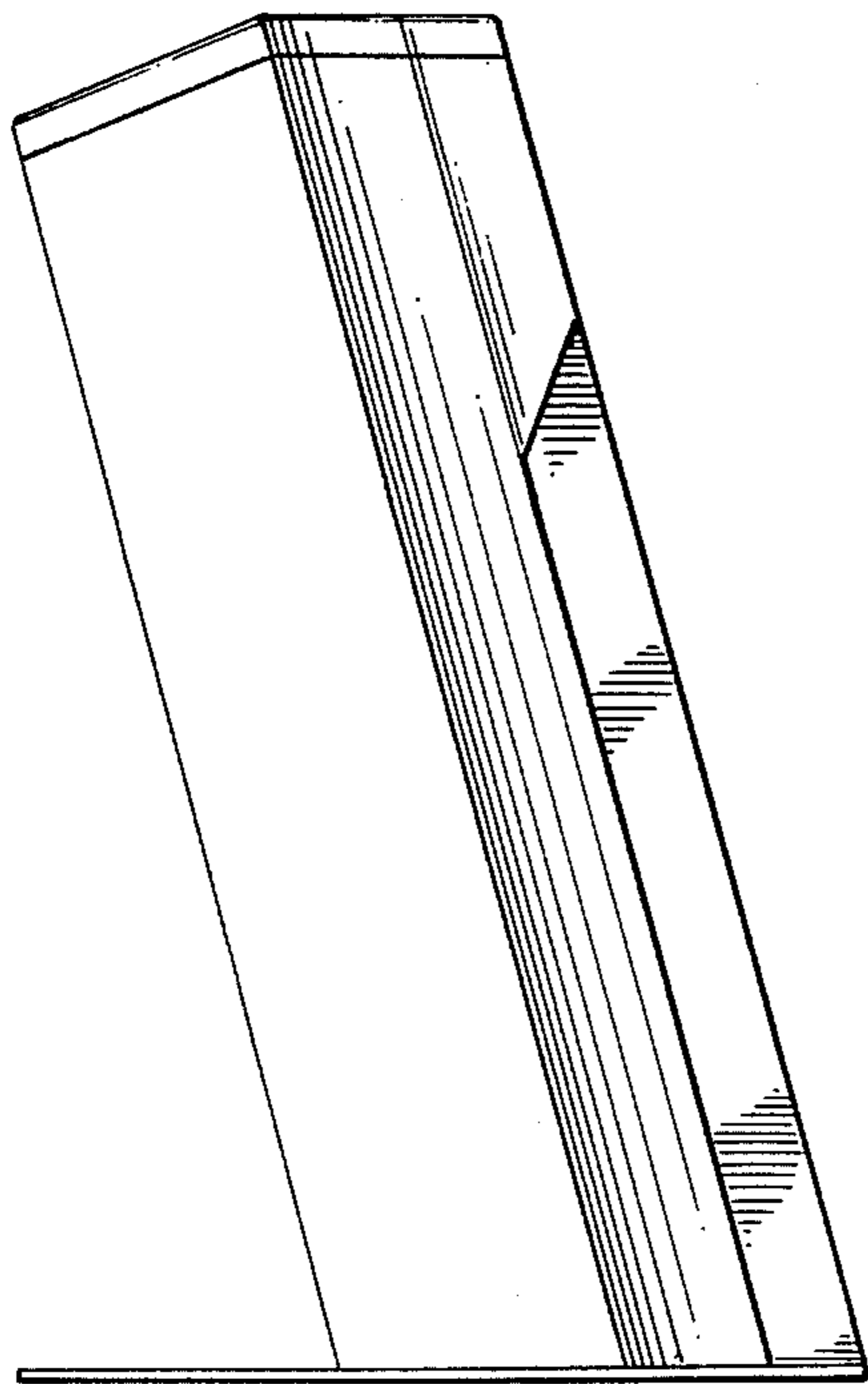


FIG. 3

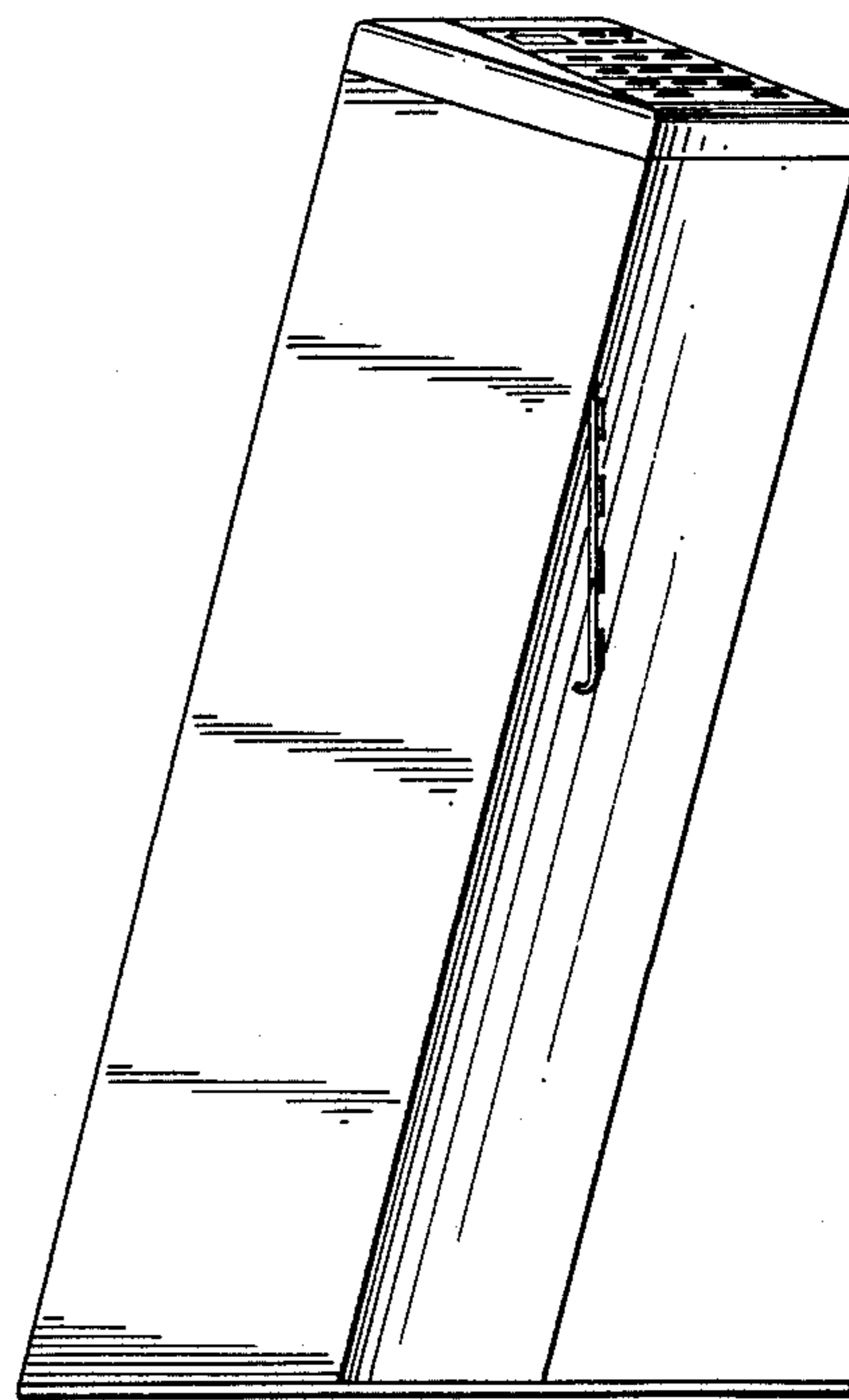


FIG. 4

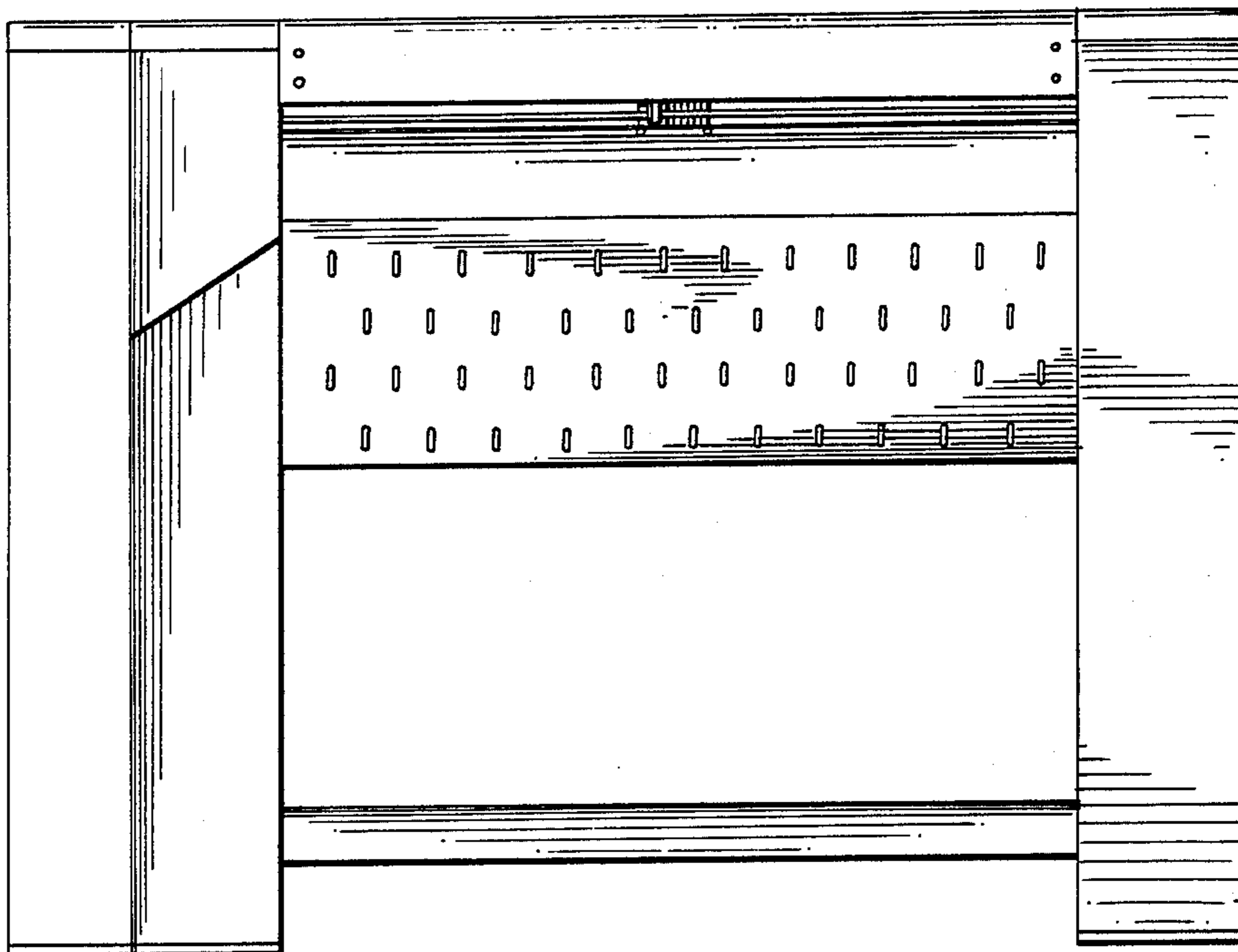


FIG. 5

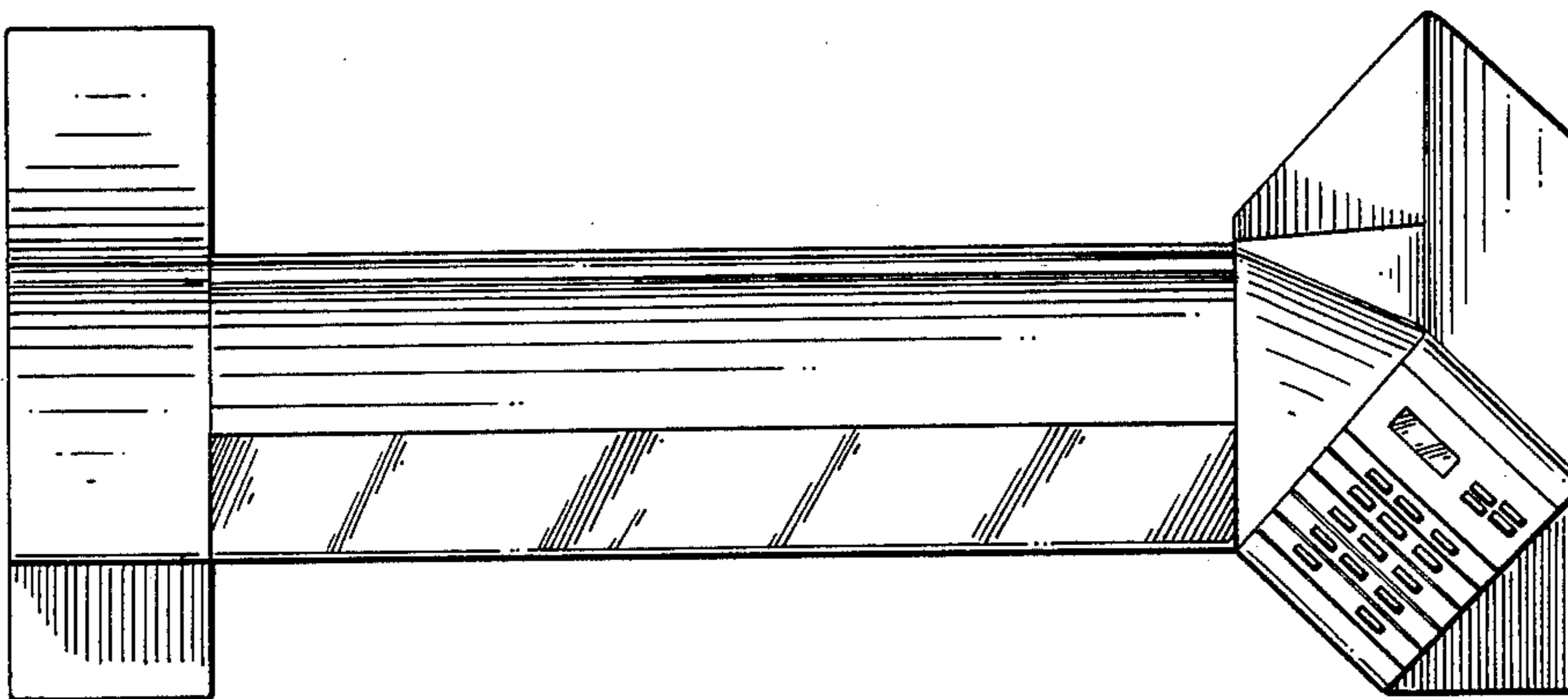


FIG. 6

