

United States Patent [19]

Ralls et al.

[11] Patent Number: **Des. 307,712**

[45] Date of Patent: **** May 8, 1990**

[54] **BOTTLE CARRIER**

[76] Inventors: **Craig Ralls, 1527 Canterbury; Robert Ralls, 25865 Chaucer Dr., both of Westlake, Ohio 44145**

[**] Term: **14 Years**

[21] Appl. No.: **59,311**

[22] Filed: **Jun. 8, 1987**

[52] U.S. Cl. **D9/344**

[58] Field of Search **D9/369, 344, 378, 455; 206/141-144, 153, 159, 161, 162, 169, 200, 139, 199, 427, 429; 220/23.4; 229/52 BC, 52 A; 215/100 A; 294/164, 165, 167, 902, 137**

[56] **References Cited**

U.S. PATENT DOCUMENTS

2,320,440	6/1943	Kruea et al.	206/142 X
2,680,039	6/1954	Burge	206/143
3,561,594	2/1971	Jorgensen	206/162 X
3,784,246	1/1974	Klygis	206/142 X
3,829,143	8/1974	Bird	206/142 X
3,860,112	1/1975	Klygis	206/162 X
3,891,084	6/1975	Elizondo-Garcia	206/143

3,897,873 8/1975 Graser 206/162 X
4,155,502 5/1979 Forte 229/904 X

Primary Examiner—Bernard Ansher

[57] **CLAIM**

The ornamental design for bottle carrier, as shown and described.

DESCRIPTION

FIG. 1 is a top plan view of a bottle carrier, in unfolded position, showing our new design;

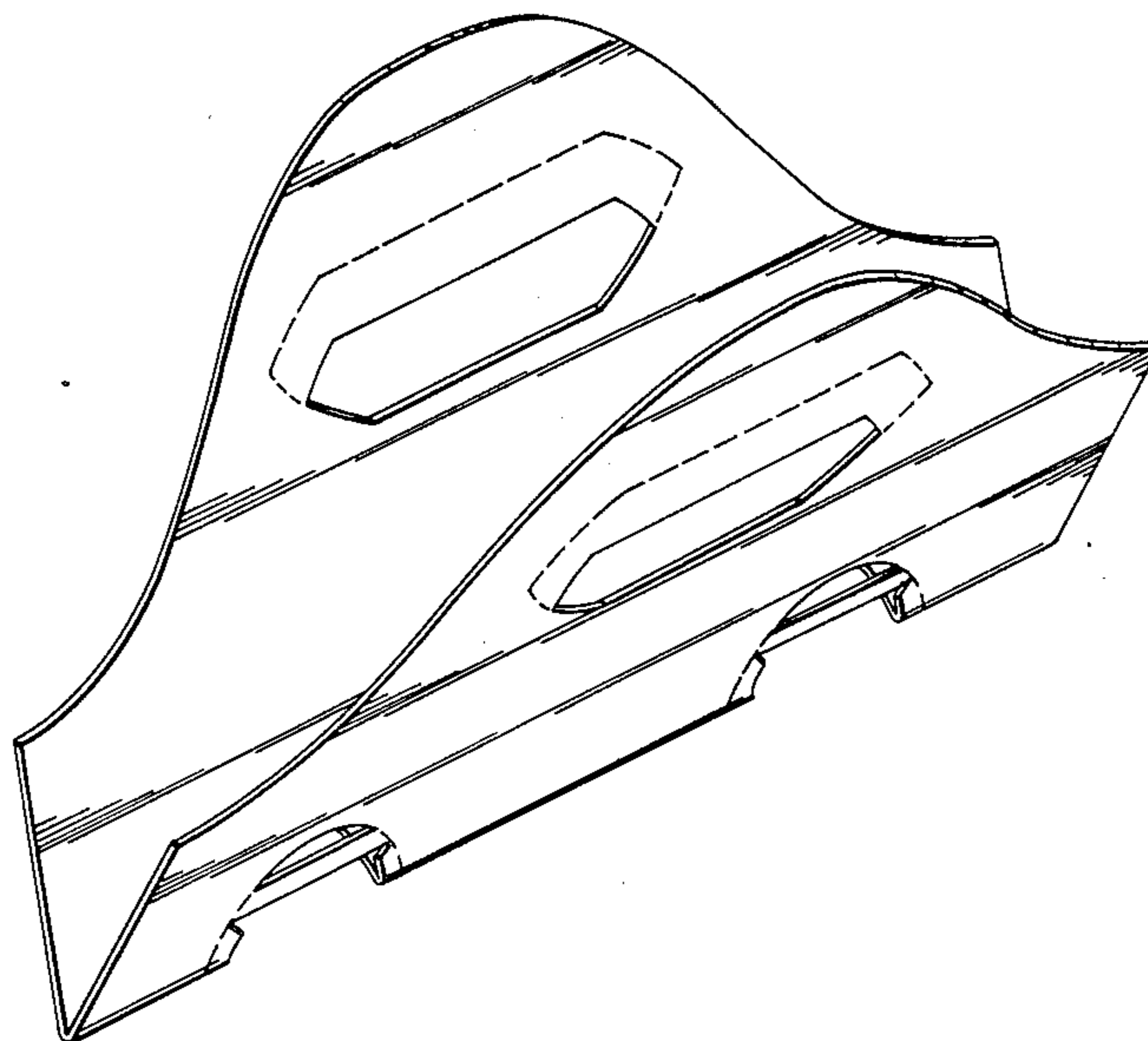
FIG. 2 is a front elevation thereof, the rear side elevation being a mirror image;

FIG. 3 is a left side elevation thereof, the right side elevation being a mirror image;

FIG. 4 is a perspective view thereof, in semifolded upright position; and

FIG. 5 is a left side elevation of FIG. 4 in completely folded position; the right side elevation being a mirror image.

The broken lines in FIGS. 1 and 4 are perforation lines. The broken lines showing of a bottle in FIG. 5 are for illustrative purposes only and form no part of the claimed article.



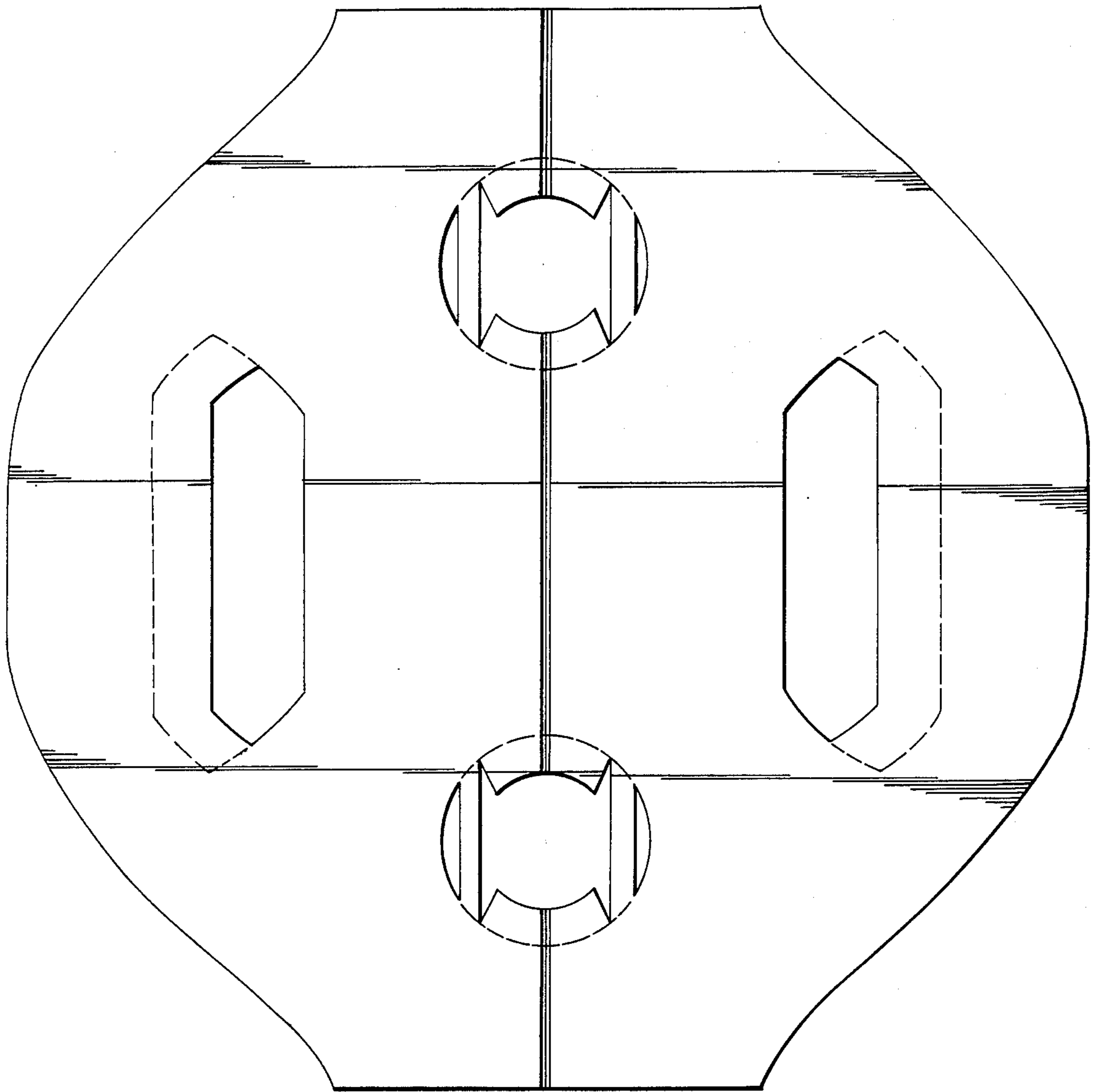


Fig. 1



Fig. 2

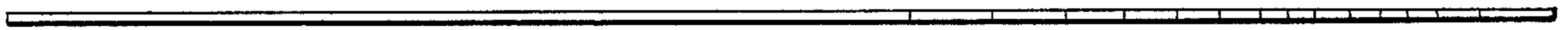


Fig. 3

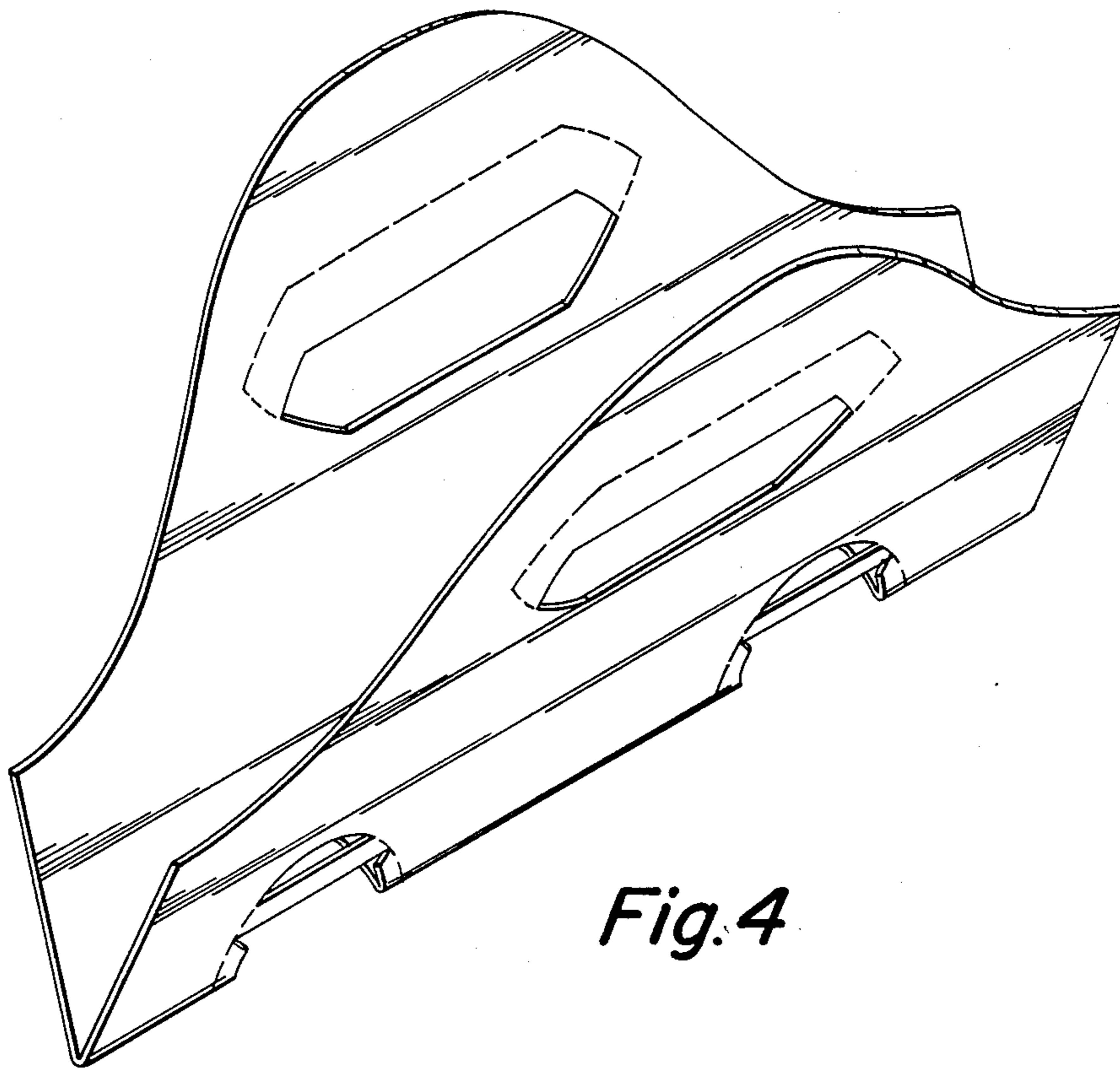


Fig. 4

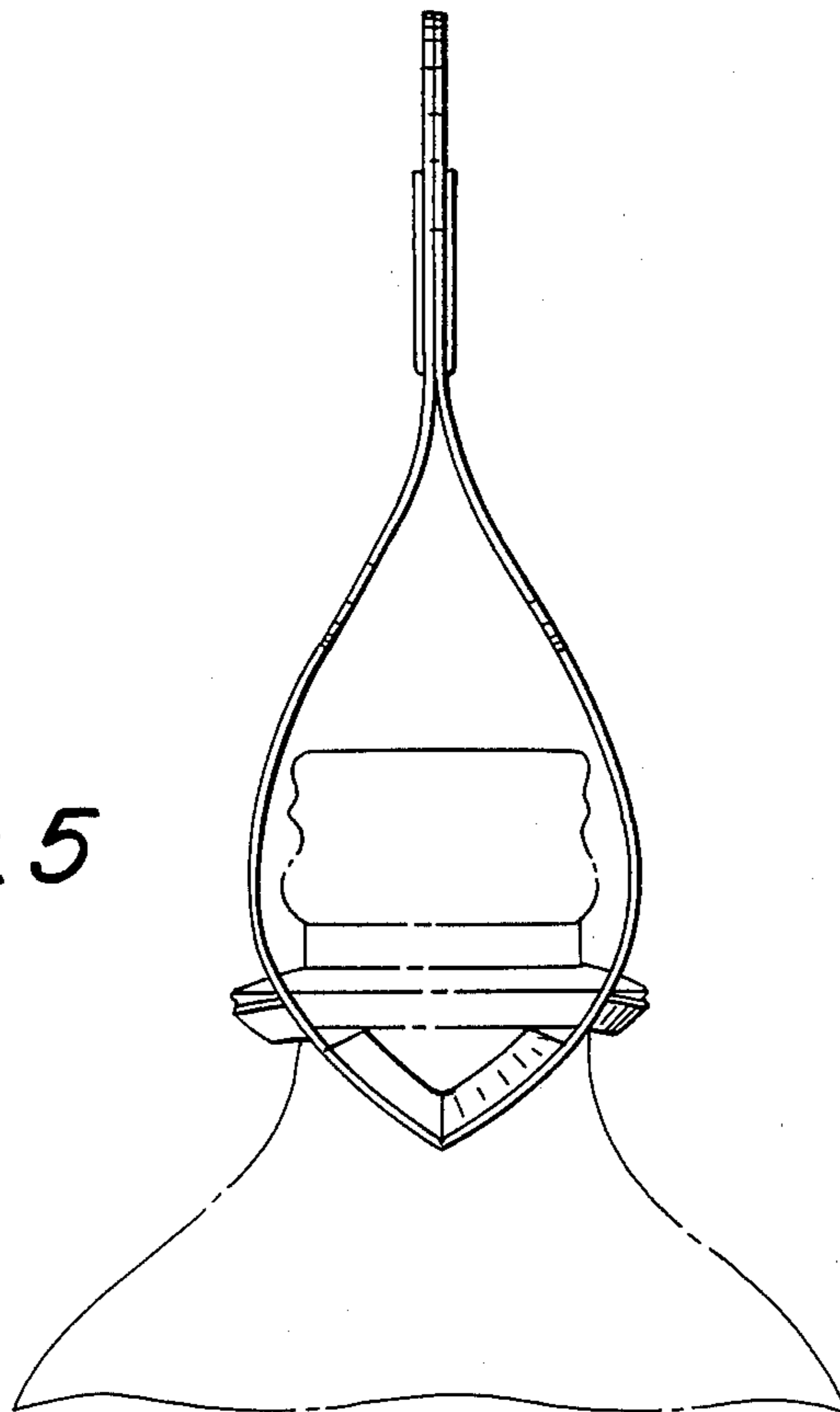


Fig. 5