

[54] HOOK

[76] Inventor: Bernard Mair, 40 Viceroy Road, Concord, Ontario, Canada, L4K 2L8

[\*\*] Term: 14 Years

[21] Appl. No.: 95,069

[22] Filed: Sep. 2, 1987

[52] U.S. Cl. .... D8/367; 24/241 PS

[58] Field of Search ..... D8/356, 367, 370, 371; 24/130, 115 H, 230.5 R, 343, 232 R; 291/82.1; 248/305

4,226,105 10/1980 Wehrman ..... 24/3 K  
4,320,561 3/1982 Müller et al. .... 24/241 PS  
4,340,998 7/1982 Liberge ..... 24/130  
4,432,121 2/1984 Dupre ..... 24/343  
4,622,724 11/1986 Dupre ..... 24/130

FOREIGN PATENT DOCUMENTS

7822059 6/1981 France .

Primary Examiner—Horace B. Fay, Jr.

Attorney, Agent, or Firm—Kenneth M. Garrett

[57] CLAIM

The ornamental design for a hook, as shown and described.

[56] References Cited

U.S. PATENT DOCUMENTS

D. 215,268 9/1969 Batchelor ..... D8/367  
D. 281,483 11/1985 Faidido ..... D8/367  
D. 293,281 12/1987 White ..... D8/367  
527,286 10/1894 Perkins et al. .... 24/241 P  
1,508,308 9/1924 Thompson ..... 24/241 PS  
2,490,931 12/1949 Thompson ..... 24/241 PS  
3,368,250 2/1968 Raschke ..... 24/241 PS  
3,831,994 8/1974 Martin ..... 24/241 PS  
3,940,173 2/1976 Ulbing ..... 24/241 PS

DESCRIPTION

FIG. 1 is a bottom, right side and rear perspective view of a hook showing my new design; FIGS. 2 and 3 are respectively right and left elevational views thereof; FIGS. 4 and 5 are respectively front and rear elevational views thereof; and FIGS. 6 and 7 are respectively top and bottom plan views thereof.

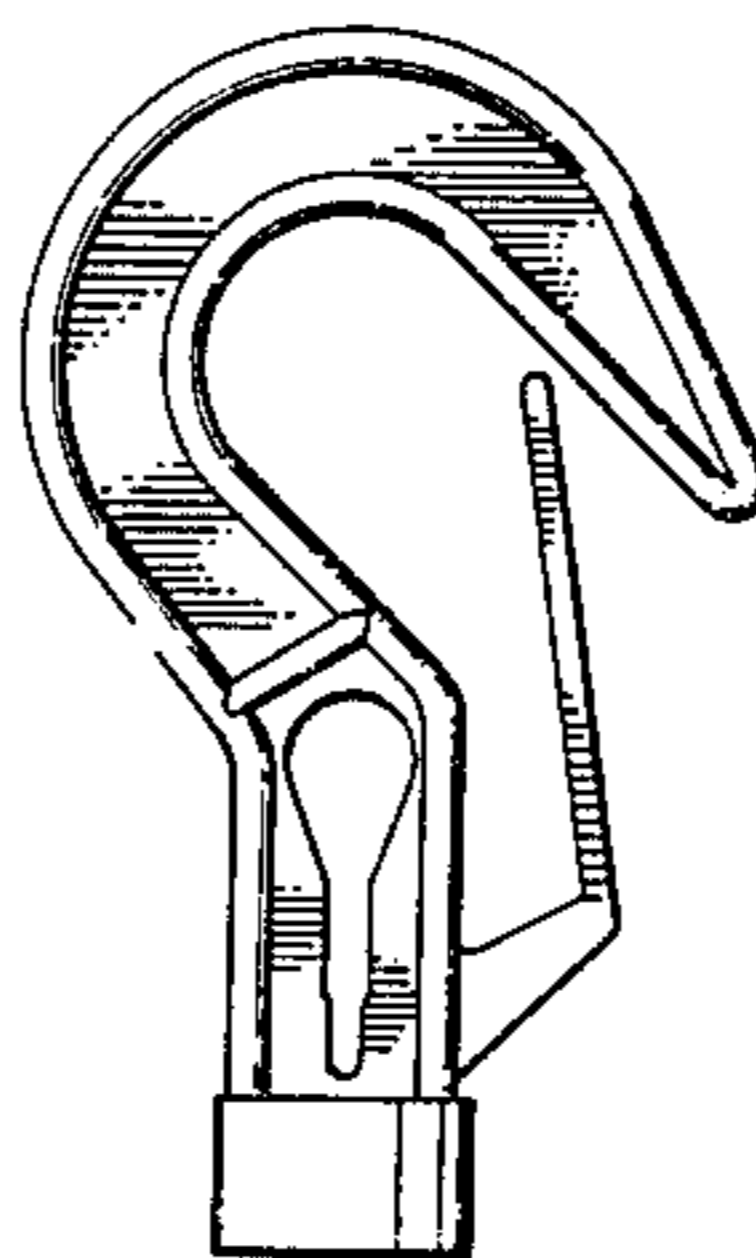
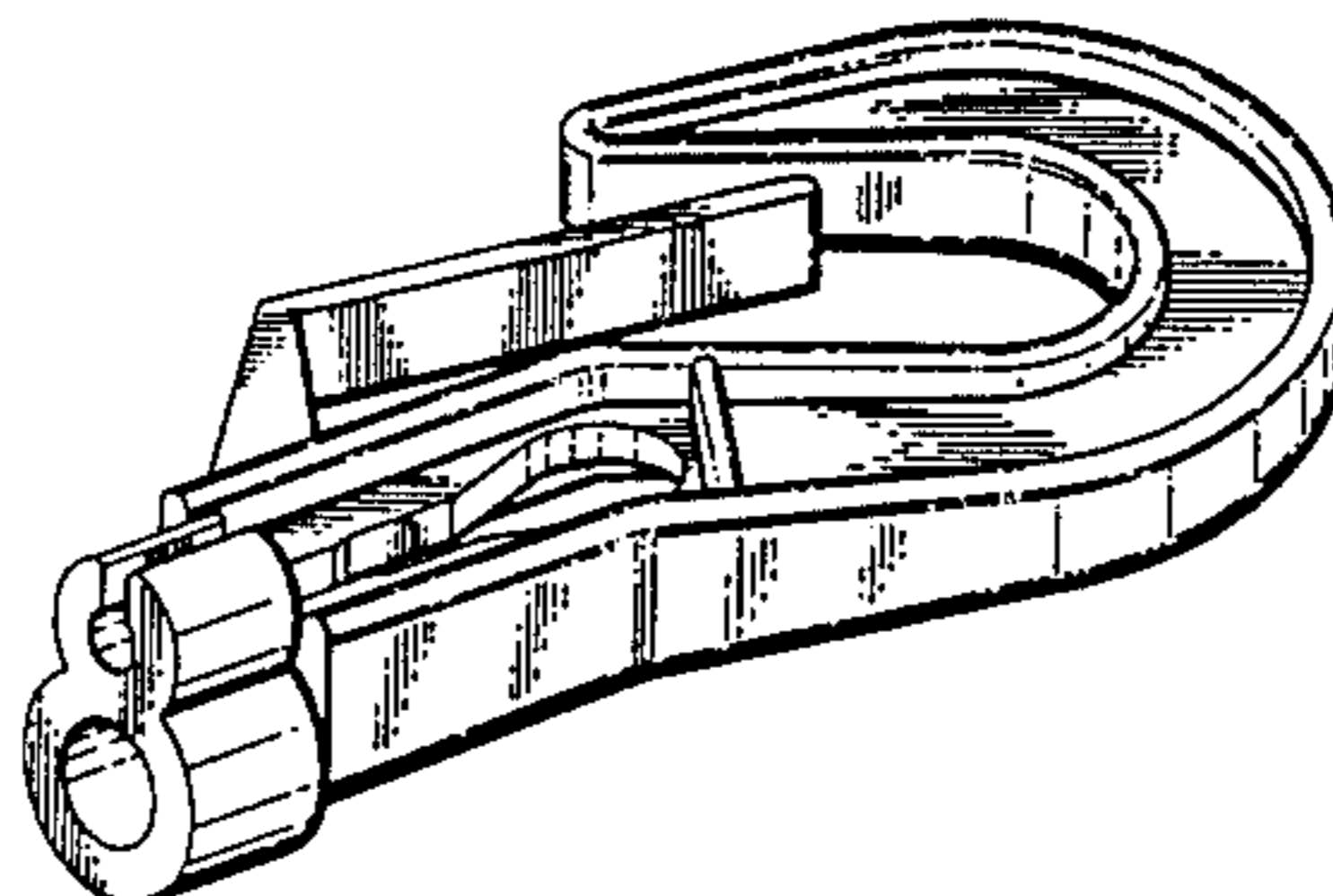


FIG. 1.

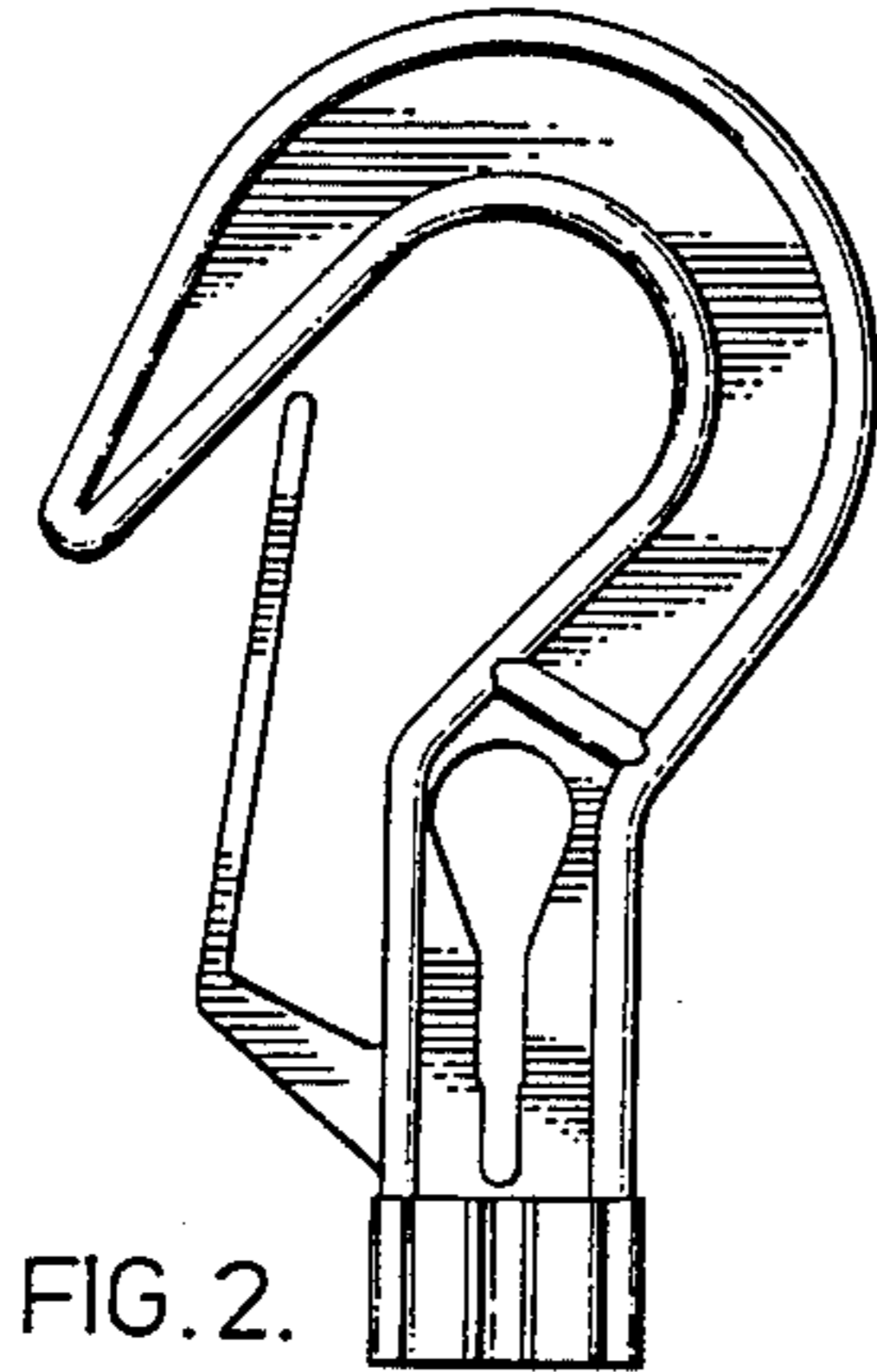
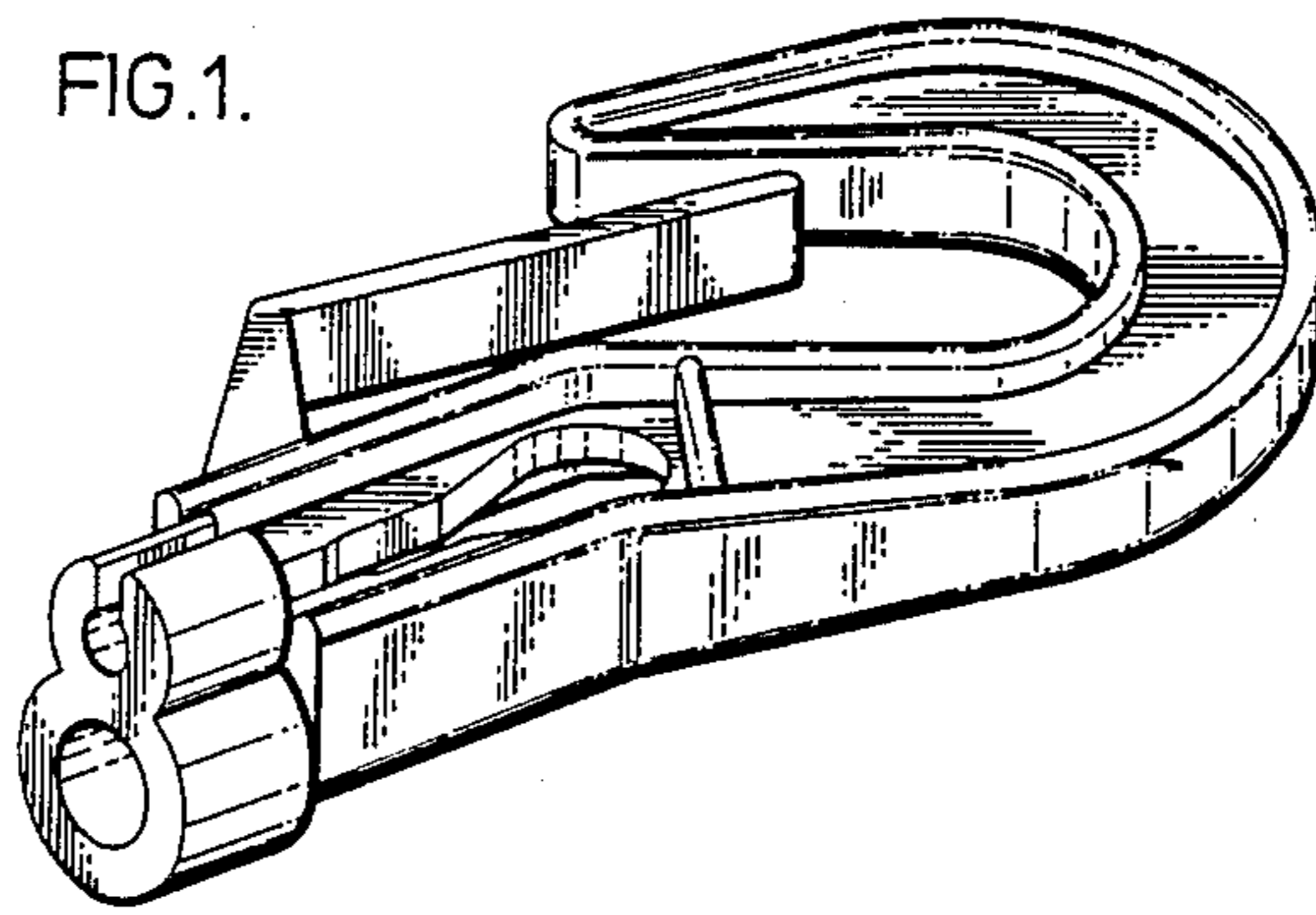


FIG. 2.

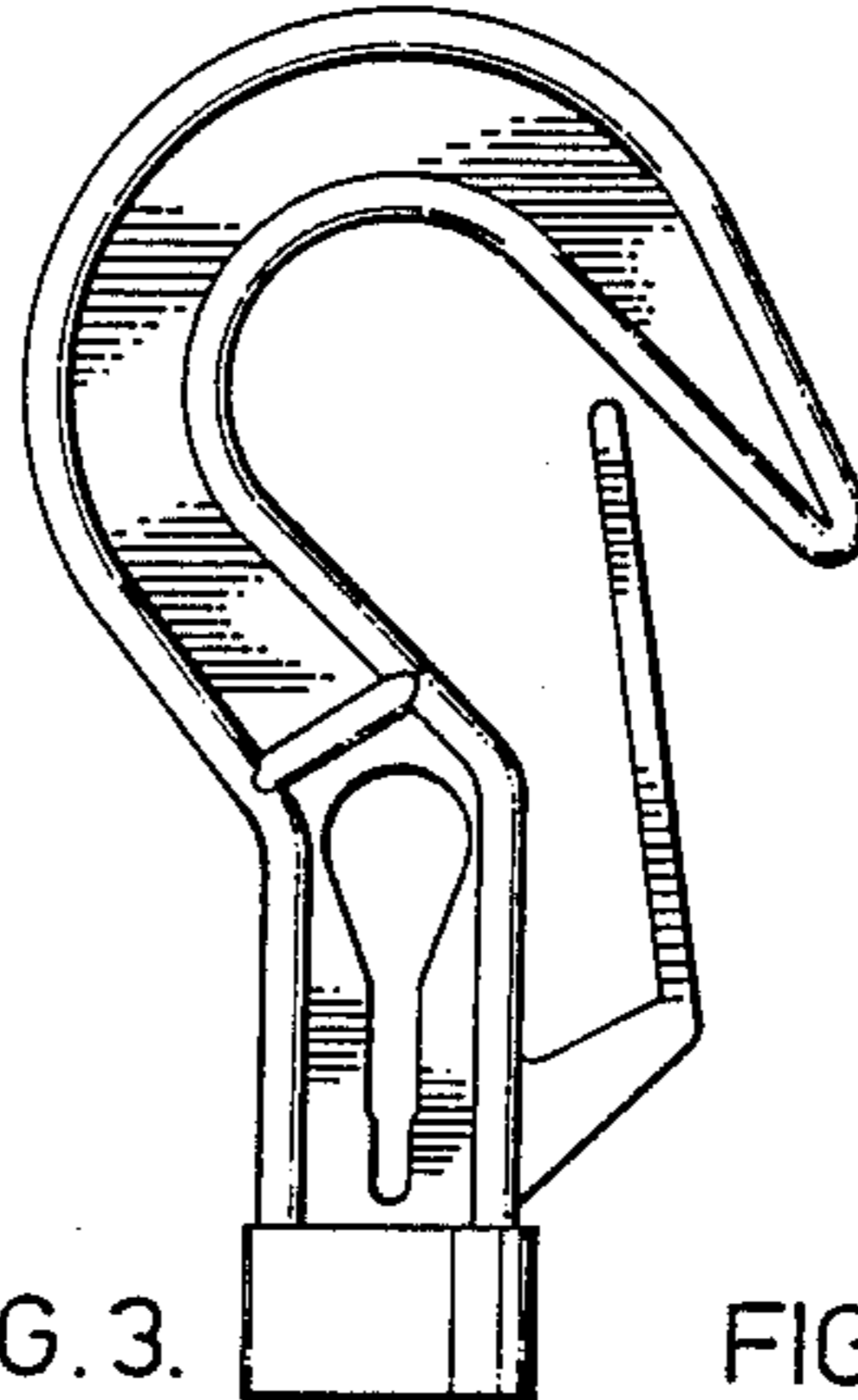


FIG. 3.

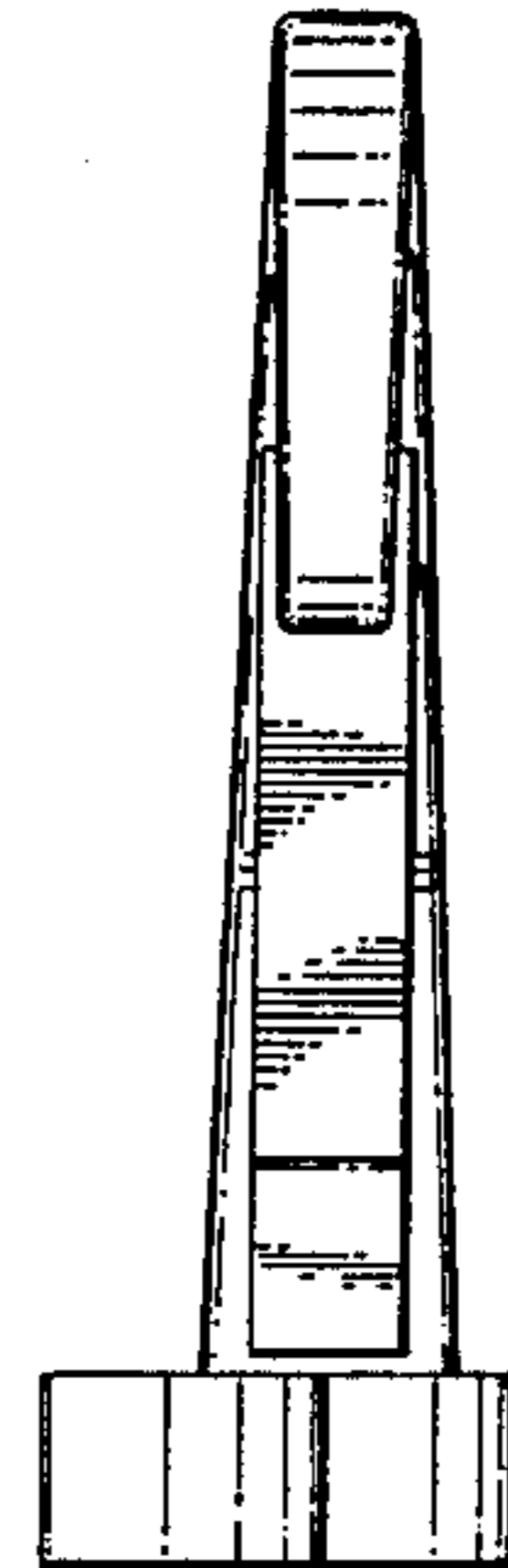


FIG. 4.

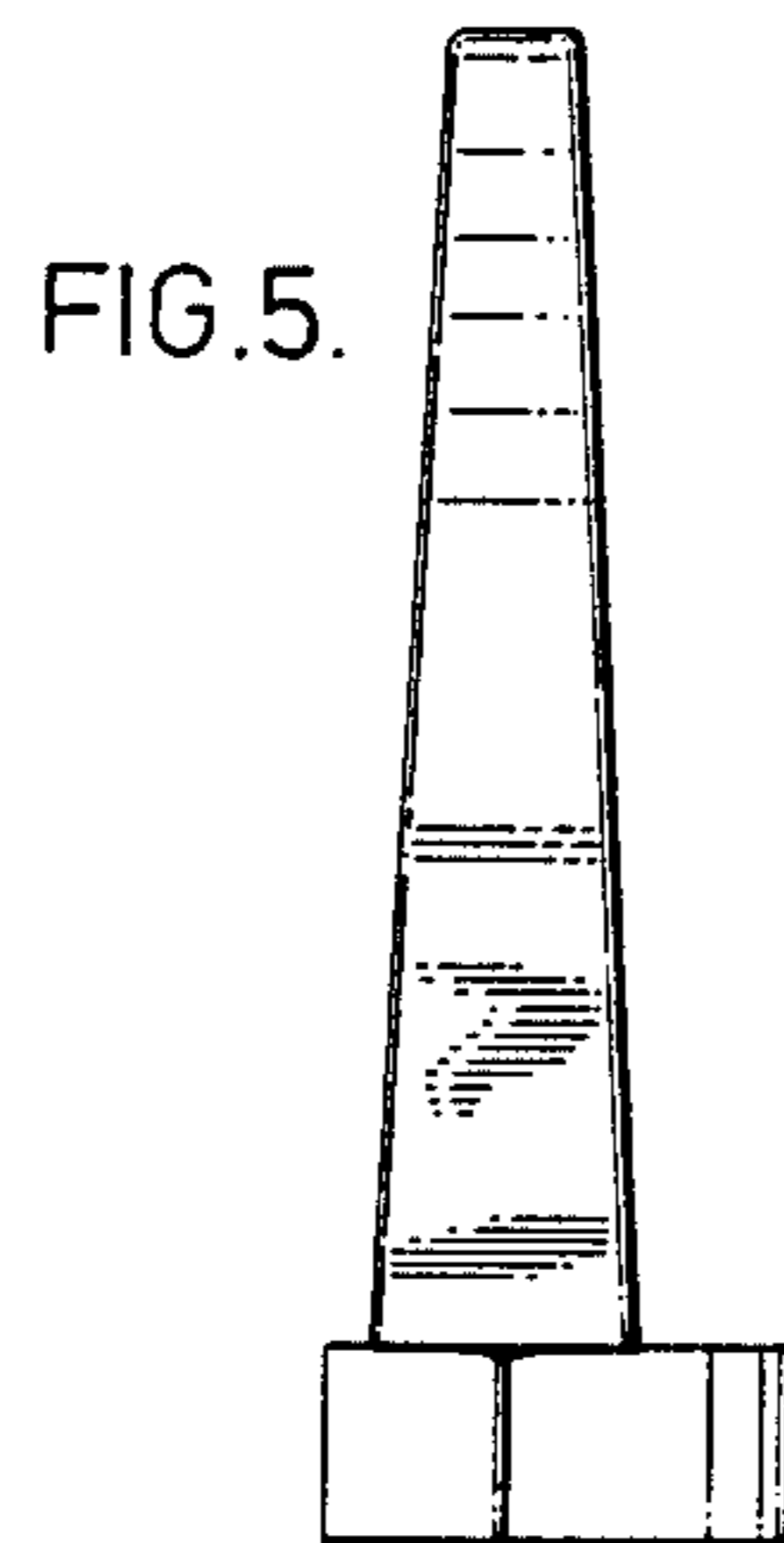


FIG. 5.

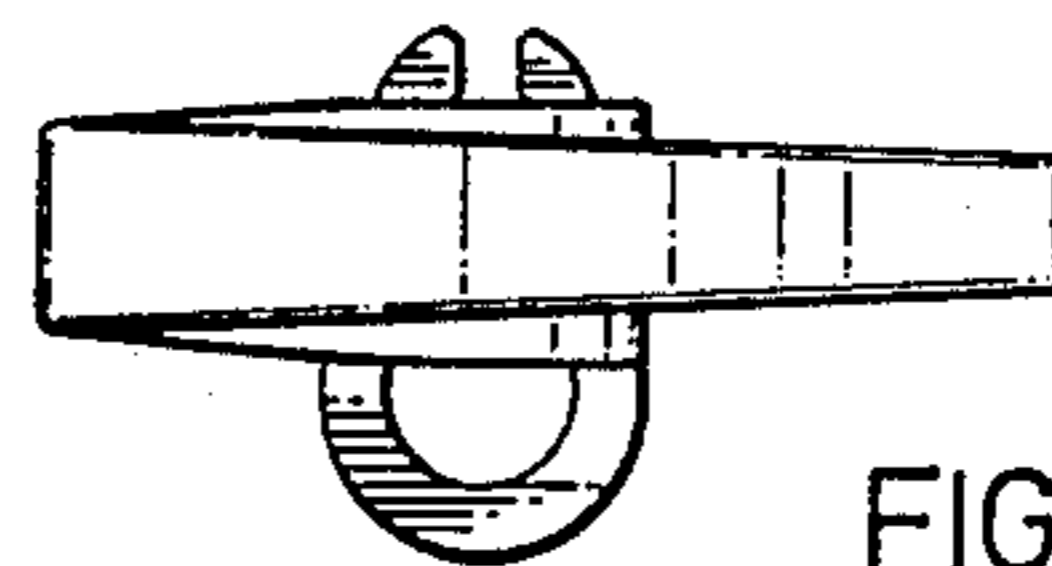


FIG. 6.

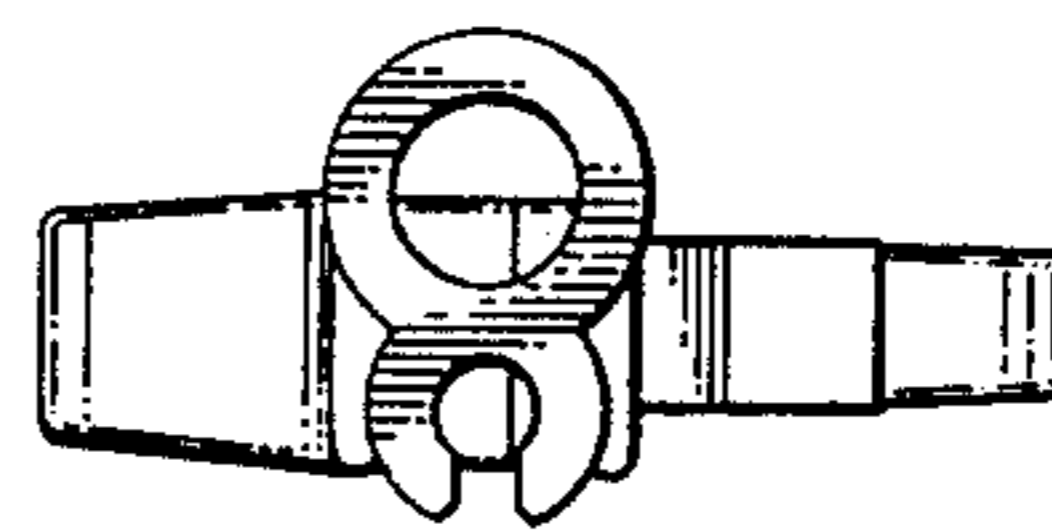


FIG. 7.