

[54] **KEY**  
[75] **Inventor: Benno Vonlanthen, Zollikofen, Switzerland**  
[73] **Assignee: R. Berchtold AG, Switzerland**  
[\*\*] **Term: 14 Years**  
[21] **Appl. No.: 239,417**  
[22] **Filed: Sep. 1, 1988**

[30] **Foreign Application Priority Data**  
May 3, 1988 [IB] Int'l Pat. Institute ..... DM/010871  
[52] **U.S. Cl. .... D8/347**  
[58] **Field of Search ..... D8/347; 70/393, 402, 70/405, 407-408**

[56] **References Cited**  
**U.S. PATENT DOCUMENTS**  
D. 265,049 6/1982 Flies ..... D8/347  
D. 294,005 2/1988 Kornmayer et al. .... D8/347

3,688,269 8/1972 Miller ..... D8/347 X

**OTHER PUBLICATIONS**

Ilco-Unican catalogue No. 60-R (1984) p. S-7, Automotive Key Blank-Ford Escort #1181FD.

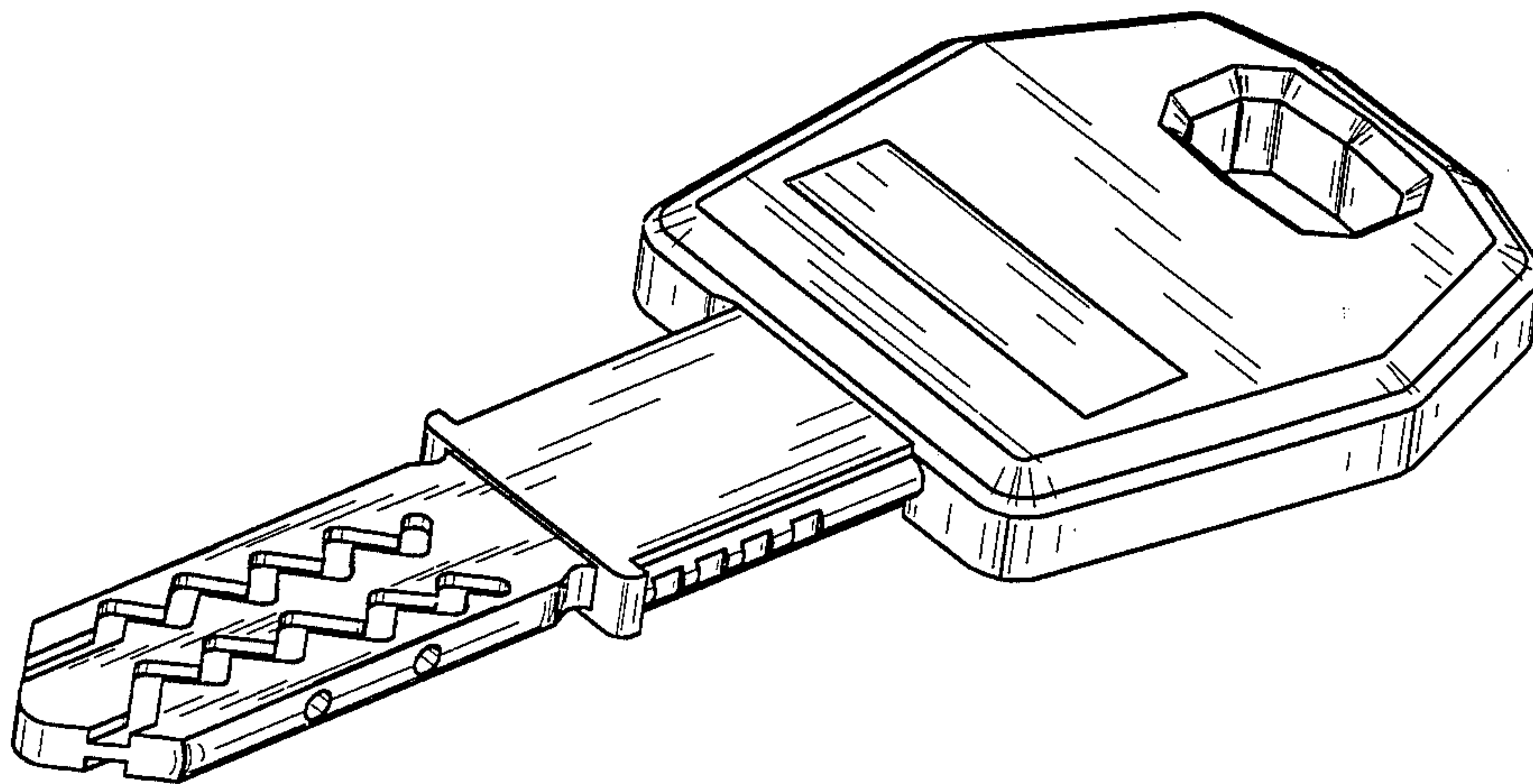
*Primary Examiner*—Wallace R. Burke  
*Assistant Examiner*—Brian N. Vinson  
*Attorney, Agent, or Firm*—Tarolli, Sundheim & Covell

[57] **CLAIM**

The ornamental design for a key, as shown and described.

**DESCRIPTION**

FIG. 1 is a top plan view of a key showing my new design, the bottom being a mirror image of that shown; FIG. 2 is a side elevational view thereof, the opposite side being a mirror image of that shown; FIG. 3 is an end elevational view thereof; FIG. 4 is an opposite end elevational view thereof; and FIG. 5 is a perspective view thereof.



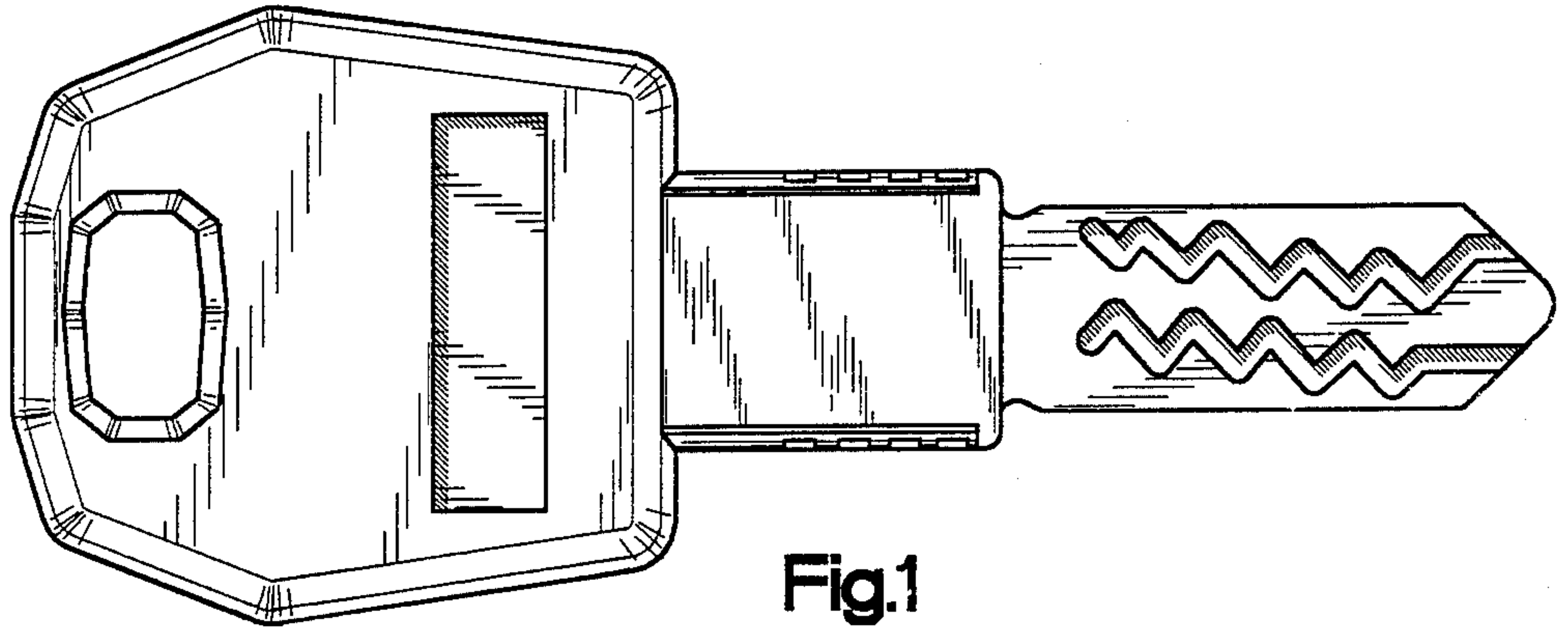


Fig.1

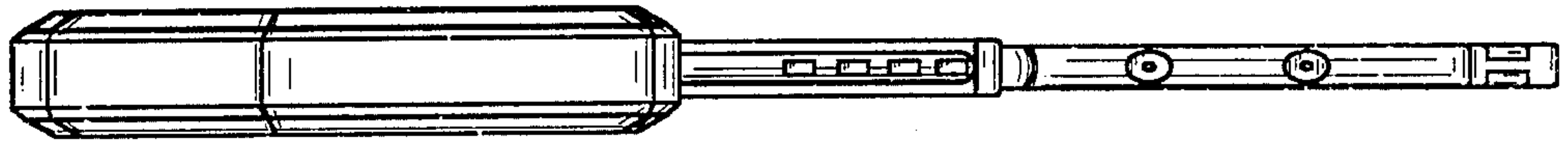


Fig.2

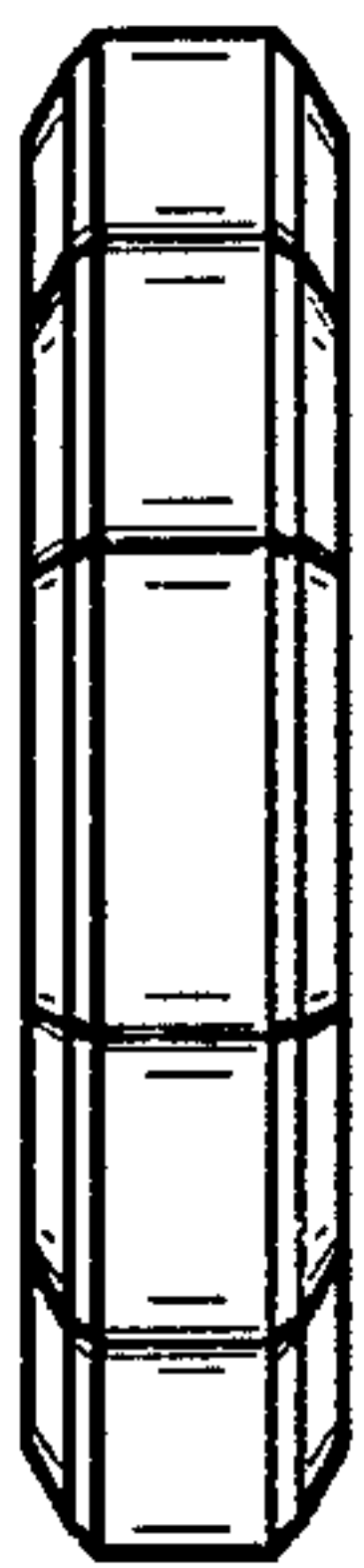


Fig.3

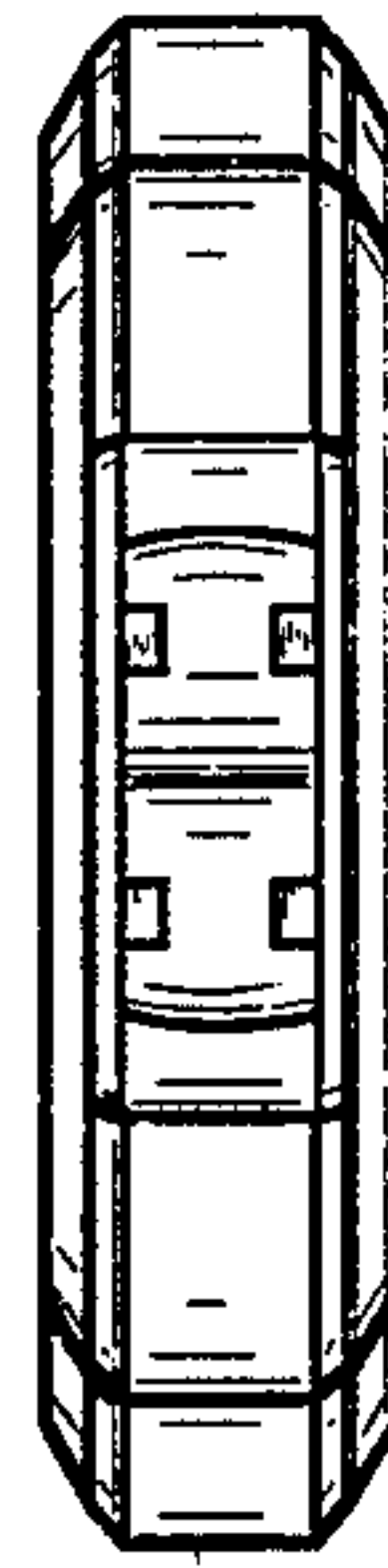


Fig.4

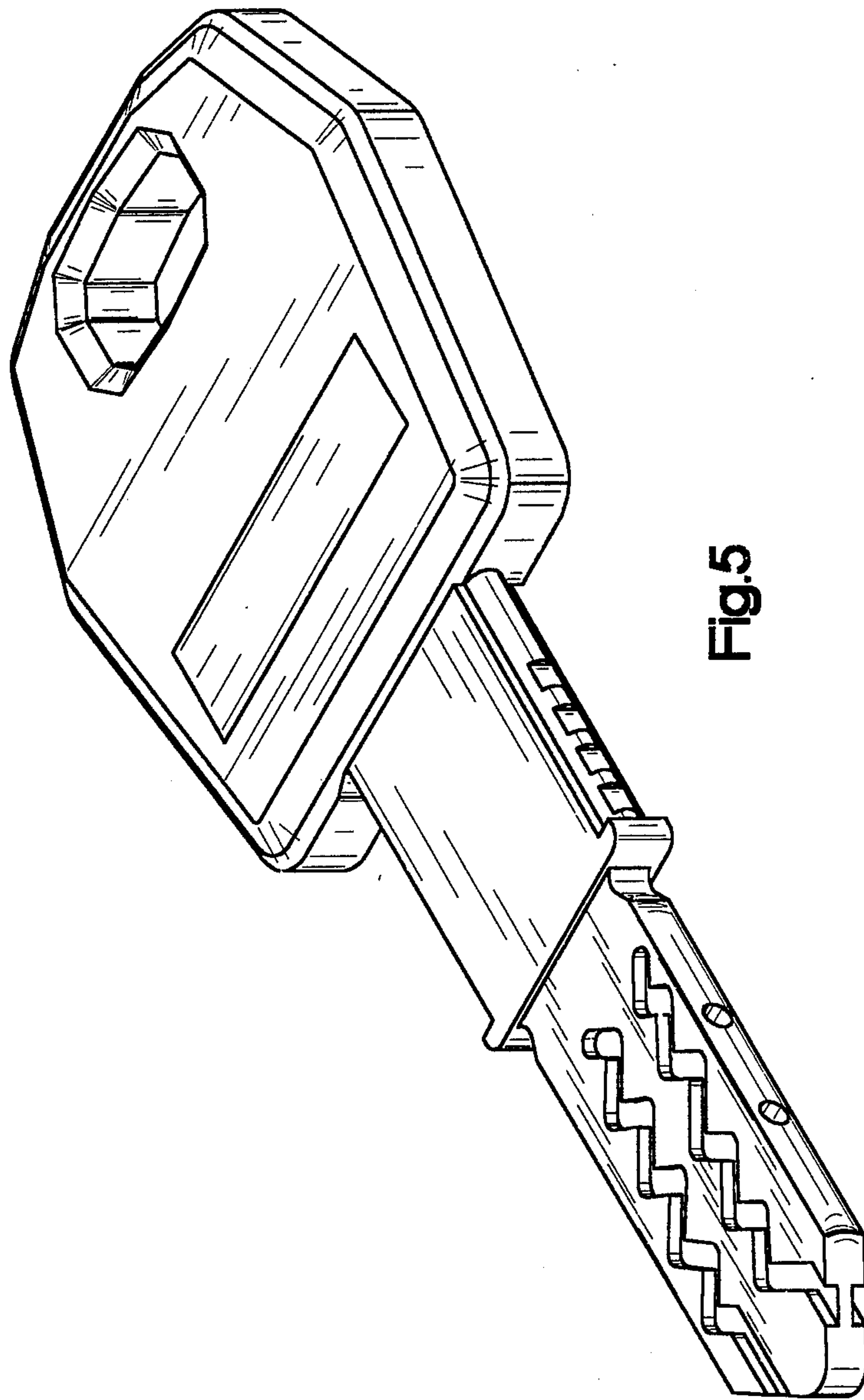


Fig. 5