

[54] PORTABLE BEVERAGE DISPENSER

[76] Inventor: Mitchell Rezman, 1112 Devonshire, Buffalo Grove, Ill. 60089

[**] Term: 14 Years

[21] Appl. No.: 156,089

[22] Filed: Feb. 16, 1988

[52] U.S. Cl. D7/608

[58] Field of Search D7/76, 77, 300; 62/371, 62/457.7, 457.1

[56] References Cited

U.S. PATENT DOCUMENTS

- D. 195,003 4/1963 Piker D7/77
- D. 236,856 9/1975 Miller D7/77 X

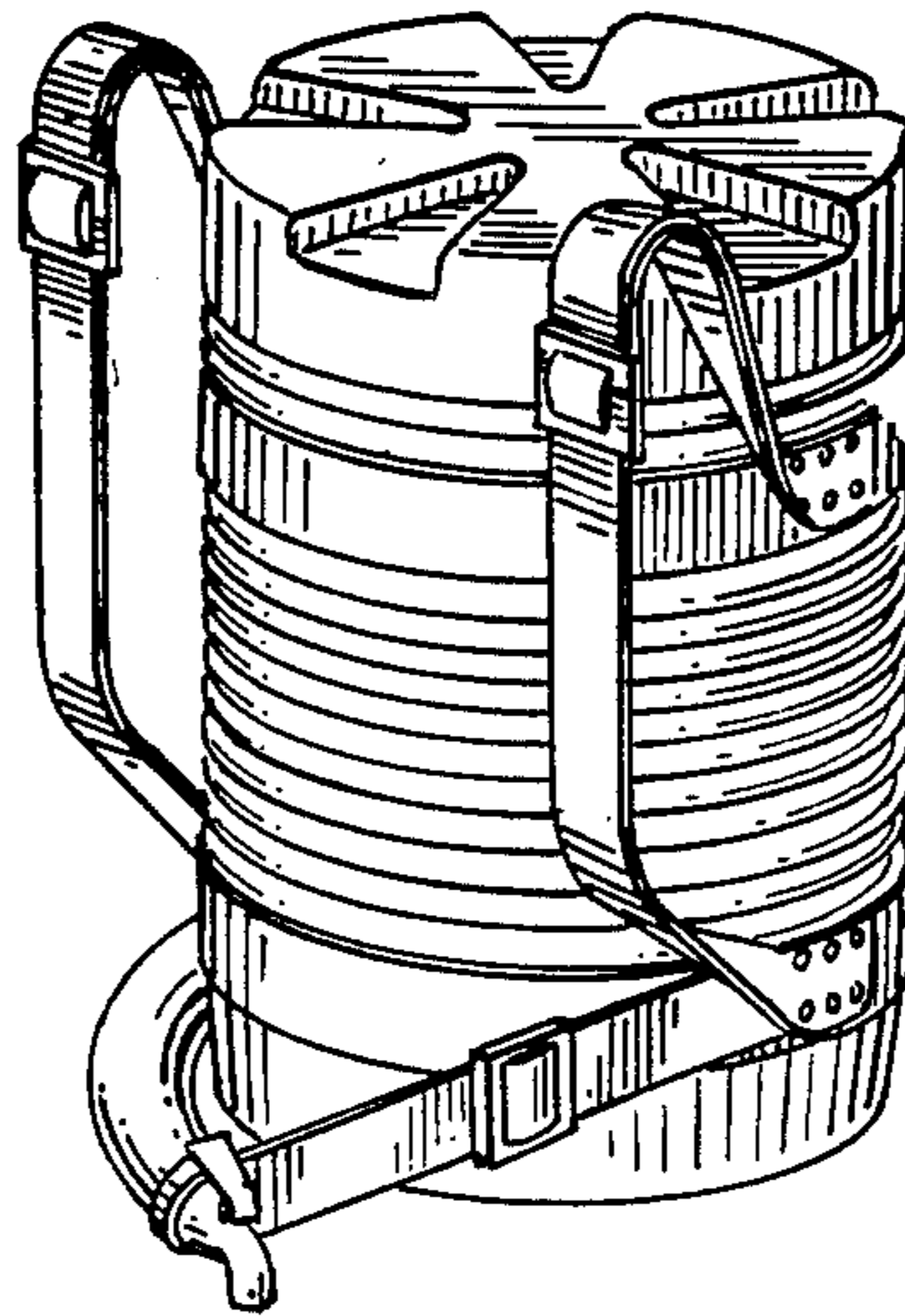
Primary Examiner—Charles A. Rademaker
Assistant Examiner—Terry A. Pfeffer
Attorney, Agent, or Firm—Alan B. Samlan; Basil E. Demeur

[57] CLAIM

The ornamental design for a portable beverage dispenser, as shown and described.

DESCRIPTION

FIG. 1 is a top, front, right side perspective view of a portable beverage dispenser showing my new design; FIG. 2 is a top plan view thereof; FIG. 3 is a left side elevational view thereof; FIG. 4 is a front elevational view thereof; FIG. 5 is a rear elevational view thereof; and FIG. 6 is a bottom plan view thereof.



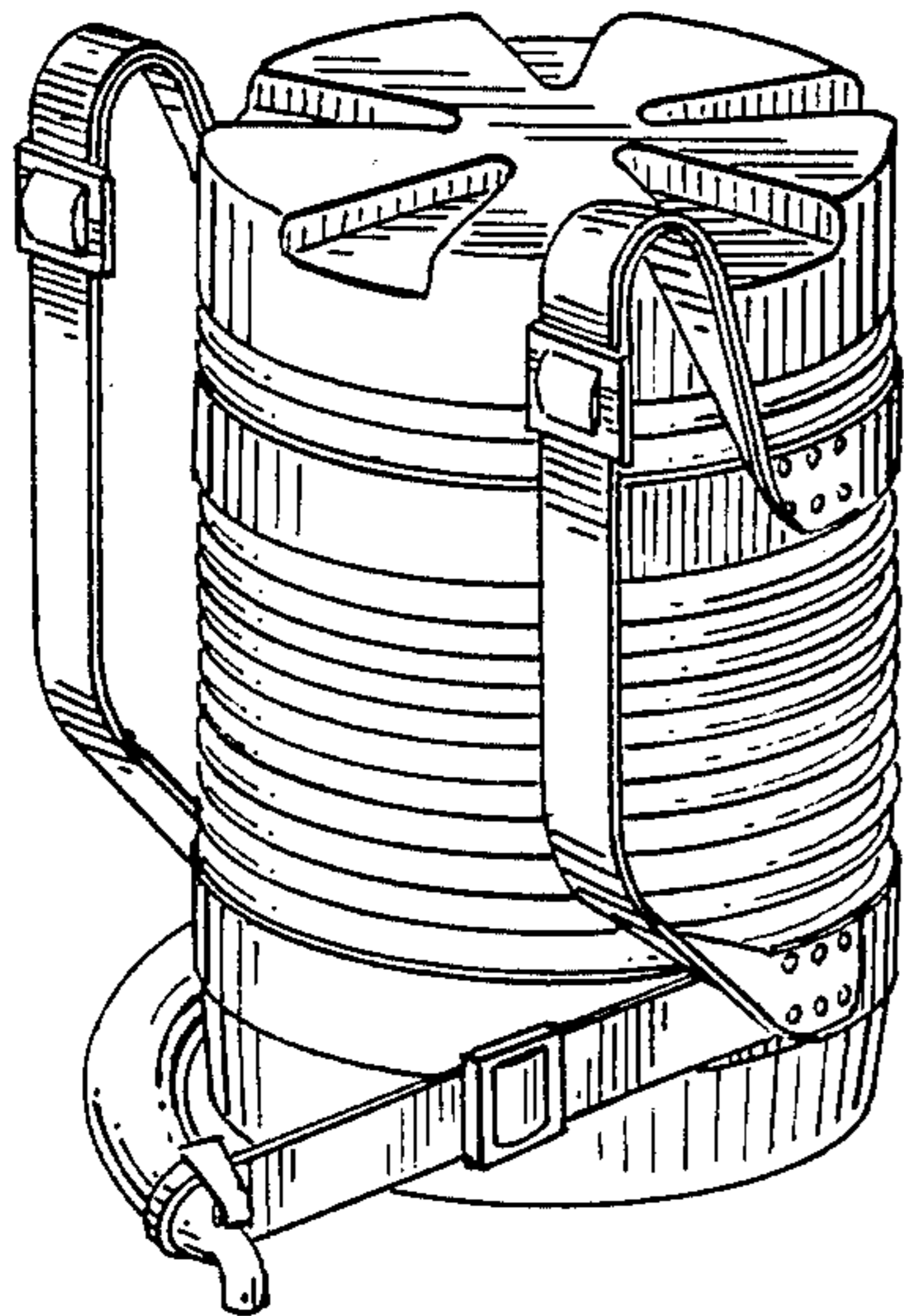


FIG. 1

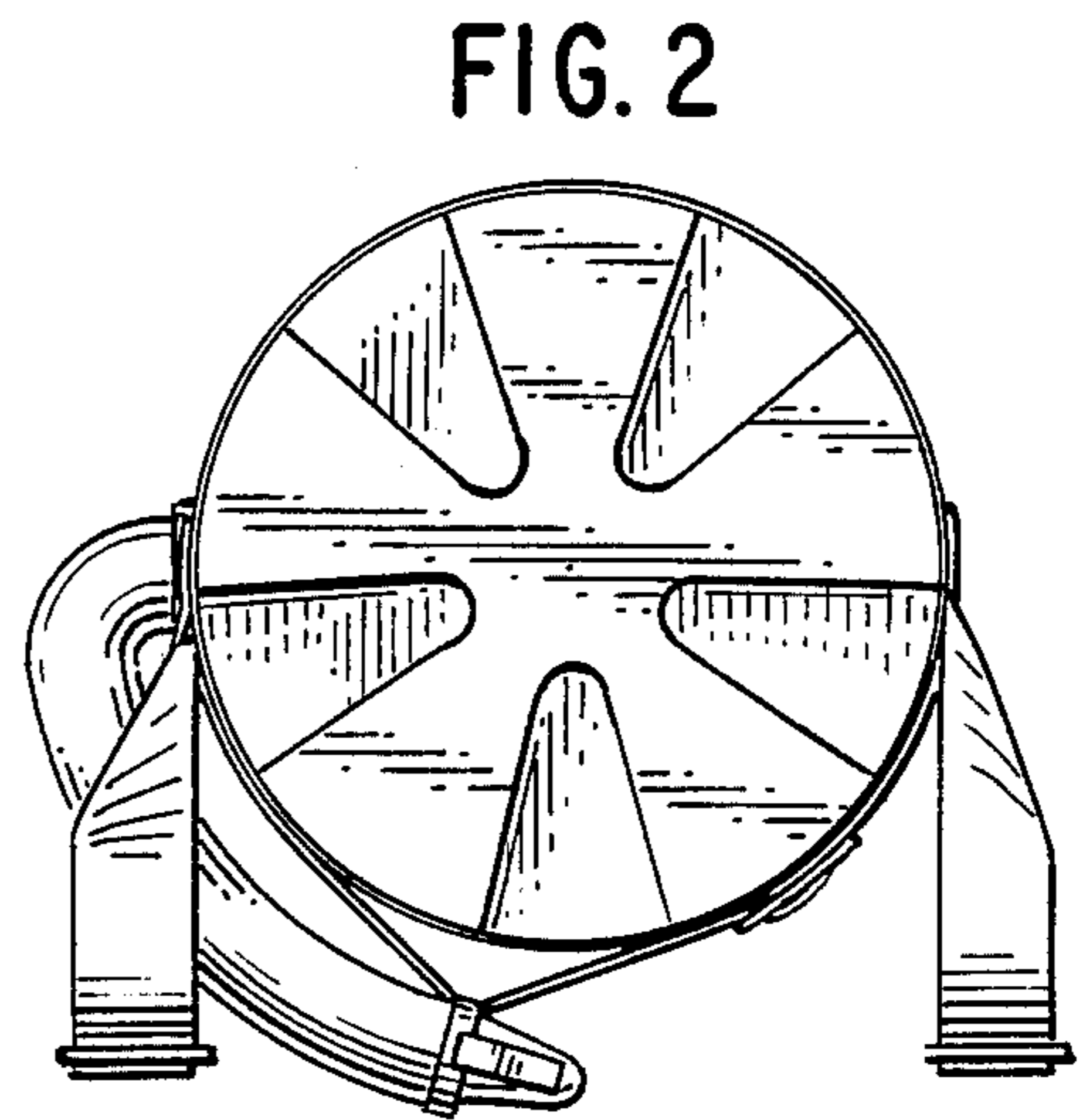


FIG. 2

FIG. 3

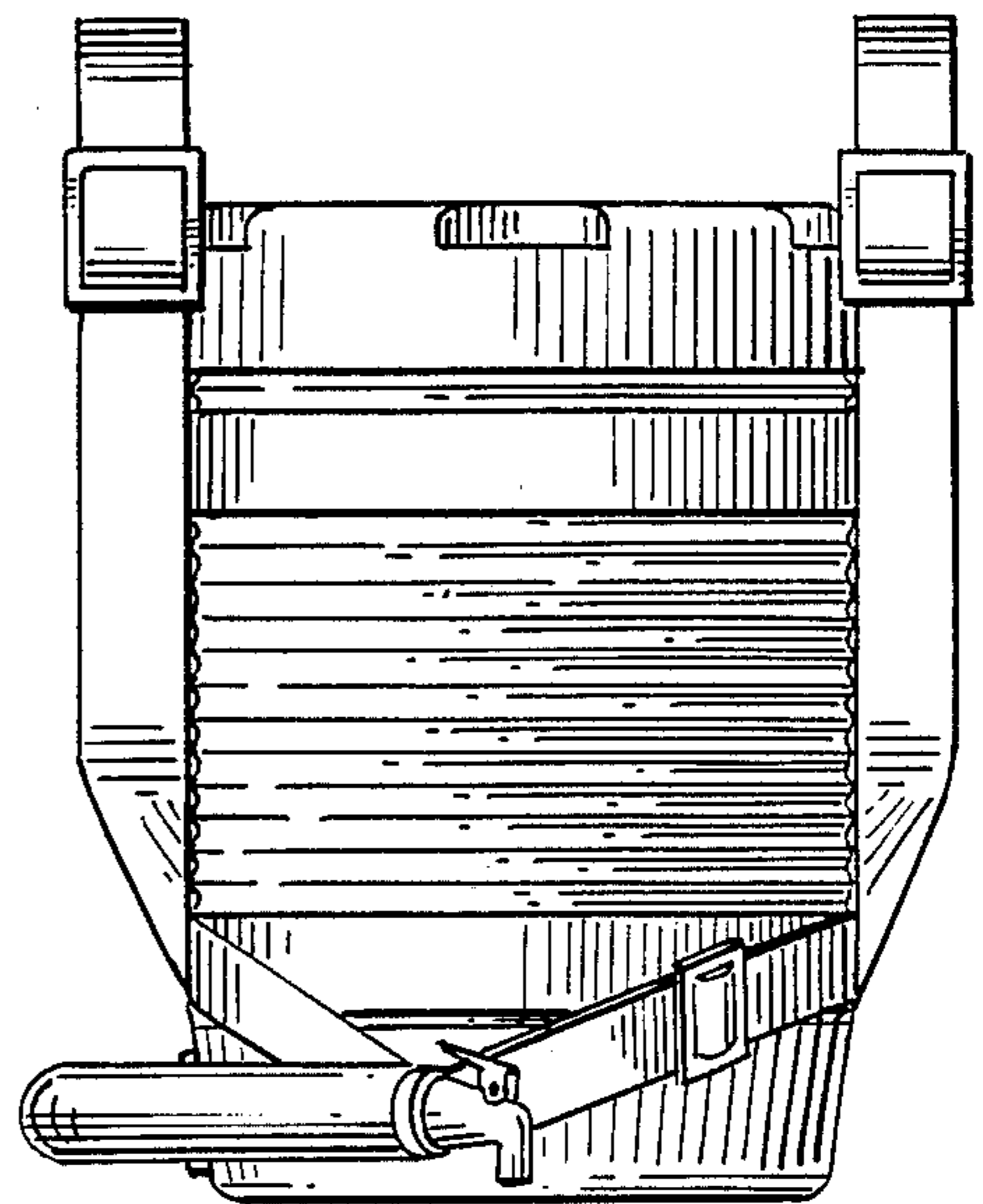
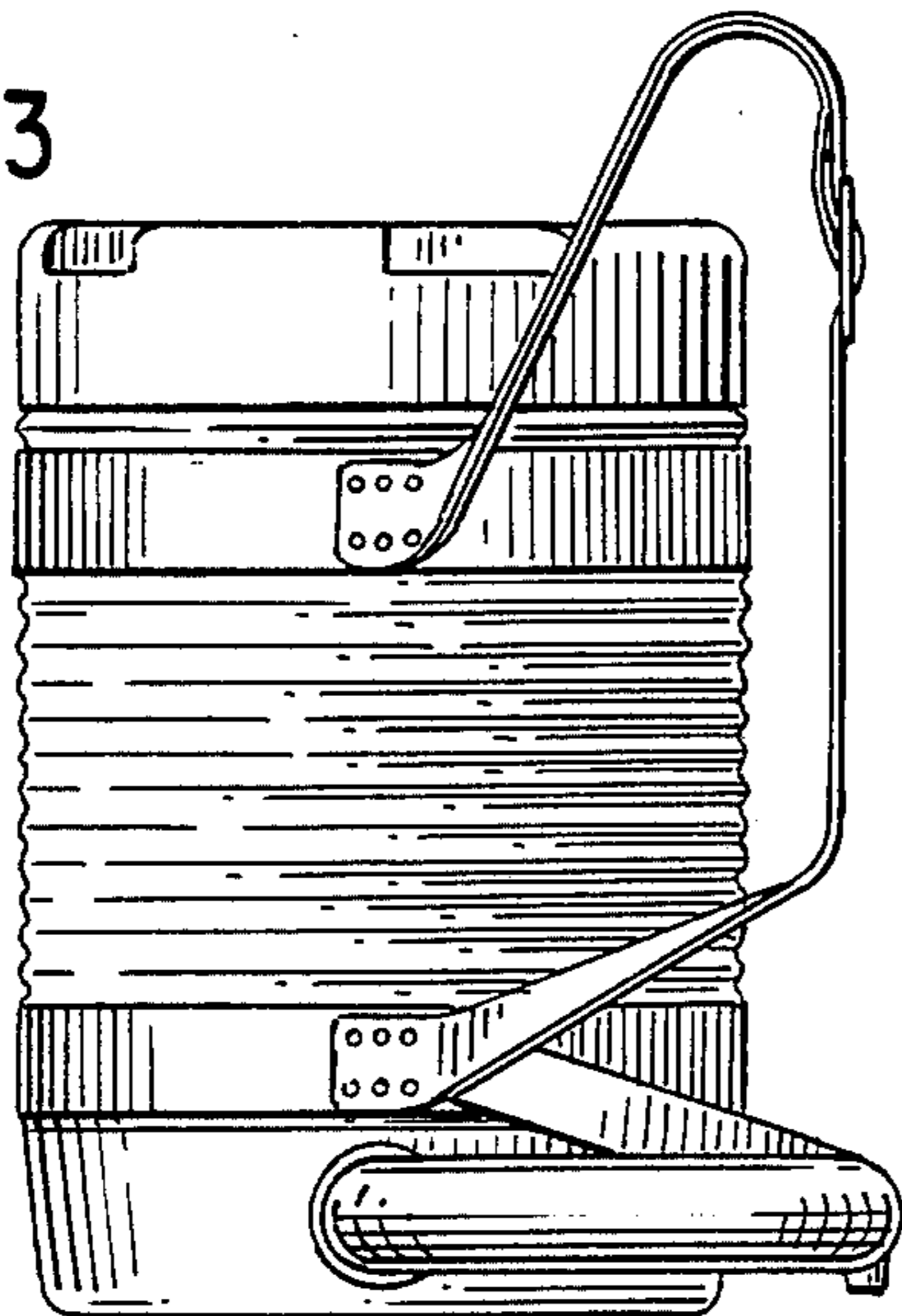


FIG. 4

FIG. 5

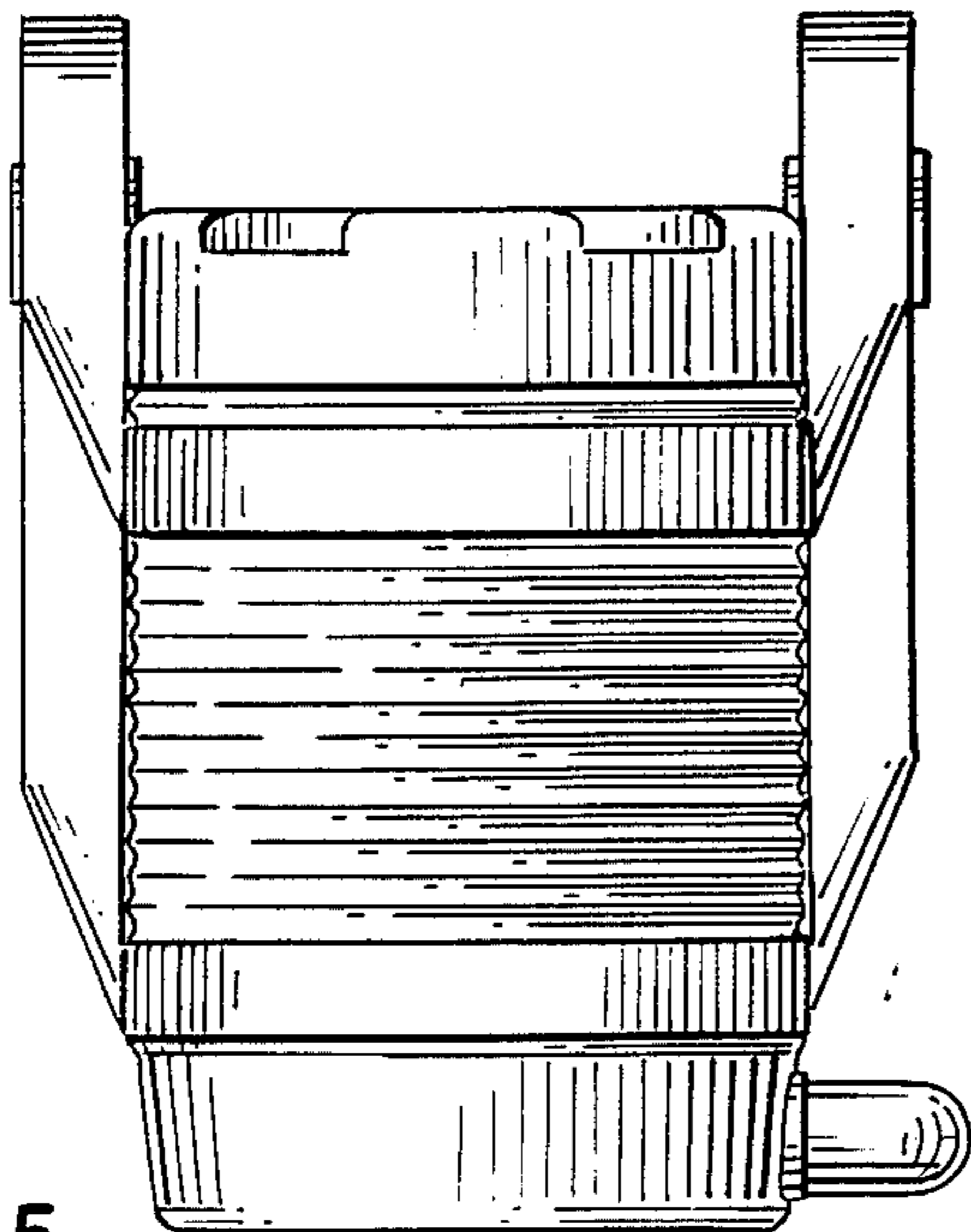


FIG. 6

