

[54] **MATTRESS PAD MATERIAL**
 [75] **Inventor: Richard W. Raburn, Mauldin, S.C.**
 [73] **Assignee: Span-America Medical Systems, Inc., Greenville, S.C.**
 [**] **Term: 14 Years**
 [21] **Appl. No.: 114,529**
 [22] **Filed: Oct. 28, 1987**
 [52] **U.S. Cl. D6/606**
 [58] **Field of Search D6/595-596, D6/597, 601, 604-605; 428/141, 158; 5/430-434, 448, 481, 508, 482; D25/119, 123, 125**

4,399,574 8/1983 Shuman 5/417
 4,603,445 8/1986 Spann 5/481
 4,605,582 8/1986 Sias et al. D6/606 X
 4,686,724 8/1987 Bedford 5/481
 4,686,725 8/1987 Mitchell 5/481

FOREIGN PATENT DOCUMENTS

1179789 12/1984 Canada 360/1
 569690 8/1958 France .
 526407 5/1955 Italy .
 571845 1/1976 Switzerland .
 1559851 1/1980 United Kingdom 27/14
 2025234 1/1980 United Kingdom .
 2084867 4/1982 United Kingdom .

Primary Examiner—Wallace R. Burke
Assistant Examiner—Brian N. Vinson
Attorney, Agent, or Firm—Dority & Manning

[56] **References Cited**
U.S. PATENT DOCUMENTS

D. 32,525 4/1900 Underwood D6/606 X
 658,789 10/1900 Legg .
 2,785,739 3/1957 McGregor, Jr. et al. 155/179
 3,047,282 7/1962 Hardy 267/1
 3,507,071 4/1970 Bryson D25/125 X
 3,885,257 5/1975 Rogers 5/345
 3,940,811 3/1976 Tomikawa et al. 5/361
 4,070,719 1/1978 Morgan 5/355
 4,276,666 7/1981 Yamada 5/481
 4,320,543 3/1982 Dixon 5/434
 4,383,342 5/1983 Forster 5/432

[57] **CLAIM**

The ornamental design for mattress pad material, as shown and described.

DESCRIPTION

FIG. 1 is a top perspective view of mattress pad material showing my new design, the bottom being plain and unornamented and the ribbing being understood to extend uniformly through its indeterminate length which is shown broken-away; and FIG. 2 is an enlarged fragmentary side elevational view thereof.

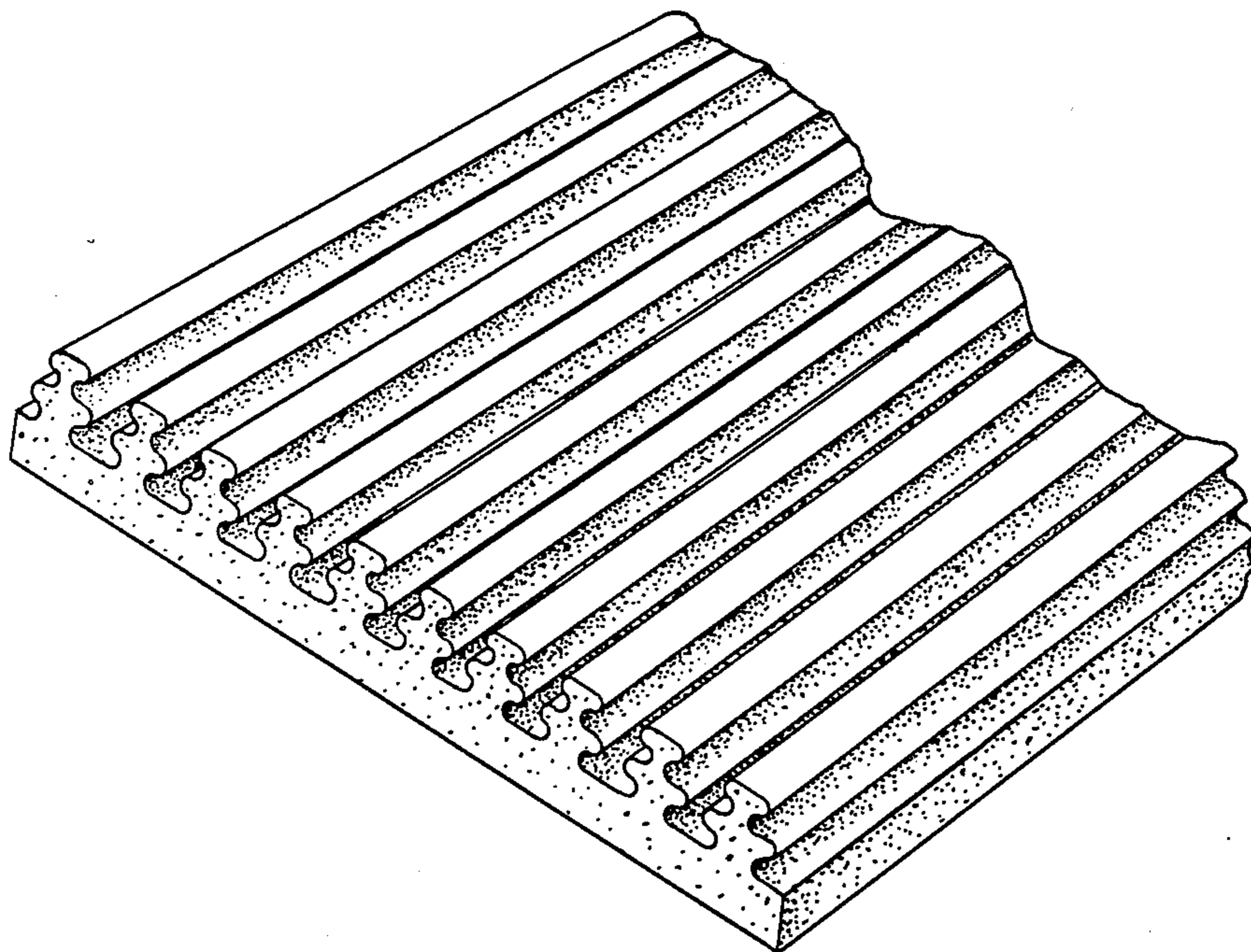


Fig. 1.

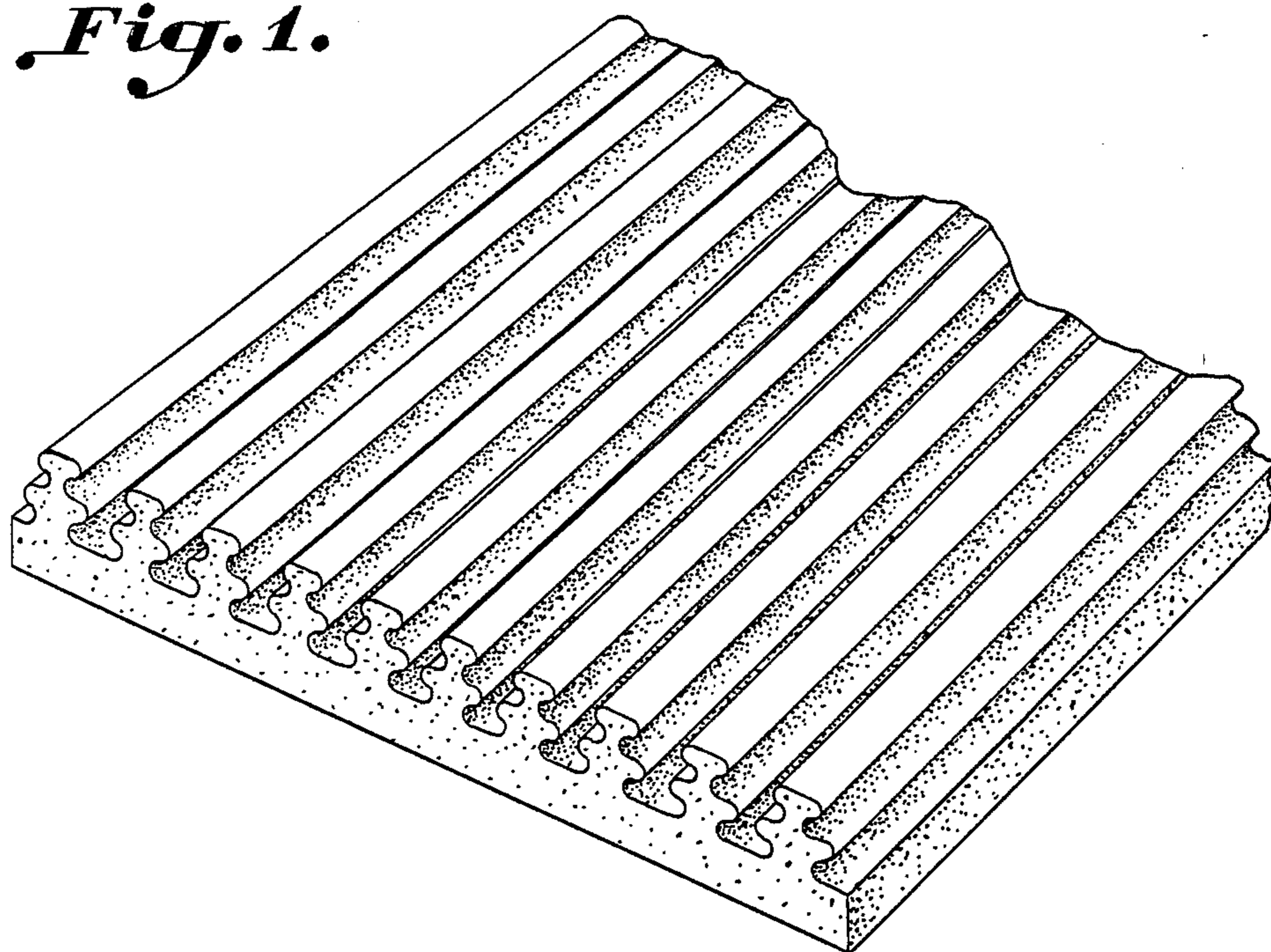


Fig. 2.

