

[54] **ORNAMENT OR PLATE DISPLAY HOLDER**

[76] **Inventor:** Christian B. Cadman, 309 East 24th Avenue, Vancouver, British Columbia, Canada, V5V 1Z8

[**] **Term:** 14 Years

[21] **Appl. No.:** 885,028

[22] **Filed:** Jul. 14, 1986

[30] **Foreign Application Priority Data**

May 23, 1986 [CA] Canada 23-05-86-8

[52] **U.S. Cl.** D6/572; D8/373

[58] **Field of Search** D6/373-374,
D6/526, 310, 314, 300; D8/371, 373;
248/441.1, 444.1, 445, 447.1, 451, 459

[56] **References Cited**

U.S. PATENT DOCUMENTS

D. 112,588	12/1938	Lowen	D8/371 X
D. 196,300	9/1963	Isensee, Jr.	D8/371
D. 204,446	4/1966	Bardon	D8/371 X
D. 214,383	6/1969	Johnson	D8/371
D. 227,326	6/1973	Venuta	D6/310
D. 289,233	12/1987	Cadman	D6/310 X
3,809,352	5/1974	Mathias	248/451

OTHER PUBLICATIONS

J. D. Acrylics Catalogue (1983), p. 6, "Clutch Bag" stand.

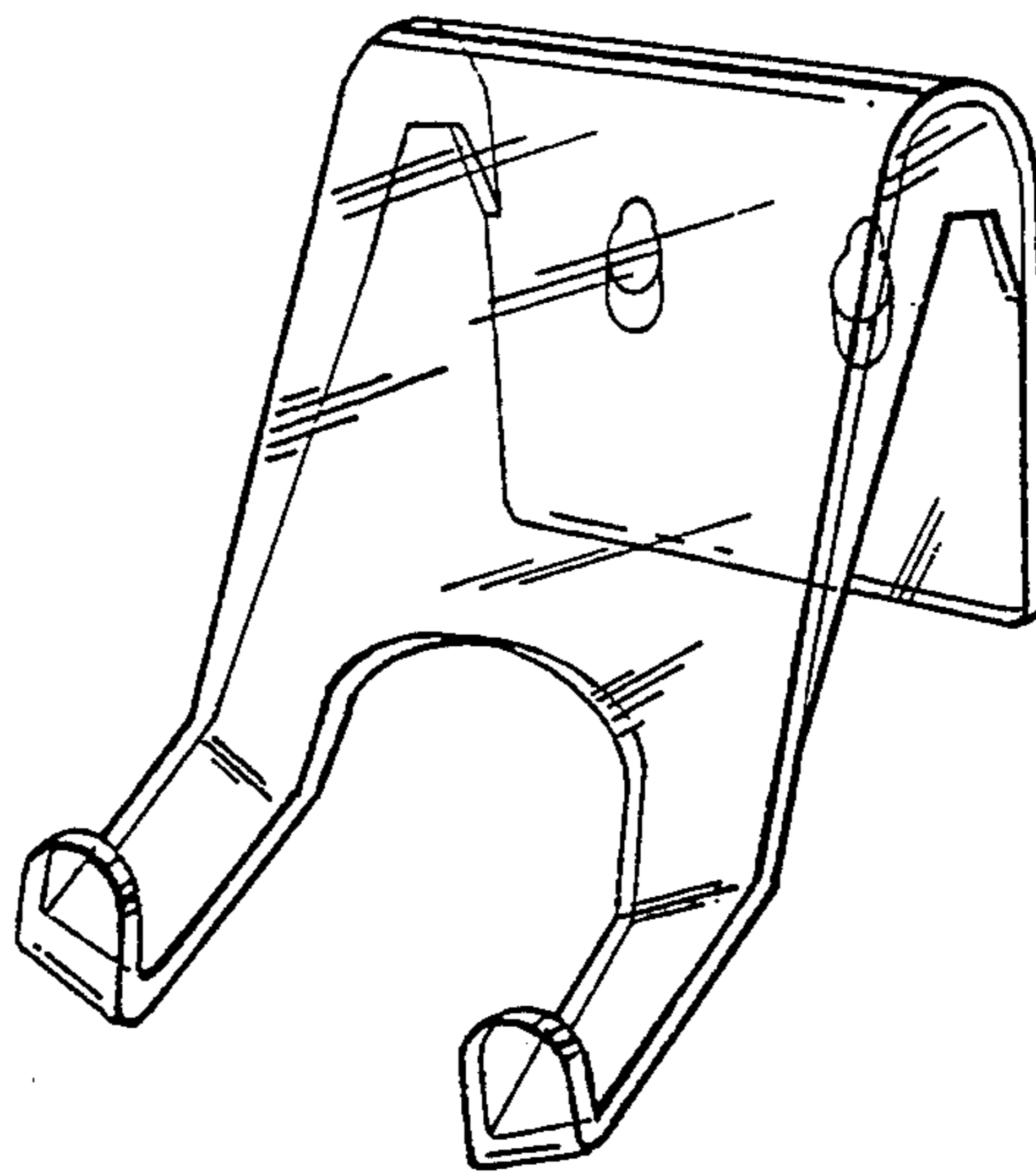
Primary Examiner—Wallace R. Burke
Assistant Examiner—Brian N. Vinson
Attorney, Agent, or Firm—Klarquist, Sparkman, Campbell, Leigh & Whinston

[57] **CLAIM**

The ornamental design for an ornament or plate display holder, as shown and described.

DESCRIPTION

FIG. 1 is a perspective view of an ornament or plate display holder showing my new design;
FIG. 2 is a front elevational view thereof;
FIG. 3 is a top plan view thereof;
FIG. 4 is a right side elevational view thereof, the left side being a mirror image of that shown;
FIG. 5 is a rear elevational view thereof;
FIG. 6 is a perspective view of an alternate embodiment thereof;
FIG. 7 is a front elevational view of the embodiment of FIG. 6;
FIG. 8 is a top plan view of the embodiment of FIG. 6;
FIG. 9 is a right side elevational view of the embodiment of FIG. 6, the left side being a mirror image of that shown; and
FIG. 10 is a rear elevational view of the embodiment of FIG. 6.



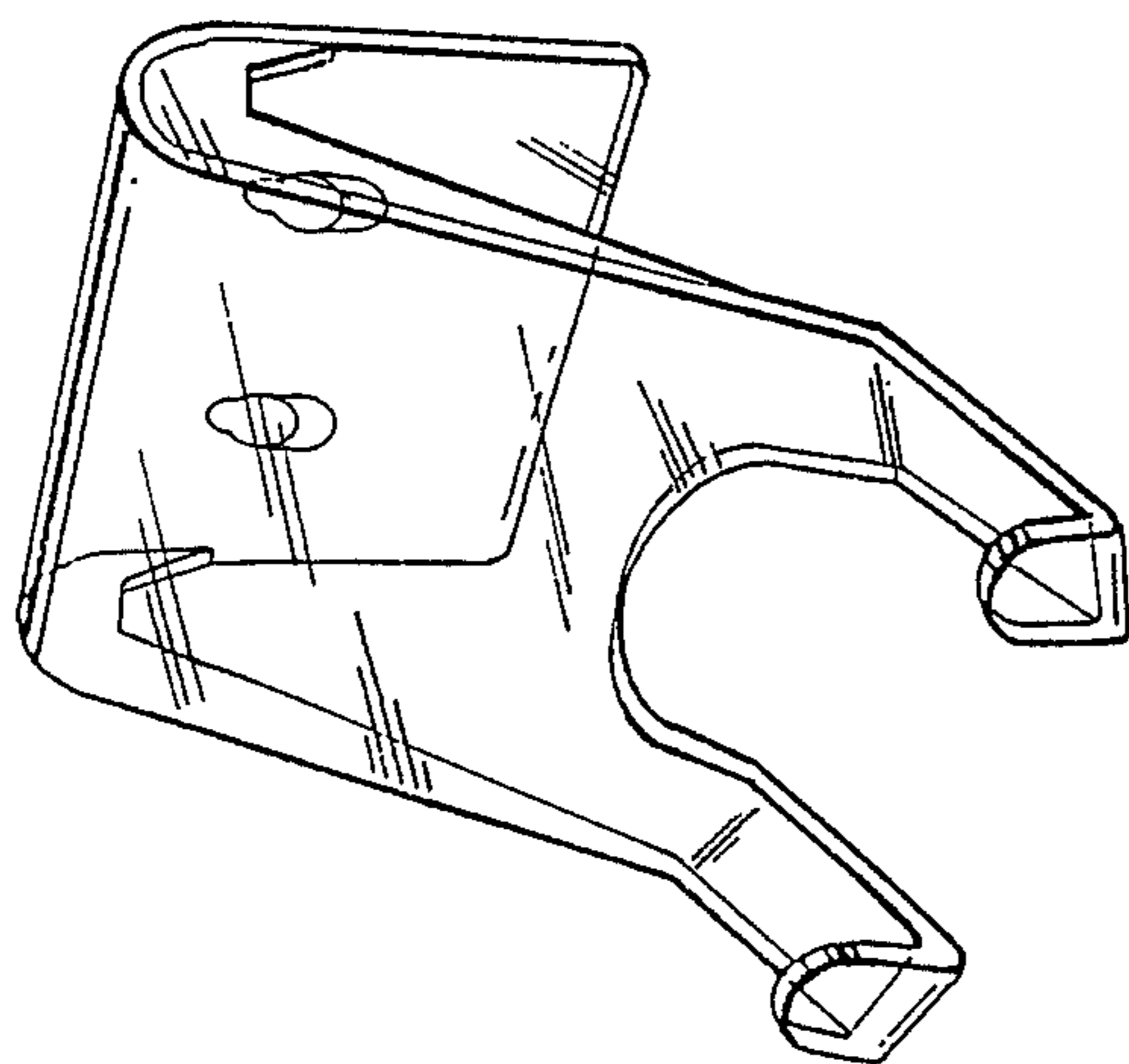


FIG. 1

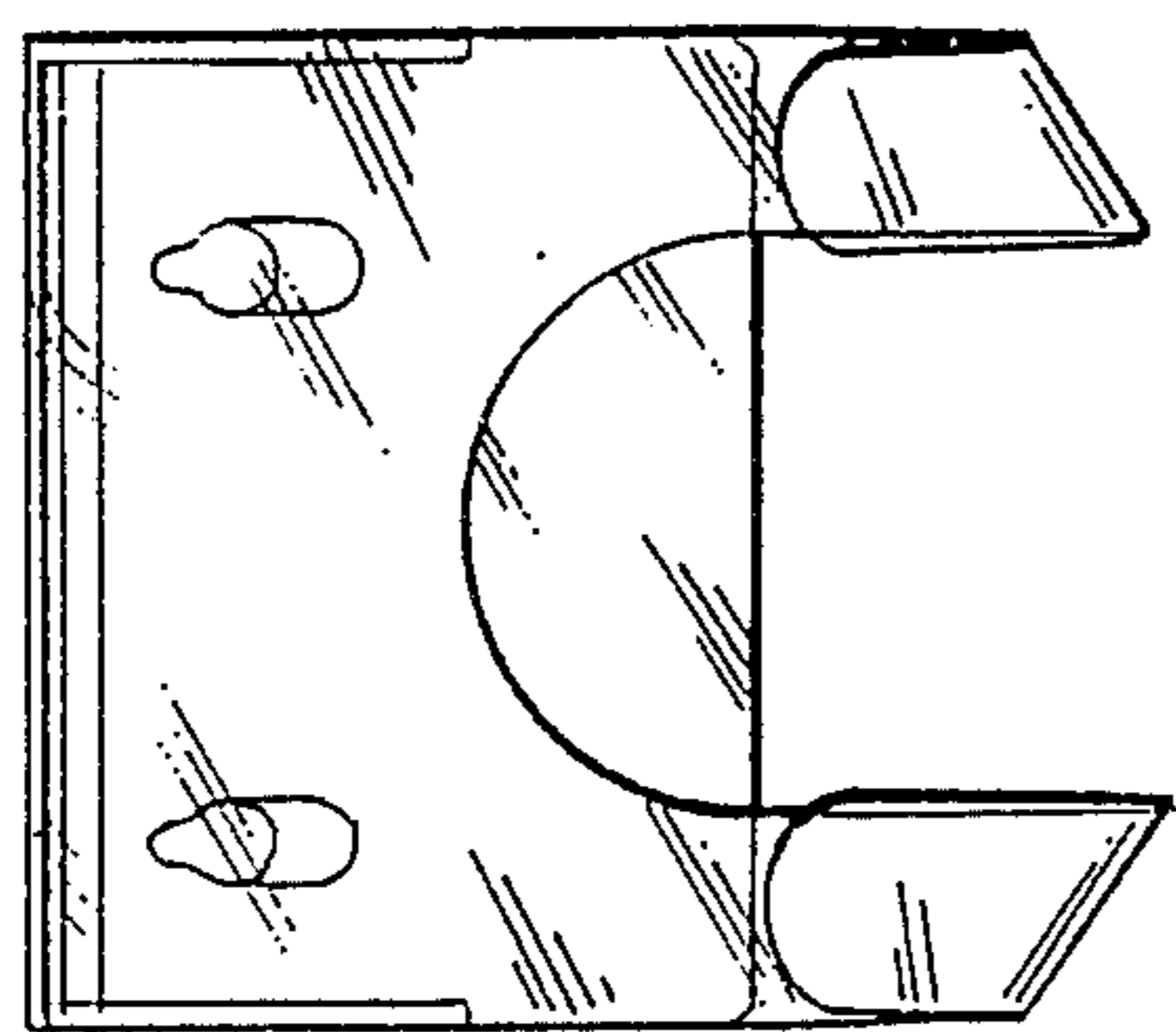


FIG. 2

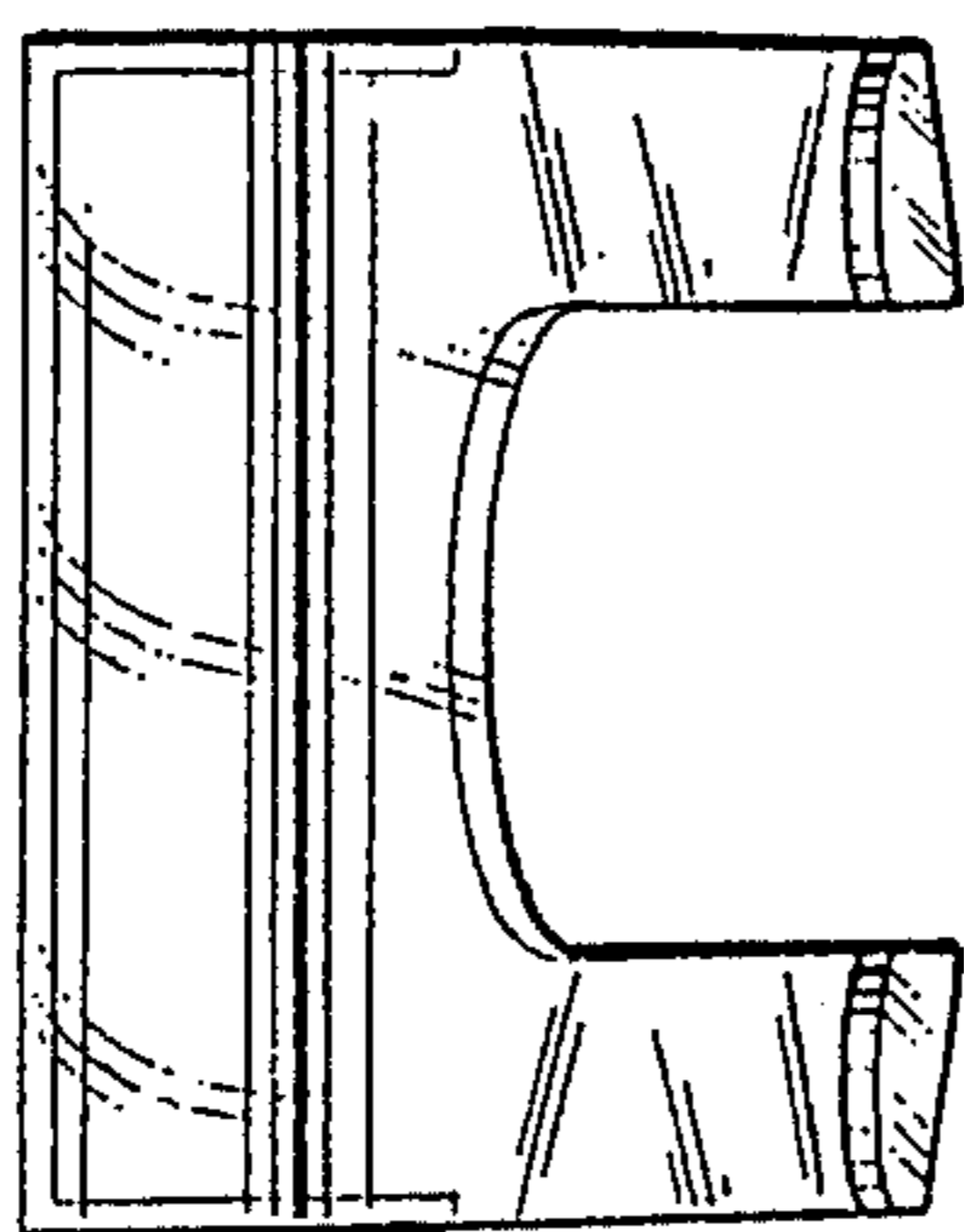


FIG. 3

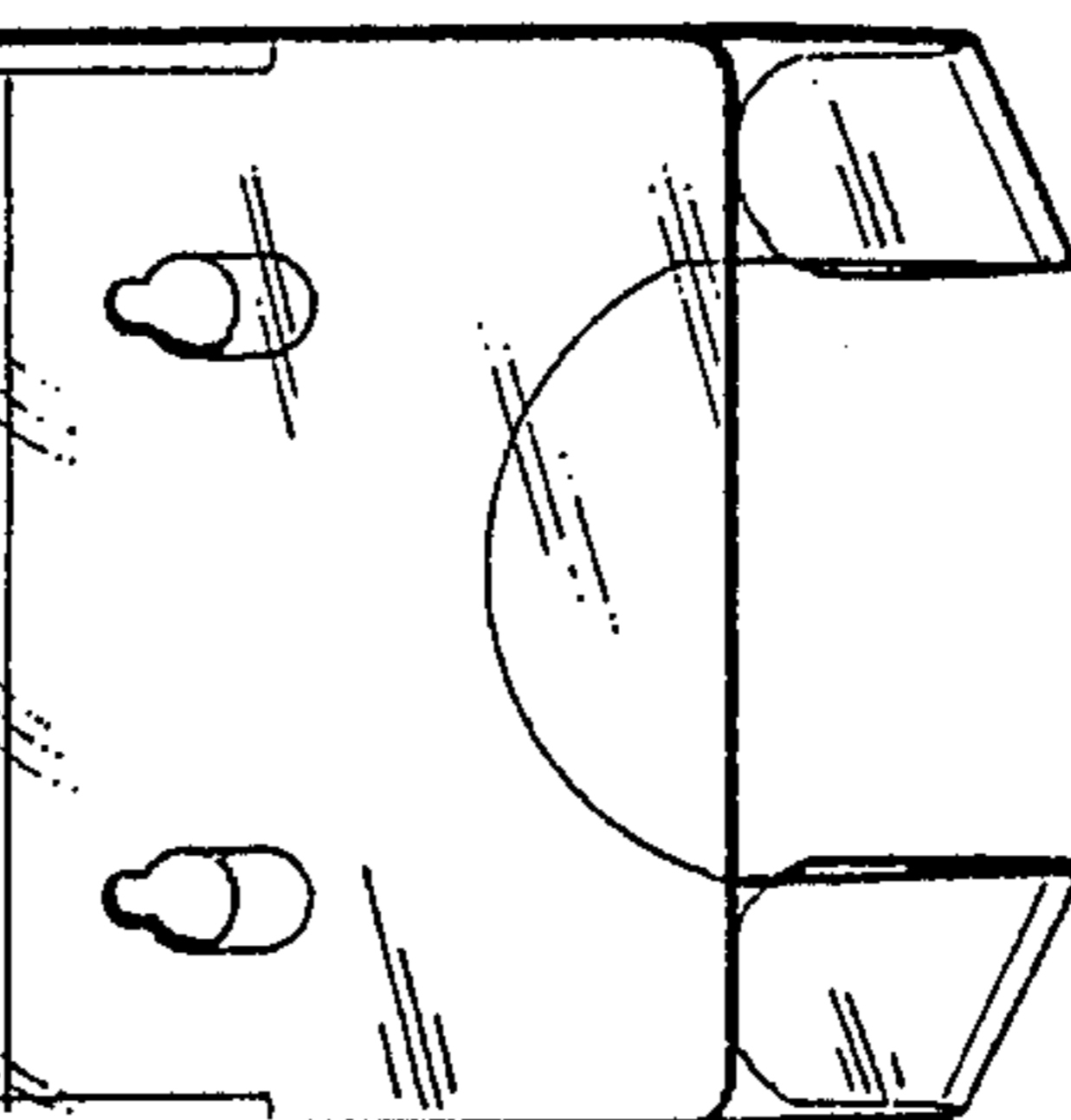


FIG. 5

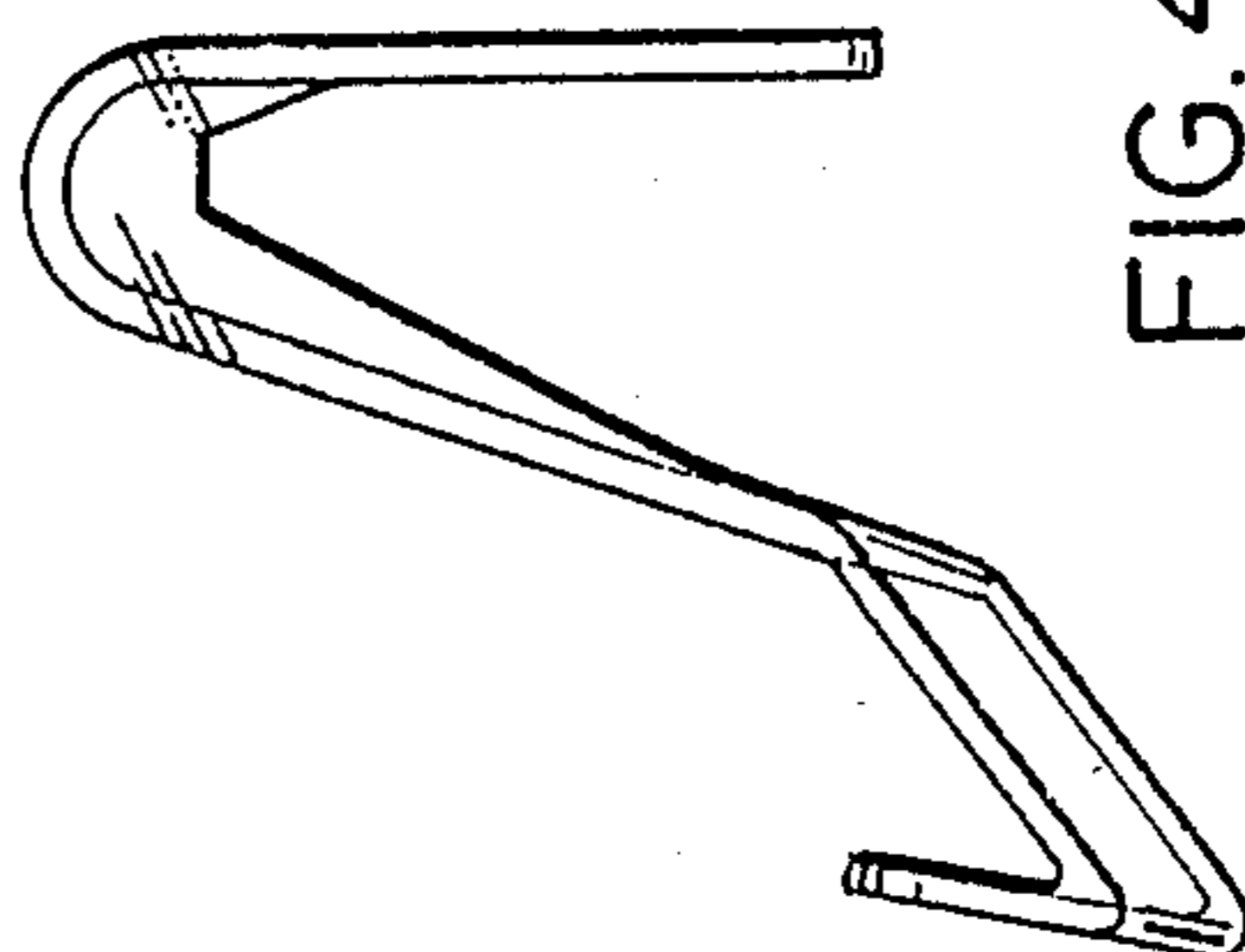


FIG. 4

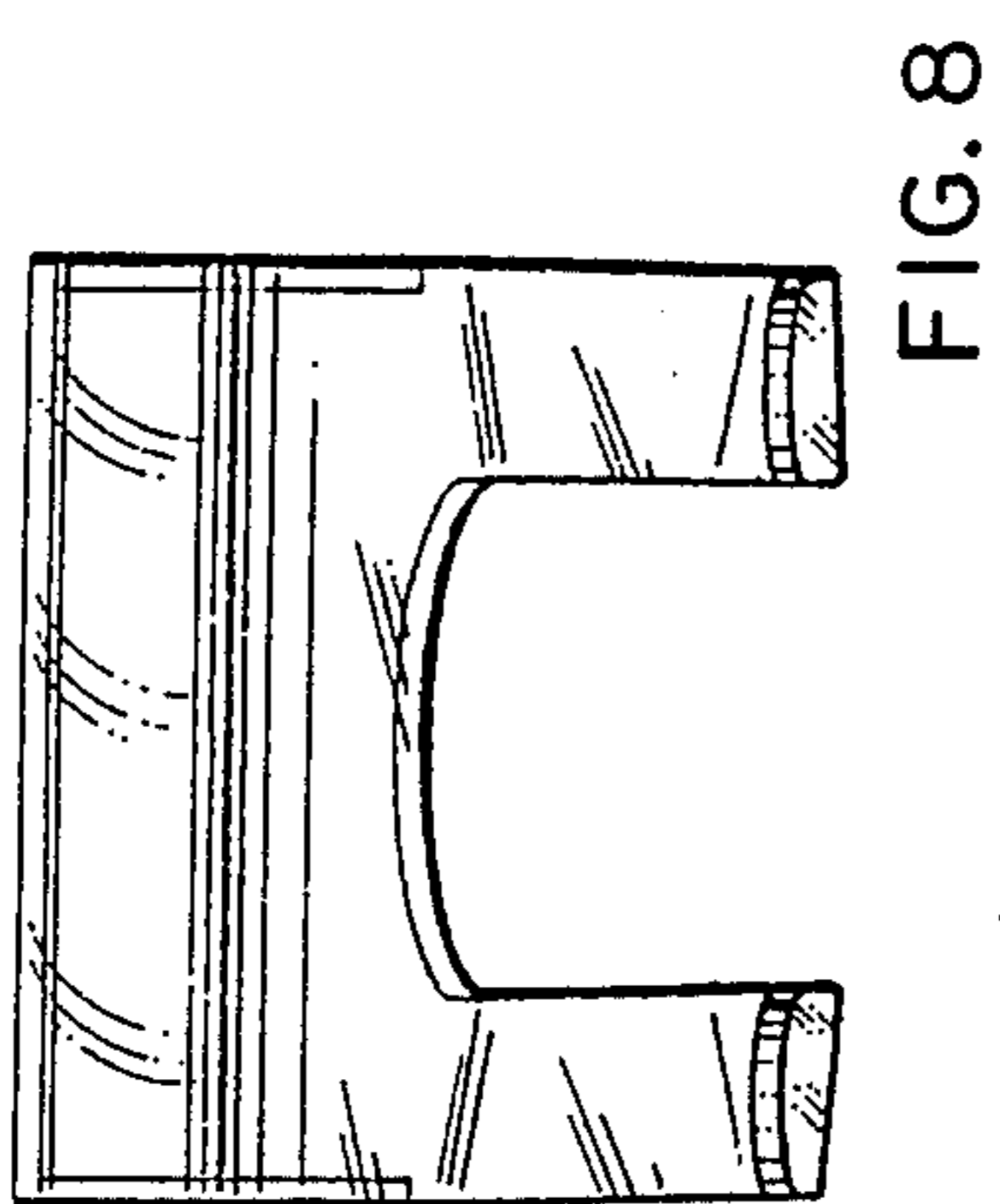


FIG. 8

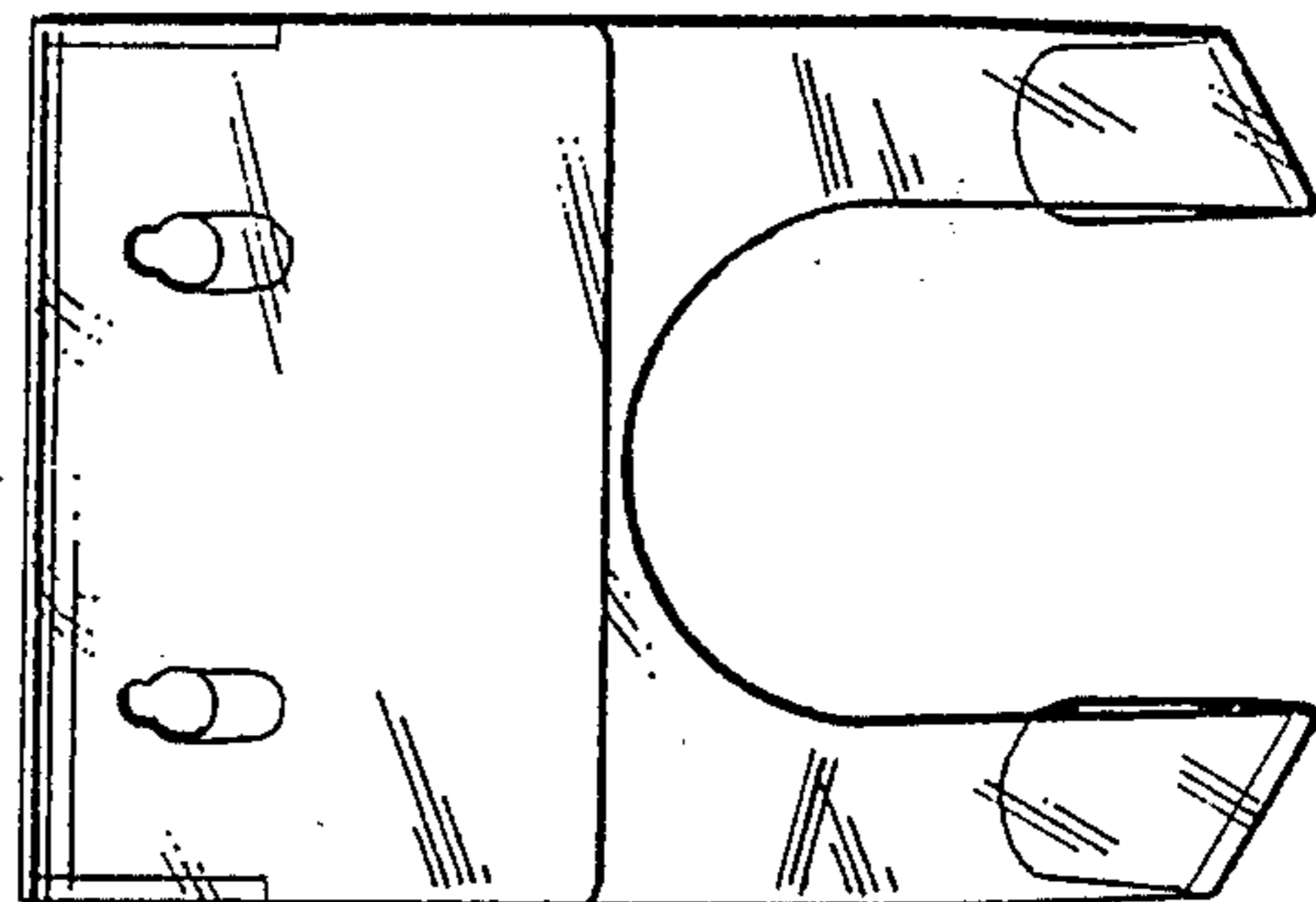


FIG. 10

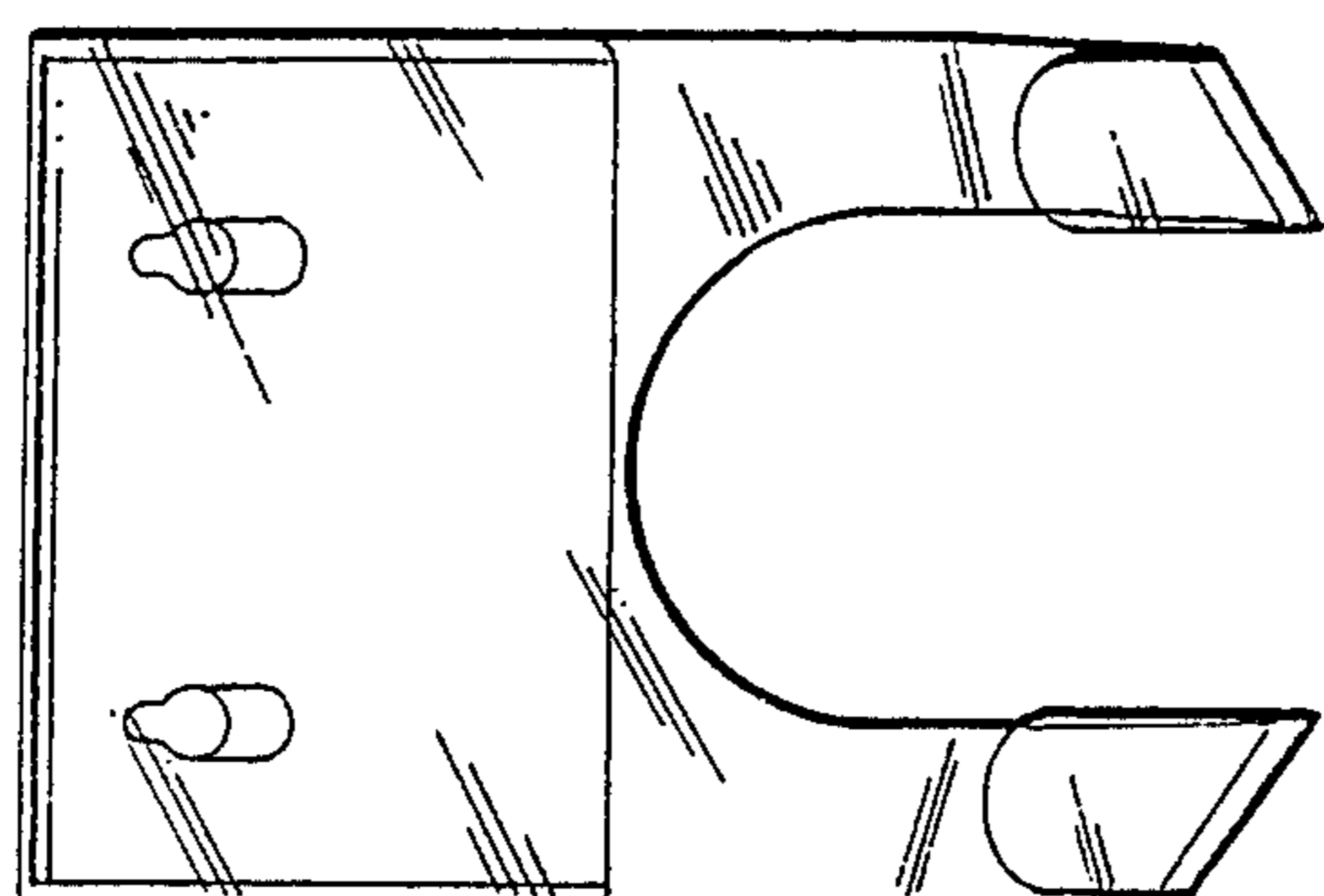


FIG. 7

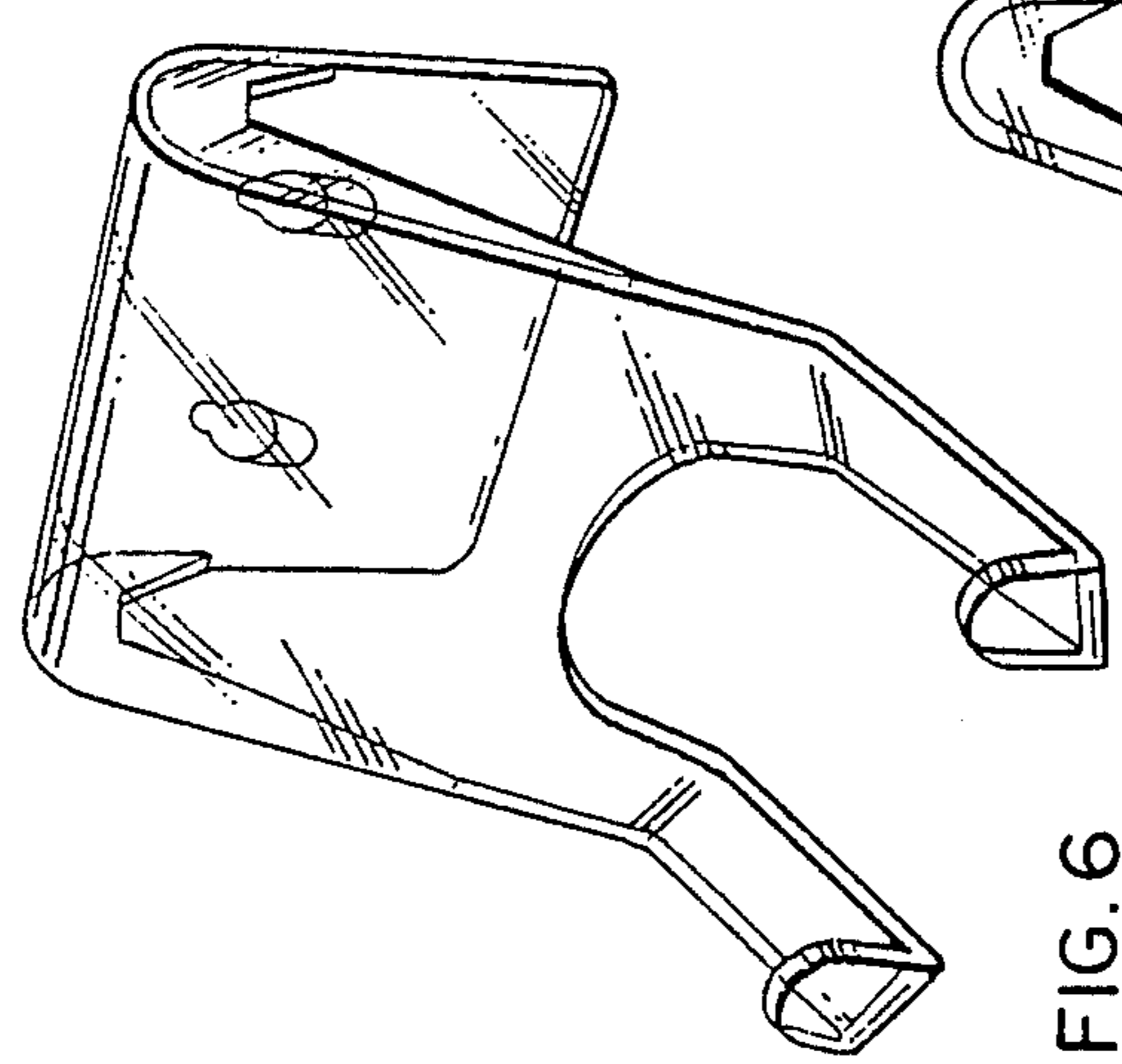


FIG. 6

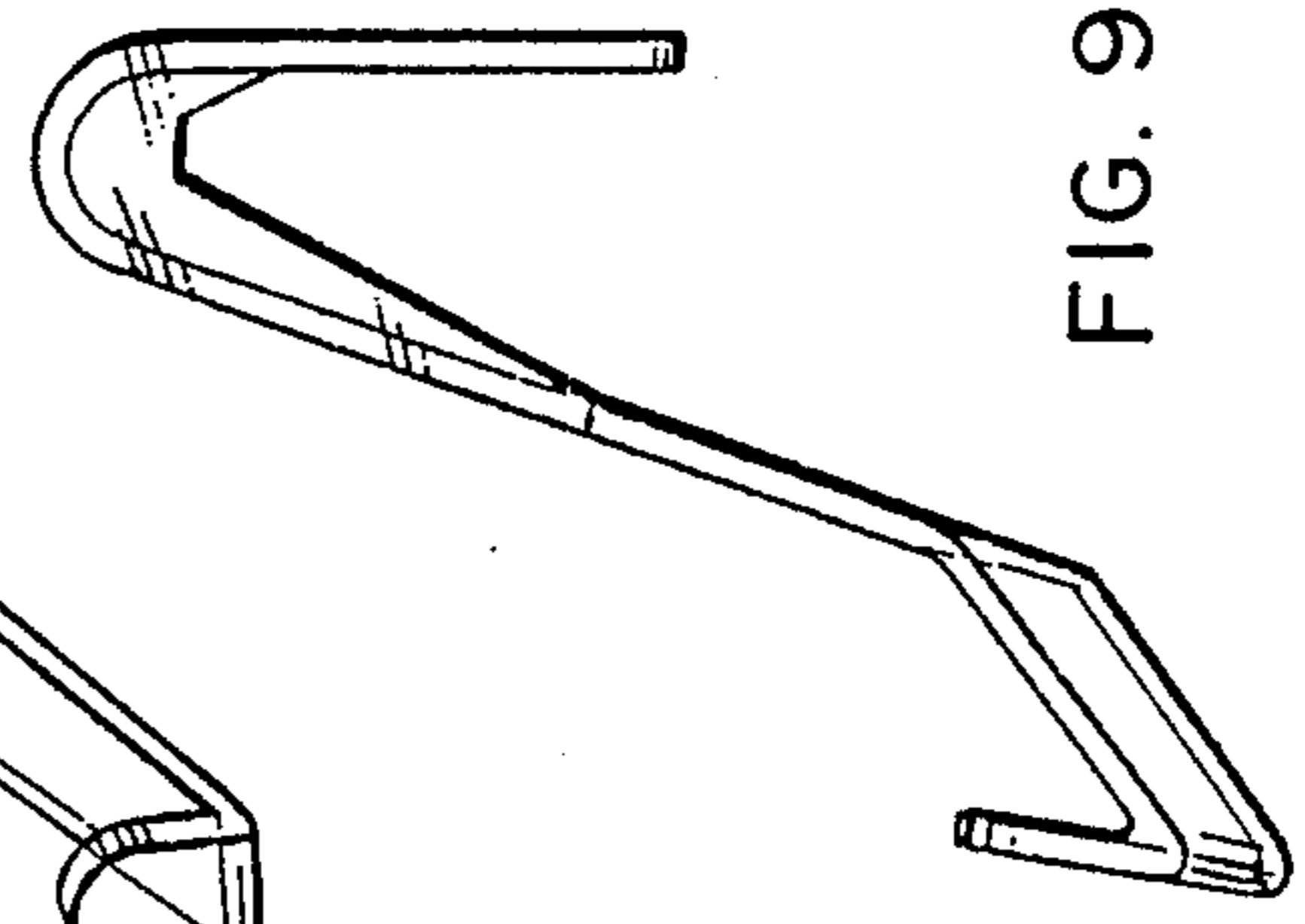


FIG. 9