

[54] **PICTURE DISPLAY RECEPTACLE**

[75] **Inventor: Sergio Tontarelli, Ancona, Italy**

[73] **Assignee: Simaco Import Ltd., Ville St. Laurent, Canada**

[\*\*] **Term: 14 Years**

[21] **Appl. No.: 74,011**

[22] **Filed: Jul. 15, 1987**

[30] **Foreign Application Priority Data**

Mar. 13, 1987 [IT] Italy ..... 521-B/87  
[52] **U.S. Cl.** ..... **D6/311**  
[58] **Field of Search** ..... **D6/300-314;**  
40/152, 152.1, 155

[56] **References Cited**  
**U.S. PATENT DOCUMENTS**

D. 276,397 11/1984 Pfanstiehl ..... D6/300

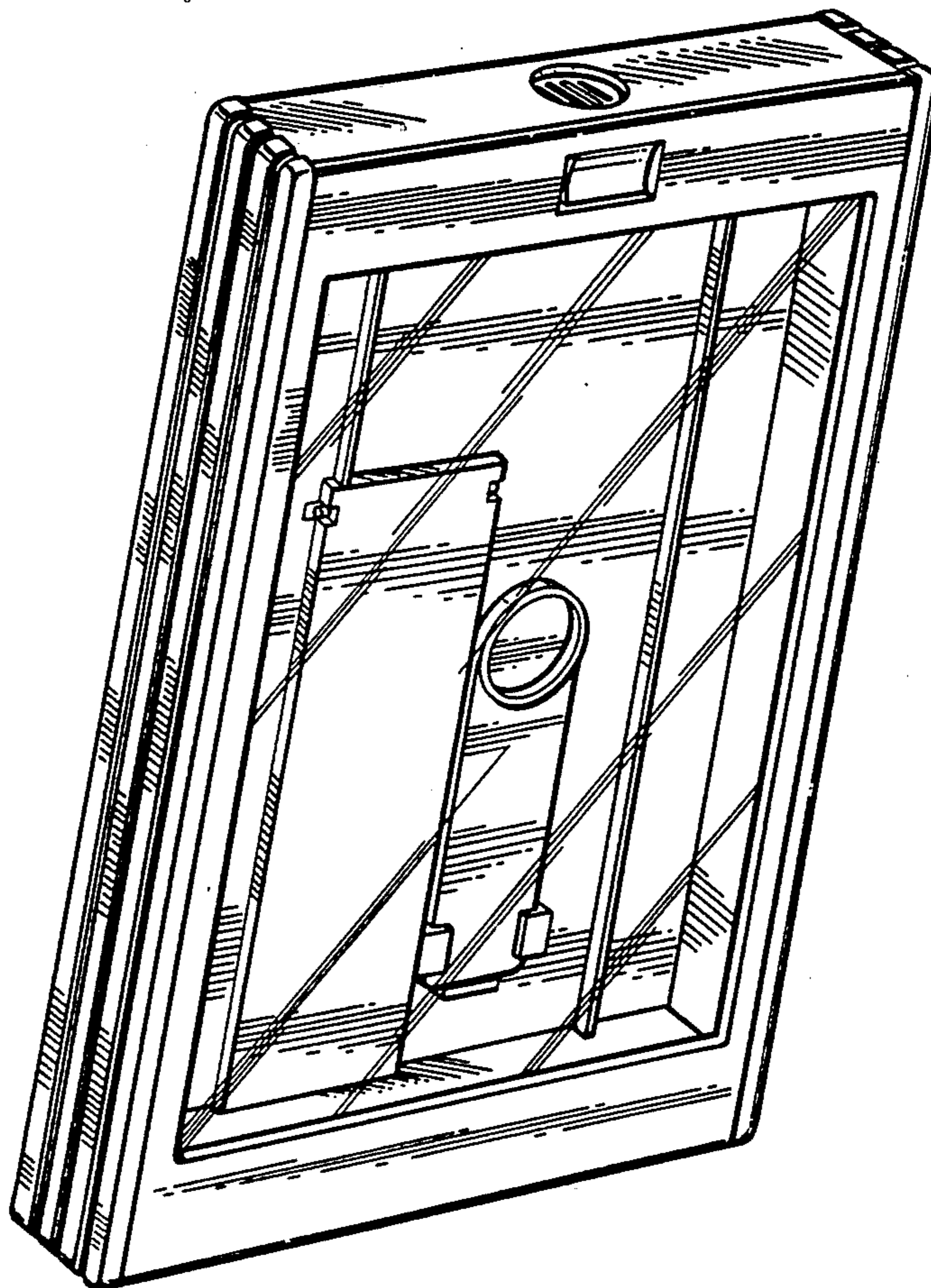
*Primary Examiner*—Bernard Ansher  
*Assistant Examiner*—Terry A. Pfeffer  
*Attorney, Agent, or Firm*—Ivor M. Hughes

[57] **CLAIM**

The ornamental design for a picture display receptacle, as shown and described.

**DESCRIPTION**

FIG. 1 is a perspective view of a picture display receptacle showing my new design;  
FIG. 2 is a top plan view thereof;  
FIG. 3 is a bottom plan view thereof;  
FIG. 4 is a side elevational view thereof;  
FIG. 5 is a front elevational view thereof;  
FIG. 6 is a rear elevational view thereof;  
FIG. 7 is a bottom perspective view thereof; and  
FIG. 8 is a perspective view thereof with the easel extended.



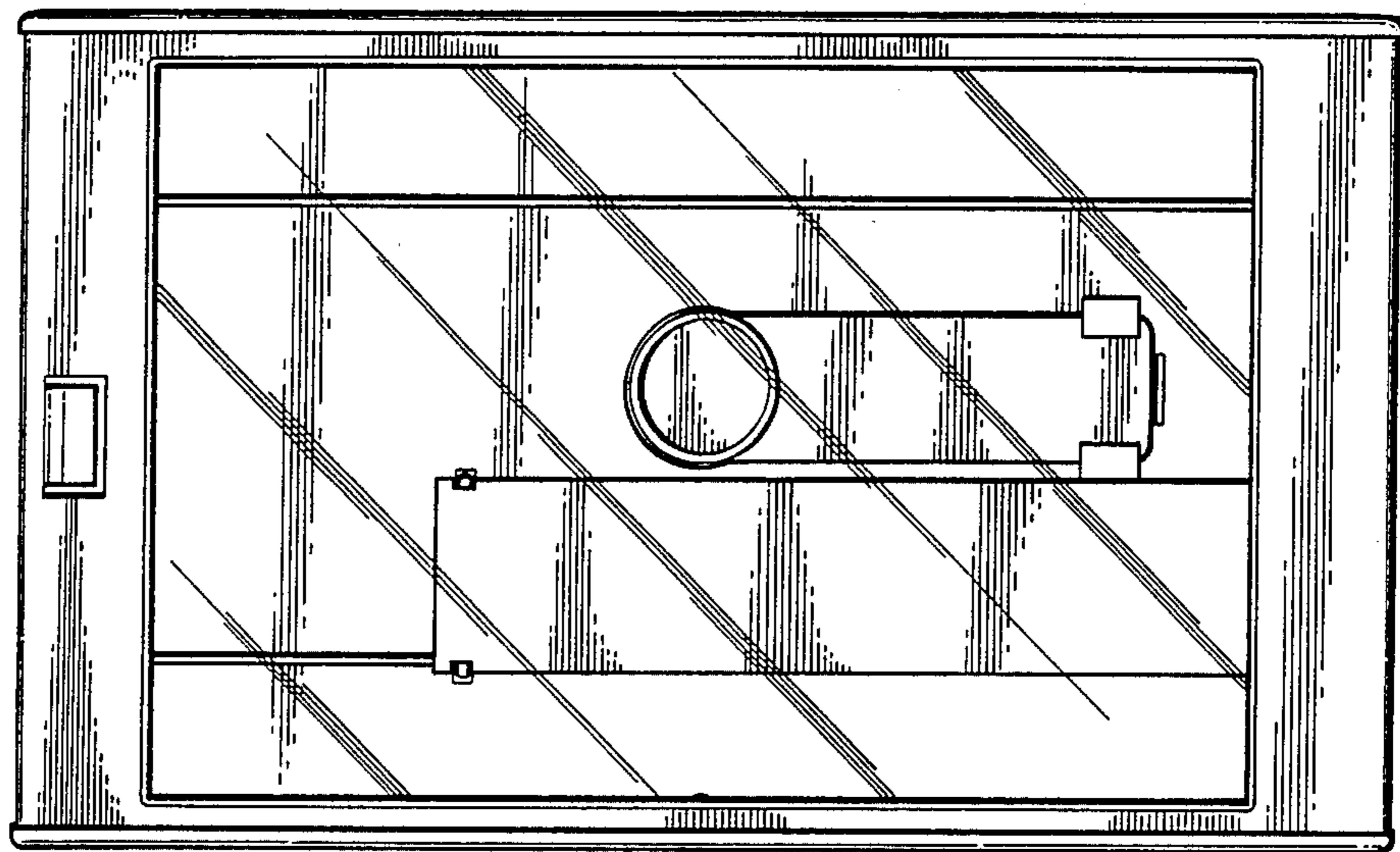


FIG. 2.

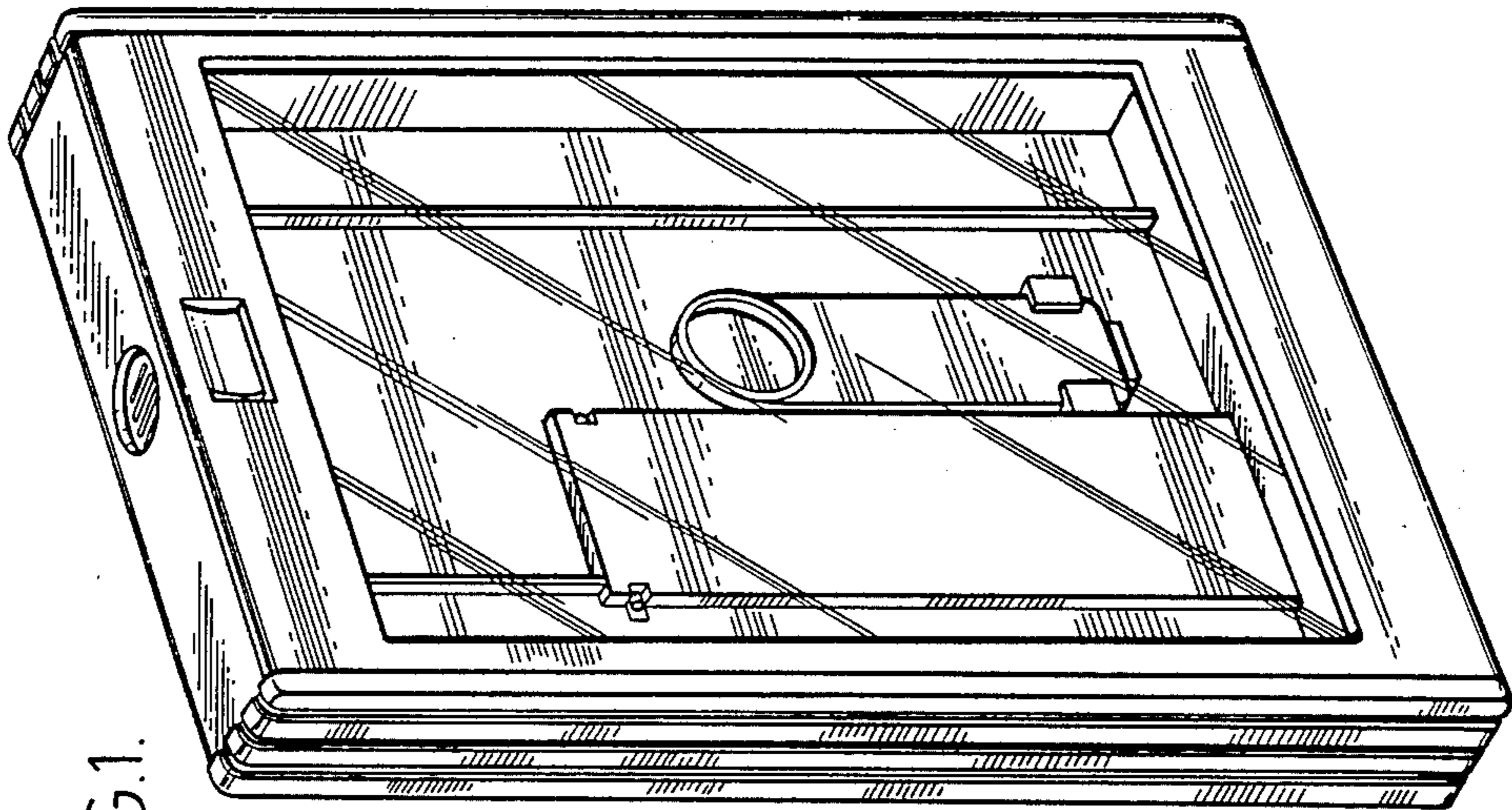


FIG. 1.

