

[54] **PICTURE FRAME**

[76] **Inventor: Lance S. Davis, 8-10 Eastern Place,
Hawthorn East, Victoria, 3123,
Australia**

[**] **Term: 14 Years**

[21] **Appl. No.: 73,430**

[22] **Filed: Jul. 15, 1987**

[52] **U.S. Cl. D6/310**

[58] **Field of Search D6/300-314;
40/152, 152.1, 155**

[56] **References Cited
PUBLICATIONS**

Gift & Decorative Accessories, 6/84, p. 175, Picture
Frame #FEL 515.

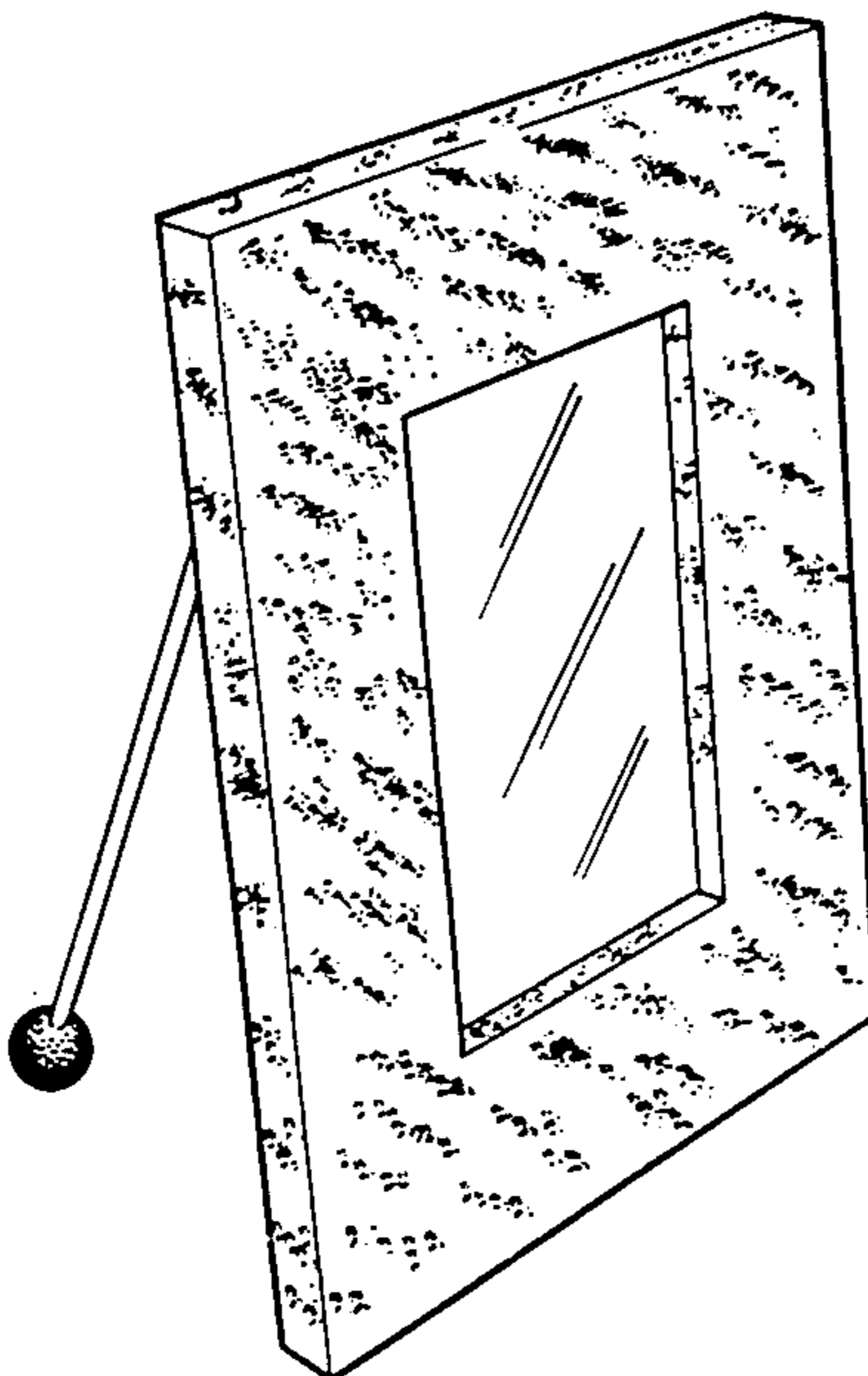
Primary Examiner—Charles A. Rademaker
Assistant Examiner—Terry A. Pfeffer
Attorney, Agent, or Firm—Burns, Doane, Swecker &
Mathis

[57] **CLAIM**

The ornamental design for a picture frame, as shown
and described.

DESCRIPTION

FIG. 1 is a front perspective view of a picture frame
showing my new design;
FIG. 2 is a bottom, rear perspective view thereof;
FIG. 3 is a top, rear perspective view thereof;
FIG. 4 is a side elevational view thereof; and
FIG. 5 is an exploded perspective view thereof.



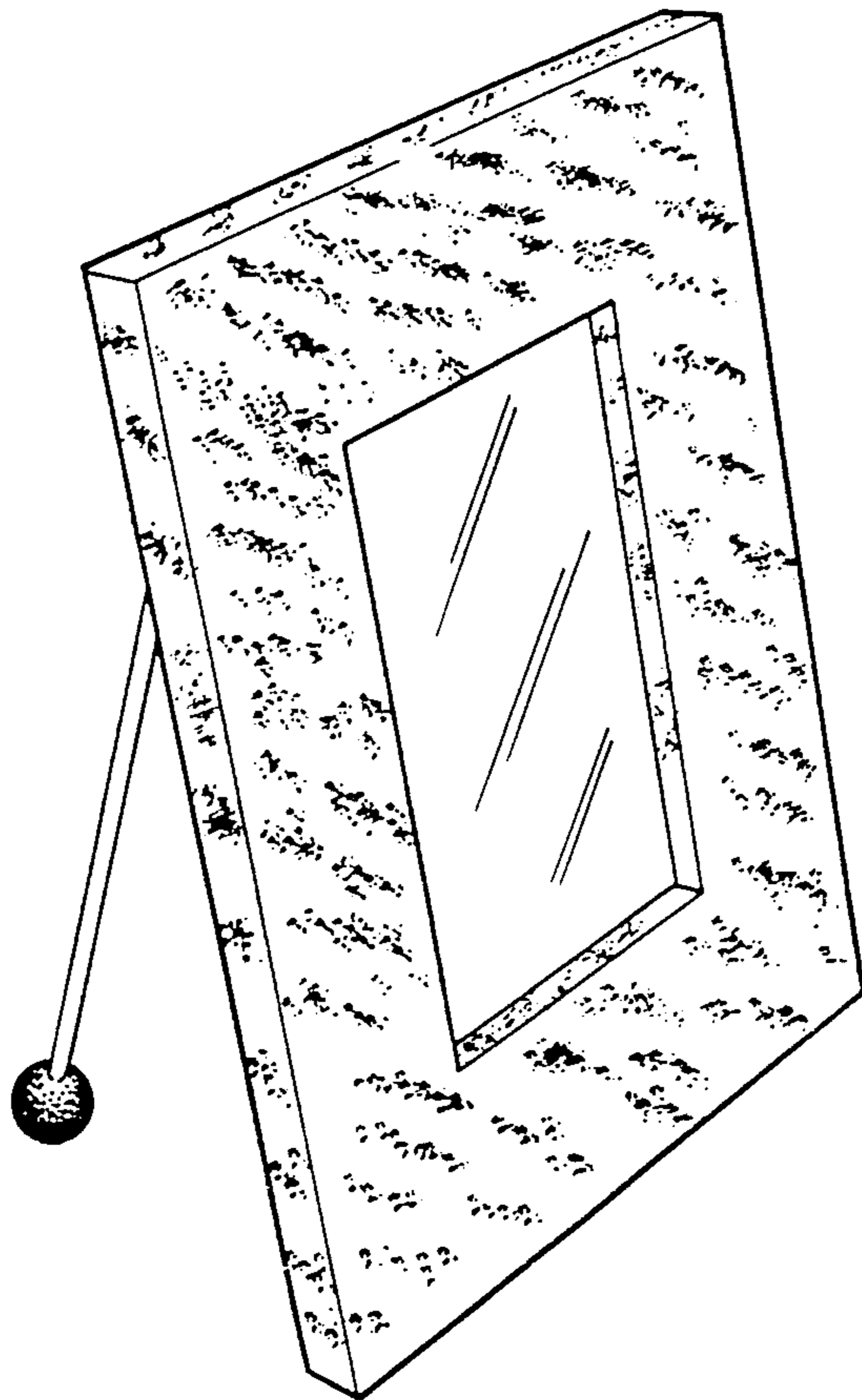


FIG. 1.

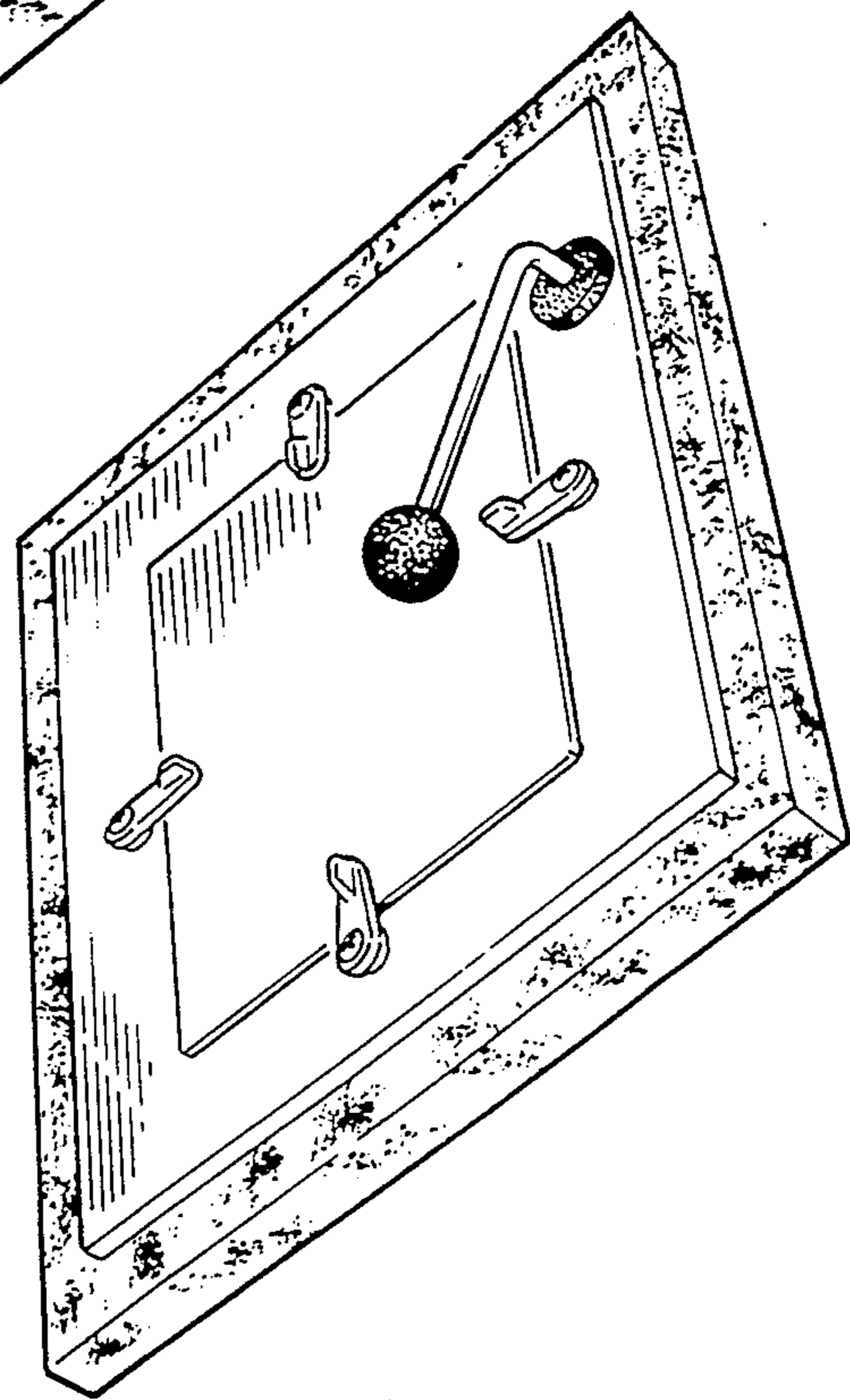


FIG. 2.

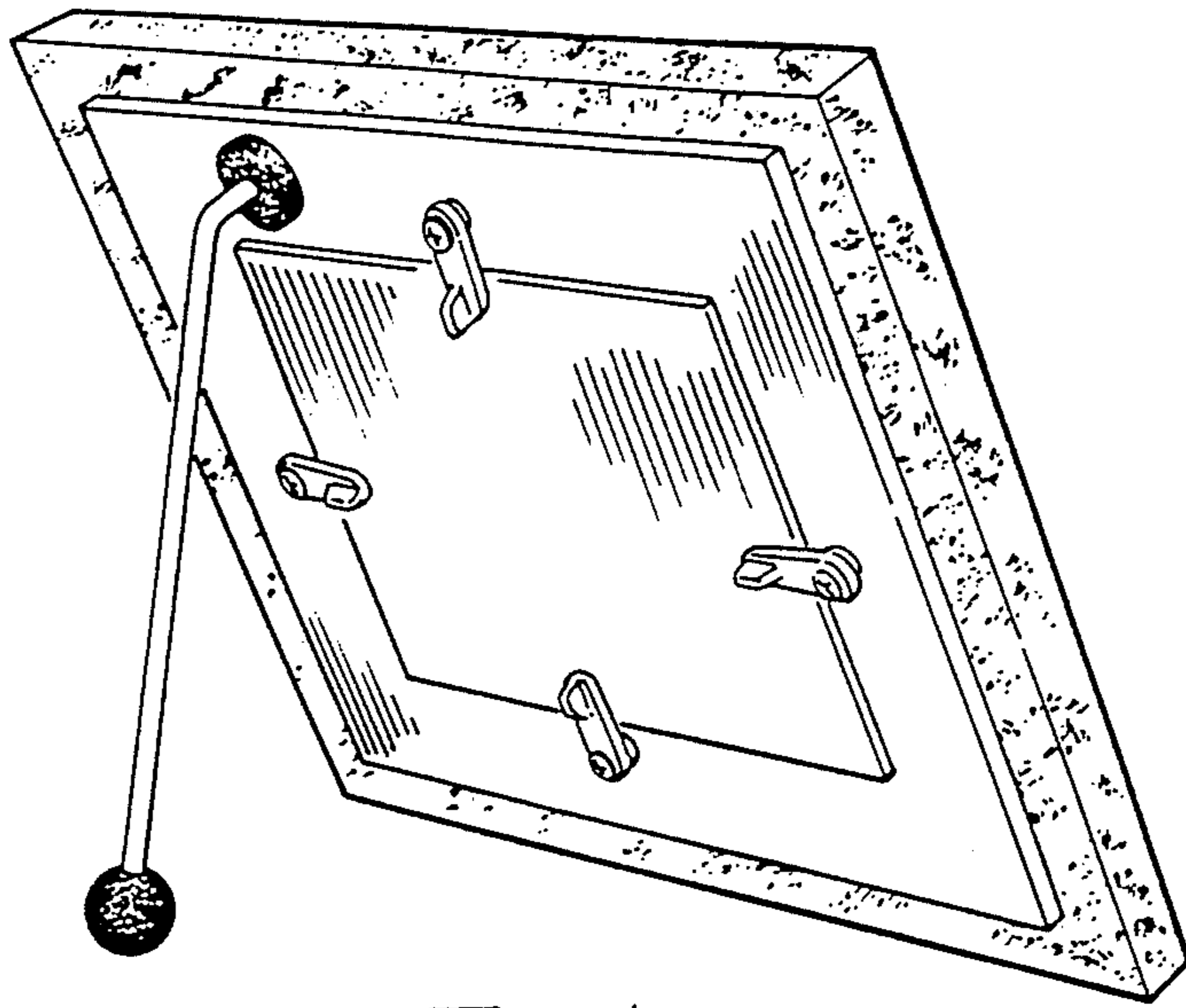


FIG. 4.

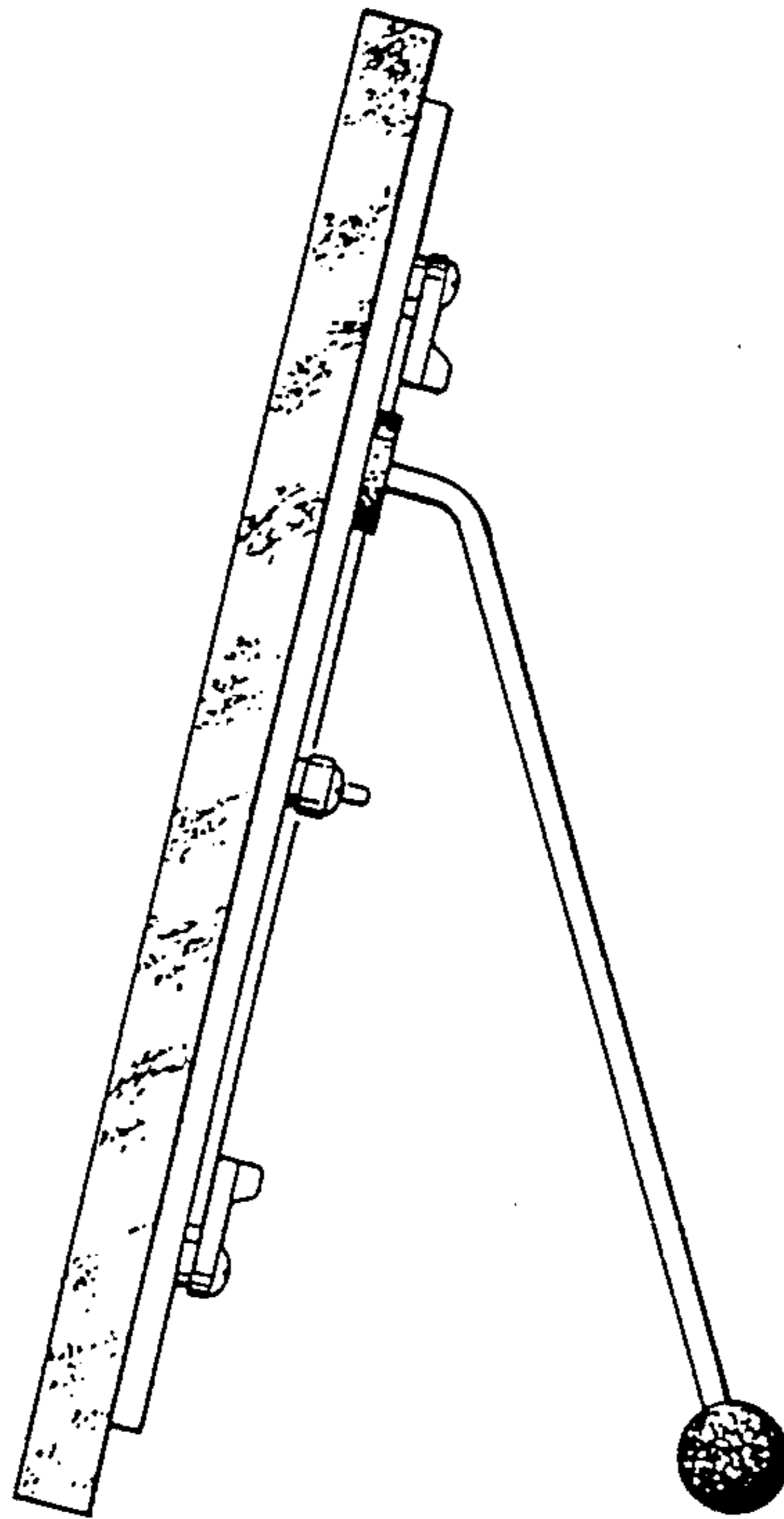


FIG. 3.

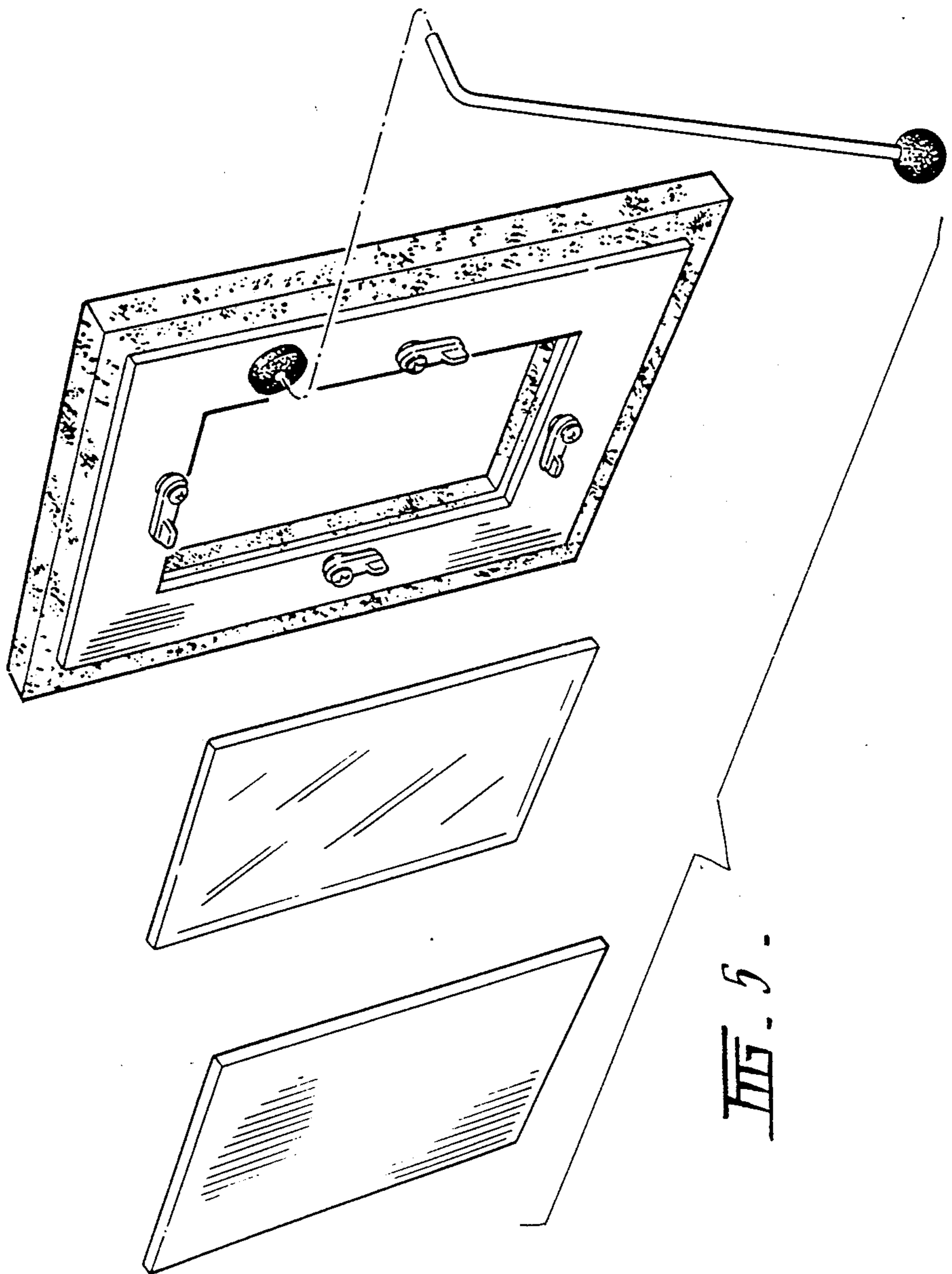


FIG. 5.