

[54] PICTURE FRAME

[76] Inventor: Willis Y. Jordan, 965 Shades Crest Rd., Birmingham, Ala. 35226

[**] Term: 14 Years

[21] Appl. No.: 123,996

[22] Filed: Nov. 23, 1987

[52] U.S. Cl. D6/300

[58] Field of Search D6/300-302, D6/308-310; 40/152, 152.1, 156

[56] References Cited

U.S. PATENT DOCUMENTS

D. 169,116 3/1953 Wienke D6/300
2,602,254 7/1952 Diekmann 40/152

Primary Examiner—Bernard Ansher

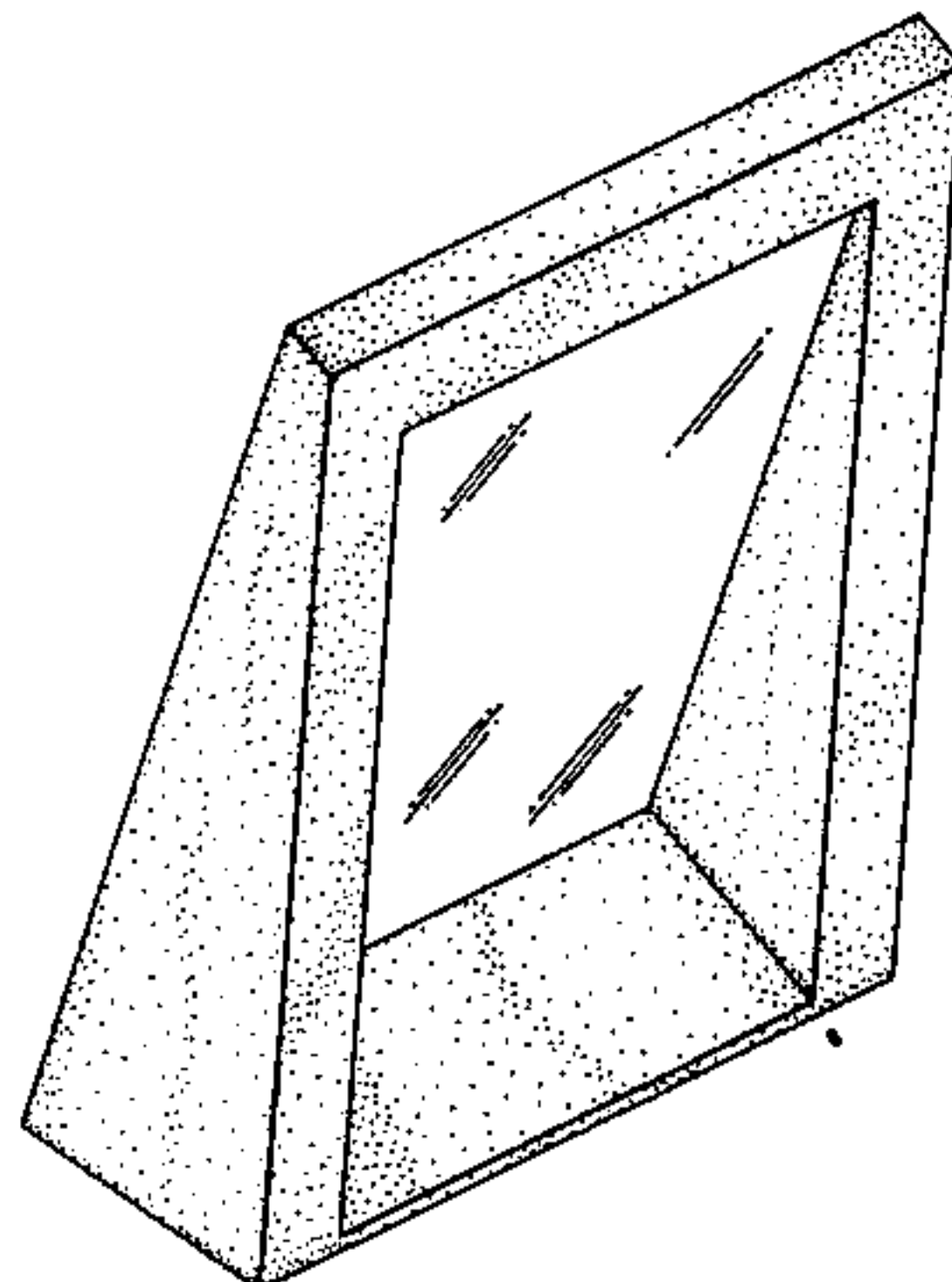
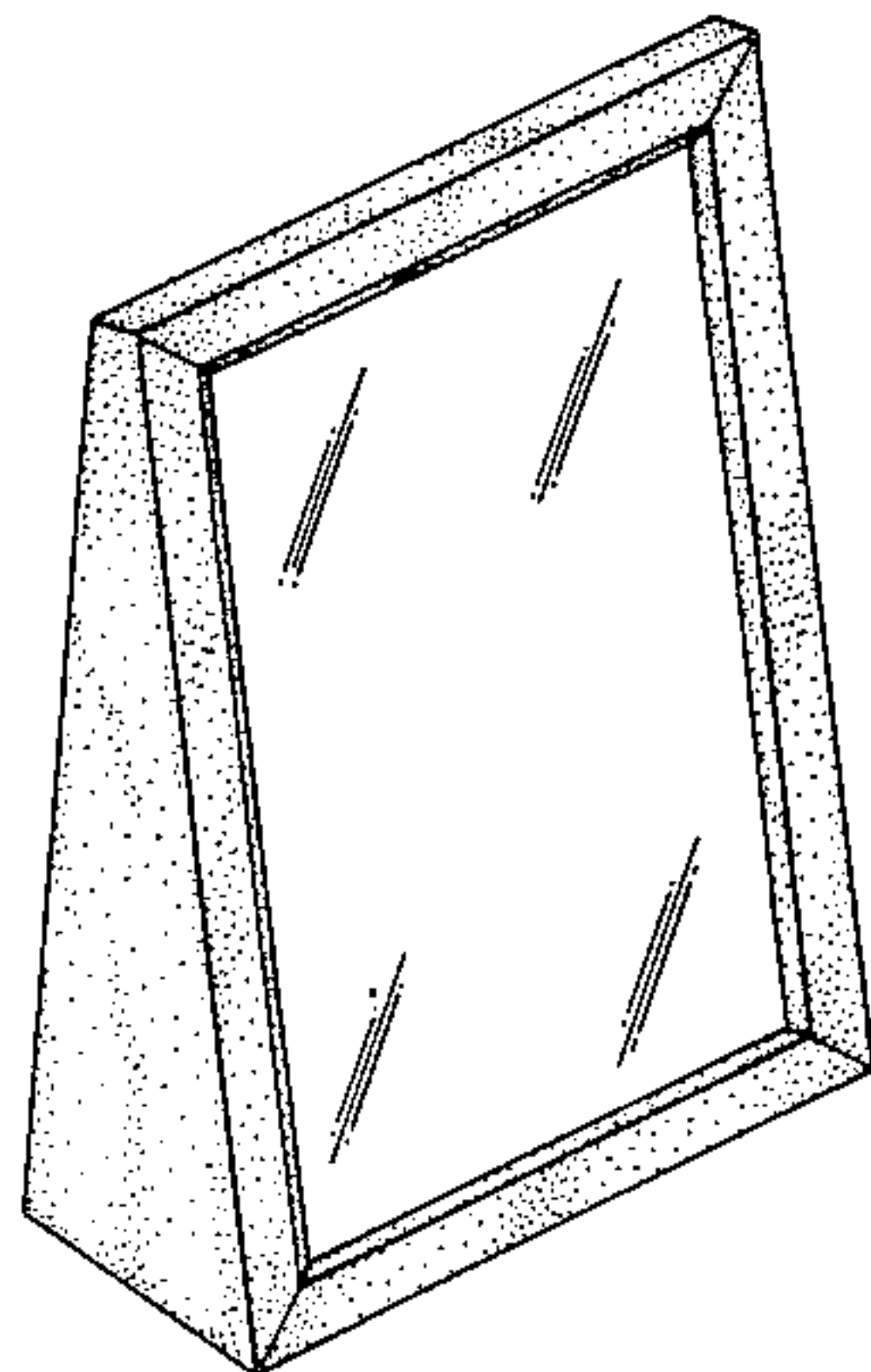
Assistant Examiner—Terry A. Pfeffer
Attorney, Agent, or Firm—Jennings, Carter, Thompson & Veal

[57] CLAIM

The ornamental design for a picture frame, as shown and described.

DESCRIPTION

FIG. 1 is a front perspective view of a picture frame showing my new design;
FIG. 2 is a rear perspective view thereof;
FIG. 3 is a front elevational view thereof;
FIG. 4 is a rear elevational view thereof;
FIG. 5 is a top plan view thereof;
FIG. 6 is a bottom view thereof; and
FIG. 7 is a left side elevational view thereof, the opposite side being a mirror image.



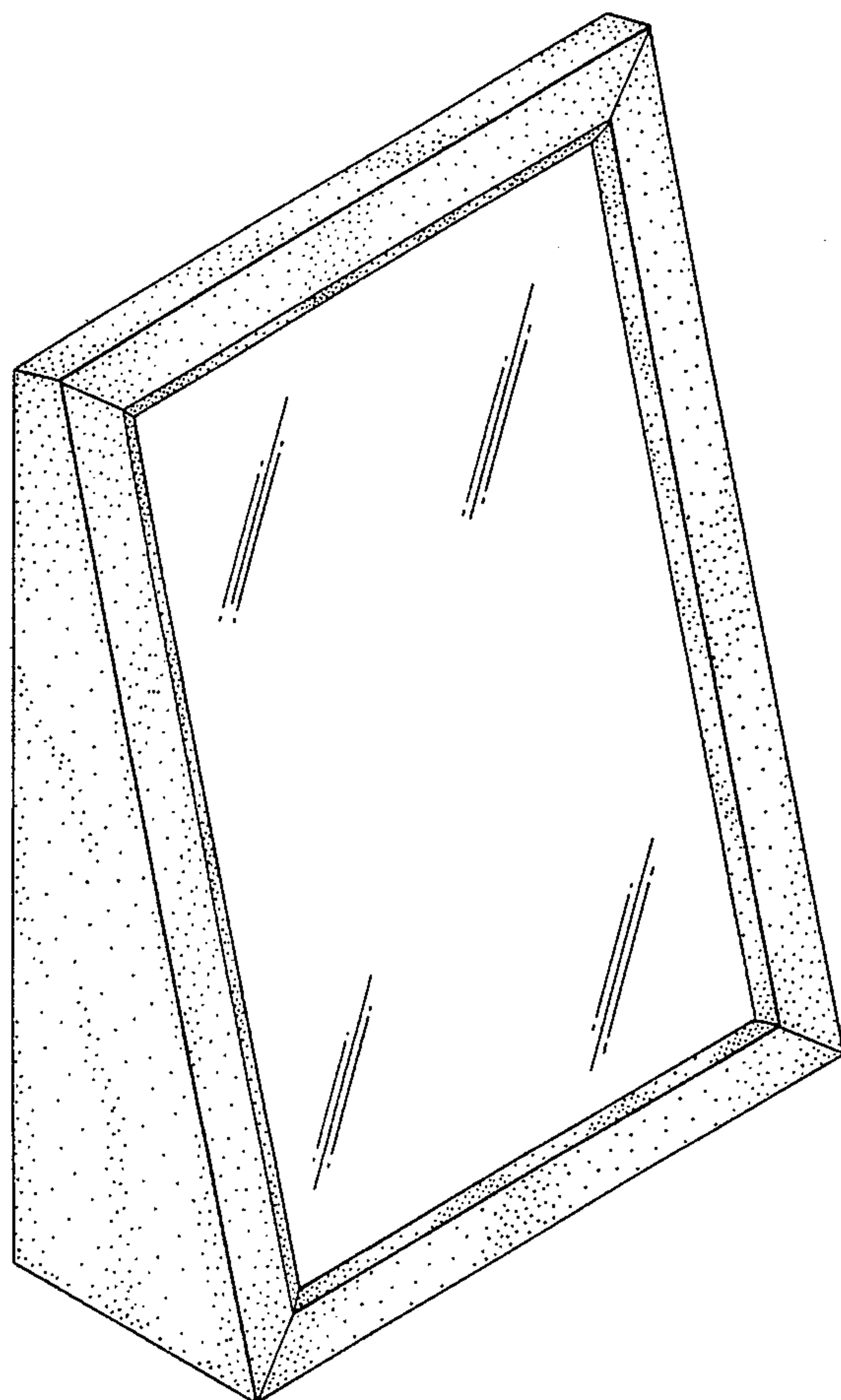


Fig. 1

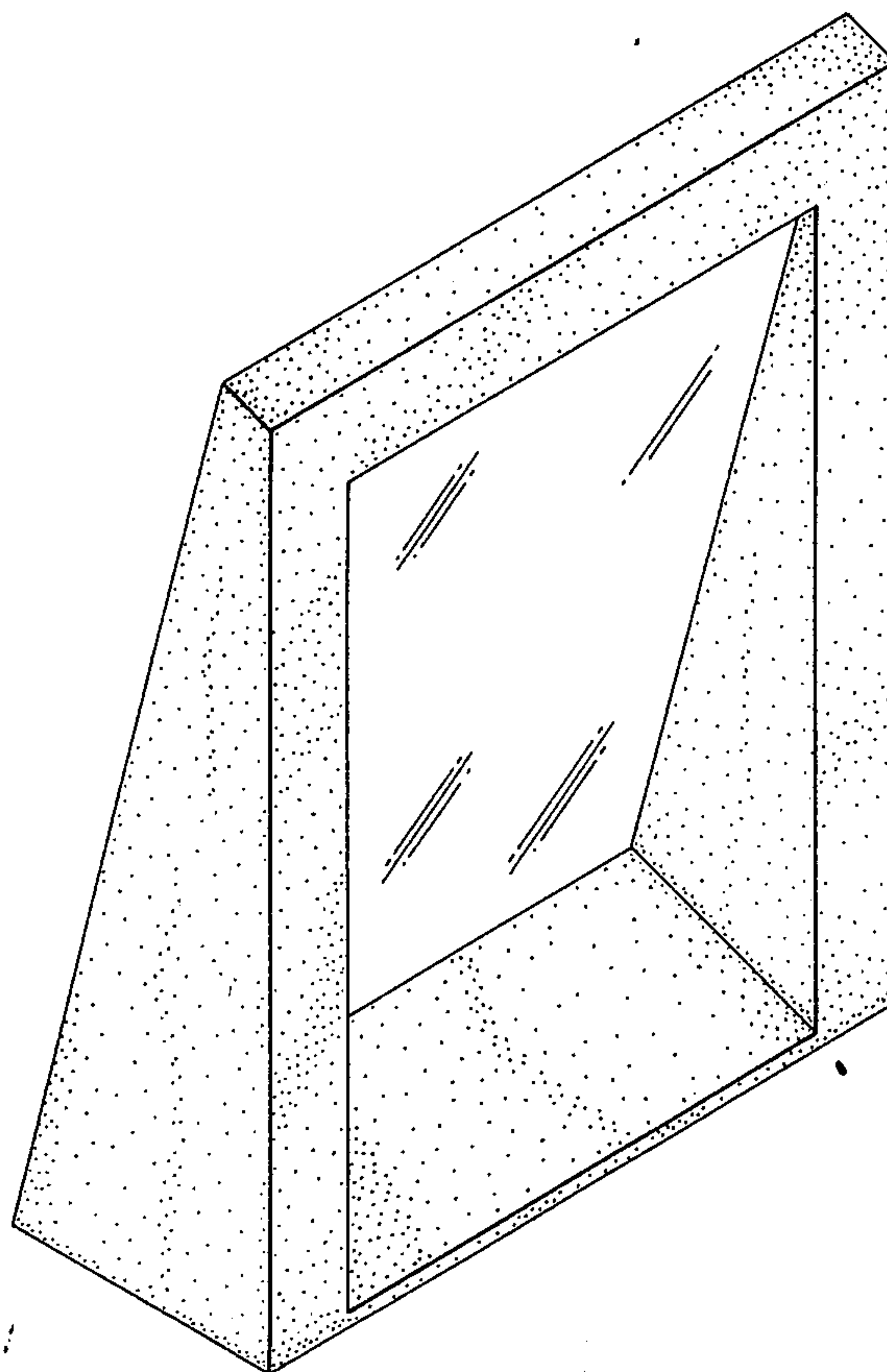


Fig. 2

Fig. 3

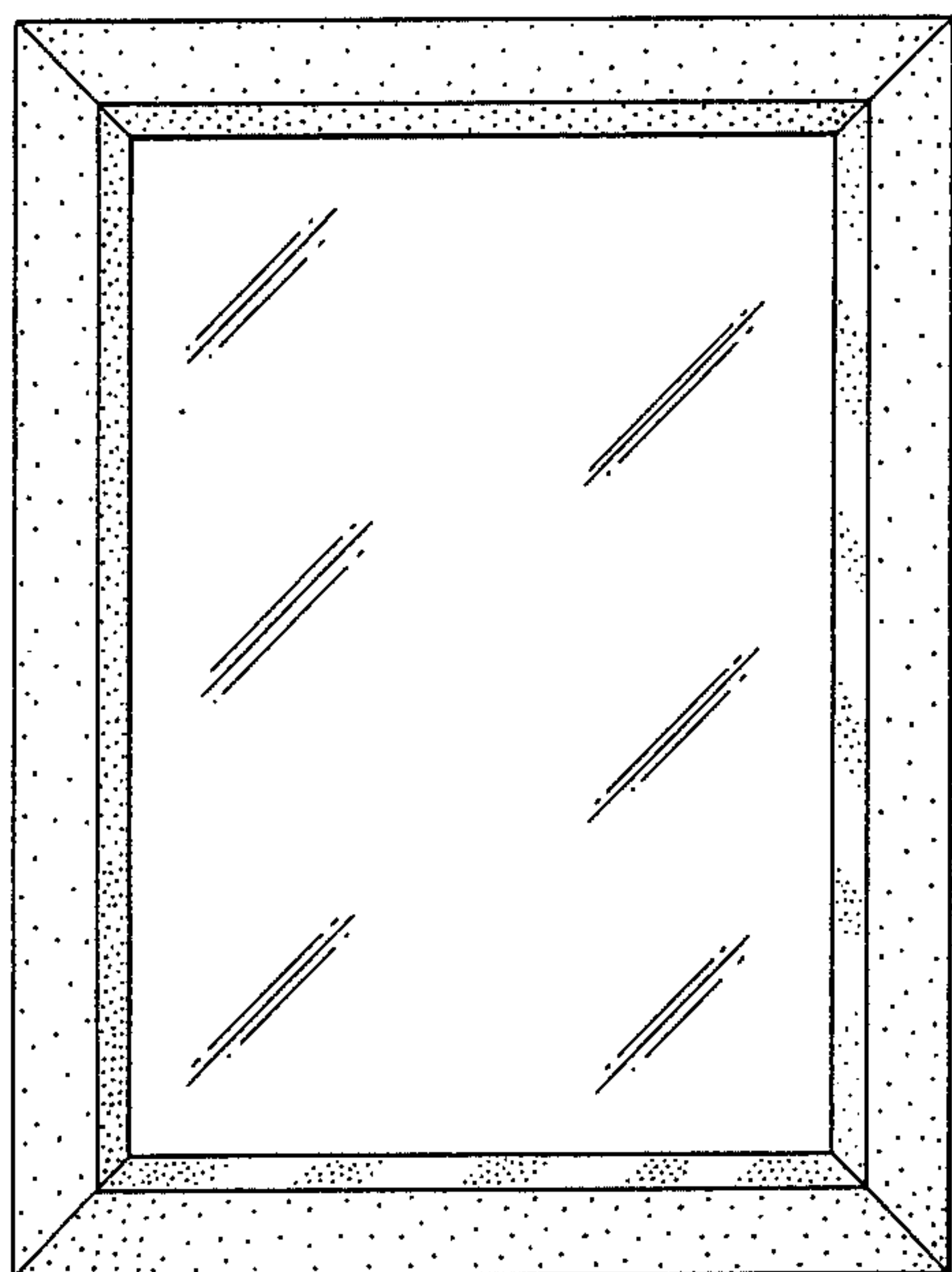


Fig. 4

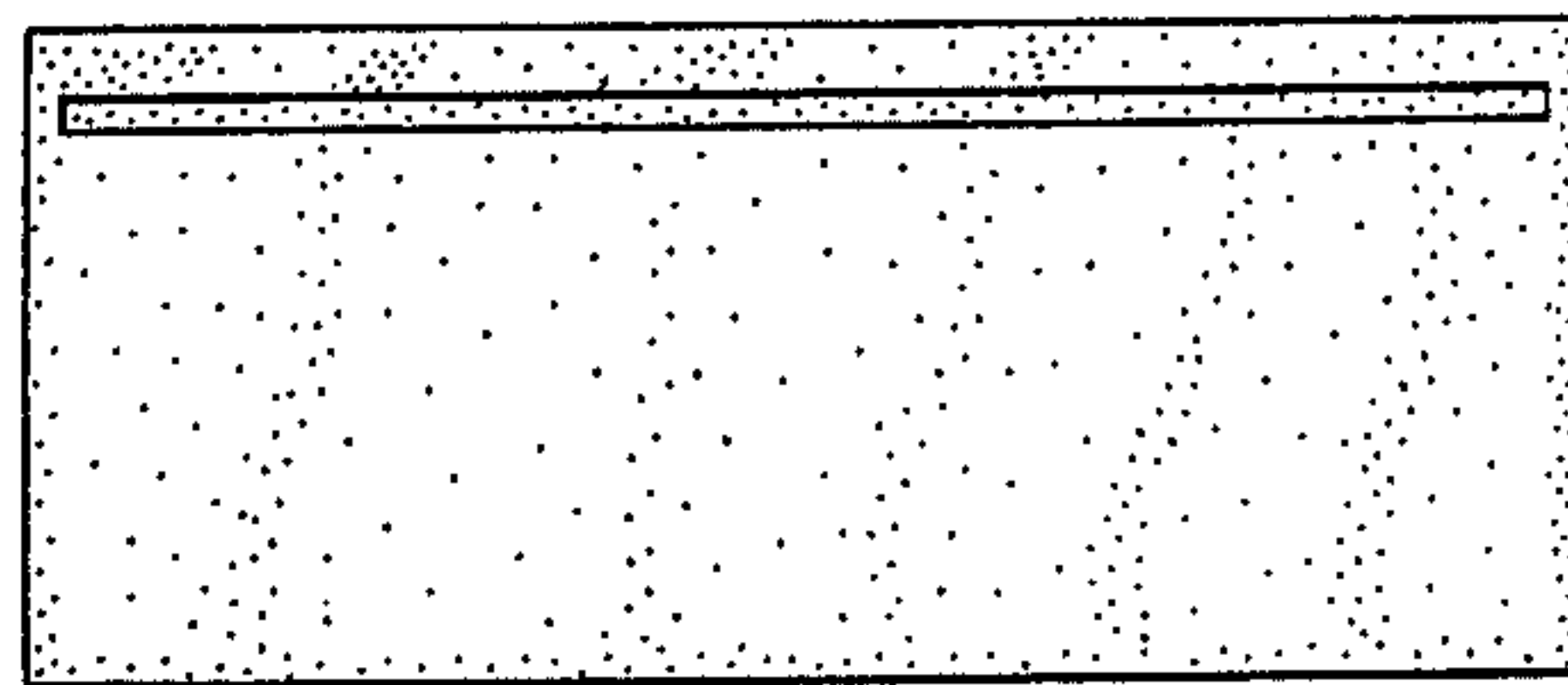
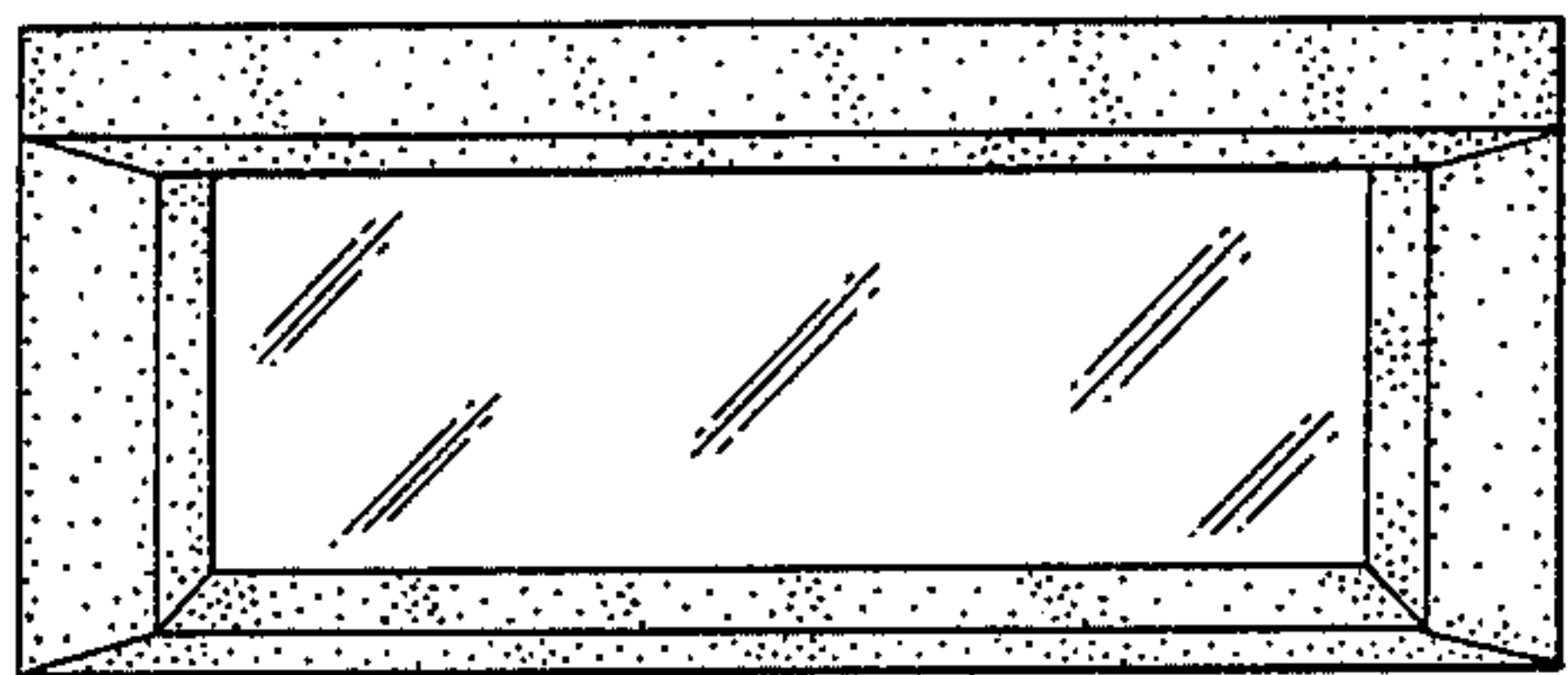
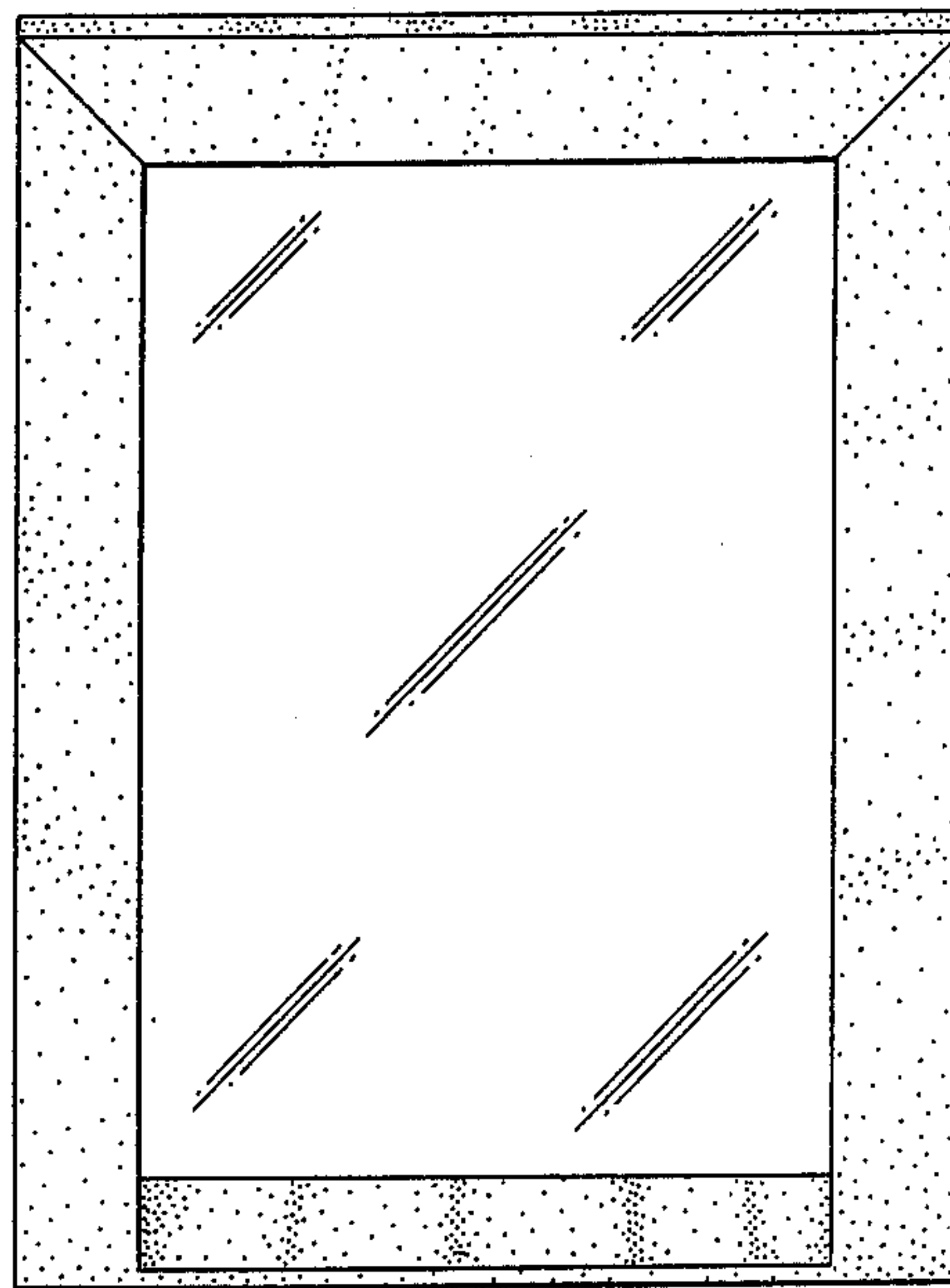


Fig. 5

Fig. 6

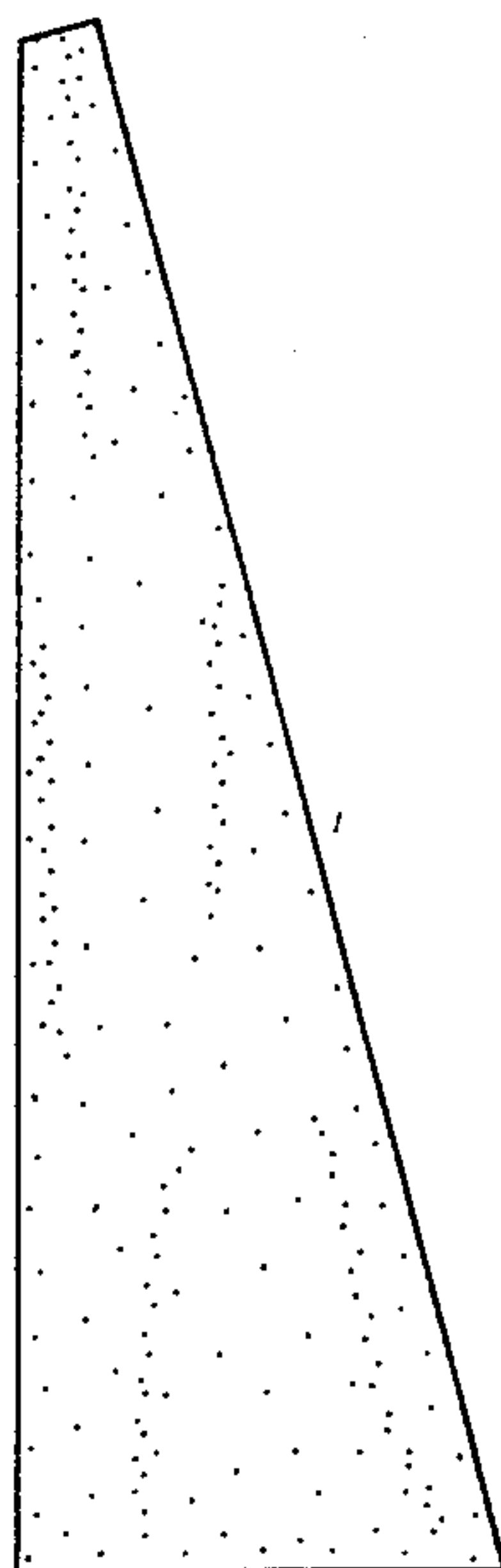


Fig. 7