

- [54] BRUSH HANDLE
- [75] Inventor: Jolyon Saunders, Auckland, New Zealand
- [73] Assignee: Libman Broom Company, Arcola, Ill.
- [**] Term: 14 Years
- [21] Appl. No.: 64,448
- [22] Filed: Jun. 22, 1987
- [52] U.S. Cl. D4/138
- [58] Field of Search D4/127, 130-138, D4/199, 116-119; 15/106, 143 R, 143 B, 144 R, 145-146, 159 R, 172, 176.6, 194-195, 201-202

[56] References Cited

U.S. PATENT DOCUMENTS

D. 88,356	11/1932	Johnson	D4/130
D. 115,967	8/1939	Muller-Munk	D4/130
D. 150,913	9/1948	Wagner	D4/119
D. 179,991	4/1957	Waiting	D4/116
D. 209,130	11/1967	Brookes	D4/130
D. 274,389	6/1984	Colemore-Williams	D4/134
2,546,291	3/1951	Baumgartner	D4/130

Primary Examiner—Wallace R. Burke
 Assistant Examiner—Lavone D. Tabor
 Attorney, Agent, or Firm—Marshall, O’Toole, Gerstein, Murray & Bicknell

[57] CLAIM

The ornamental design for a brush handle, as shown and described.

DESCRIPTION

FIG. 1 is a side elevational view of a brush handle showing my new design;
 FIG. 2 is a top plan view thereof;
 FIG. 3 is a bottom plan view thereof;
 FIG. 4 is a front elevational view thereof;
 FIG. 5 is a rear elevational view thereof; and
 FIG. 6 is an enlarged top perspective view thereof.
 The broken line showing of bristles is for illustrative purposes only and forms no part of the claimed design. The holes for securing the bristles are partially shown in FIG. 3 for ease of illustration and are understood to continue uniformly throughout the bottom of the brush handle.

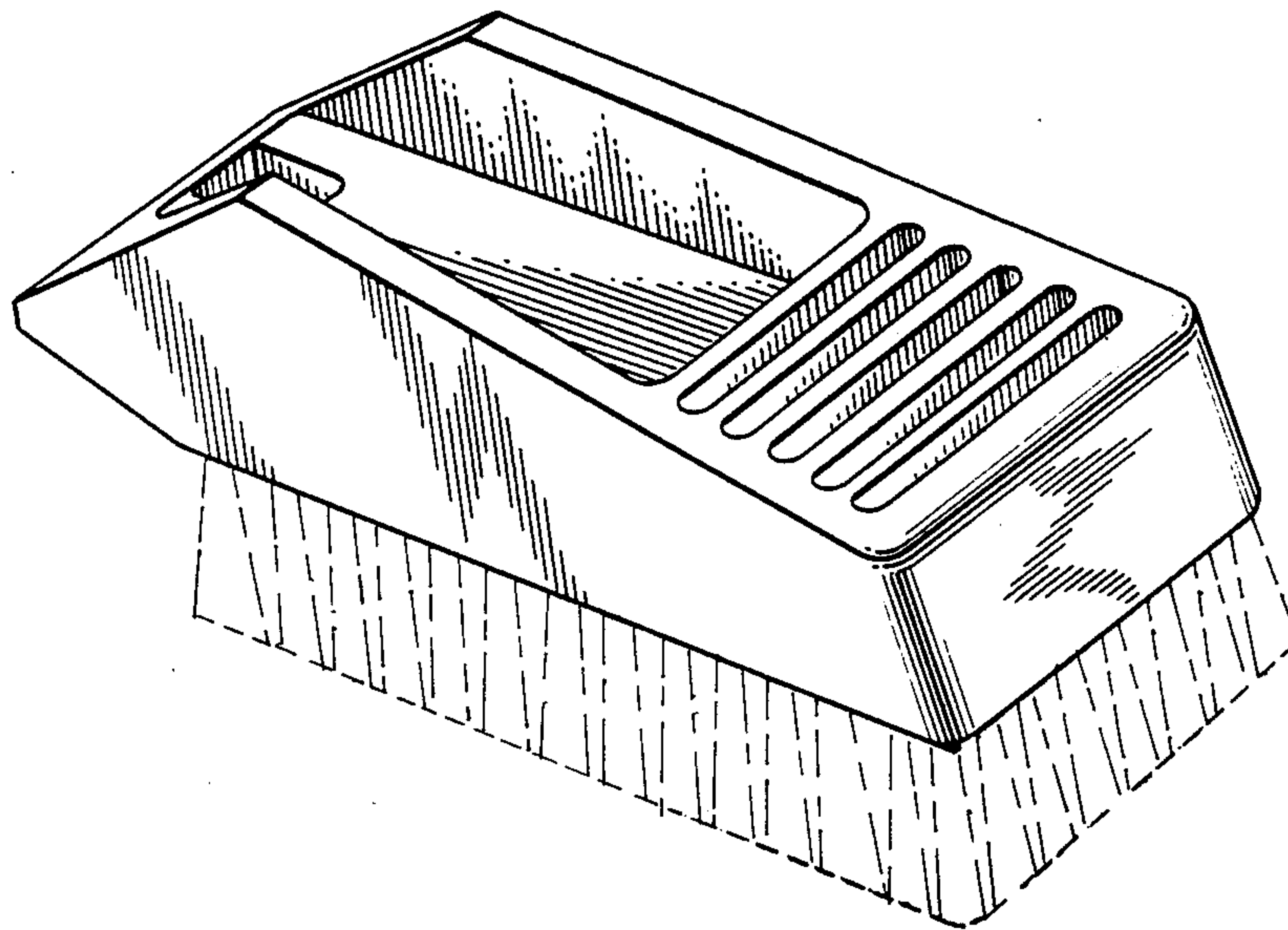


FIG. 1

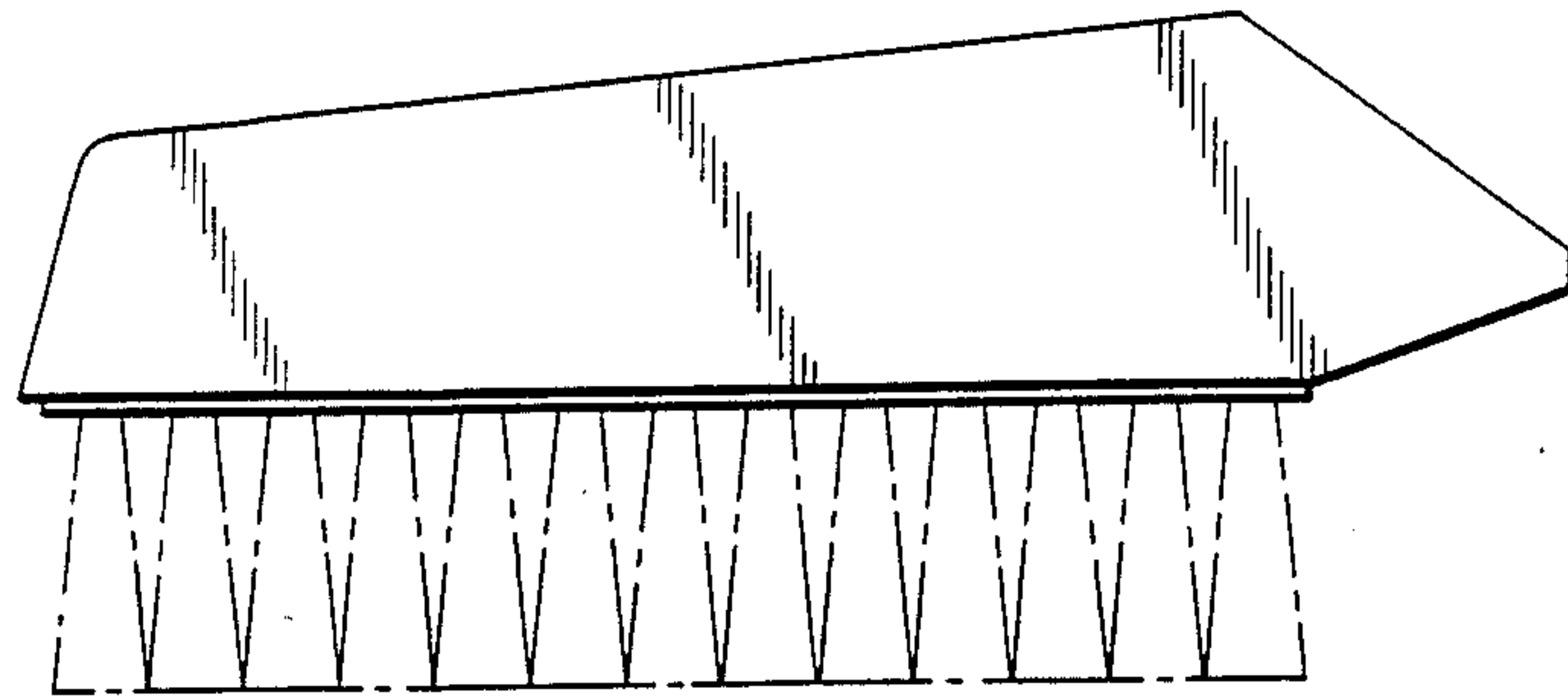


FIG. 2

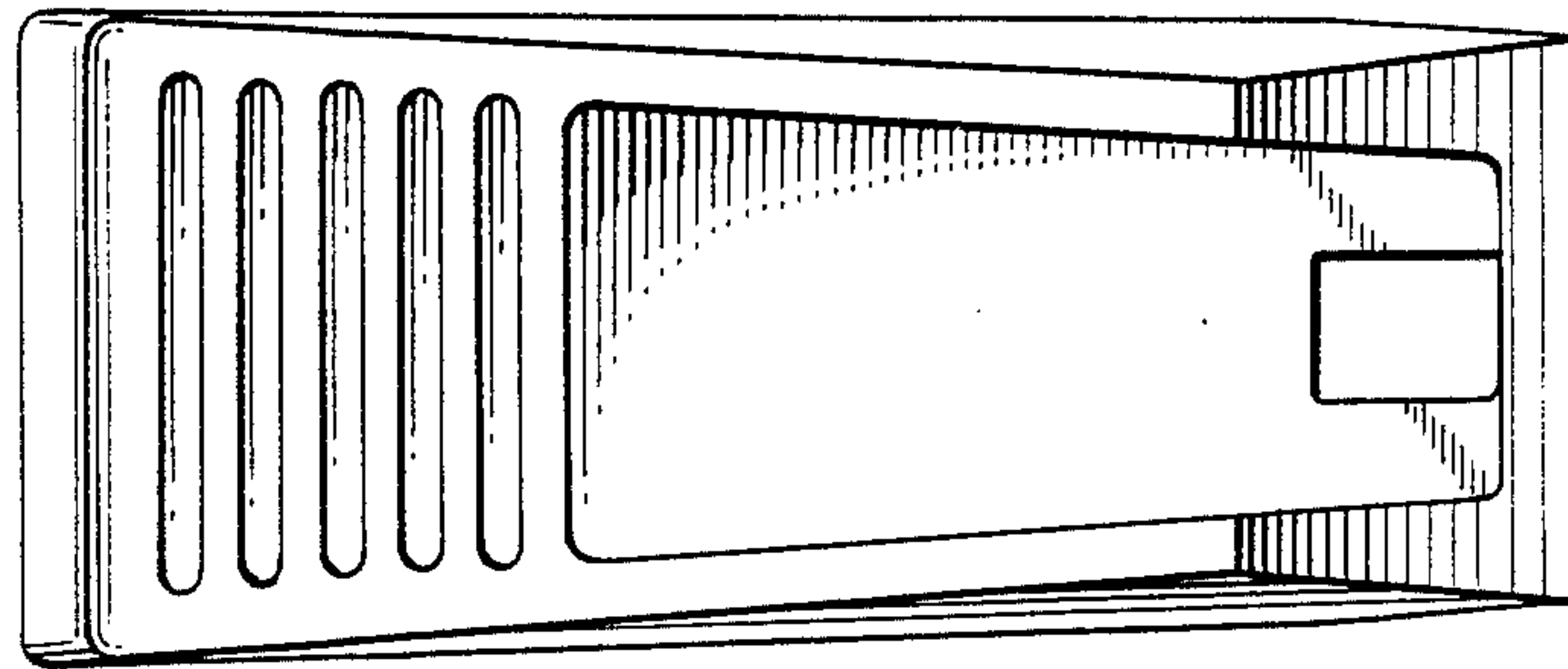


FIG. 3

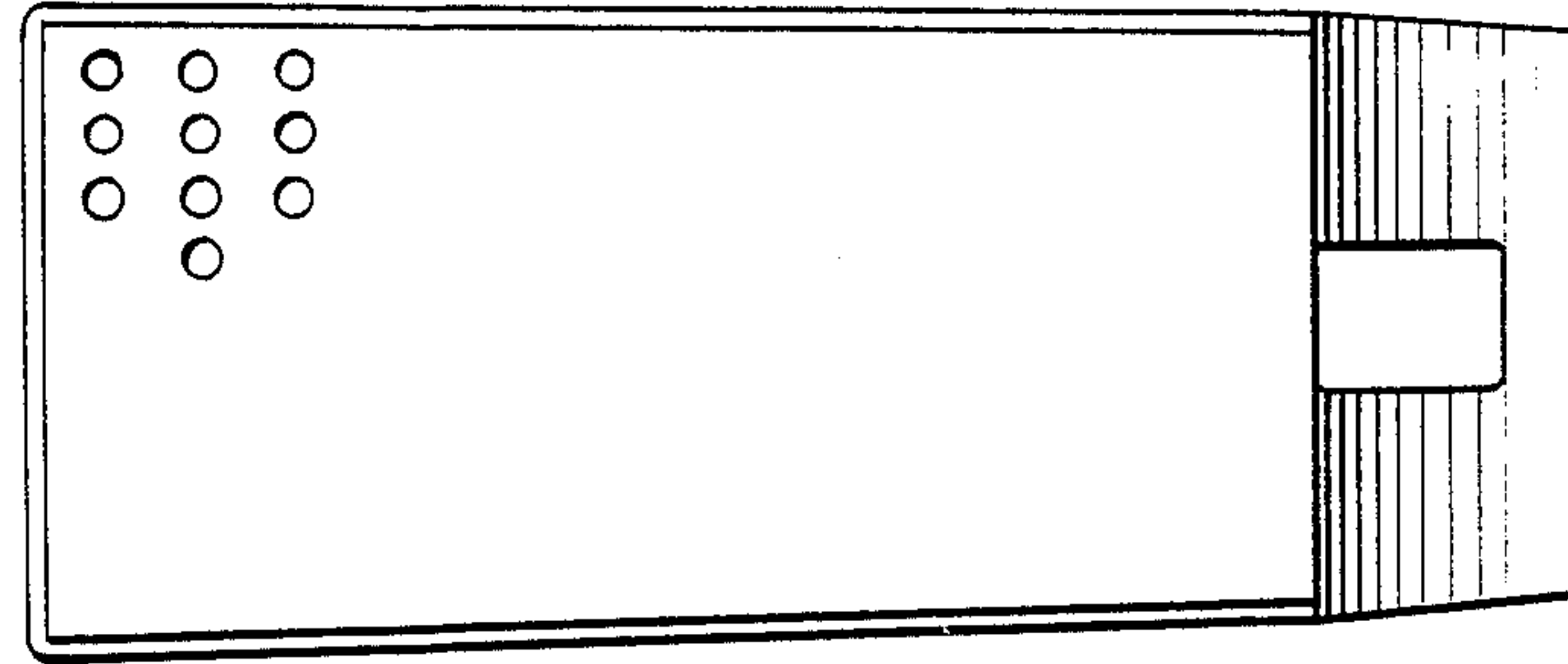


FIG. 4

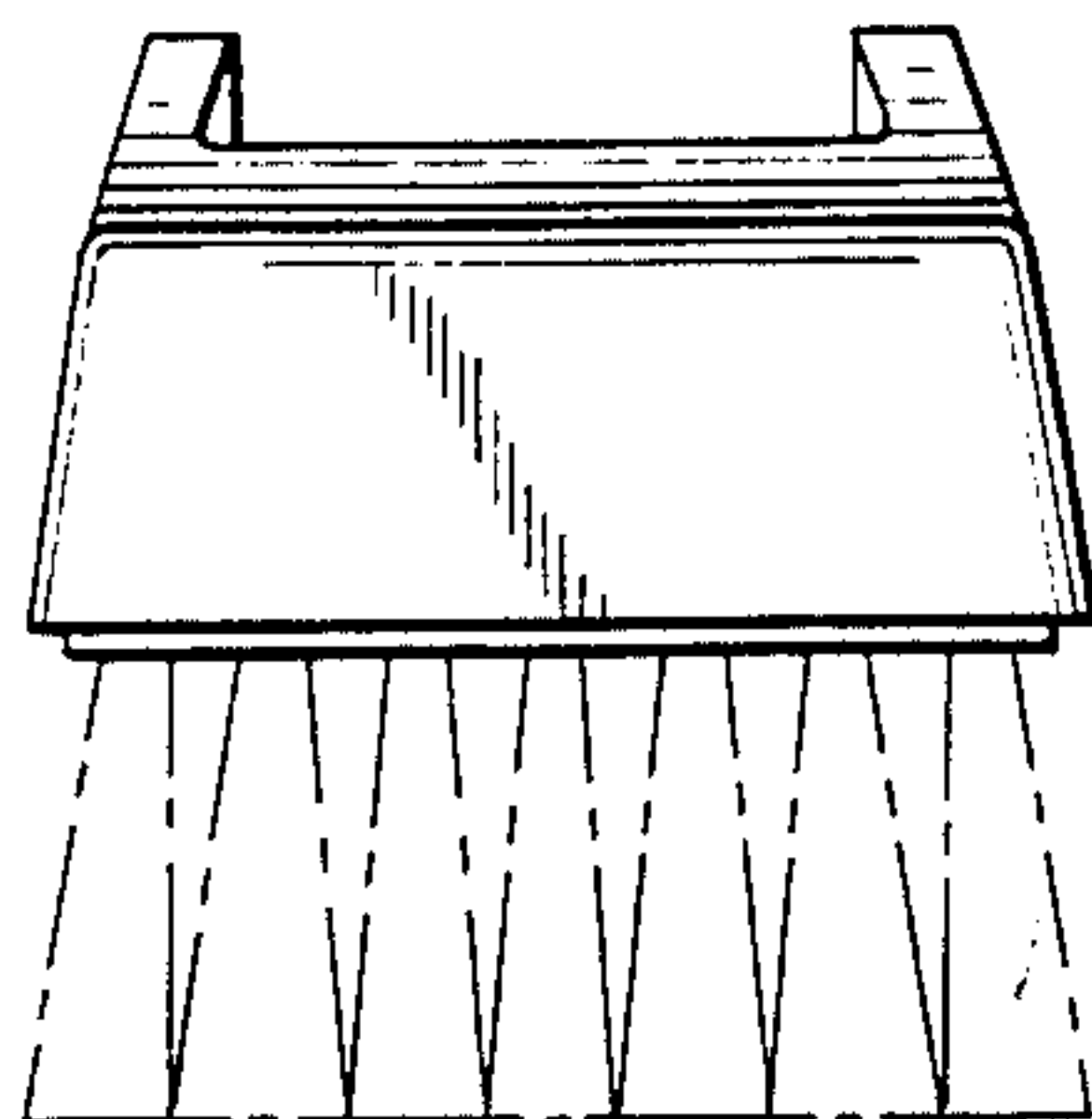


FIG. 5

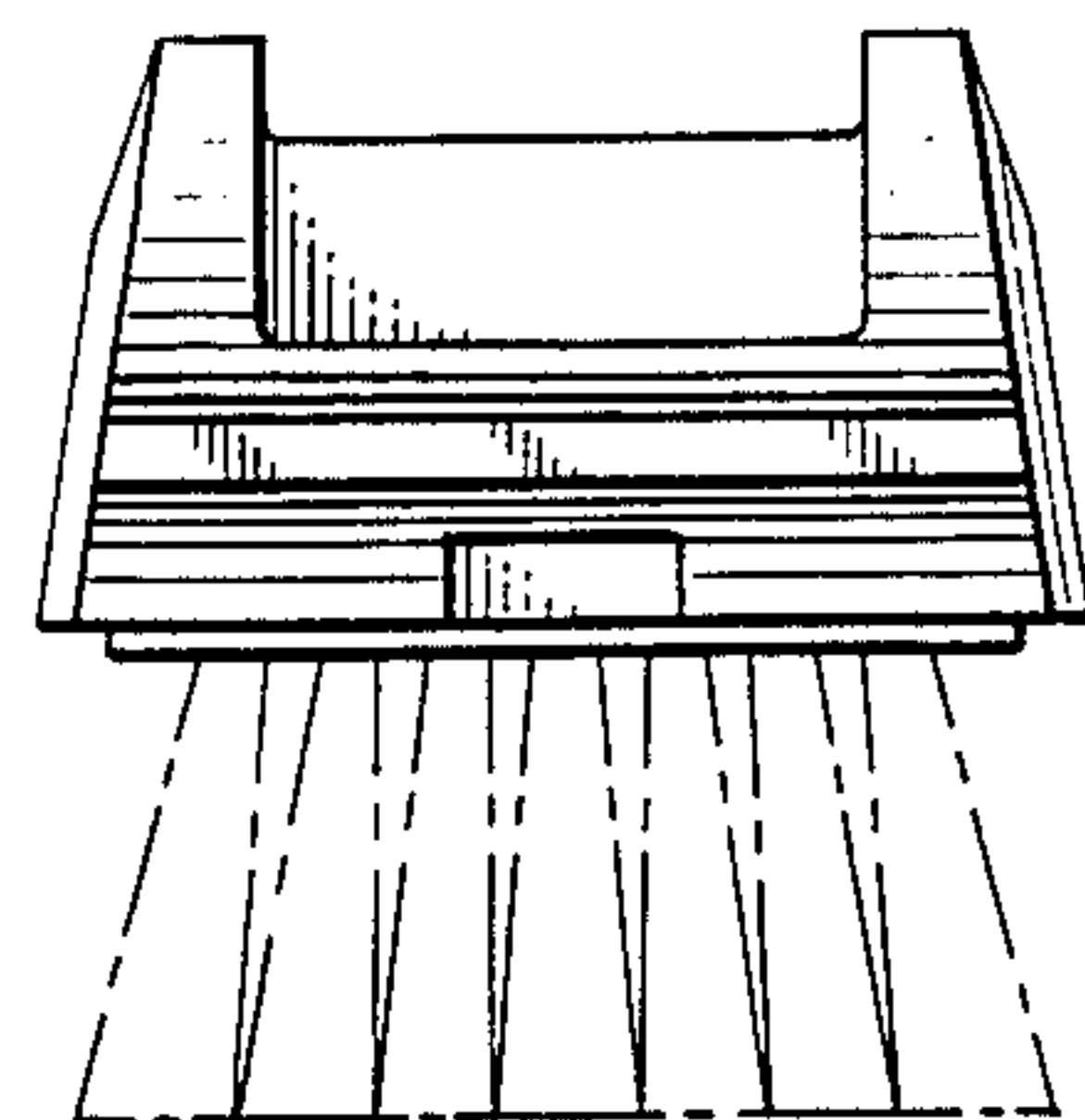


FIG. 6

