

[54] MULTIPLE SIZE AUTOMOBILE CUP HOLDER

Primary Examiner—Louis S. Zarfes
Attorney, Agent, or Firm—George W. T. Loo

[76] Inventor: Chieko K. Inouye, 4785 Analii St.,
Honolulu, Hi. 96821

[57] CLAIM

The ornamental design for a multiple size automobile cup holder or similar article as shown and described.

[**] Term: 14 Years

DESCRIPTION

[21] Appl. No.: 7,389

FIG. 1 is a perspective view of the multiple size automobile cup holder showing my new design.

[22] Filed: Jan. 27, 1987

FIG. 2 is a front elevational view thereof in the closed position.

[52] U.S. Cl. D7/620; D3/40

[58] Field of Search D3/40; D7/70, 37, 38;

D12/155; 224/42.11, 42.42, 273, 275, 329;

108/44, 46

FIG. 3 is a front elevational view thereof with the base in the open position and all three rings folded down.

FIG. 4 is a side elevational view thereof showing the base and all three rings in the open position; the side opposite being a mirror image thereof.

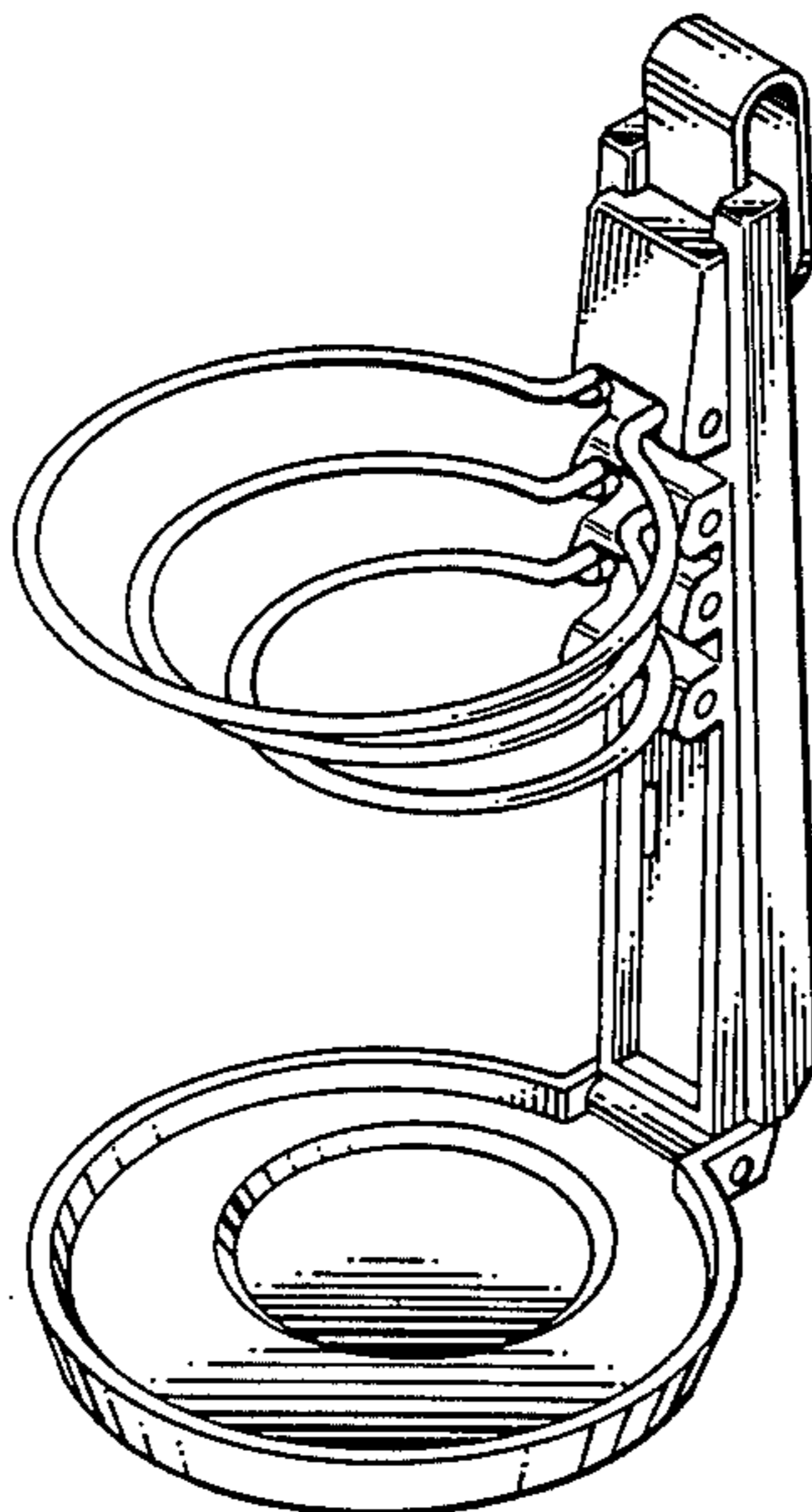
[56] References Cited

U.S. PATENT DOCUMENTS

D. 162,959	4/1951	Janes et al.	D7/70
D. 182,590	4/1958	Hendy	D7/70
D. 279,836	7/1985	Tanaka	D3/40
D. 303,057	8/1989	Smith	D7/70

FIG. 5 is a rear elevational view thereof in the closed position.

FIG. 6 is a rear elevational view thereof with the base and the large ring in open position and the small and medium rings folded down.



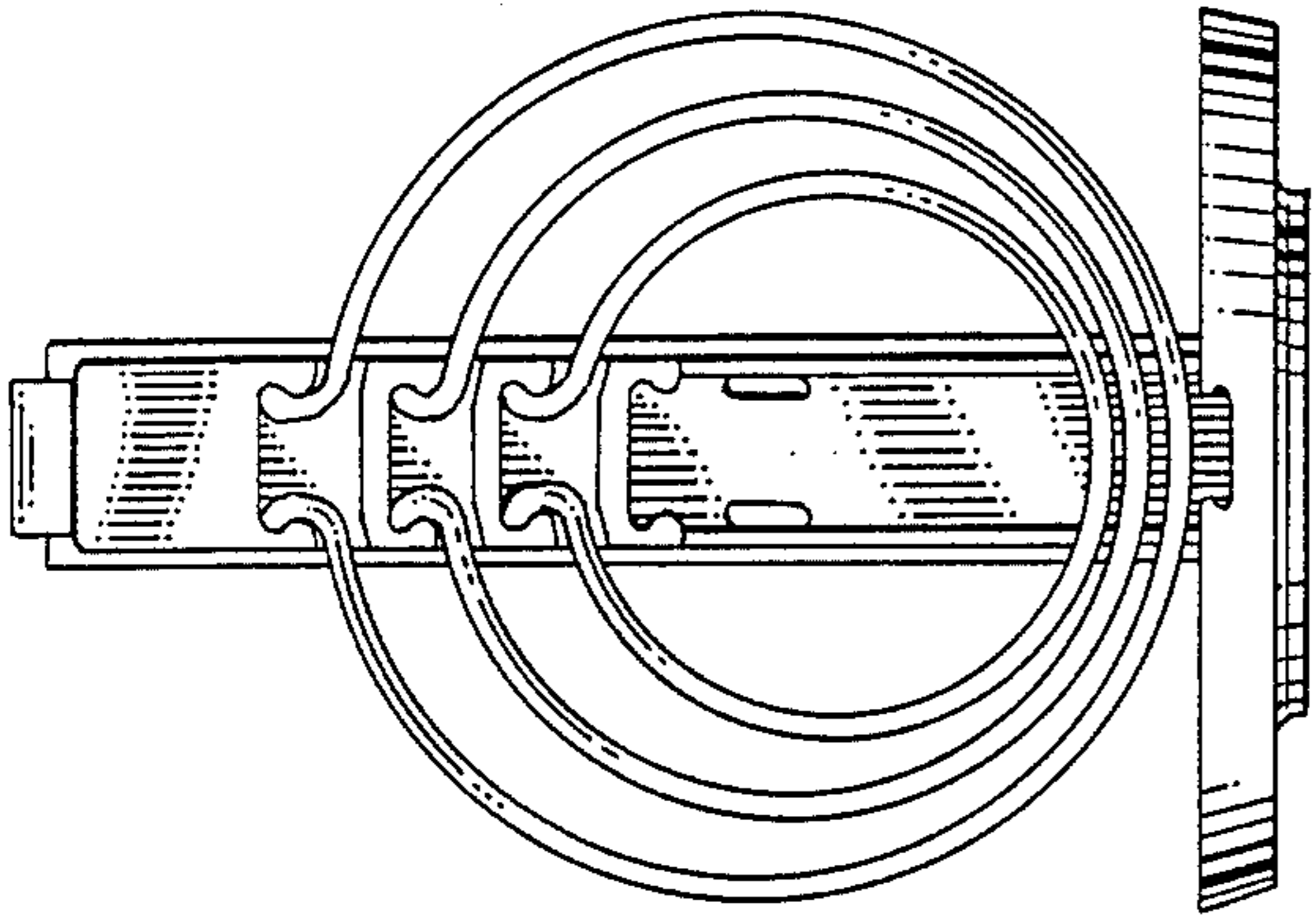


FIG. 3

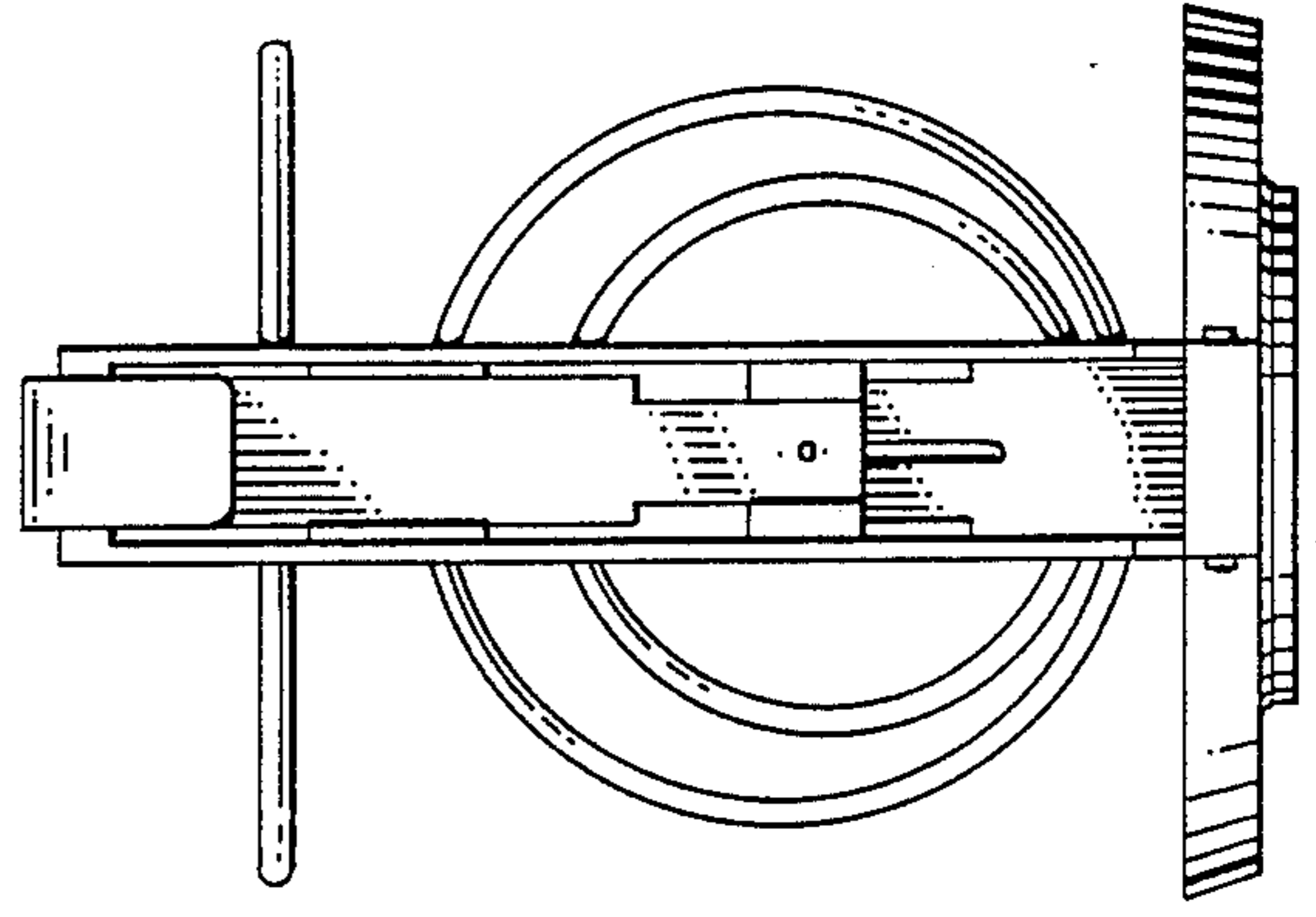


FIG. 6

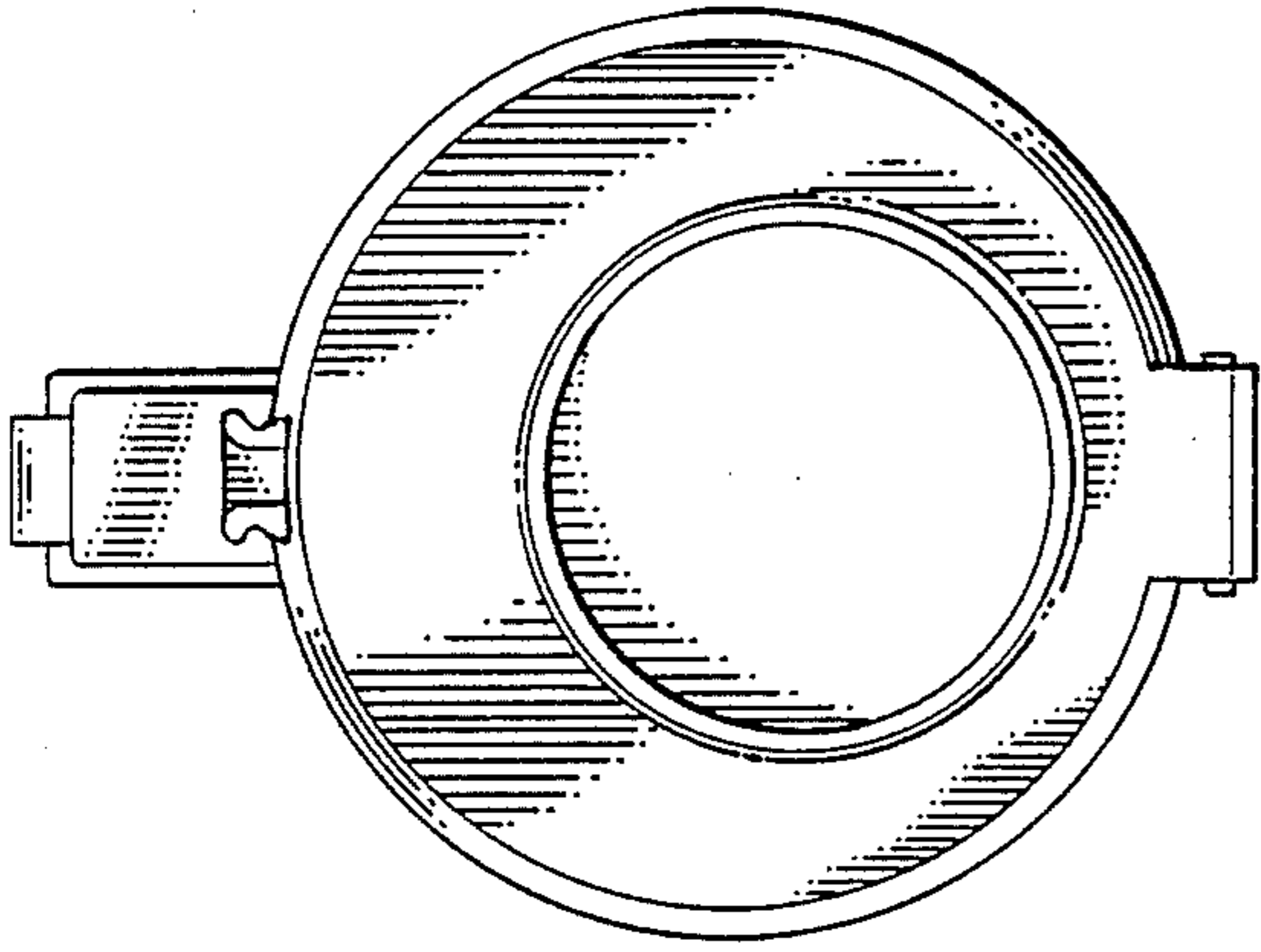


FIG. 2

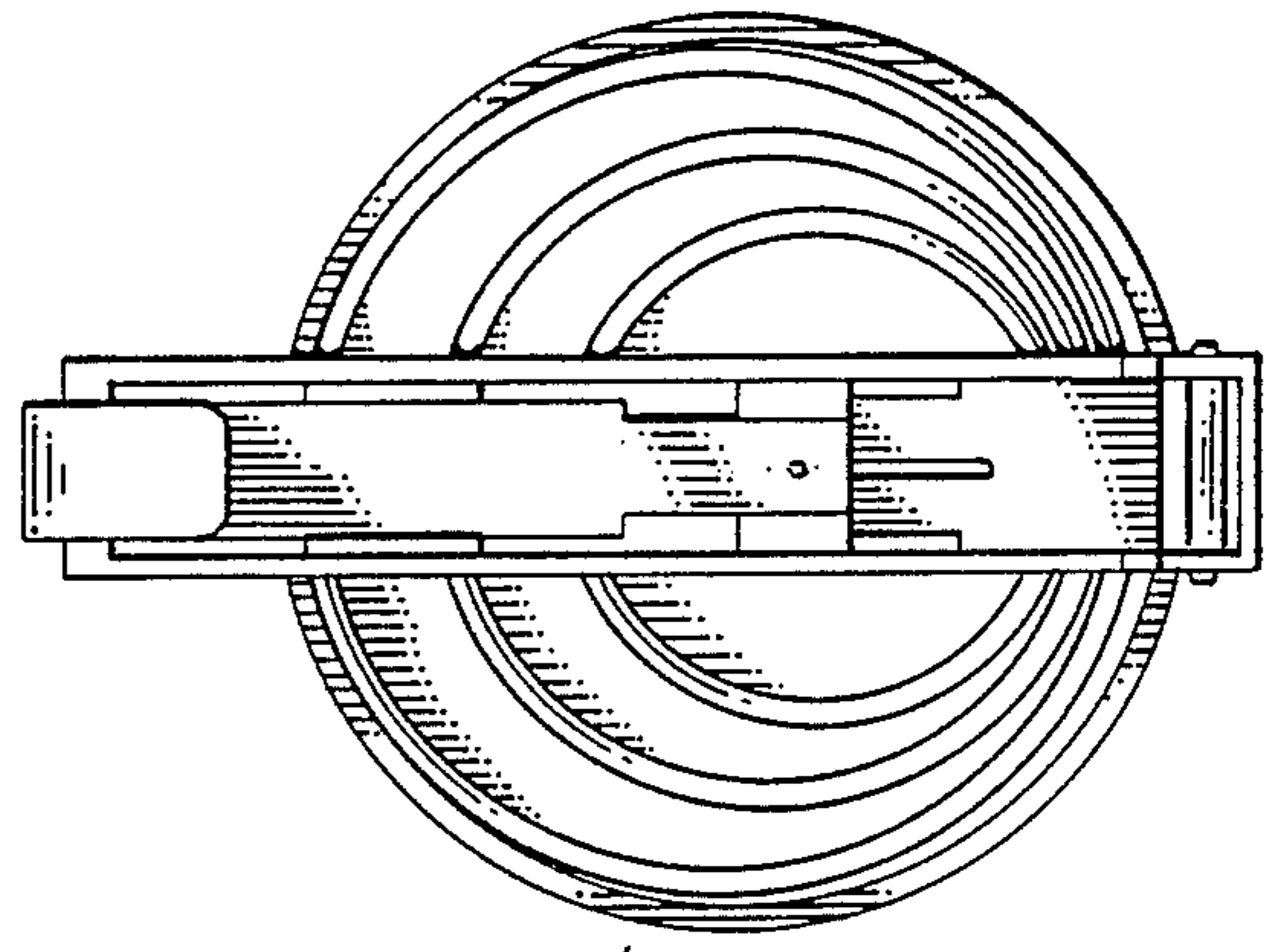


FIG. 5

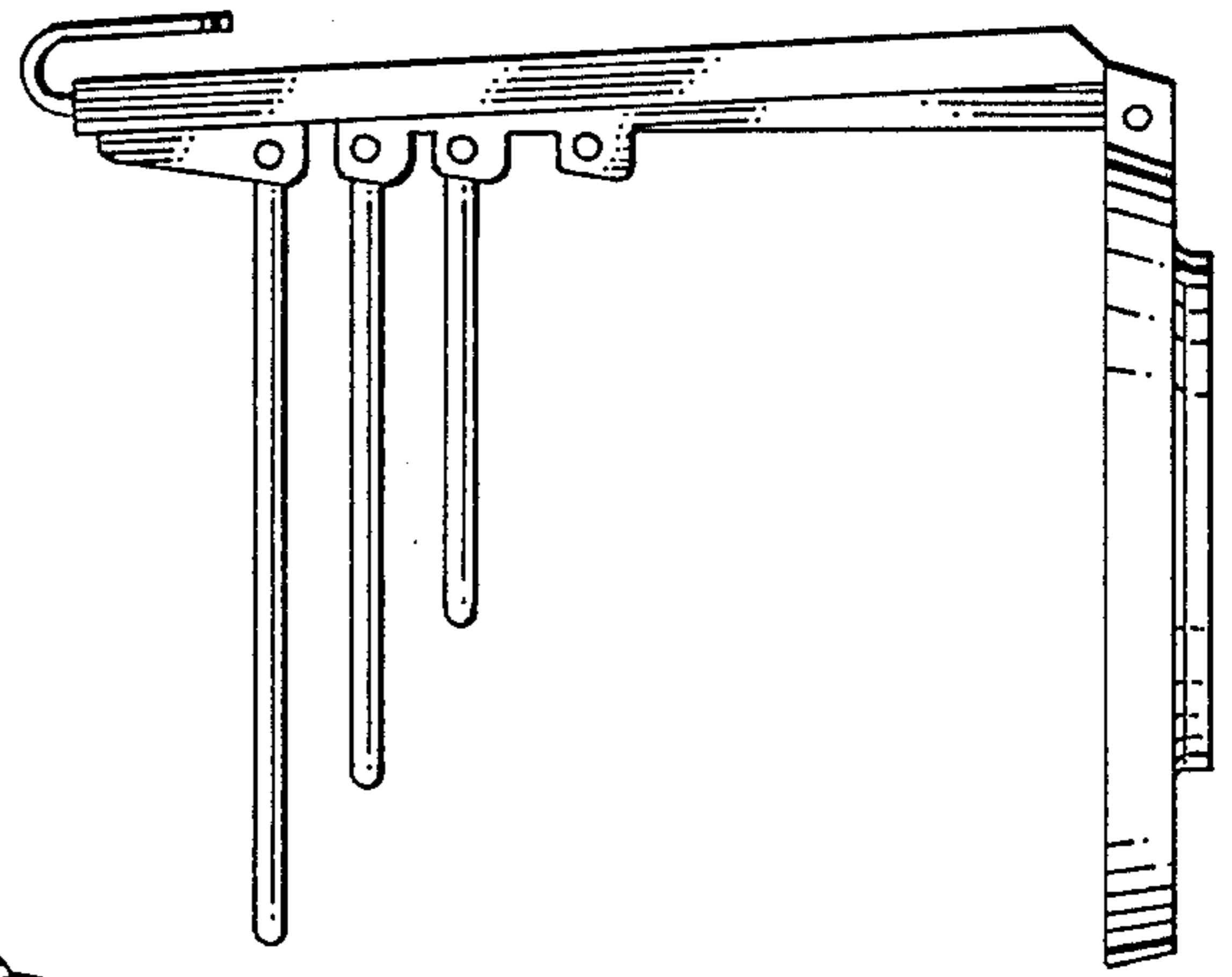


FIG. 4

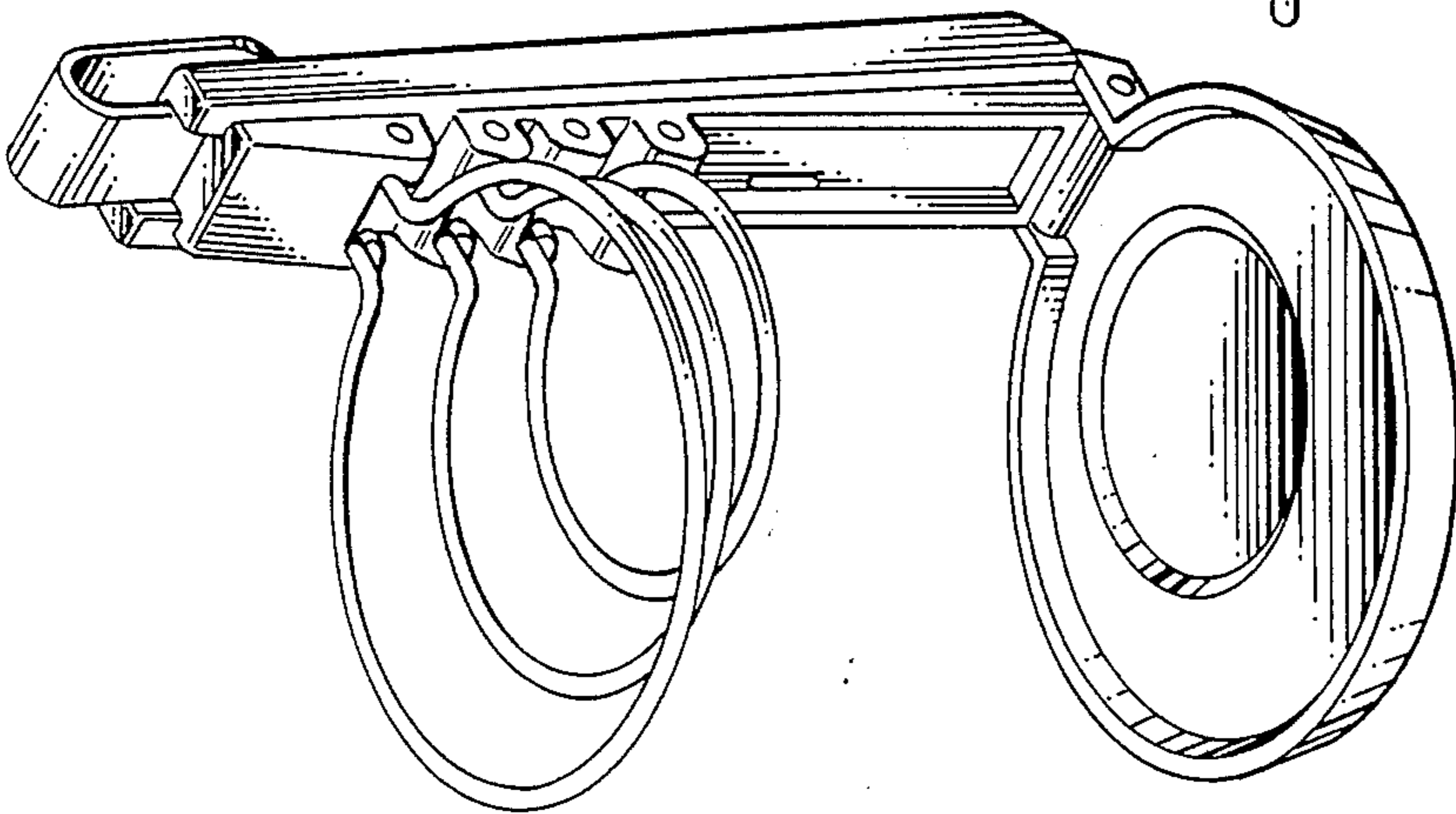


FIG. 1