

[54] COMBINED CANE AND TOILET PAPER HOLDER

2,642,074 6/1953 Pedley et al. 135/65
4,721,125 1/1988 Wang-Lec 135/65 X

[76] Inventor: Patrick M. Fisher, 2909 Clear Way,
Orlando, Fla. 32805

Primary Examiner—Louis S. Zarfes
Attorney, Agent, or Firm—Duckworth, Allen, Dyer &
Doppelt

[**] Term: 14 Years

[57] CLAIM

[21] Appl. No.: 1,549

The ornamental design for a combined cane and toilet paper holder, as shown and described.

[22] Filed: Jul. 8, 1987

[52] U.S. Cl. D3/9; D3/13

DESCRIPTION

[58] Field of Search D3/5-17;
135/16, 33 R, 33 C, 65-67, 72, 74, 76-81, DIG.
11

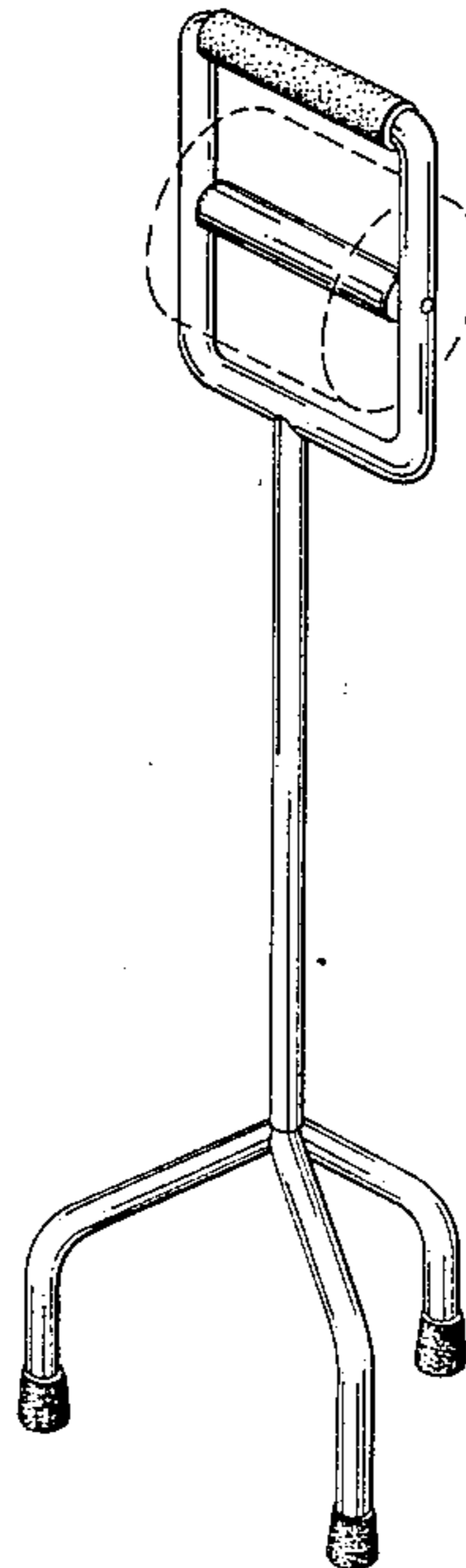
FIG. 1 is a perspective view of a combined cane and toilet paper holder showing my new design;
FIG. 2 is a right side elevational view;
FIG. 3 is a rear elevational view;
FIG. 4 is a top plan view; and
FIG. 5 is a bottom plan view.

[56] References Cited

U.S. PATENT DOCUMENTS

D. 187,450 3/1960 Maxwell D3/9
D. 230,531 2/1974 Thomas D3/9

The broken line showing of a toilet paper roll in FIGS. 1 and 2 is for illustrative purposes only and forms no part of the claimed design.



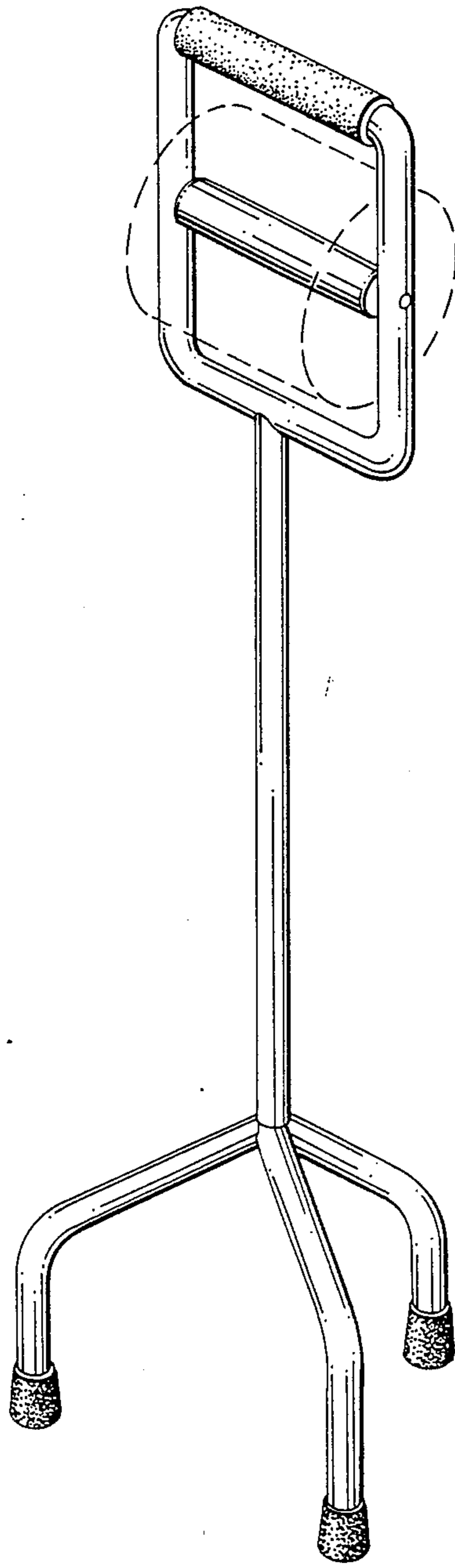


FIG. 1

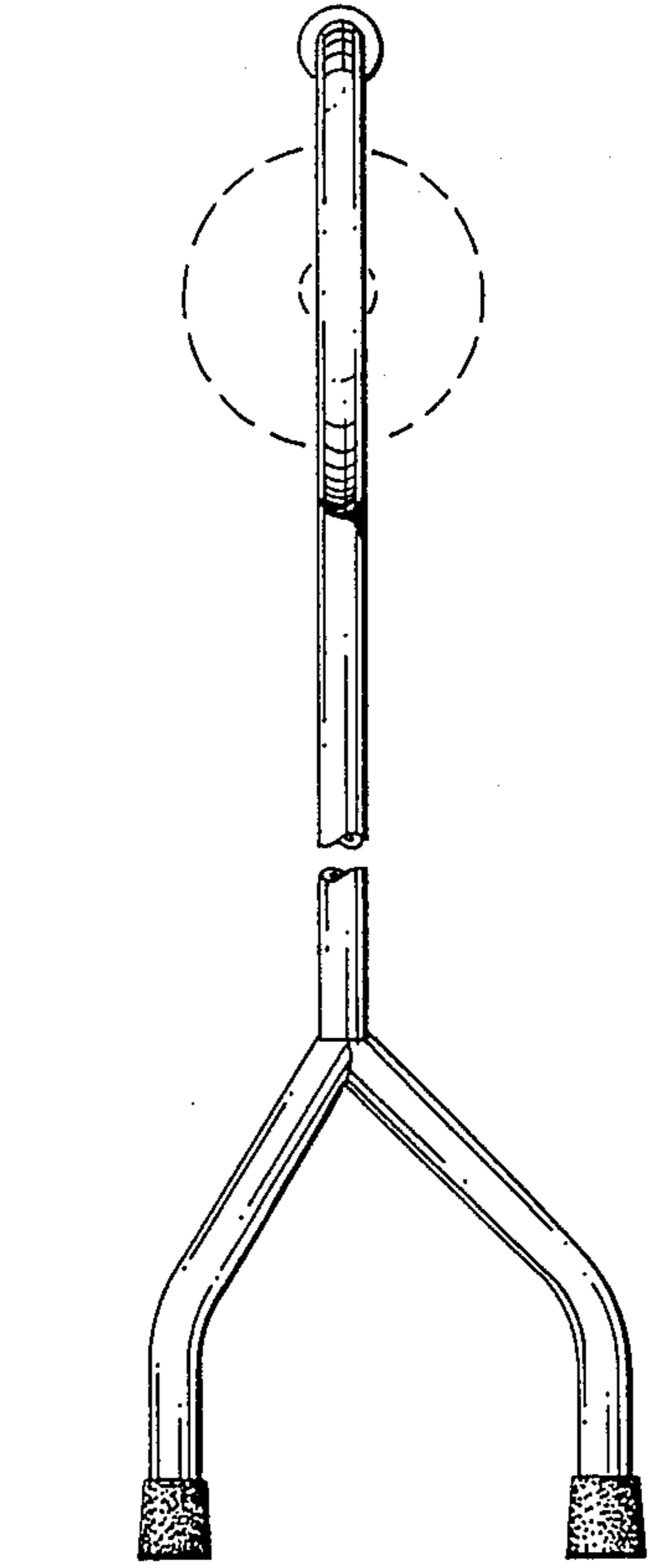


FIG. 2

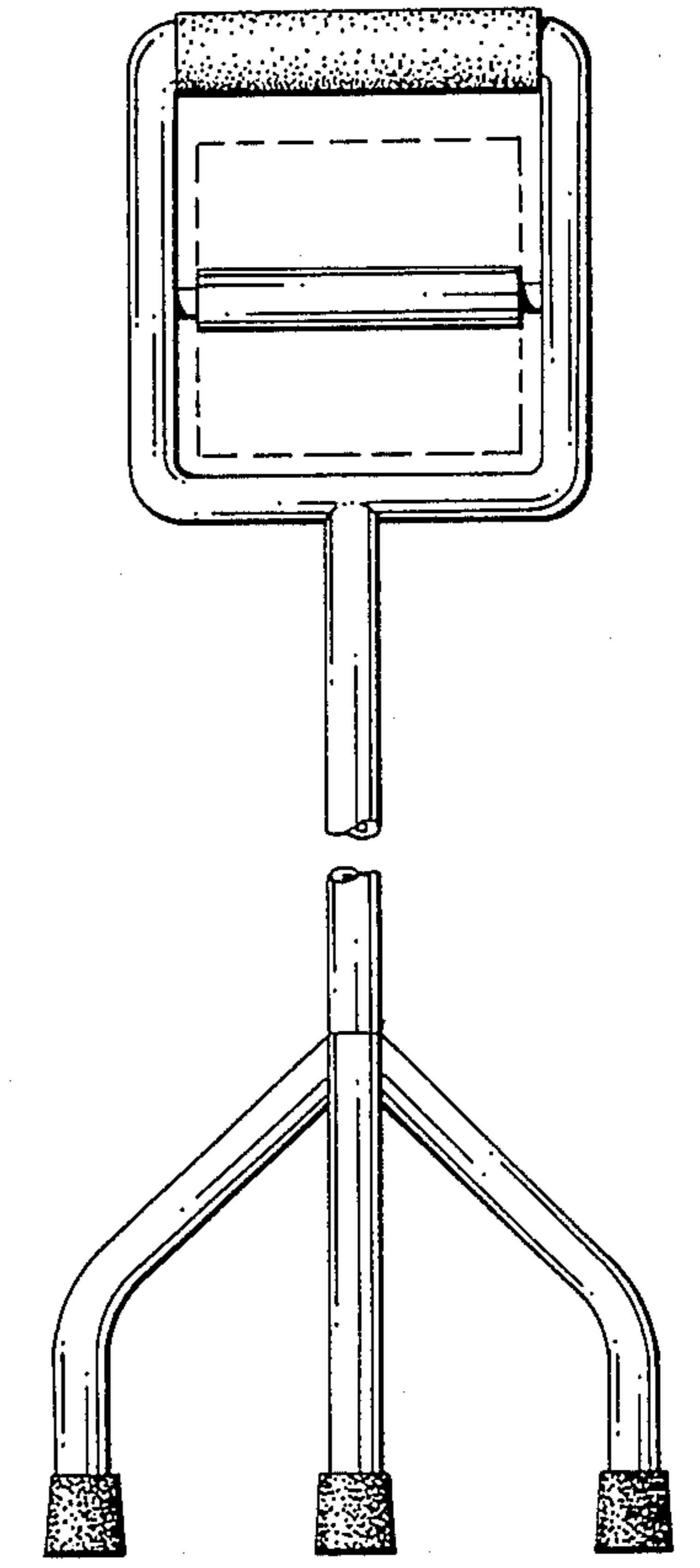


FIG. 3

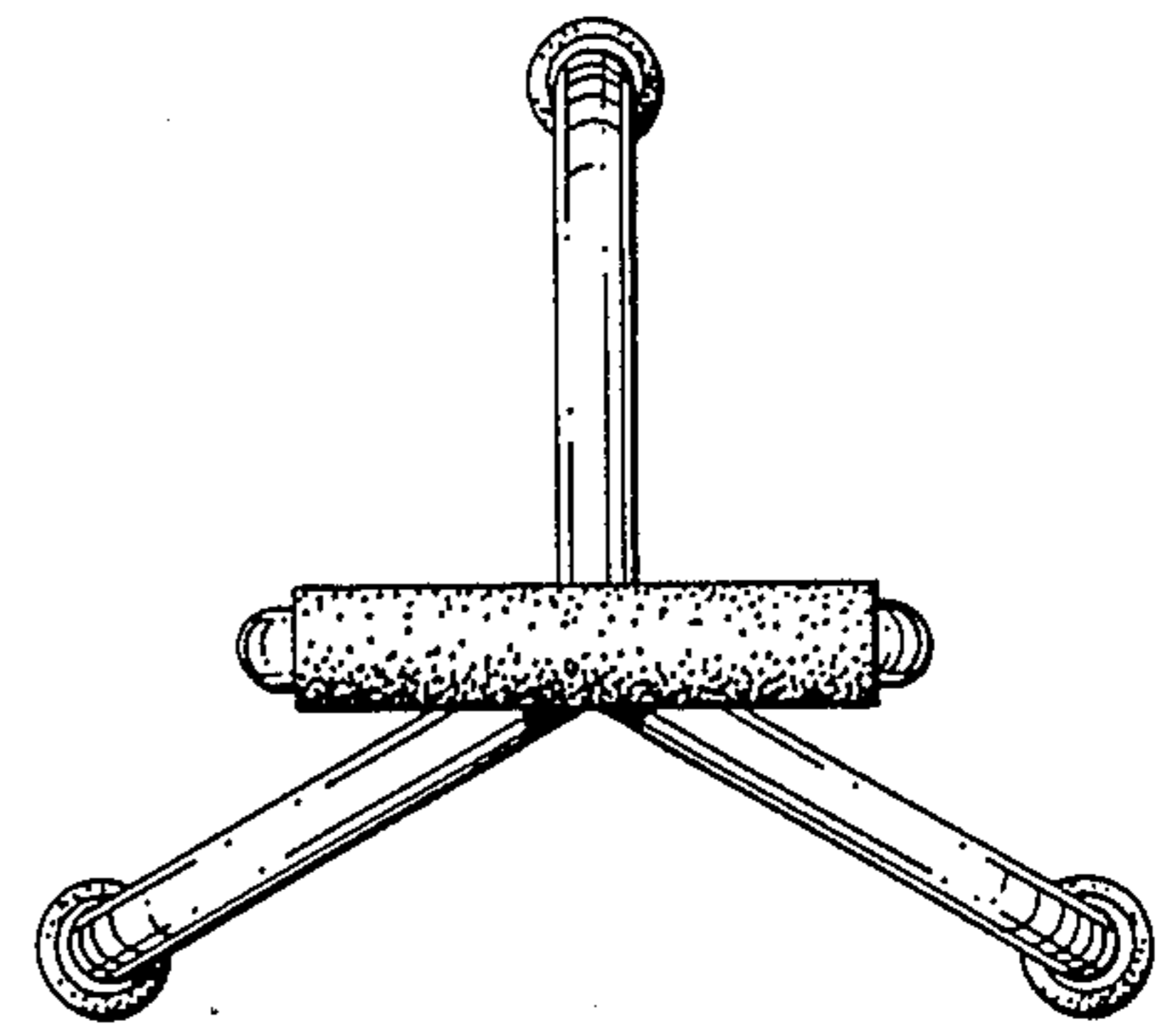


FIG. 4

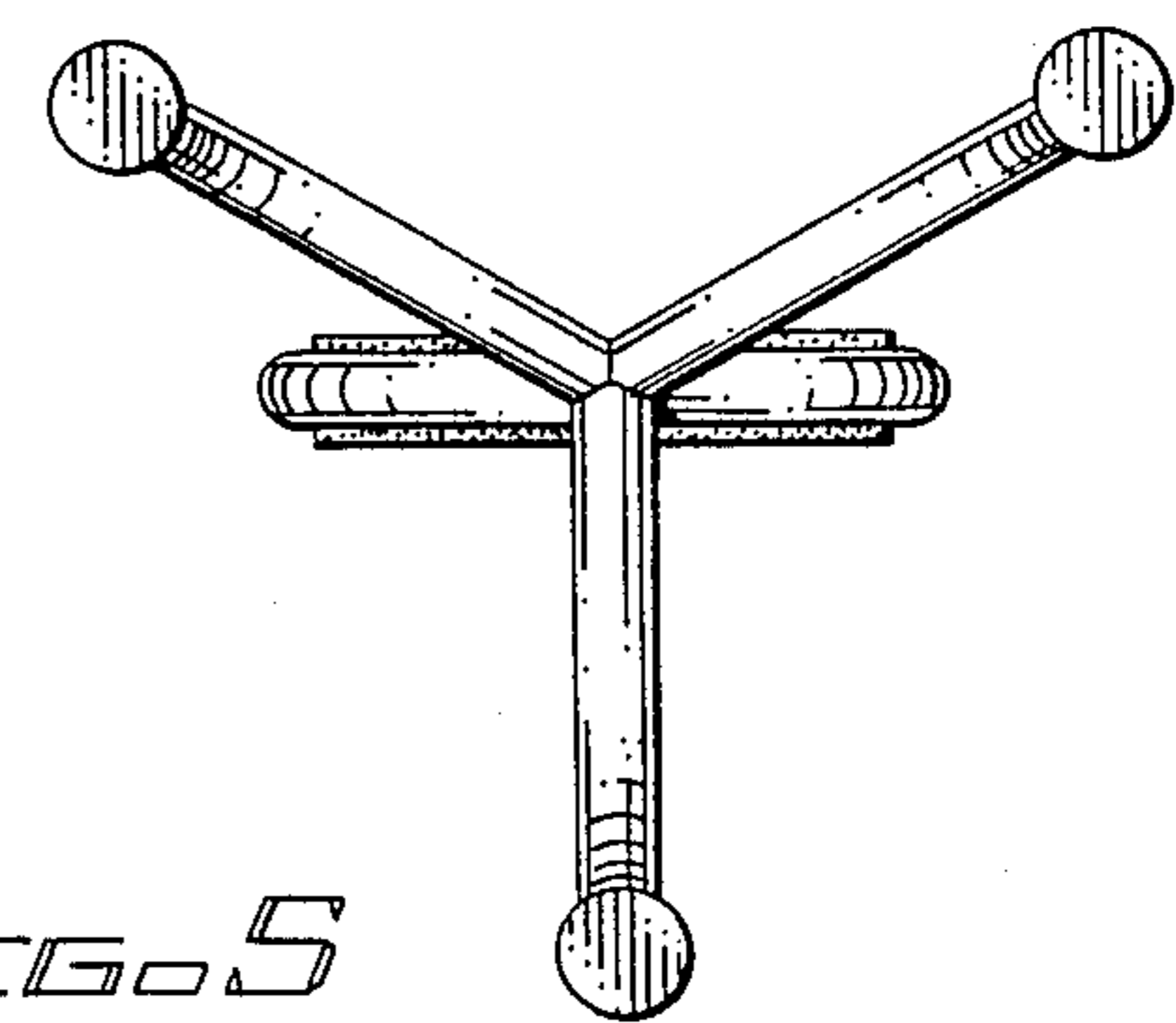


FIG. 5