

[54] **COOKIE**
[76] **Inventor: Kathy E. Tetzlaff, 7392 Doncaster La., Memphis, Tenn. 38125**
[**] **Term: 14 Years**
[21] **Appl. No.: 52,753**
[22] **Filed: May 21, 1987**
[52] **U.S. Cl. D1/128; D1/130; D1/106**
[58] **Field of Search D1/128, 129, 126, 130, D1/122, 118, 199, 106; 217/122; 426/514, 808, 143, 5, 439, 660; D7/20, 354, 361**

[56] **References Cited**
U.S. PATENT DOCUMENTS
D. 91,380 1/1934 Willman D7/361
D. 219,569 12/1970 Prifti D1/106
D. 251,816 5/1979 Majeski D1/122

605,675 6/1898 Johnson 217/122

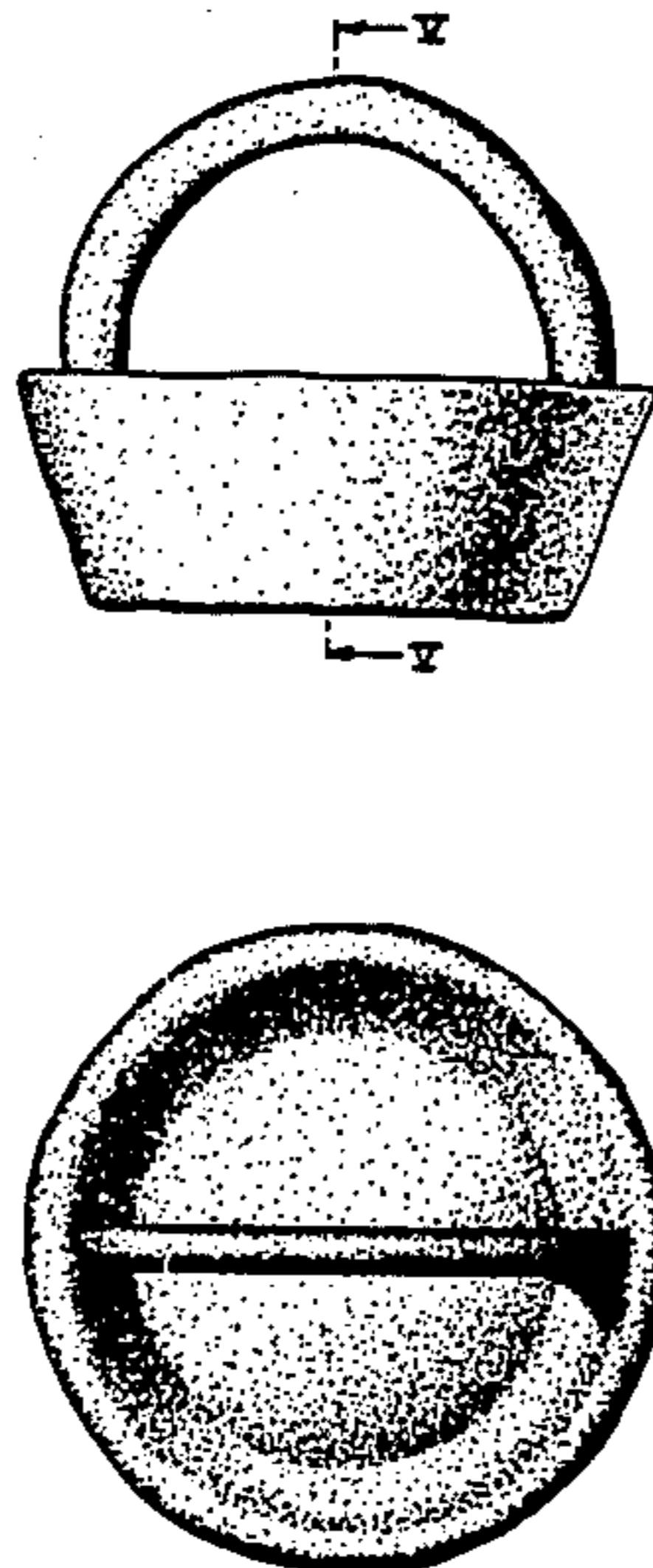
Primary Examiner—Wallace R. Burke
Assistant Examiner—Pamela J. Schmidt
Attorney, Agent, or Firm—Walker & McKenzie

[57] **CLAIM**

The ornamental design for a cookie, as shown and described.

DESCRIPTION

FIG. 1 is a front elevational view of my cookie, showing my new design, the rear elevation being a mirror image thereof.
FIG. 2 is a right side elevational view thereof, the left side being a mirror image thereof.
FIG. 3 is a top plan view thereof.
FIG. 4 is a bottom plan view thereof.
FIG. 5 is a sectional view as taken on line V—V of FIG. 1.



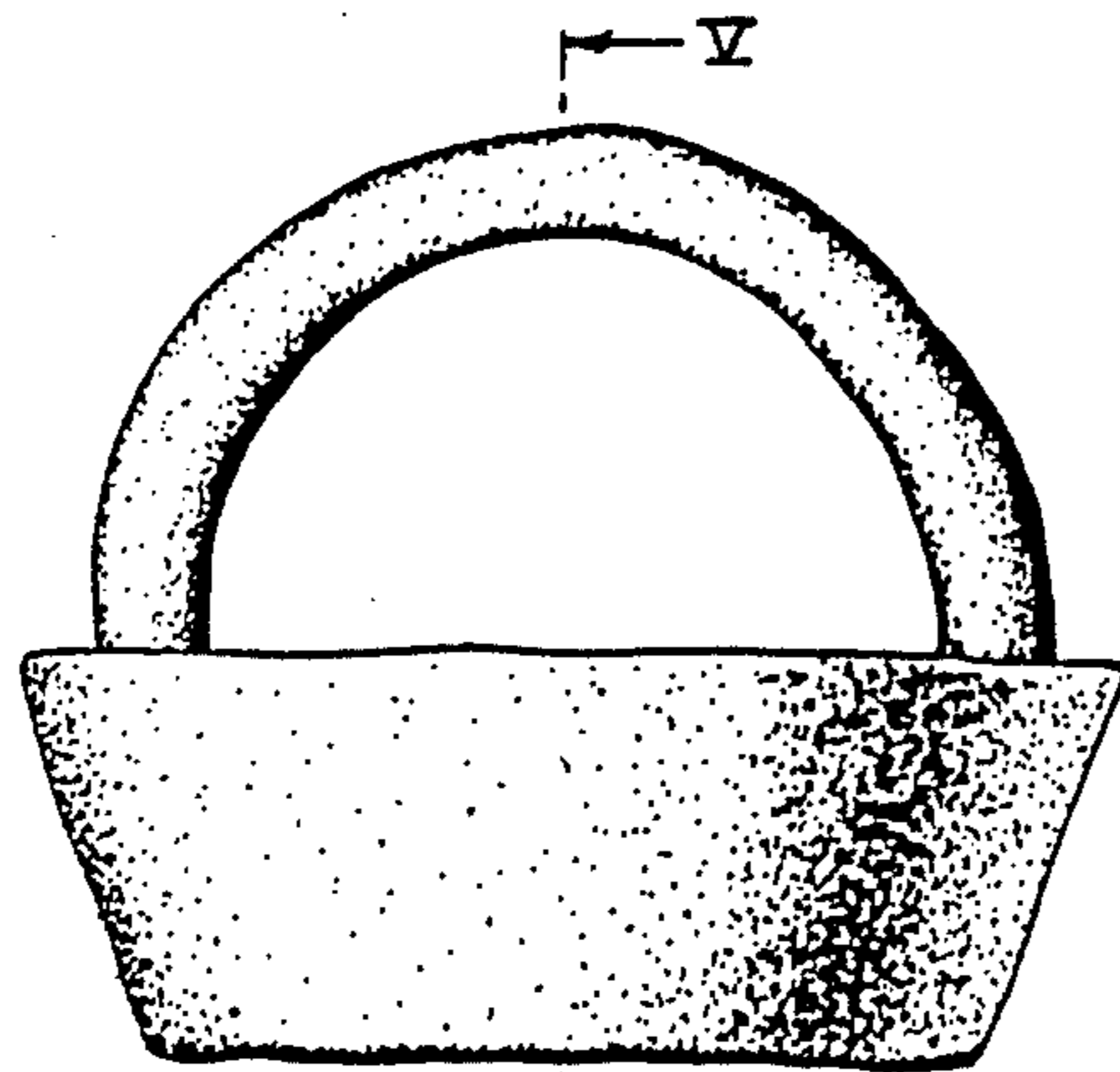


FIG. 1

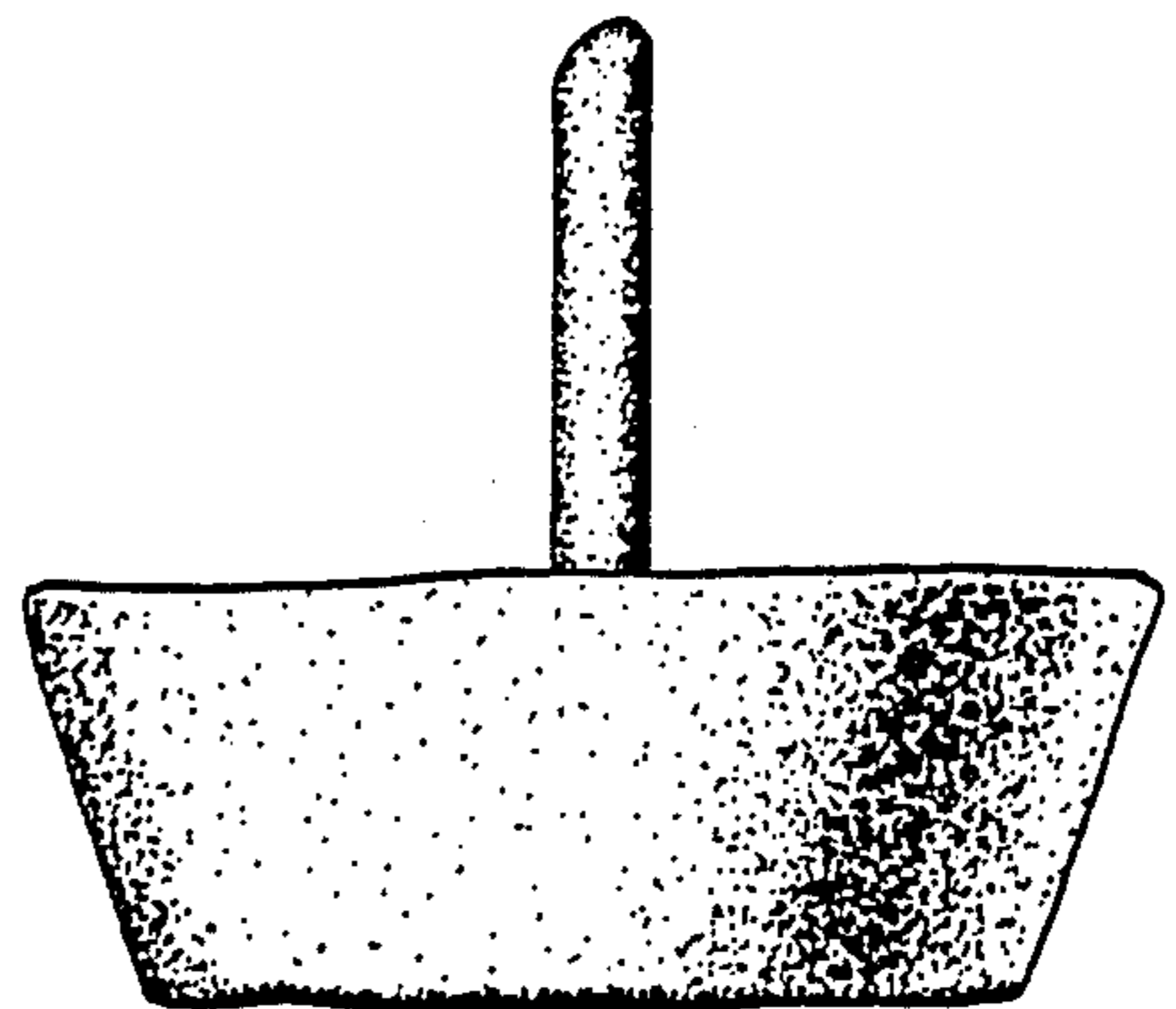


FIG. 2

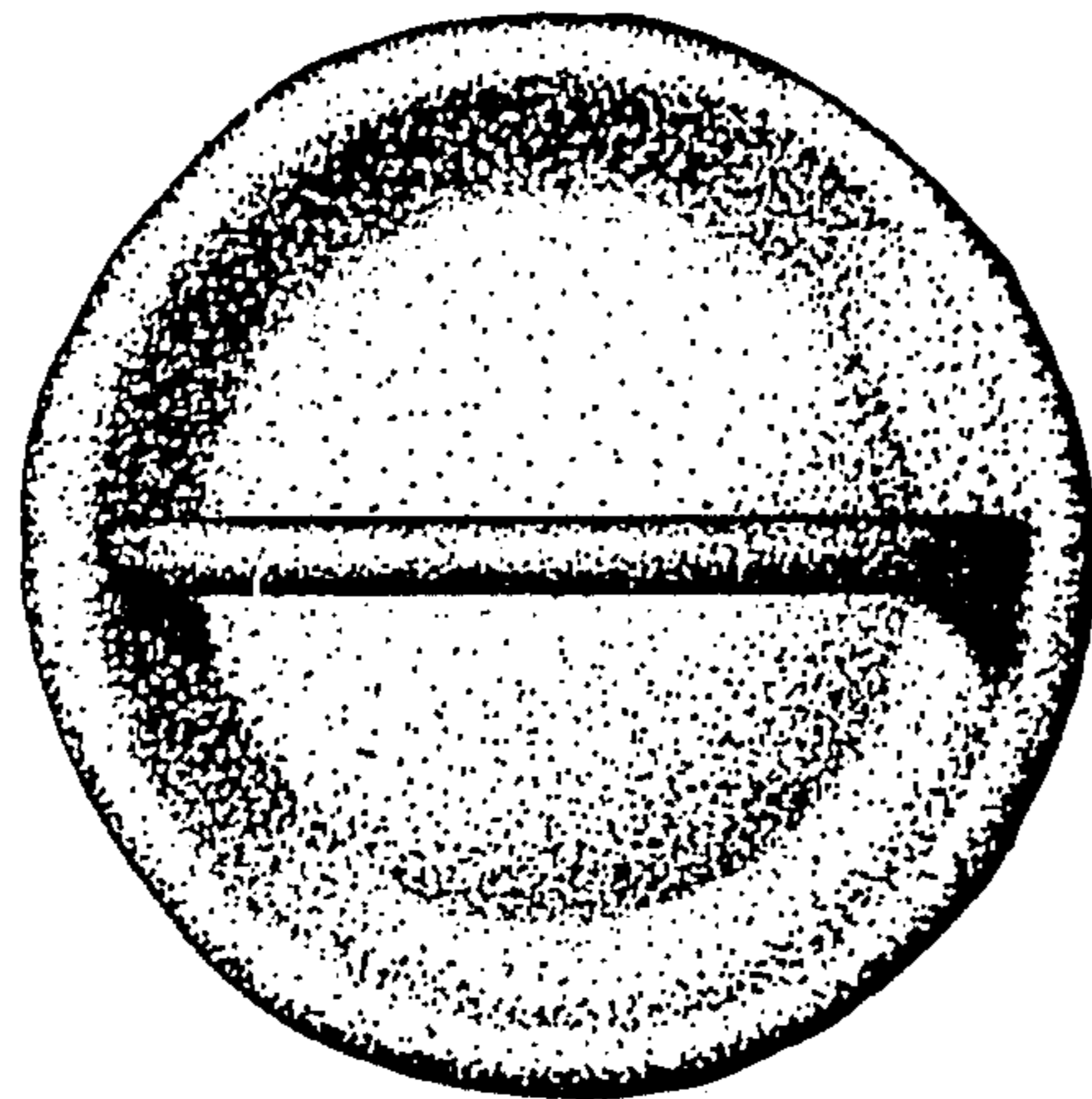


FIG. 3

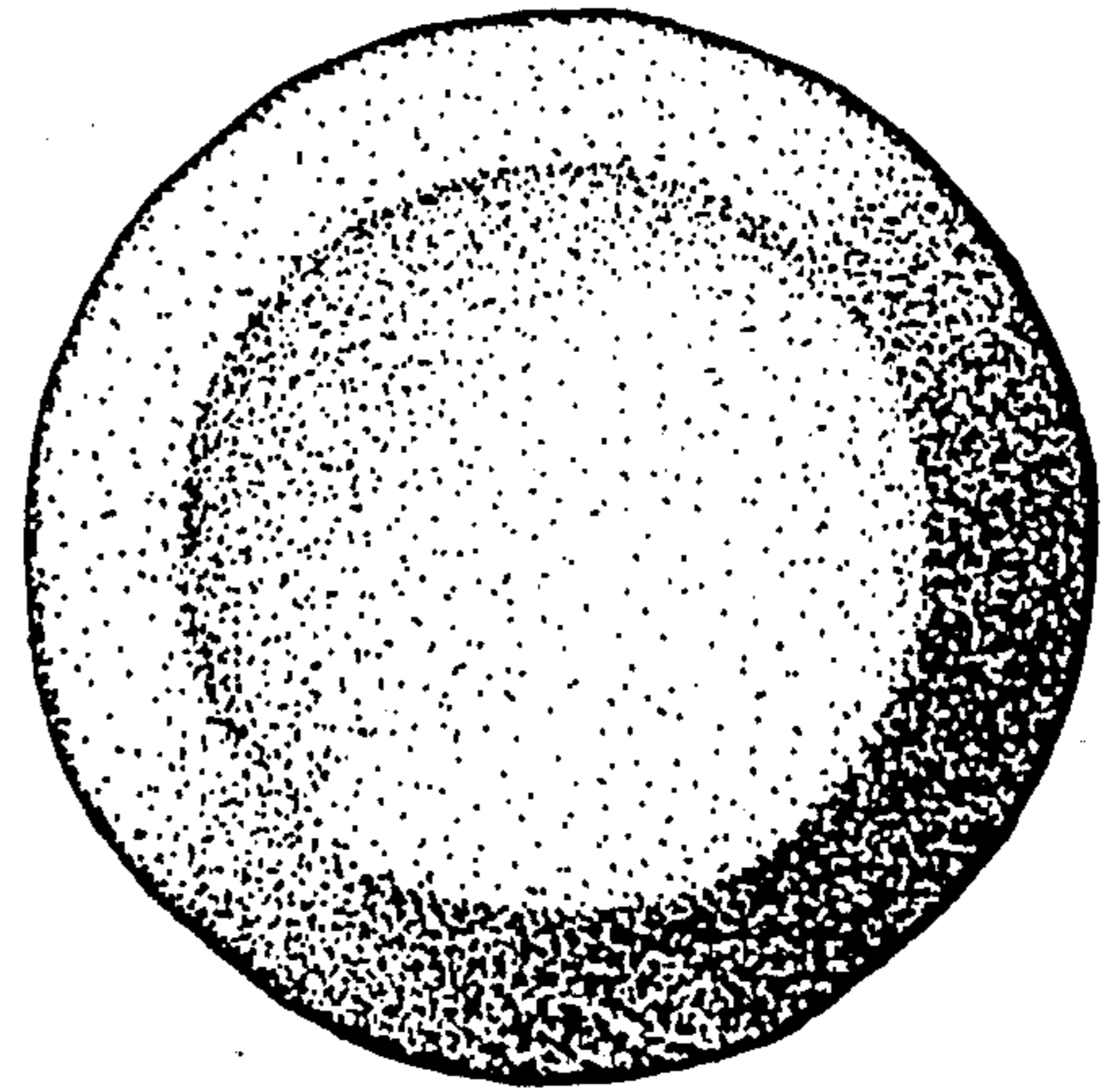


FIG. 4

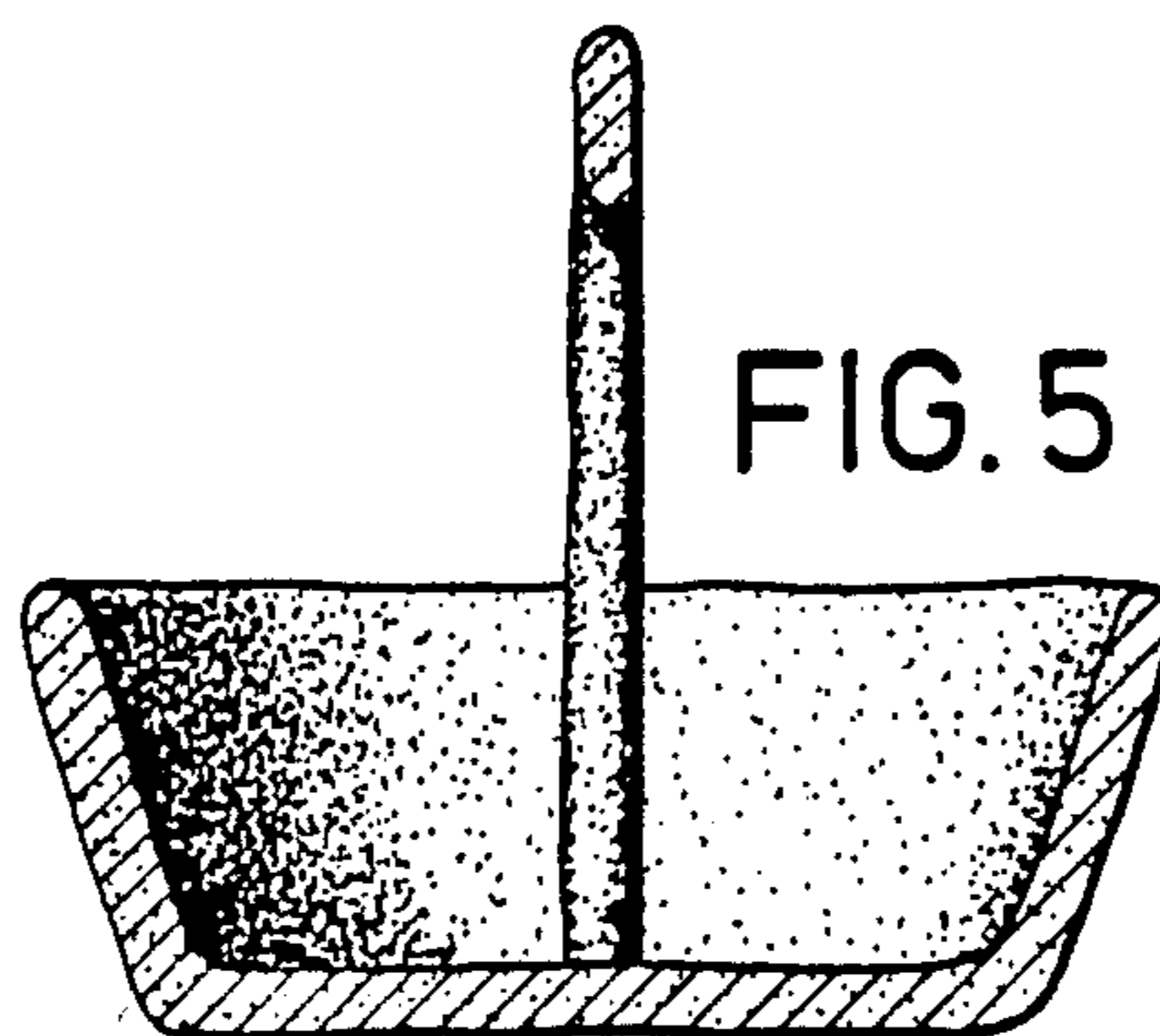


FIG. 5