

[54] **ICE CREAM CONE**

[76] **Inventor: Harold Y. W. Kim, P.O. Box 10741,
Hilo, Hi. 96721**

[**] **Term: 14 Years**

[21] **Appl. No.: 91,072**

[22] **Filed: Aug. 31, 1987**

[52] **U.S. Cl. D1/101**

[58] **Field of Search D1/101, 102, 105, 116,
D1/118, 119; D34/1; 426/66, 143, 514, 110,
101, 391, 446, 499, 512, 283, 549, 139, 95**

[56] **References Cited**

U.S. PATENT DOCUMENTS

2,948,452 8/1960 Grogan et al. D1/102 X
4,136,800 1/1979 Christner et al. 426/139 X
4,720,037 1/1988 Alpert 426/101 X

Primary Examiner—Wallace R. Burke

Assistant Examiner—Pamela J. Schmidt

[57] **CLAIM**

The ornamental design for a ice cream cone, as shown.

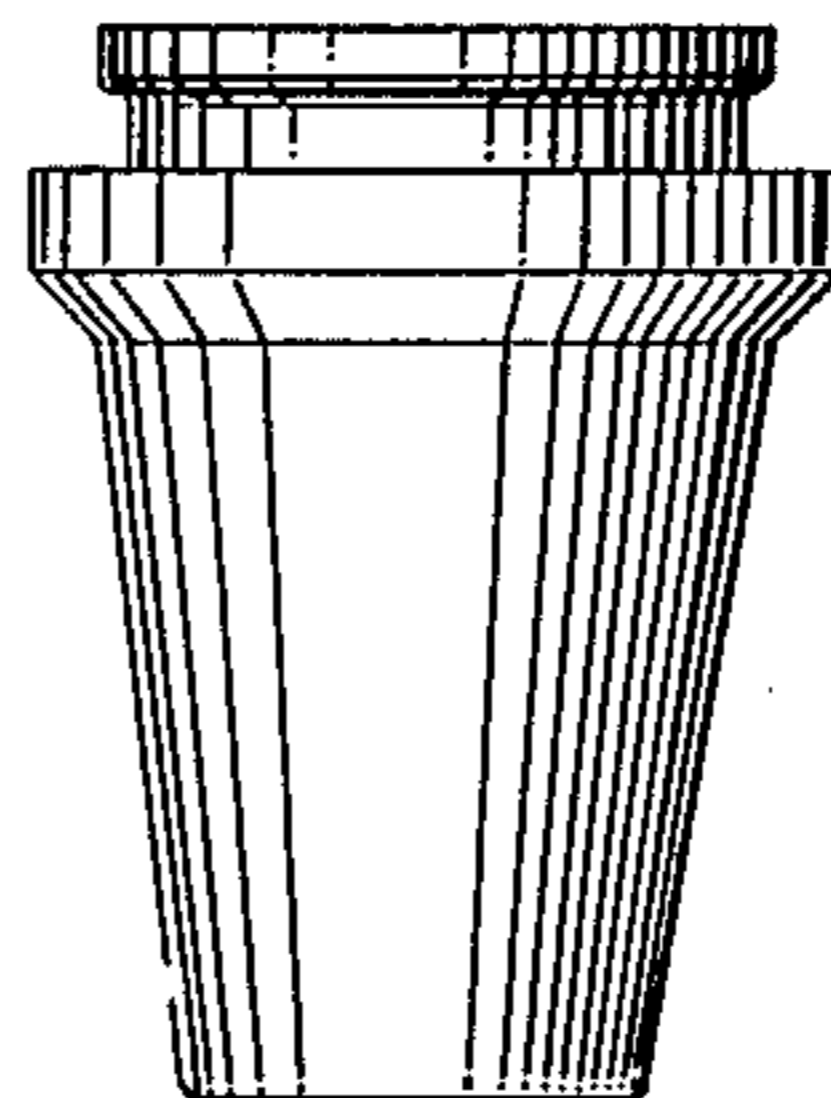
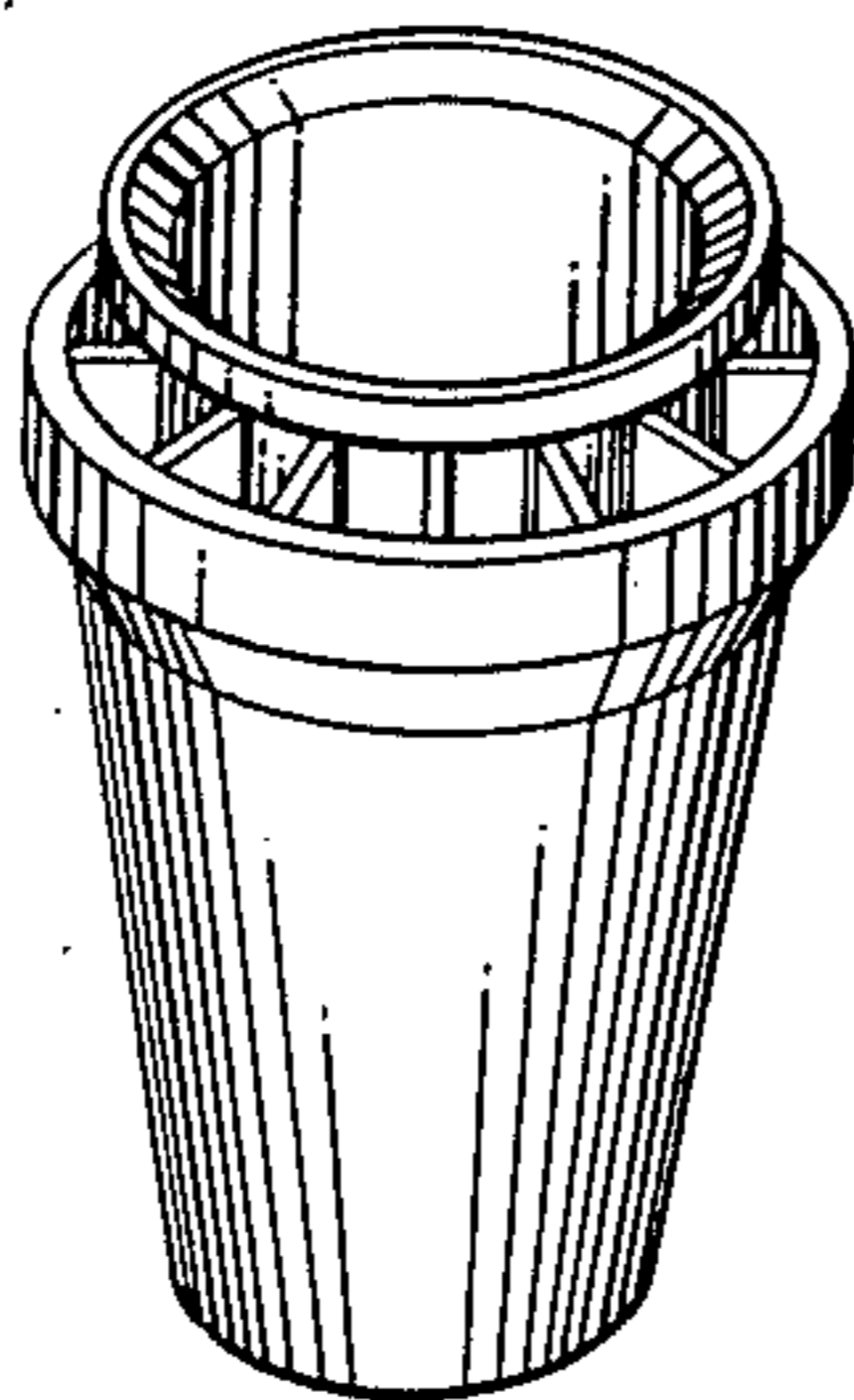
DESCRIPTION

FIG. 1 is a top perspective view of ice cream cone showing my new design;

FIG. 2 is a top plan view thereof;

FIG. 3 is a side elevational view thereof, the undisclosed sides being the same; and

FIG. 4 is a bottom plan view thereof.



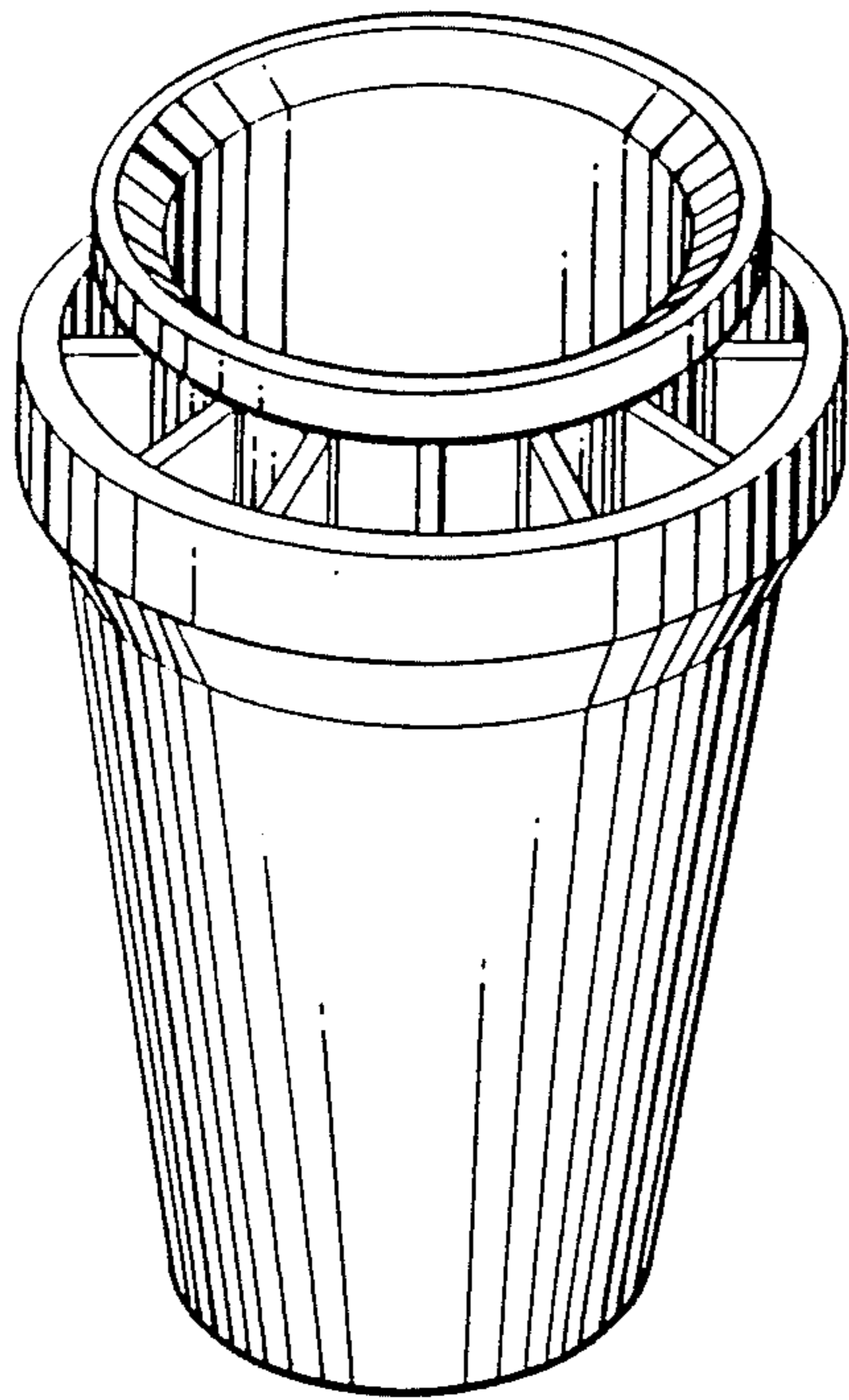


FIG. 1

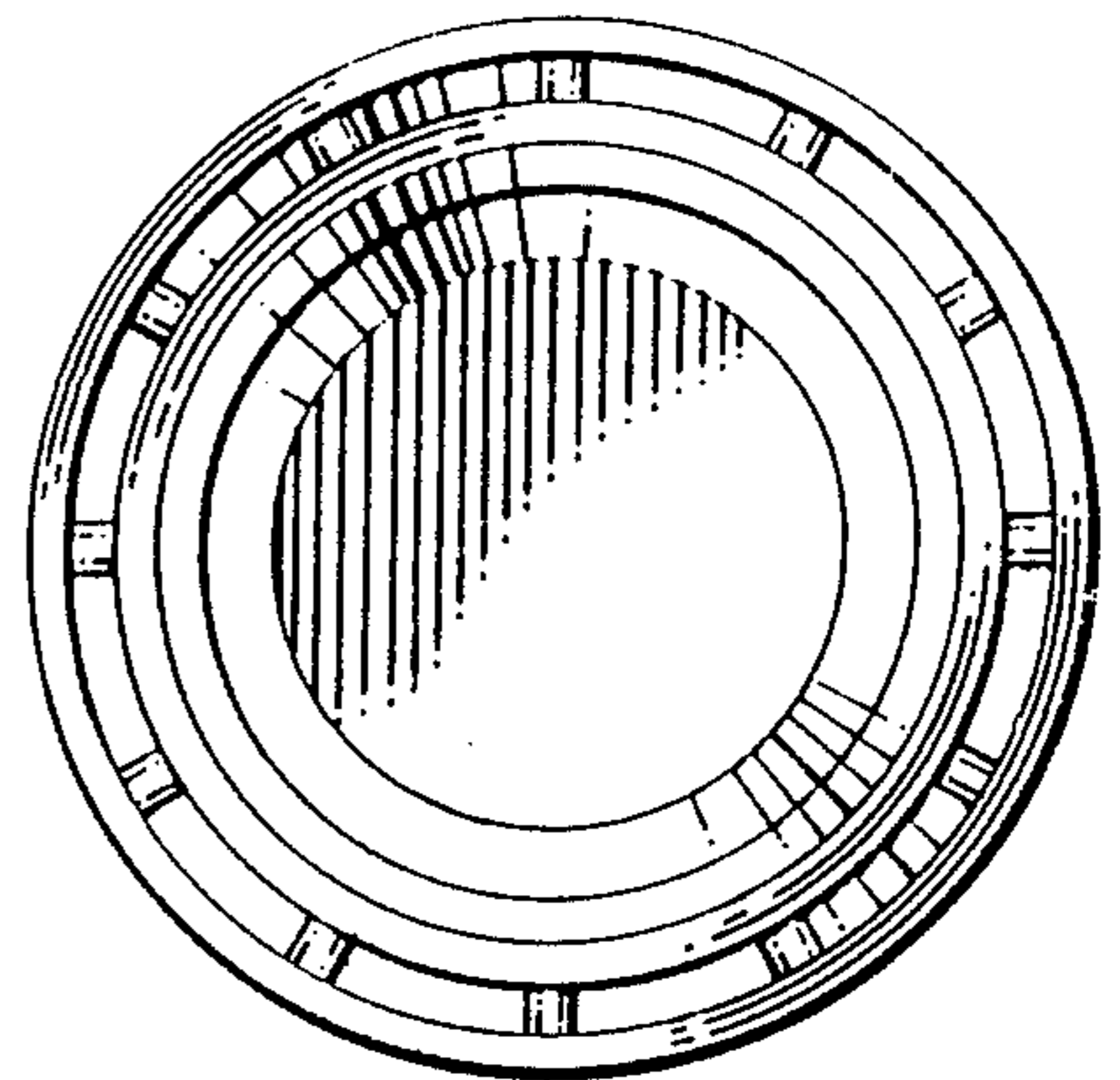


FIG. 2

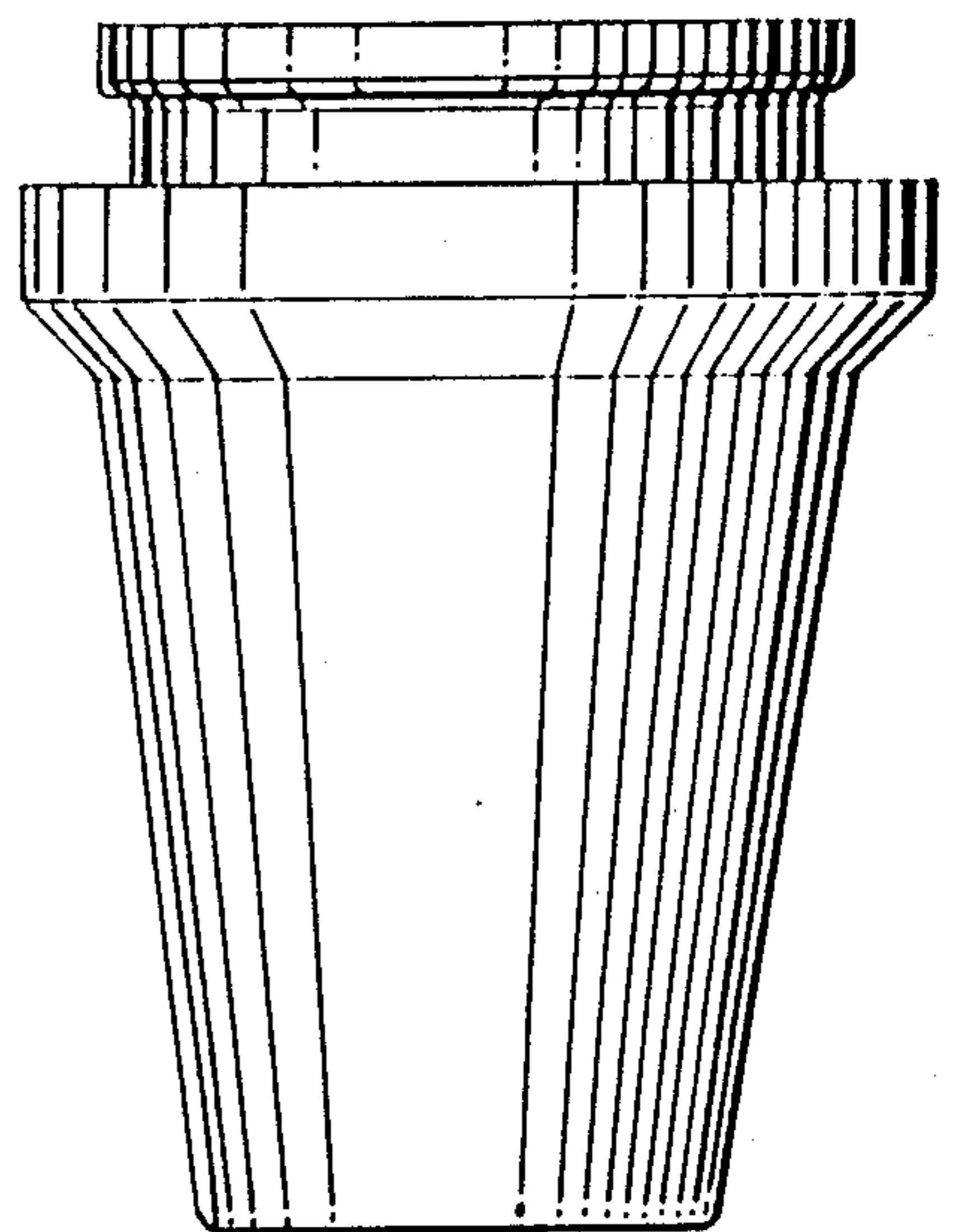


FIG. 3



FIG. 4