

[54] **CONVERTIBLE BLOWER AND VACUUM**
 [75] **Inventors: Darrell W. Hinklin, Richfield;**
Edward A. Rogers, Minneapolis, both
of Minn.
 [73] **Assignee: The Toro Company, Minneapolis,**
Minn.
 [**] **Term: 14 Years**
 [21] **Appl. No.: 886,898**
 [22] **Filed: Jul. 18, 1986**
 [52] **U.S. Cl. D32/15**
 [58] **Field of Search D32/1, 15-18,**
D32/32, 25; D23/383, 393; 15/404-405, 344,
414, 414 R, 415 A, 420, 330-331, 337, 335, 339,
378; 417/234, 423.2, 236; 415/121 G, 159

1,776,778	9/1930	Breuer .	
1,801,964	4/1931	Kuendig .	
1,940,609	12/1933	Simpson	15/15
2,024,367	12/1935	Eriksson-Jons	15/9
2,464,552	3/1949	Breuer	219/39
2,586,145	2/1952	Breuer et al.	299/11
2,598,499	5/1952	Breuer et al.	299/65
2,757,753	8/1956	Kasper	183/36
4,070,771	1/1978	Yakiwchuk	37/53
4,269,571	5/1981	Shikutani et al.	417/234
4,288,886	9/1981	Siegler	15/330
4,325,163	4/1982	Mattson et al.	15/330

- [56] **References Cited**
U.S. PATENT DOCUMENTS
- D. 57,109 2/1921 Brintzenhofe .
 - D. 162,312 3/1951 Karstadt .
 - D. 258,988 4/1981 Satoh D23/155
 - D. 263,547 3/1982 Carsello D32/15
 - D. 271,715 12/1983 Kiyooka D32/15
 - D. 276,662 12/1984 Zerrer et al. D32/15
 - D. 279,319 6/1985 McCloskey et al. D32/15
 - D. 299,571 1/1989 Kiyooka et al. D32/15
 - 1,255,662 2/1918 Sullivan .
 - 1,364,360 1/1921 Emery .
 - 1,423,190 7/1922 Clements .
 - 1,583,528 5/1926 Clements .
 - 1,610,360 12/1926 Clements .
 - 1,749,373 3/1930 Breuer .

OTHER PUBLICATIONS

Weed Eater brochure, "Weed Eater Blowers".
 Eager Beaver, *The Powerful, Portable Clean Up Machines*, by McCulloch.
Primary Examiner—Nelson C. Holtje
Assistant Examiner—Ruth Takemoto
Attorney, Agent, or Firm—Banner, Birch, McKie & Beckett

[57] **CLAIM**

The ornamental design for a convertible blower and vacuum, as shown and described.

DESCRIPTION

FIG. 1 is a perspective view of a convertible blower and vacuum showing our new design;
 FIG. 2 is a left side elevational view thereof;
 FIG. 3 is a front elevational view thereof;
 FIG. 4 is a rear elevational view thereof;
 FIG. 5 is a right side elevational view thereof; and
 FIG. 6 is a bottom plan view thereof.

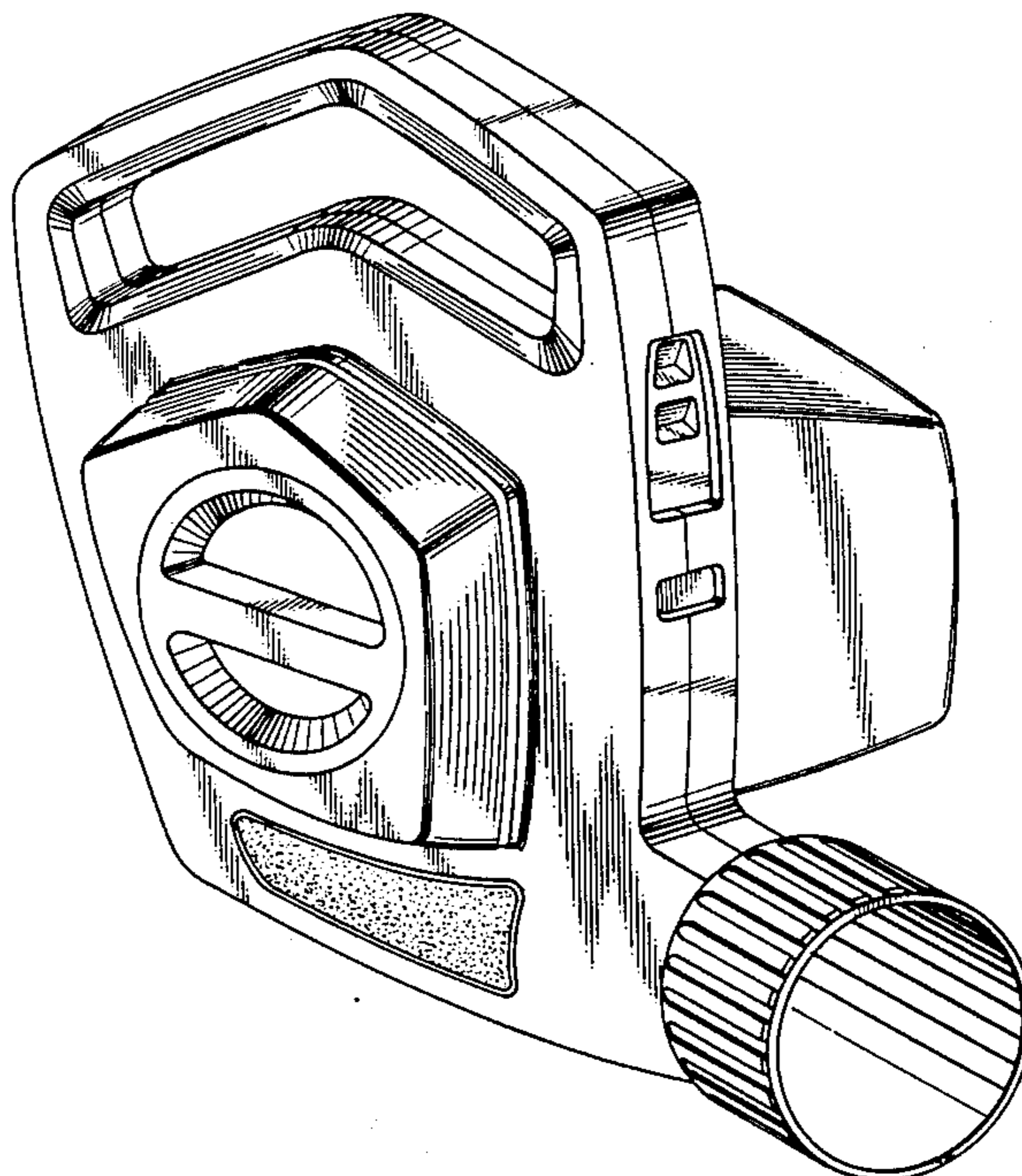


FIG. 1.

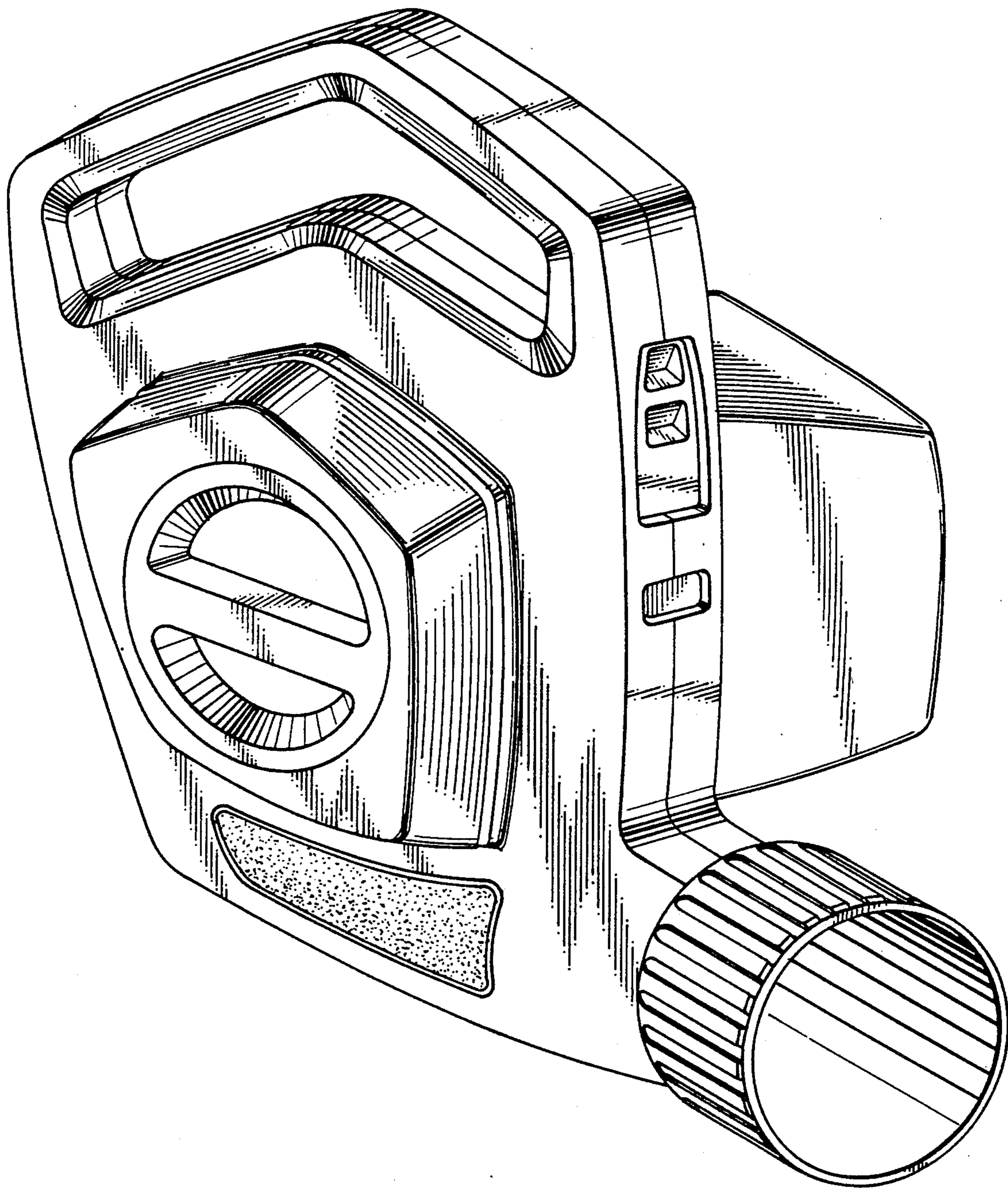
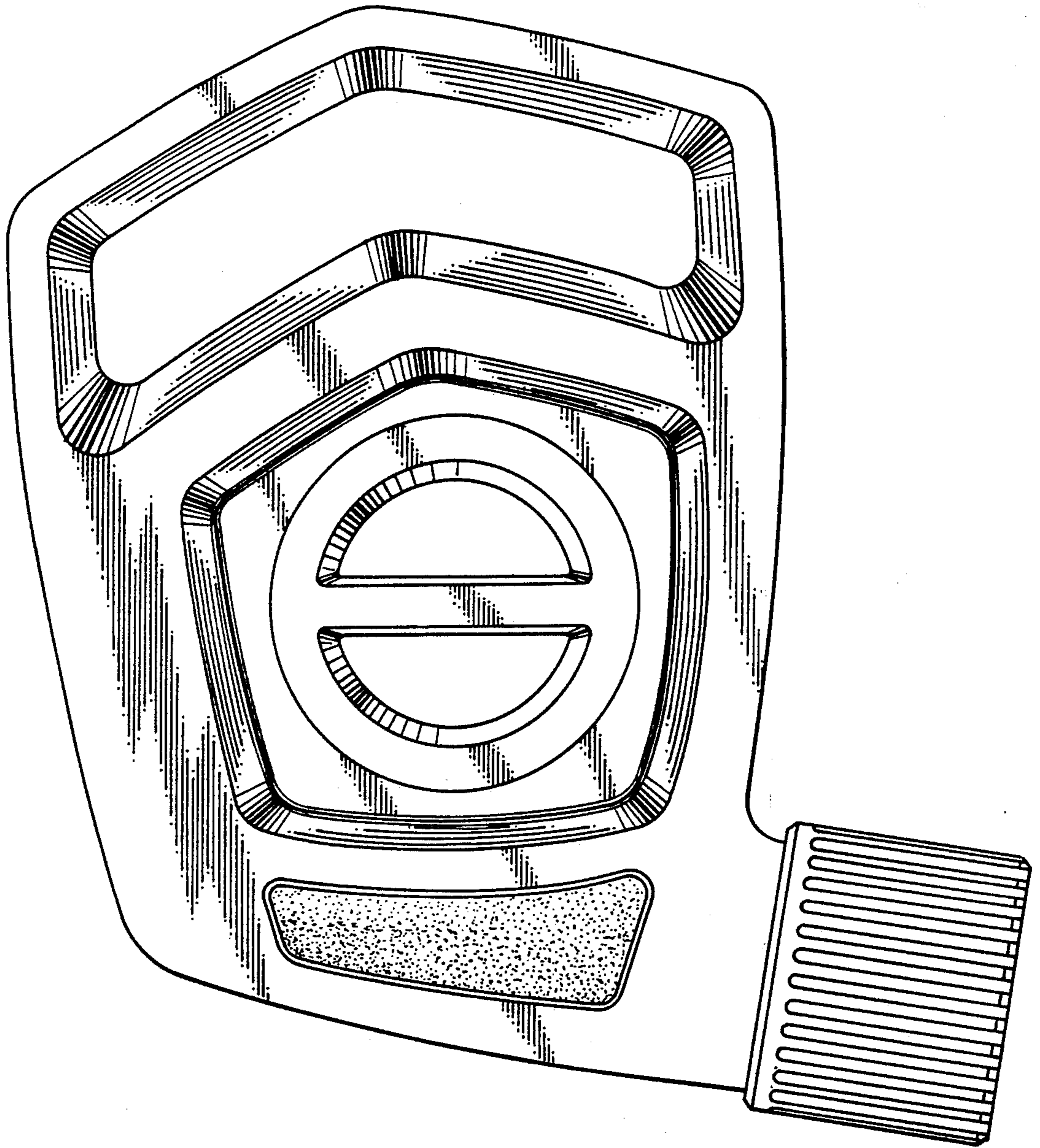


FIG. 2.



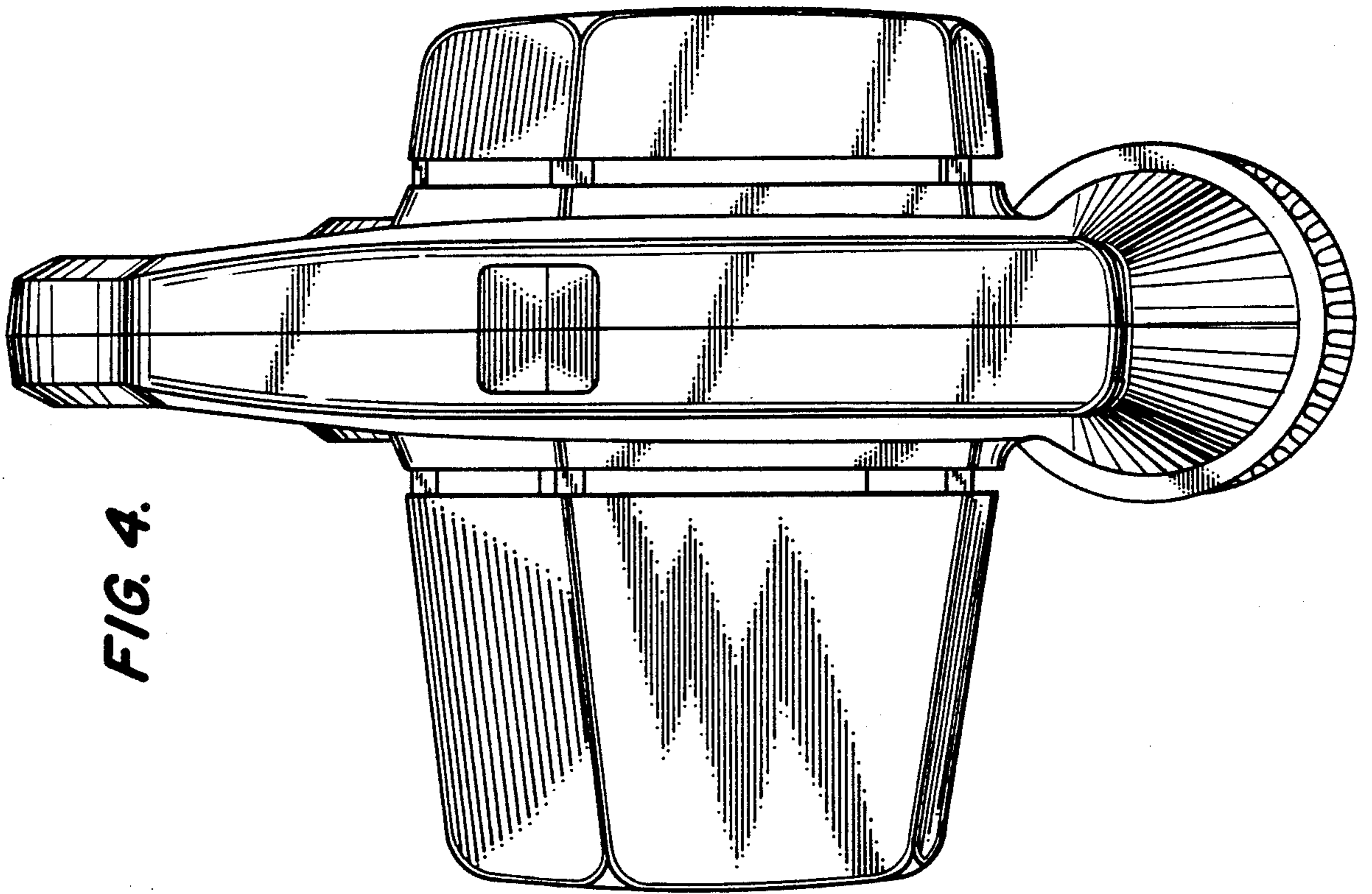


FIG. 4.

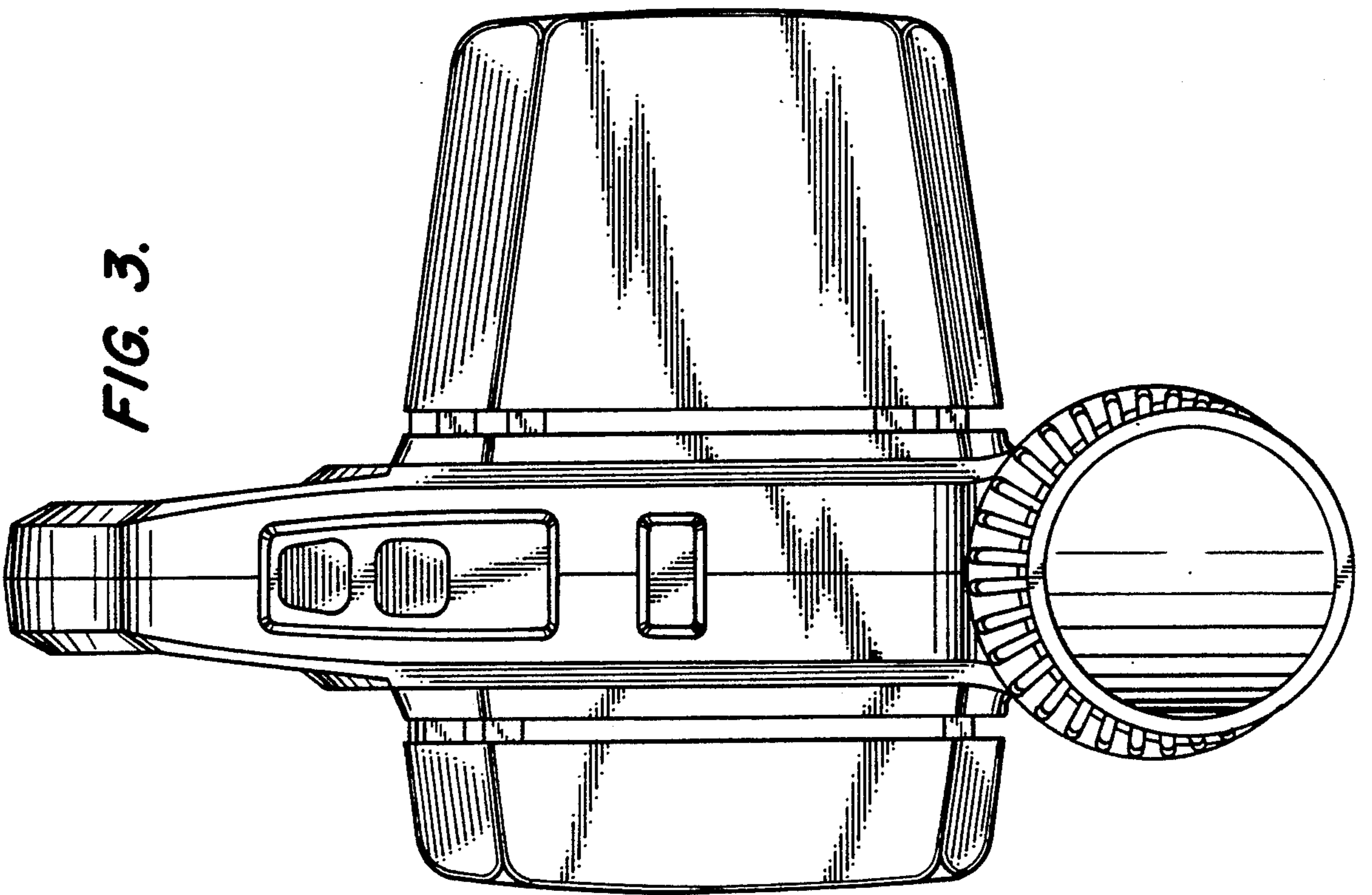


FIG. 3.

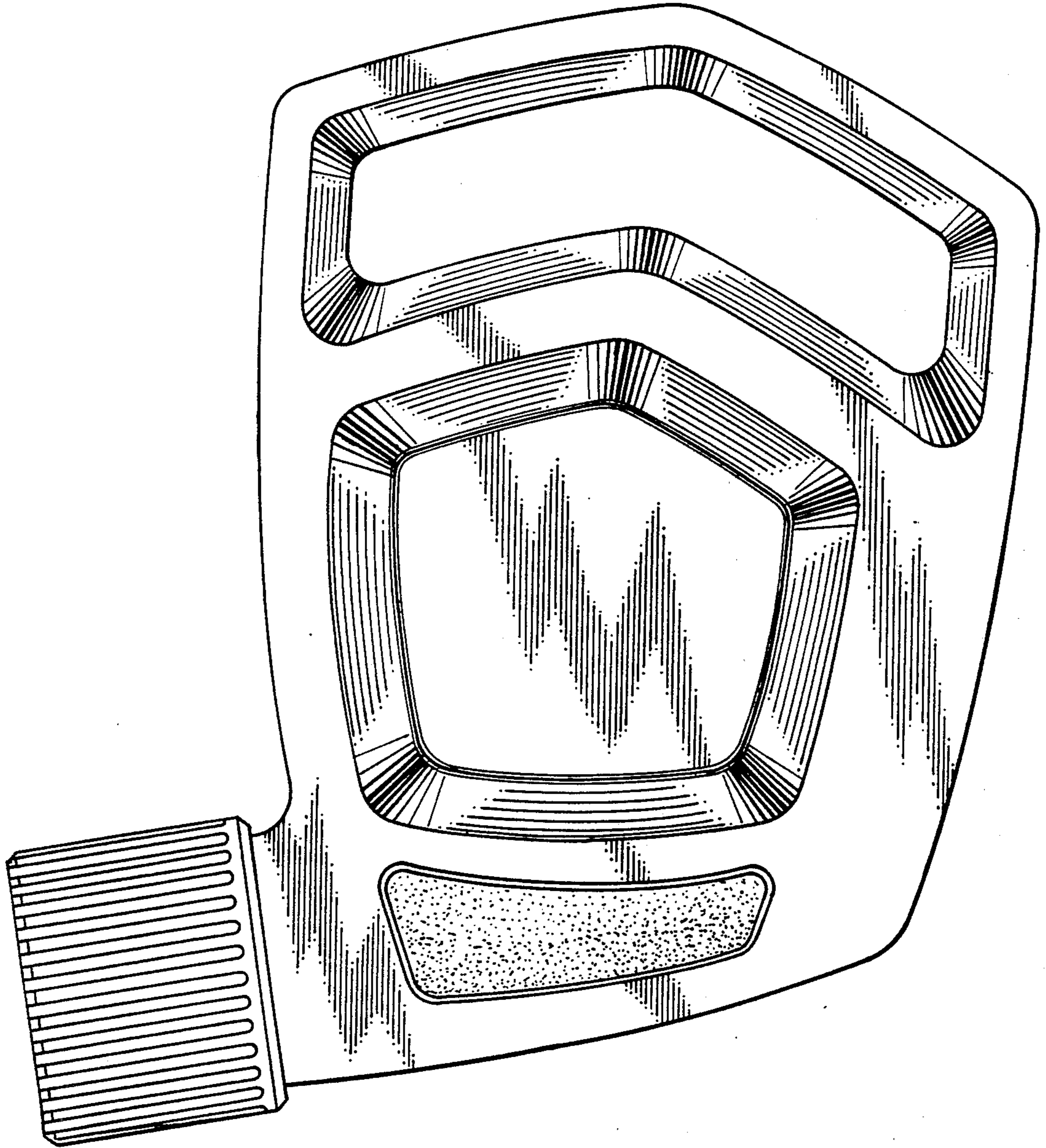


FIG. 5.

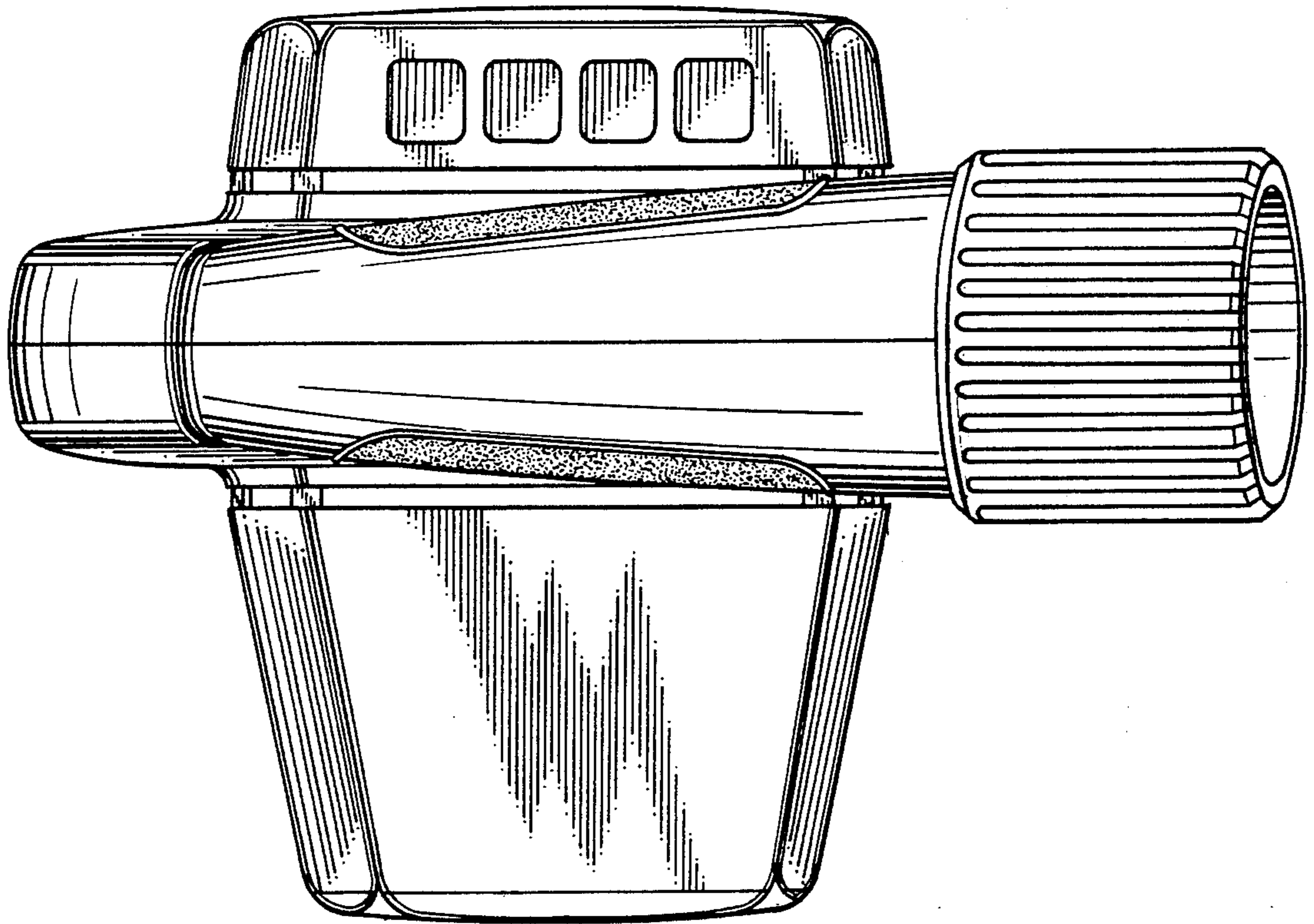


FIG. 6.