

[54] ULTRASONIC CLEANER

[75] Inventors: William Weirsman, Woodbridge; Peter D. Spaine, Stratford; Tomasz Migurski, New Haven; George Rahgo, Milford, all of Conn.

[73] Assignee: Branson Ultrasonics Corporation, Danbury, Conn.

[**] Term: 14 Years

[21] Appl. No.: 858,247

[22] Filed: Apr. 28, 1986

[52] U.S. Cl. D32/1

[58] Field of Search D32/1, 35; 134/90, 102, 134/117-118; 366/127, 128, 600

[56] References Cited

U.S. PATENT DOCUMENTS

D. 204,306 4/1966 Hamm D32/1

D. 219,167 11/1970 Rissolo D32/1
D. 261,423 10/1981 Geissler D32/1
3,799,179 3/1974 Thomas 134/102

Primary Examiner—A. Hugo Word
Assistant Examiner—Ruth McInroy
Attorney, Agent, or Firm—Polster, Polster and Lucchesi

[57] CLAIM

The ornamental design for an ultrasonic cleaner, as shown and described.

DESCRIPTION

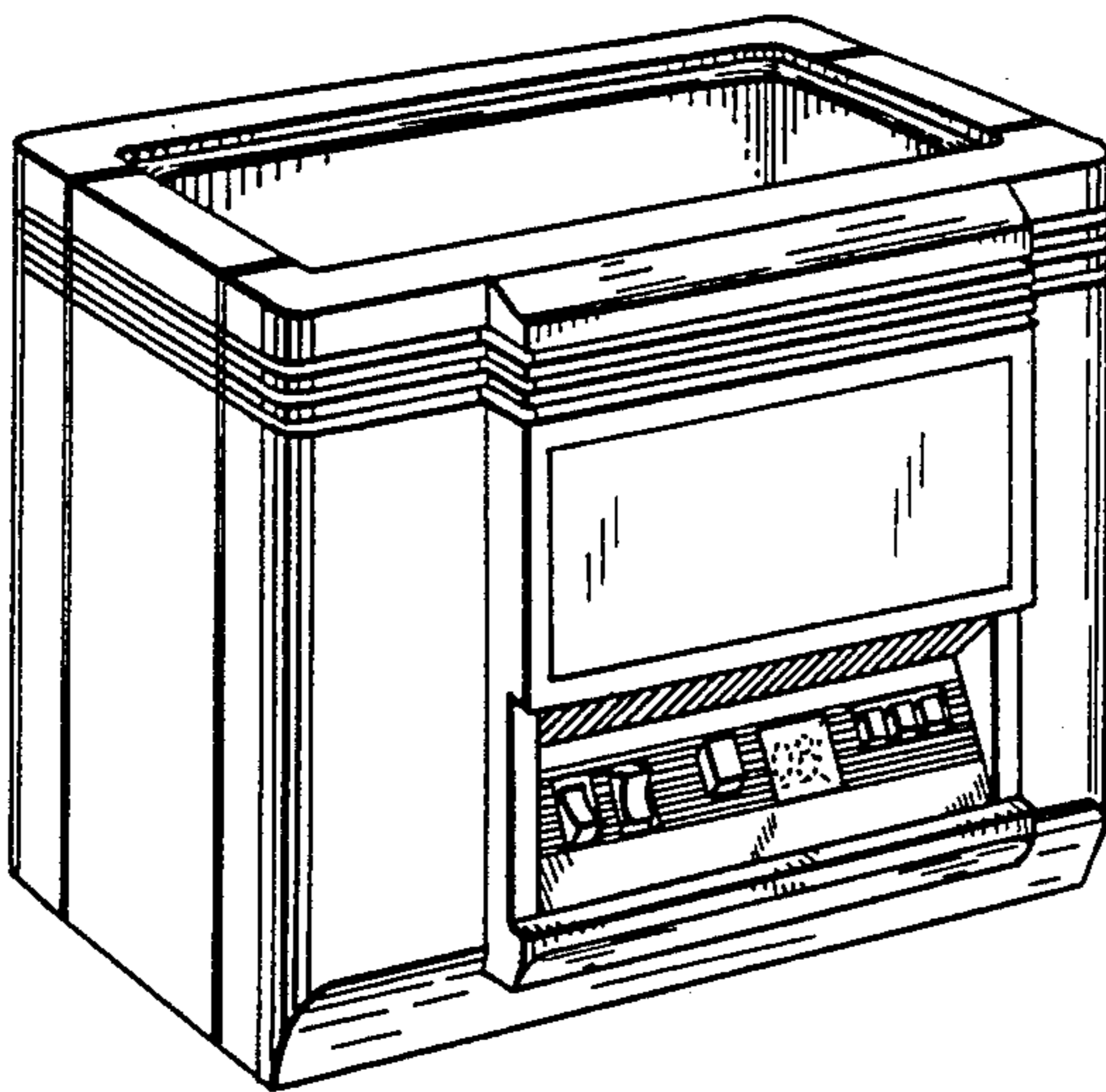
FIG. 1 is a perspective view taken from the top, front and right side of an ultrasonic cleaner showing our new design;

FIG. 2 is a left side elevational view thereof;

FIG. 3 is a rear elevational view thereof, and

FIG. 4 is a bottom plan view thereof.

The electric cord is shown in broken lines in FIGS. 2 and 4 for illustrative purposes only and forms no part of the claimed design.



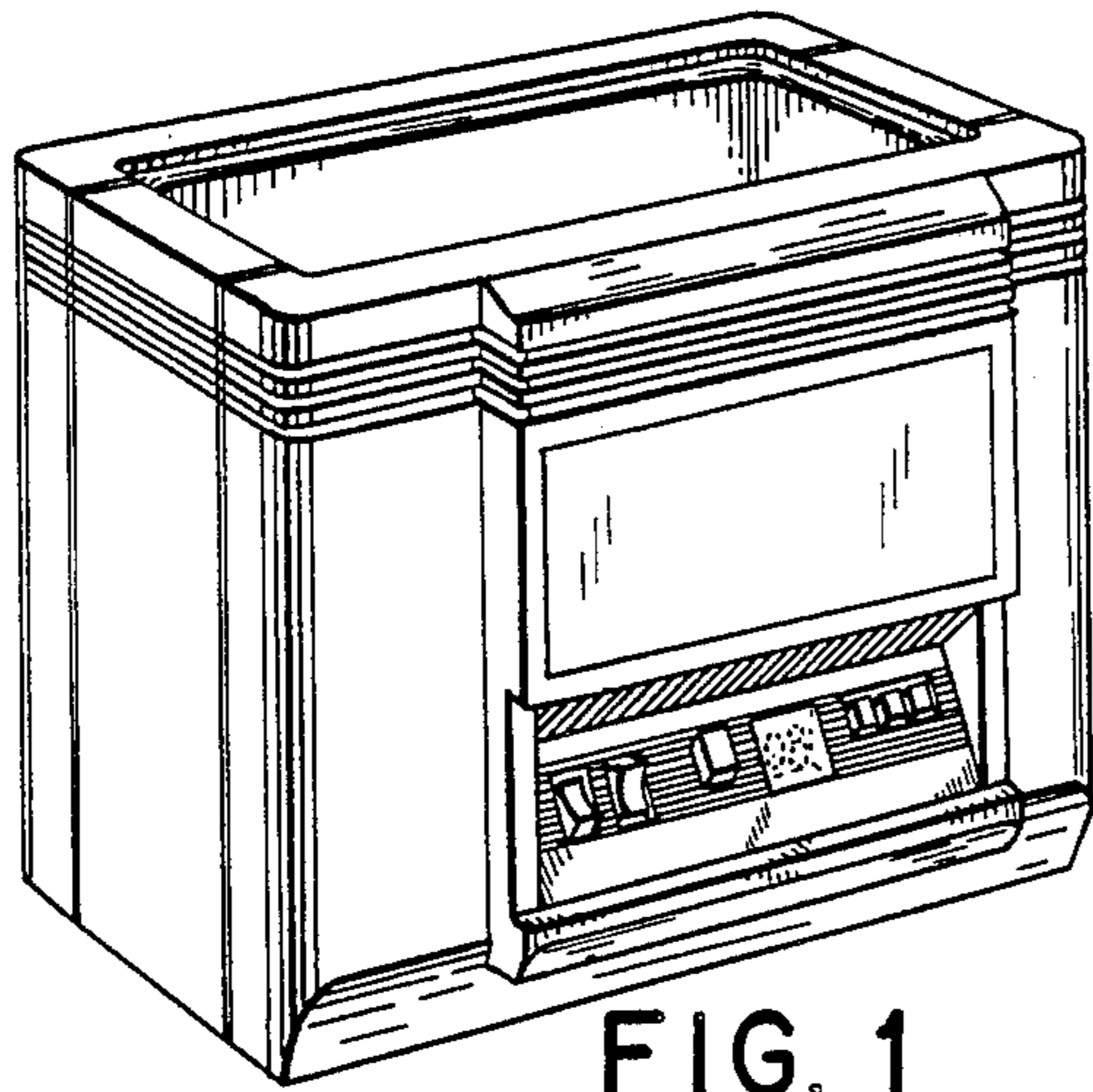


FIG. 1

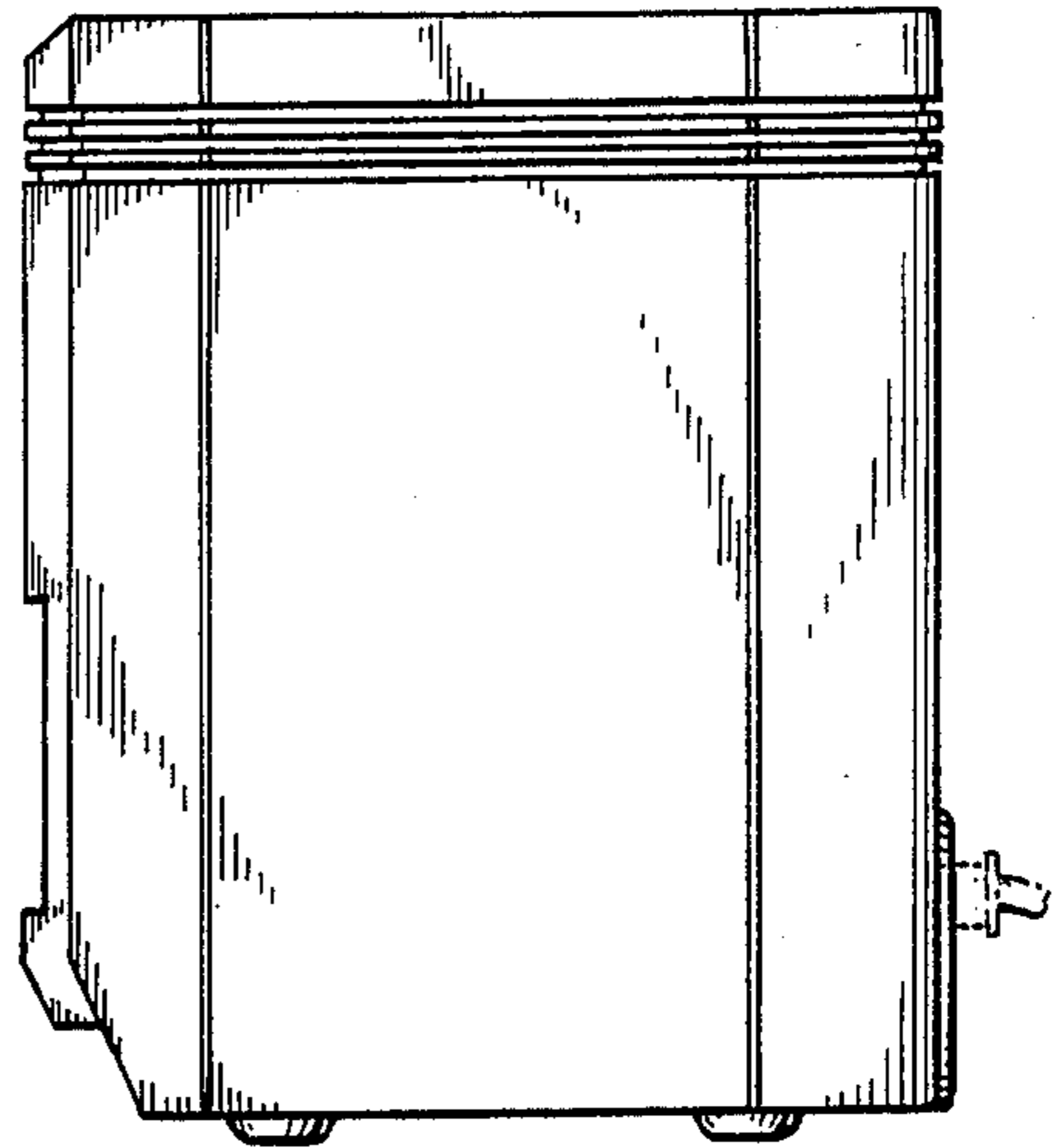


FIG. 2

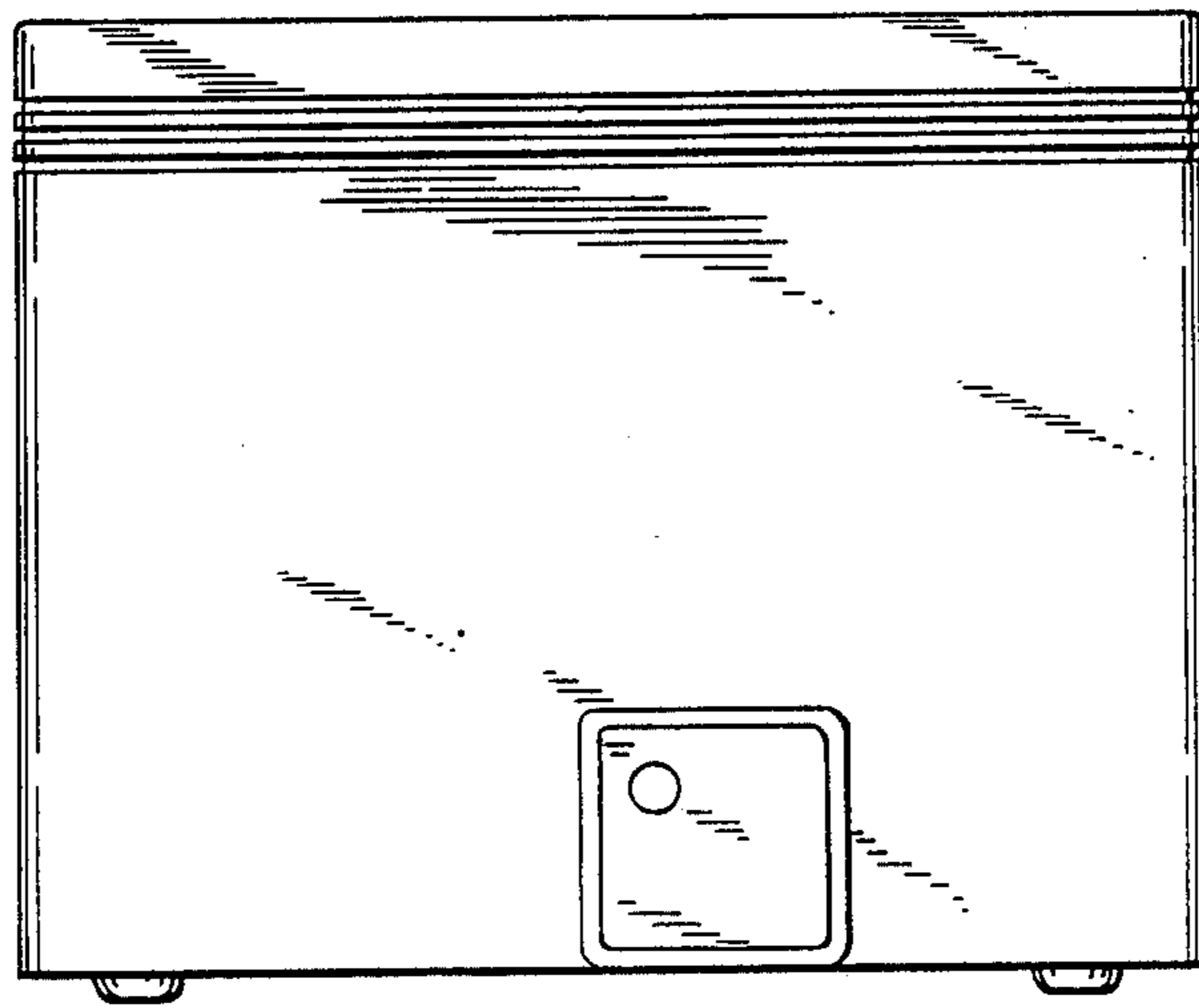


FIG. 3

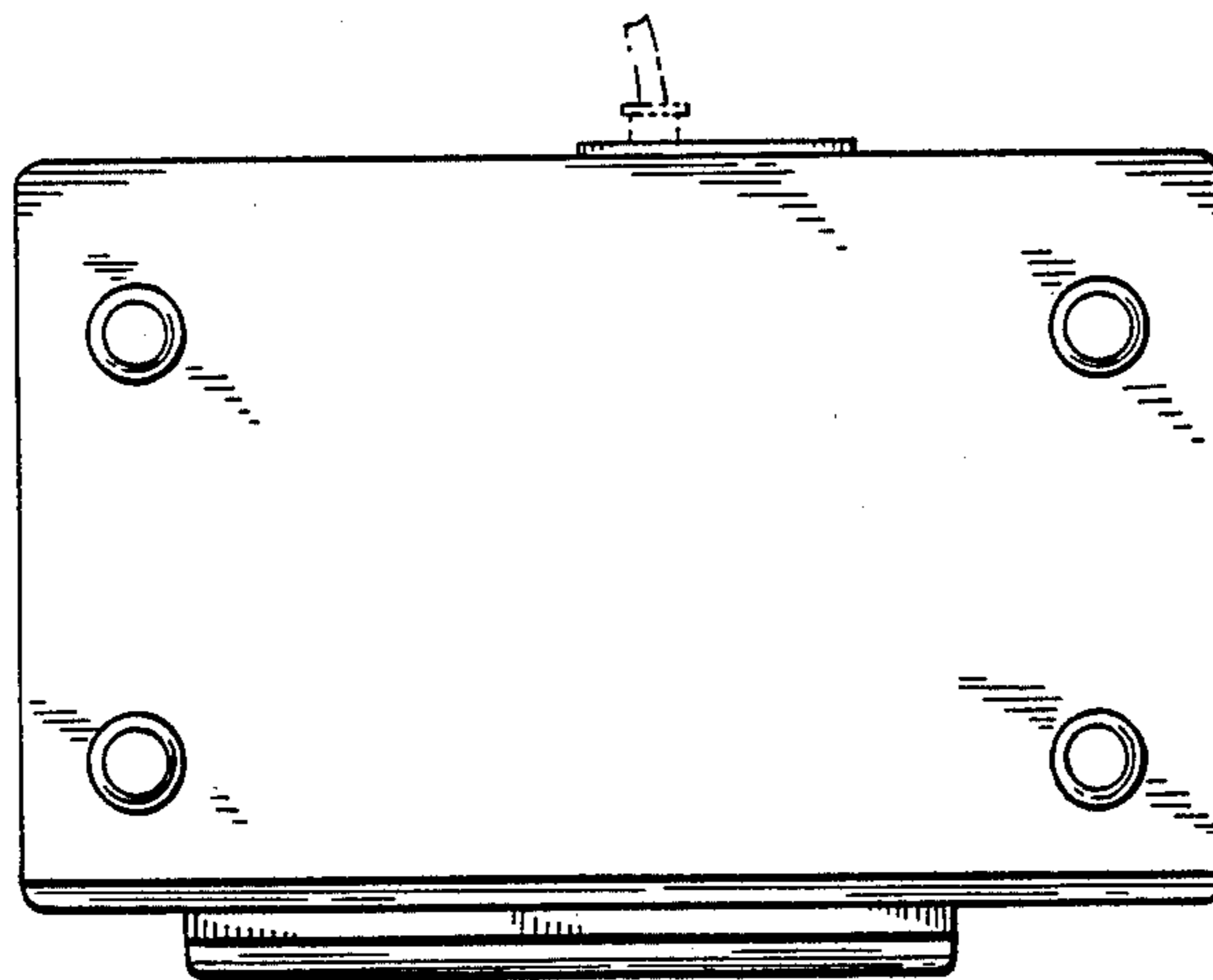


FIG. 4