

[54] FIRE EXTINGUISHER CLAMP

[76] Inventor: Brian K. Murdock, 1818 Ewing Ave., Charlotte, N.C. 28203

[**] Term: 14 Years

[21] Appl. No.: 284,477

[22] Filed: Dec. 14, 1988

[52] U.S. Cl. D29/5; D8/396; D8/395

[58] Field of Search D29/1-5; 169/30, 51, 71, 89, 91; D8/382, 394, 395; 248/311.1, 310; 239/308

[56] References Cited

U.S. PATENT DOCUMENTS

D. 269,155	5/1983	Rose	D8/395
D. 279,959	8/1985	Nimmo et al.	D8/382
3,239,010	3/1966	Huthsing, Jr.	D29/2
4,775,012	10/1988	Thompson et al.	169/71

FOREIGN PATENT DOCUMENTS

88324	11/1956	Norway	248/311.2
2173099	10/1986	United Kingdom	169/51

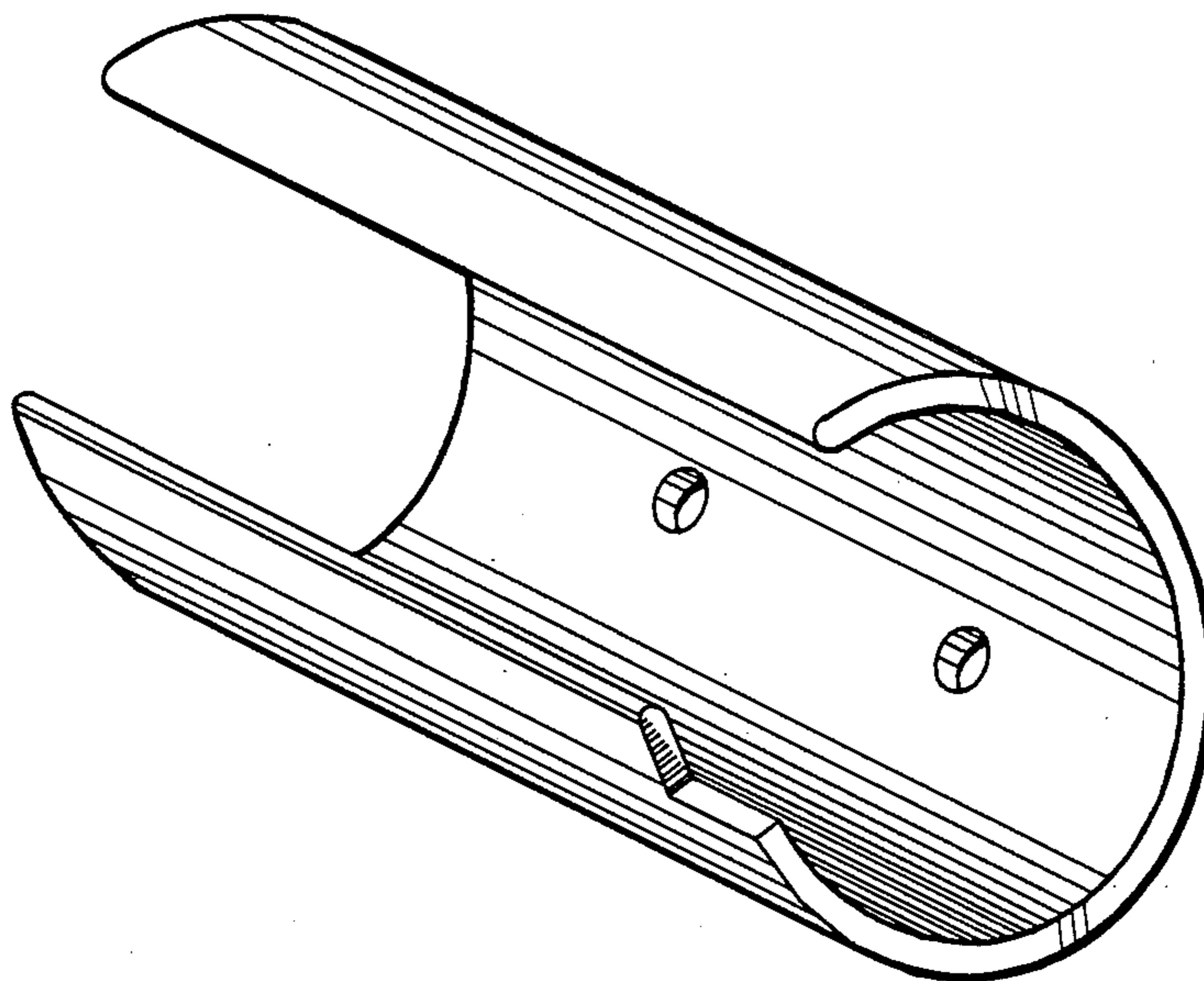
Primary Examiner—Wallace R. Burke
Assistant Examiner—Kay H. Chin
Attorney, Agent, or Firm—Jerry T. Kearns

[57] CLAIM

The ornamental design for a fire extinguisher clamp, as shown and described.

DESCRIPTION

FIG. 1 is a perspective view of a fire extinguisher clamp showing my new design;
FIG. 2 is a front elevational view thereof;
FIG. 3 is a rear elevational view thereof;
FIG. 4 is a left side elevational view thereof;
FIG. 5 is a right side elevational view thereof;
FIG. 6 is a top plan view thereof; and,
FIG. 7 is a bottom plan view thereof.



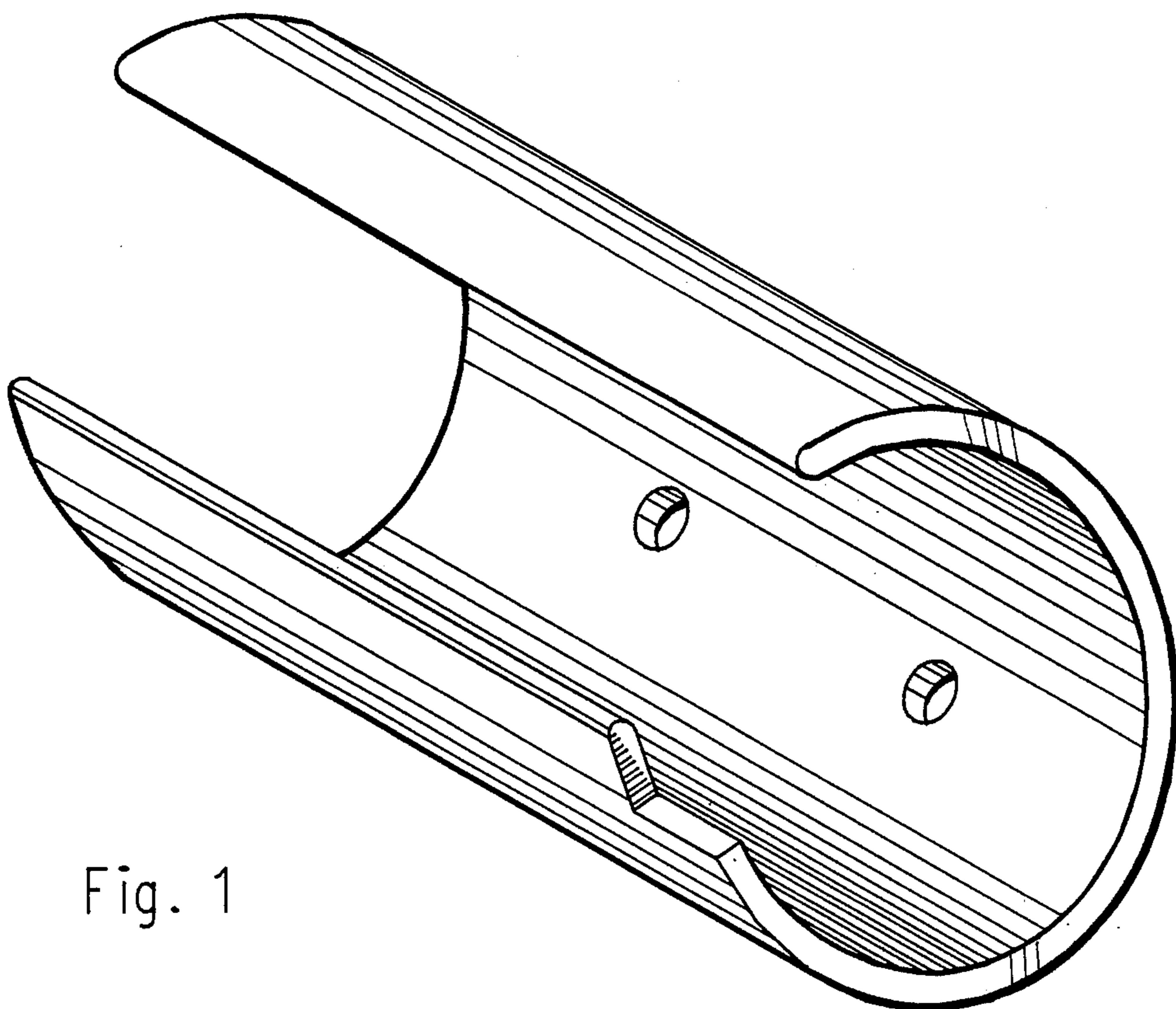


Fig. 1

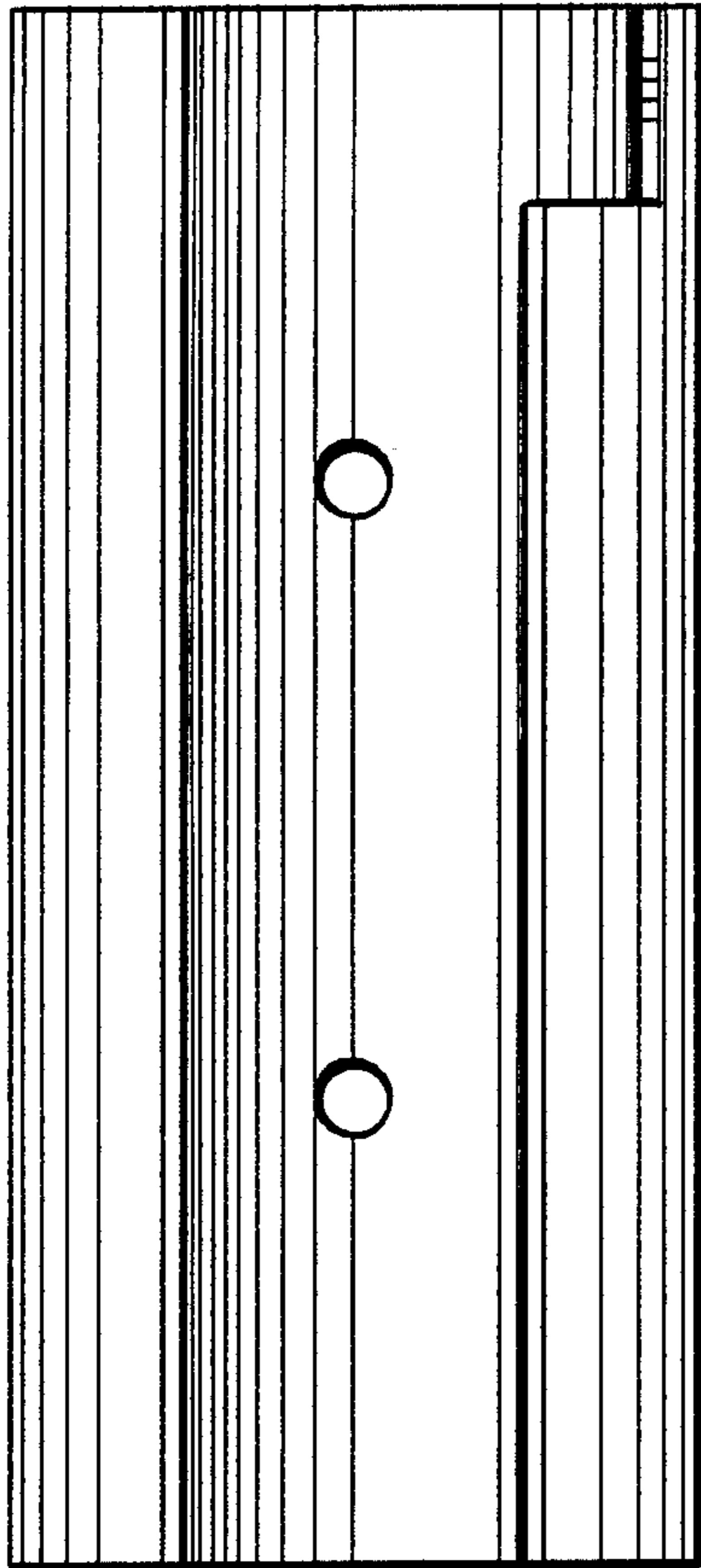


Fig. 2

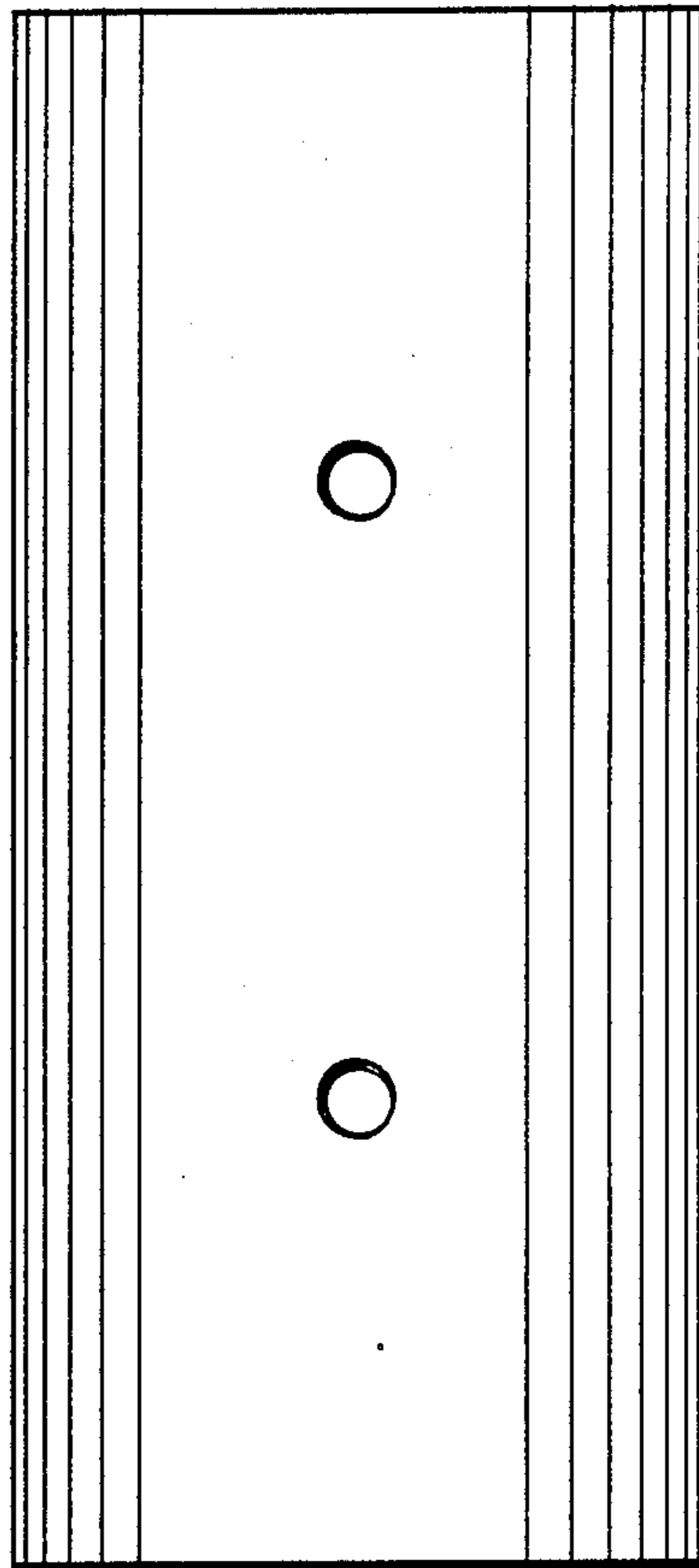


Fig. 3

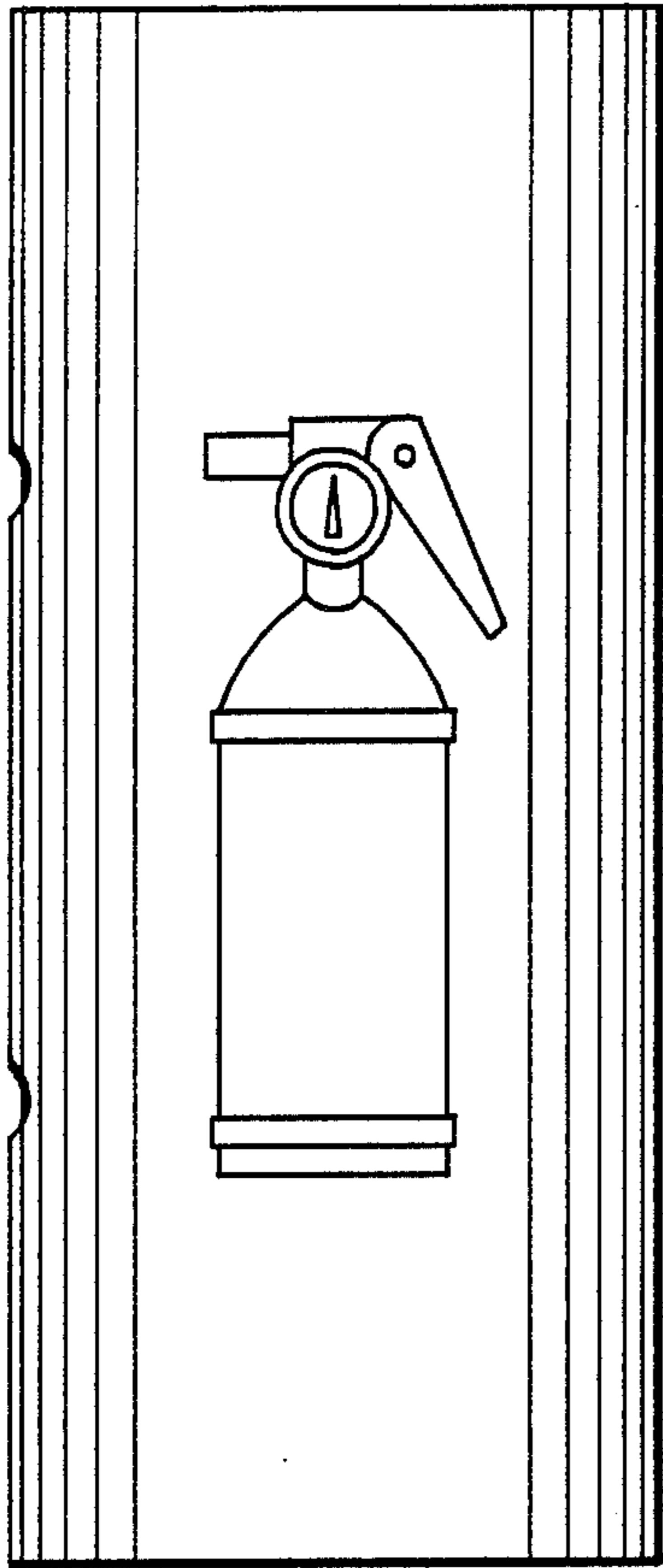


Fig. 4

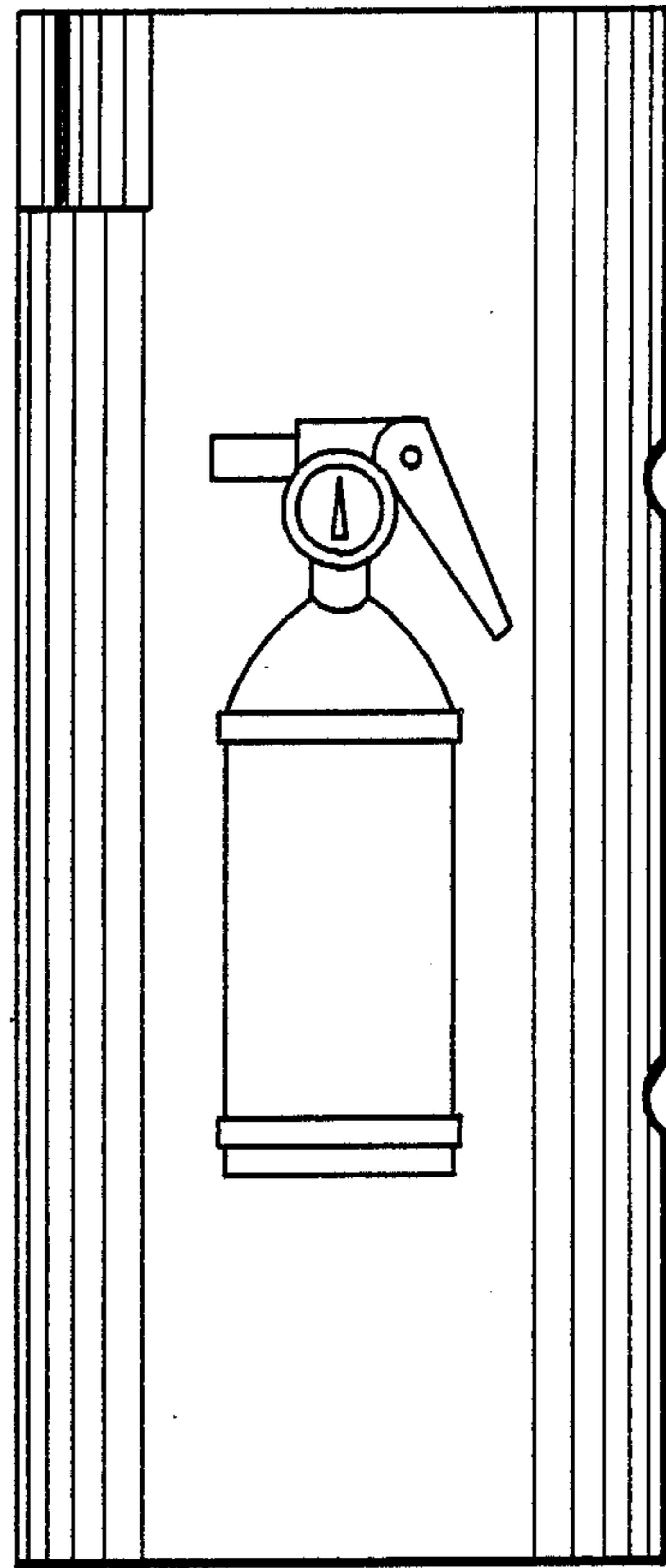


Fig. 5

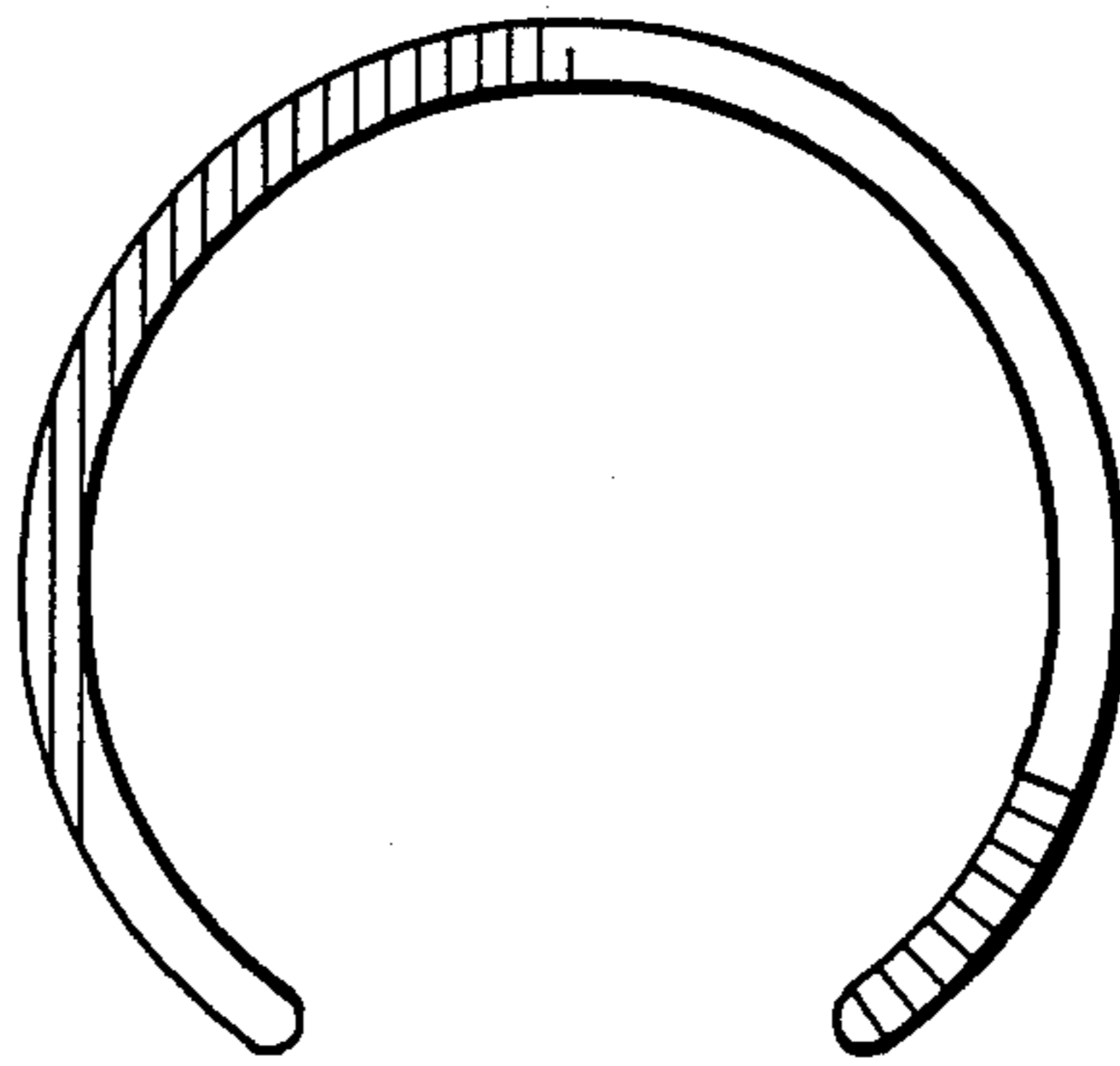


Fig. 6

Fig. 7

