

[54] LUMINAIRE

[75] Inventor: Brian V. Titmarsh, Barrington, R.I.

[73] Assignee: GTE Products Corporation, Danvers, Mass.

[**] Term: 14 Years

[21] Appl. No.: 22,706

[22] Filed: Mar. 5, 1987

[52] U.S. Cl. D26/24; D26/63

[58] Field of Search D26/60-66, D26/24; 362/431, 147, 362, 370-373, 310, 311, 269, 275, 287, 418, 419, 427, 428

[56] References Cited

U.S. PATENT DOCUMENTS

- D. 210,617 3/1968 Starr et al. D26/63
- D. 211,391 6/1968 Pettingill D26/63
- D. 297,670 9/1988 Douenias D26/63
- D. 300,864 4/1989 Titmarsh D26/24

- 3,711,702 1/1973 Adra D26/63 X
- 4,323,953 4/1982 Hutchison D26/61 X
- 4,405,974 9/1983 Quiogue 362/362

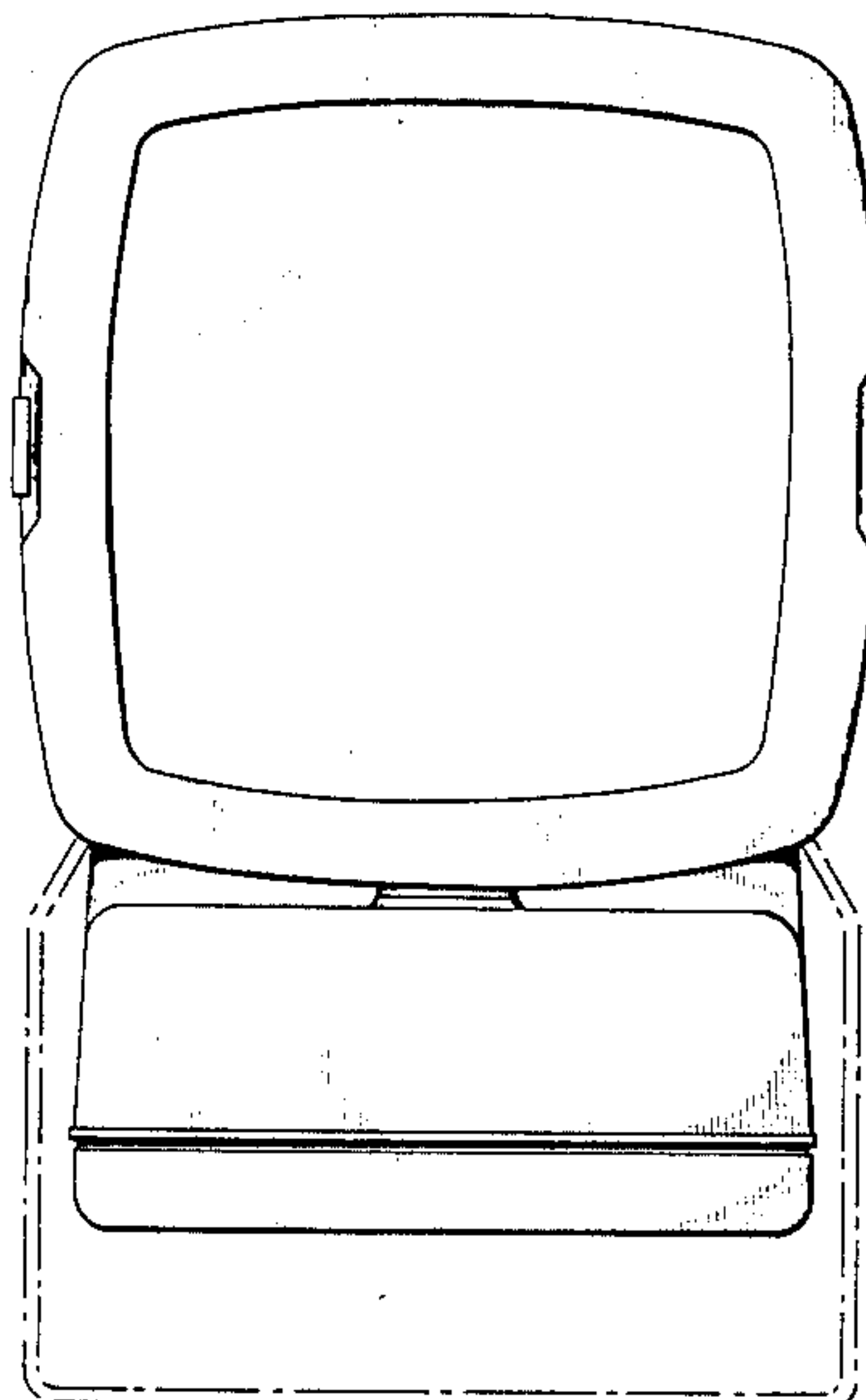
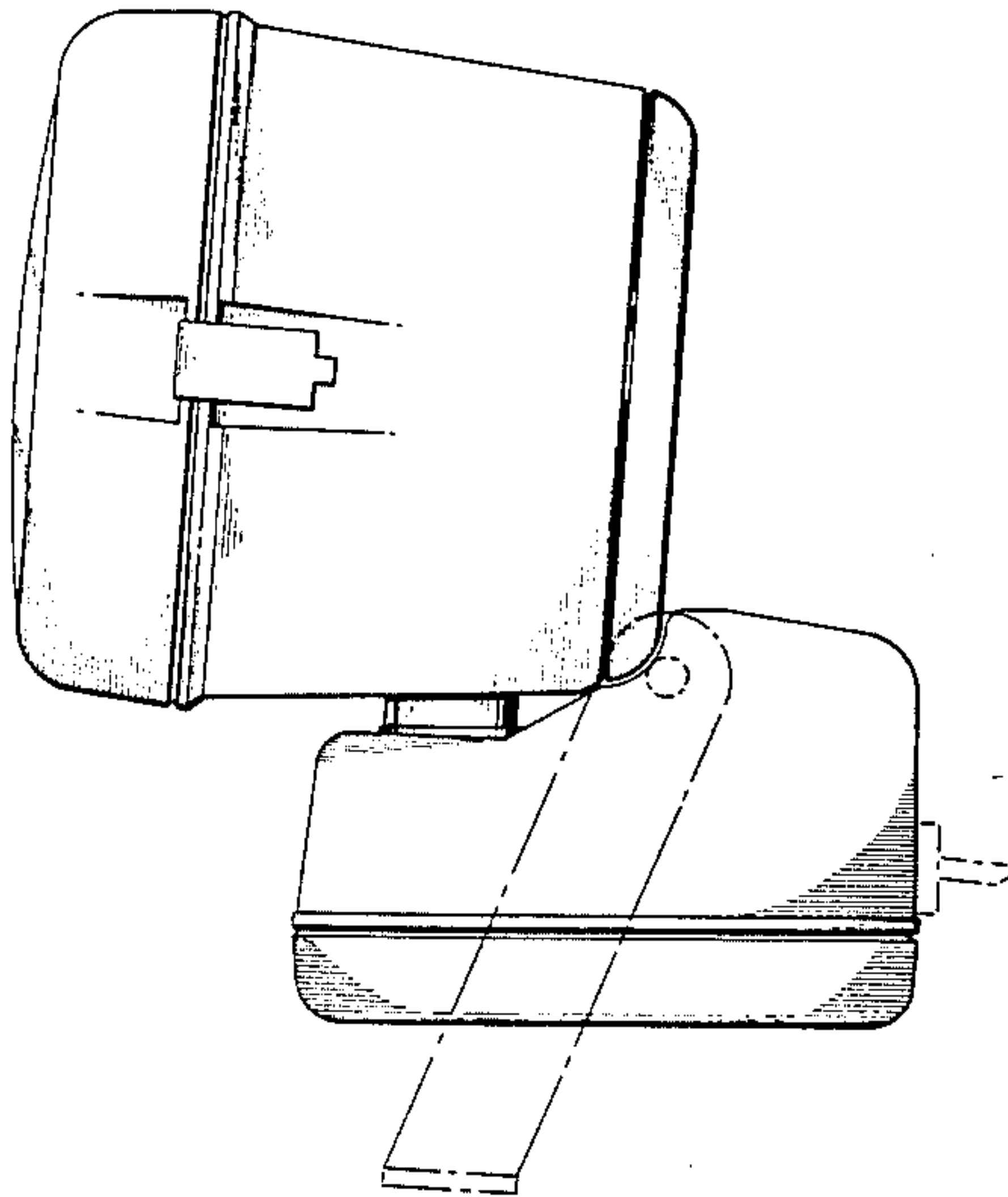
Primary Examiner—Susan J. Lucas
Attorney, Agent, or Firm—Lawrence R. Fraley; William E. Meyer

[57] CLAIM

The ornamental design for a luminaire, as shown and described.

DESCRIPTION

FIG. 1 is a side elevational view of a luminaire showing my new design, the opposite side being a mirror image; FIG. 2 is a front elevational view thereof; FIG. 3 is a rear elevational view thereof; FIG. 4 is a top plan view thereof; and FIG. 5 is a bottom plan view thereof. The showing (in phantom) of a support bracket and connecting wire (in all FIGS.) is for the purpose of illustrating environmental use only.



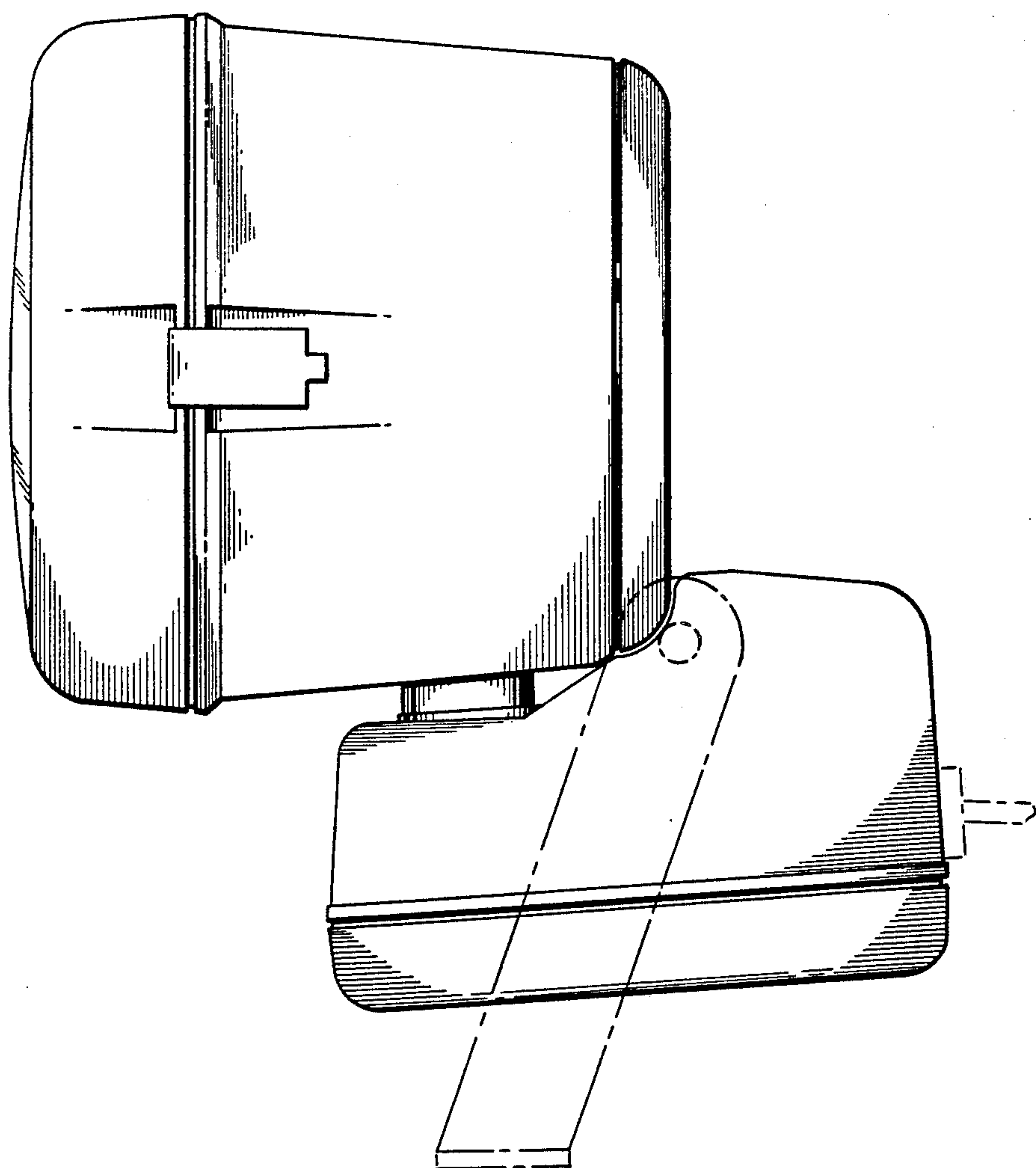


FIG. 1

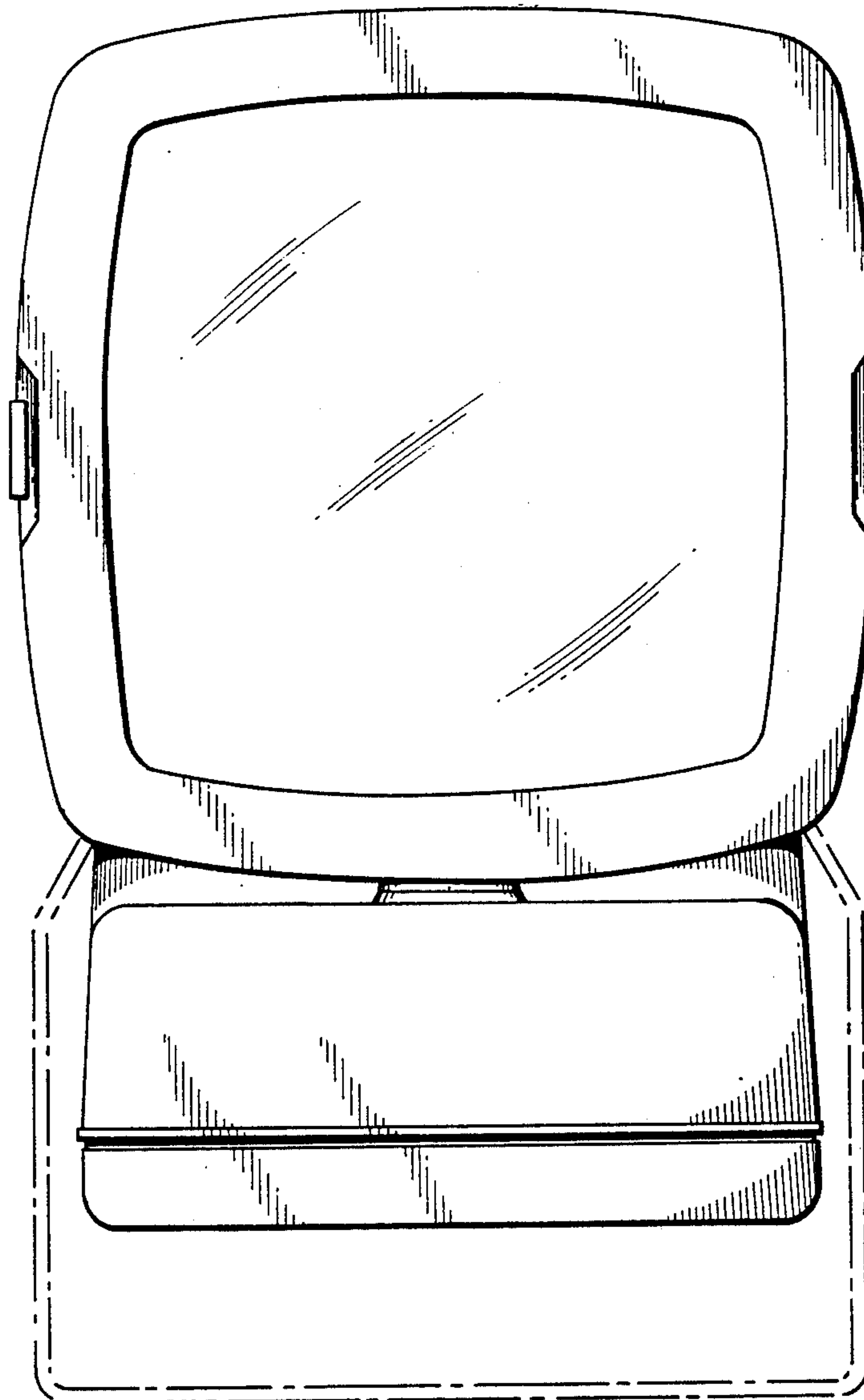


FIG. 2

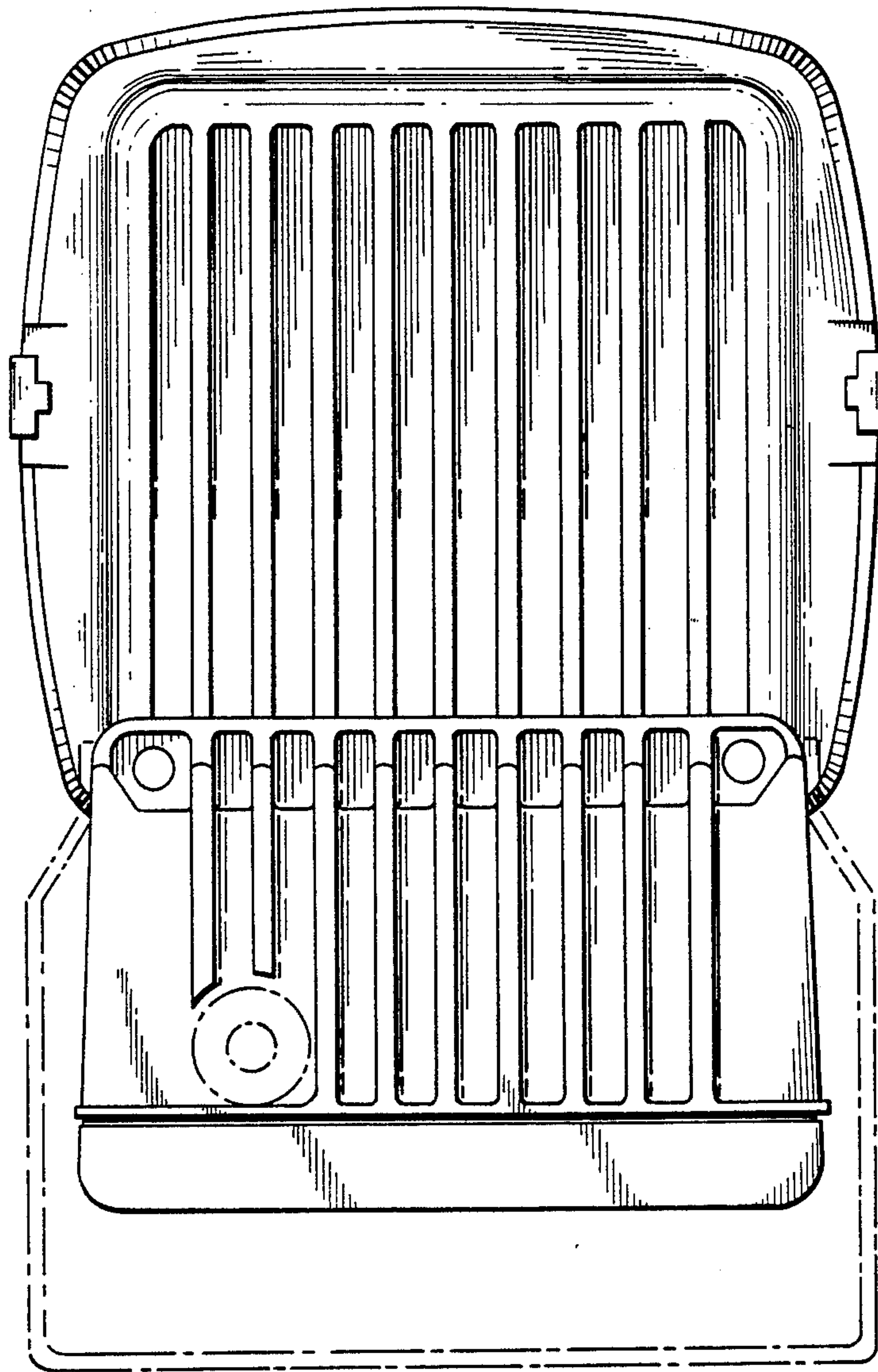


FIG. 3

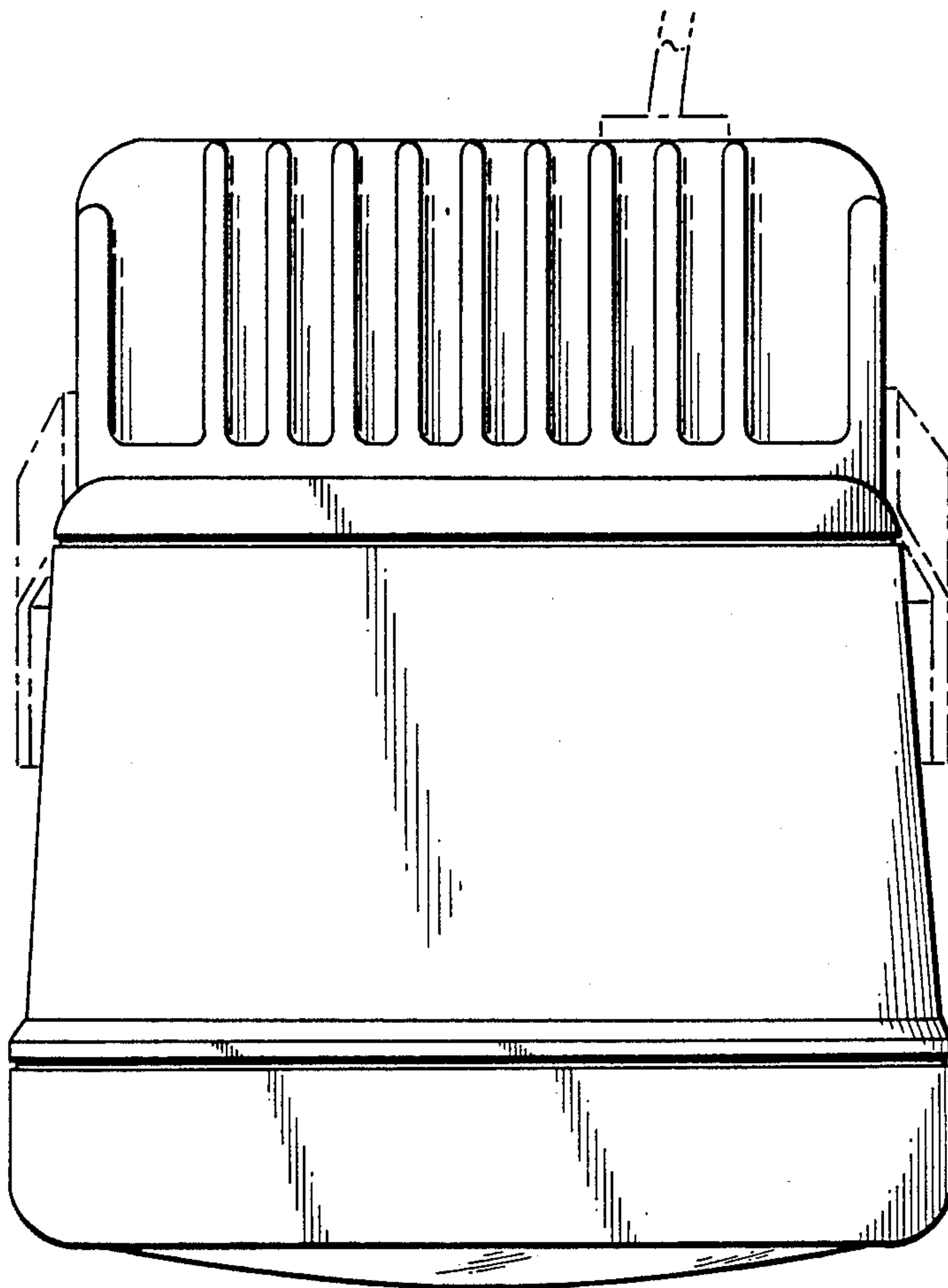


FIG. 4

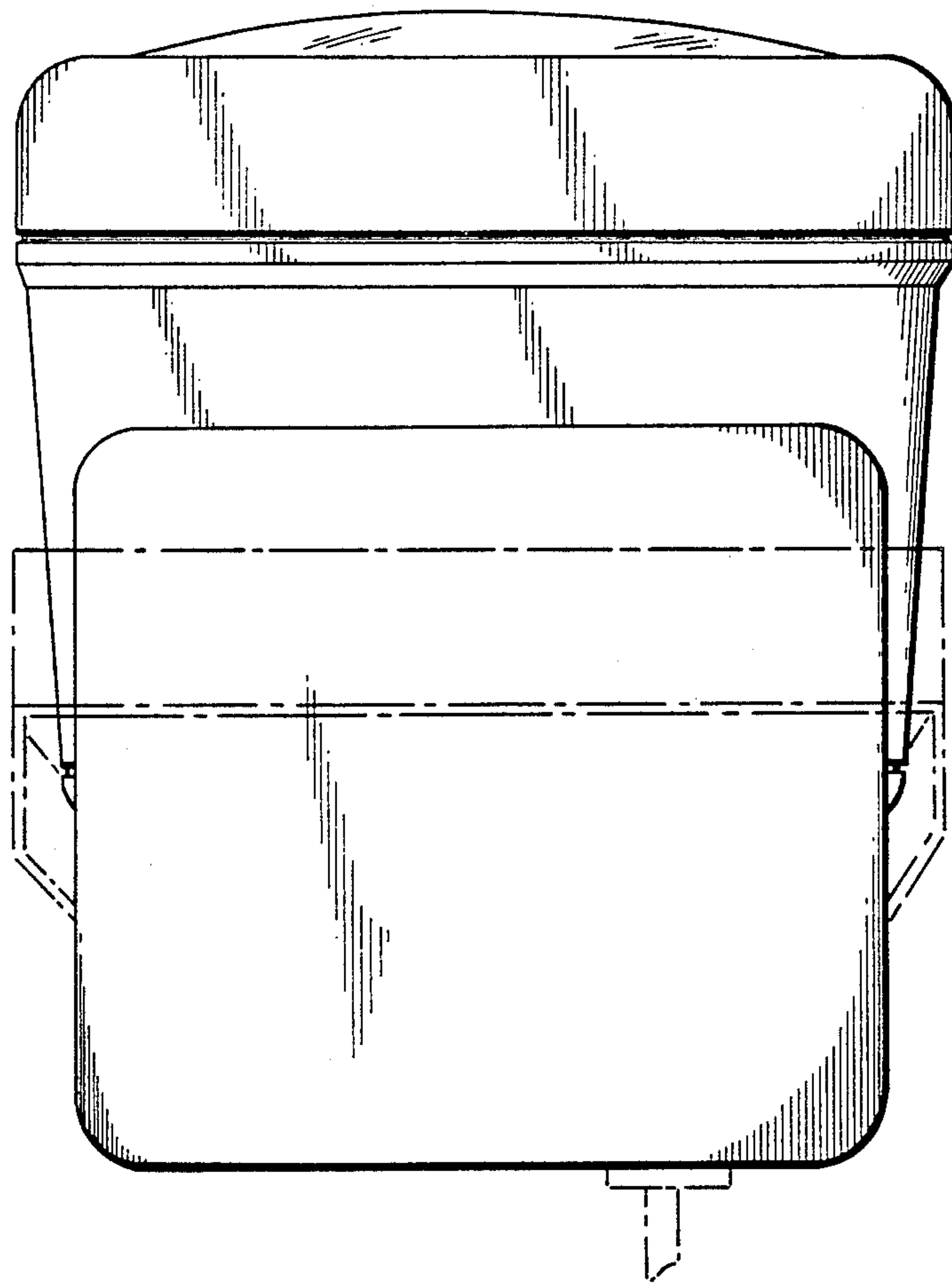


FIG. 5