

[54] OIL LAMP

D. 290,046 5/1987 Reeves et al. D26/11
3,790,332 2/1974 Wollard 431/291 X

[75] Inventor: David R. Perkins, Manchester, Mass.

[73] Assignee: Glass Dimensions, Inc., Essex, Mass.

[**] Term: 14 Years

[21] Appl. No.: 140,311

[22] Filed: Dec. 31, 1987

[52] U.S. Cl. D26/11; D26/104

[58] Field of Search D26/9-15,
D26/20-23, 93, 104, 105, 110, 111, 112;
D11/143, 146, 147, 155; 431/288-297, 310, 311,
320-324, 125, 126; 362/159, 161, 163, 180, 806

[56] References Cited

U.S. PATENT DOCUMENTS

D. 230,877 3/1974 Alberti D26/11
D. 266,877 11/1982 Wheeler D26/11
D. 271,046 10/1983 Perkins D26/104

OTHER PUBLICATIONS

Horchow Collection, 6-7-1977, p. 17, Candle Lamps.
Gifts & Decorative Accessories, 9-1971, p. 116, Candle
Lamp #496.

Primary Examiner—Susan J. Lucas

Attorney, Agent, or Firm—Nutter, McClennen & Fish

[57] CLAIM

The ornamental design for an oil lamp, as shown and
described.

DESCRIPTION

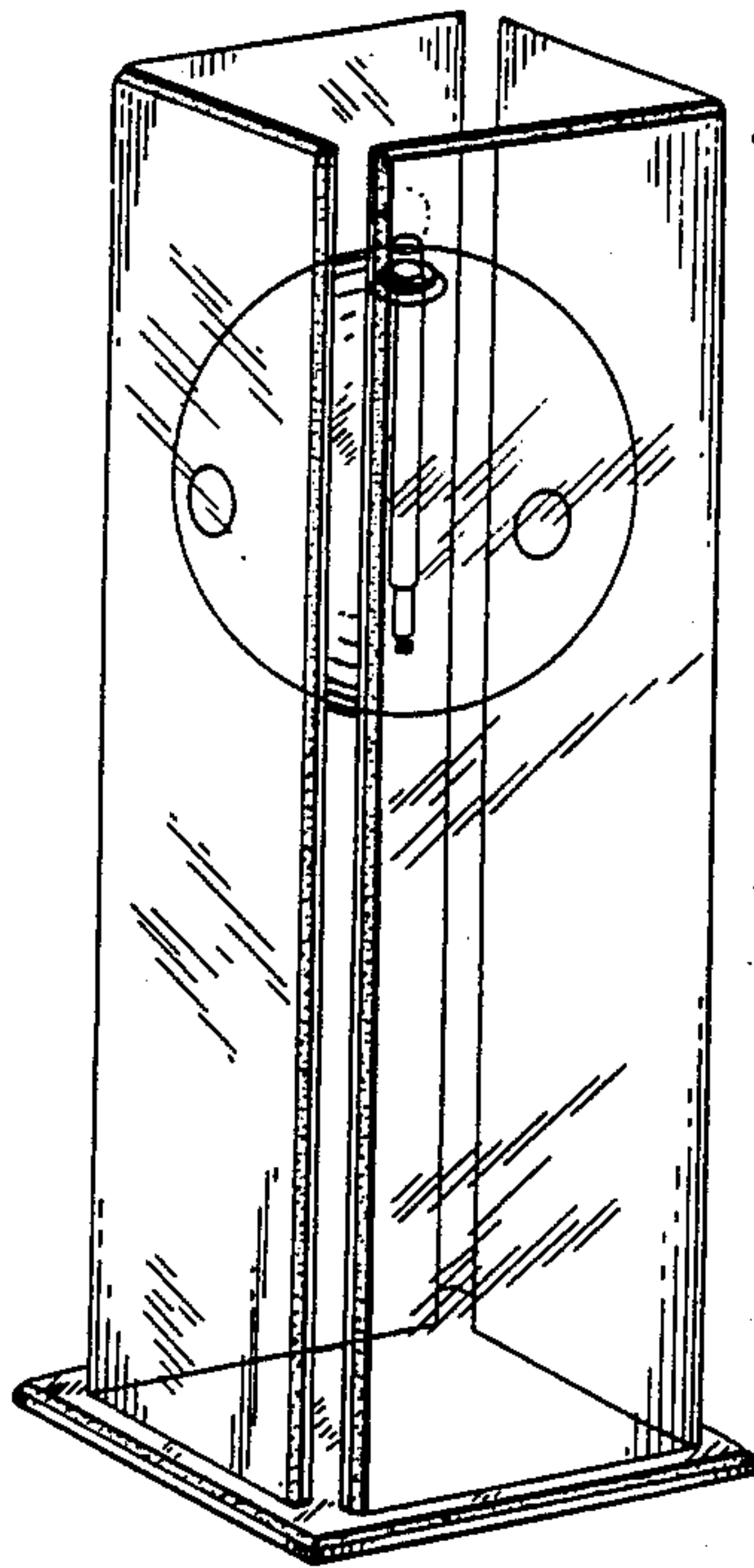
FIG. 1 is a perspective view of an oil lamp embodying
my new design;

FIG. 2 is a front elevational view thereof;

FIG. 3 is a top plan view thereof;

FIG. 4 is a bottom plan view thereof; and

The rear and two sides are the same as the front.



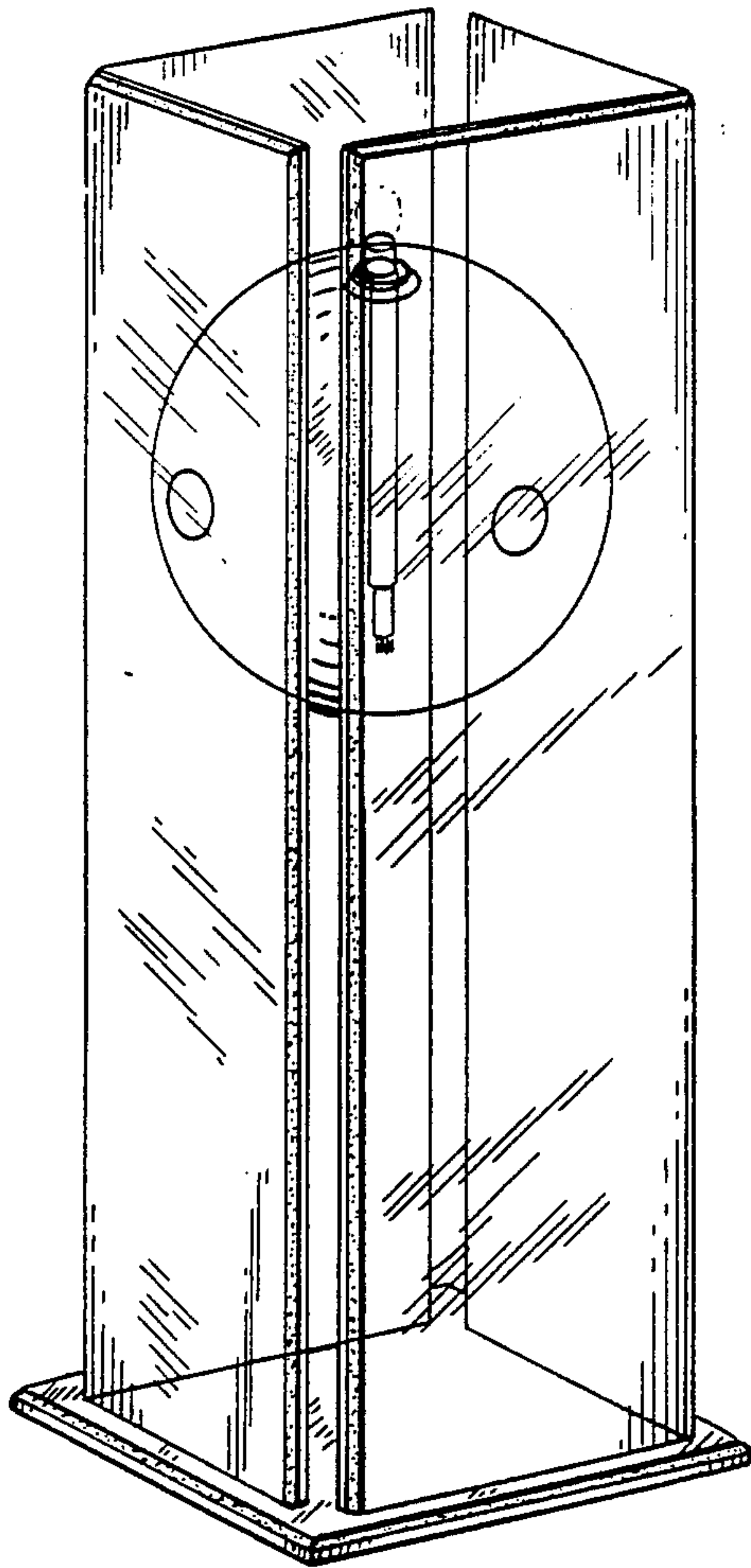


FIG. 1

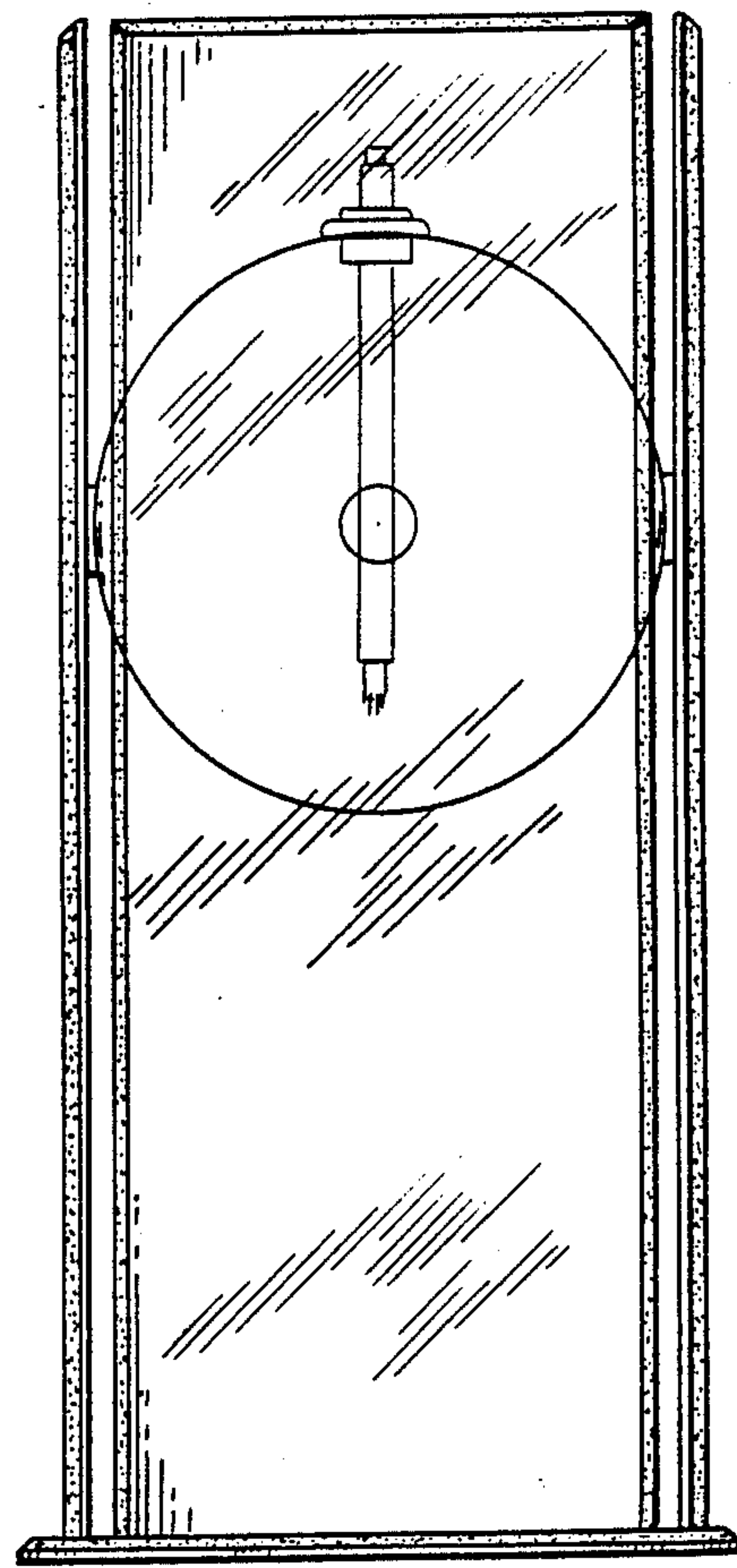


FIG. 2

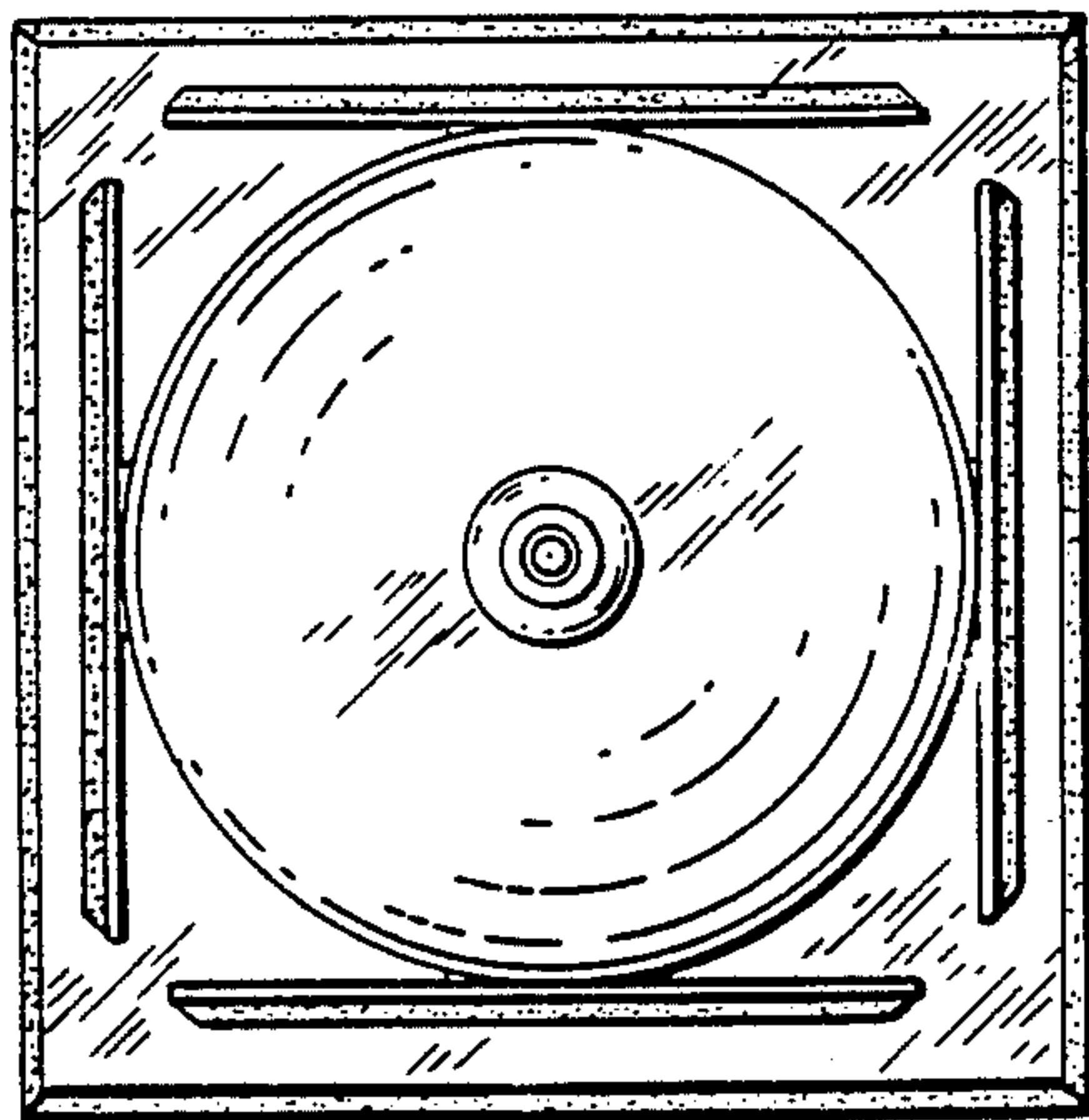


FIG. 3

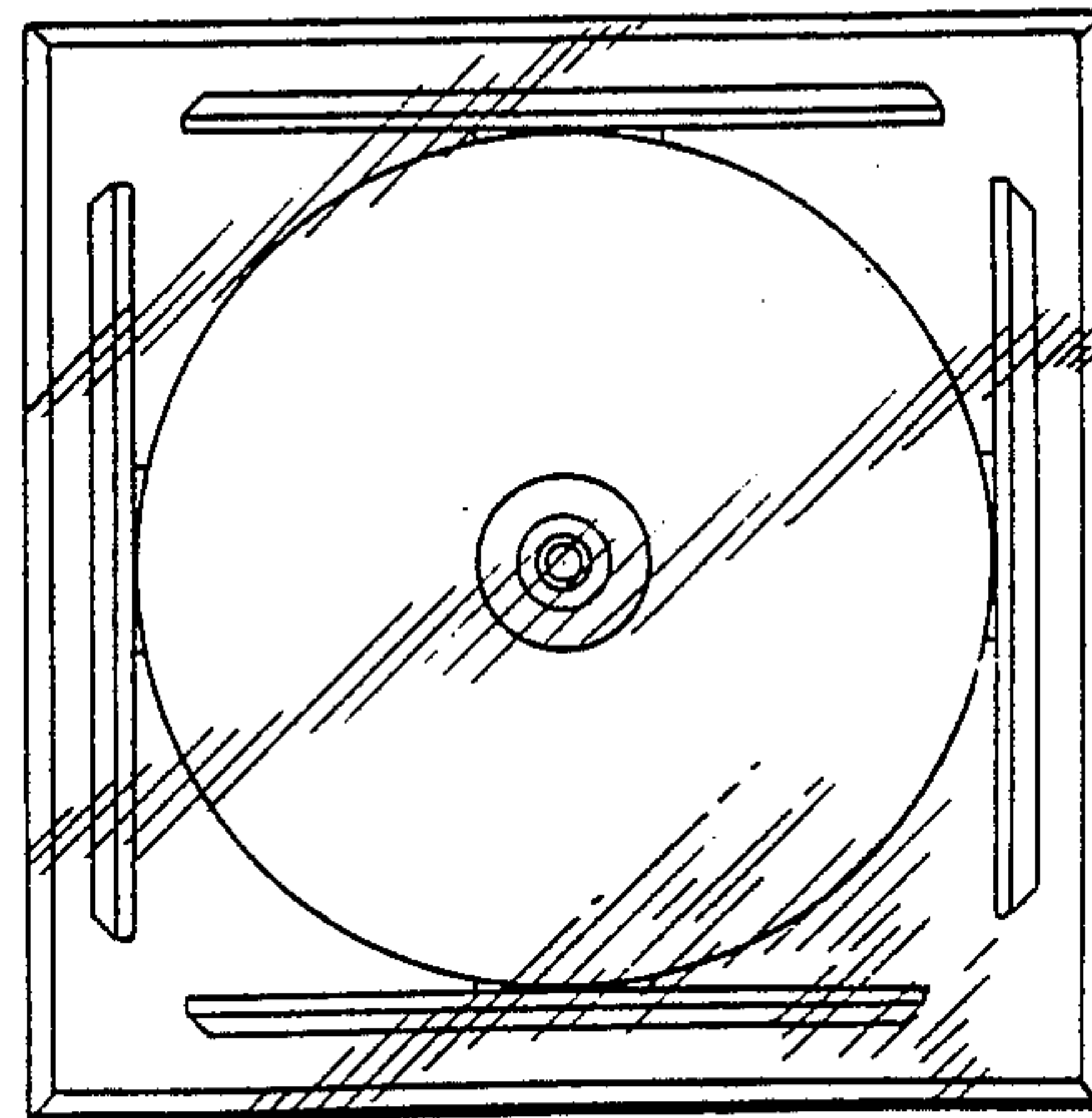


FIG. 4