

[54] NEEDLE COVER

[76] Inventor: June C. Cook, Rte. 1, Box 260, Altus, Ark. 72821

[**] Term: 14 Years

[21] Appl. No.: 118,422

[22] Filed: Nov. 9, 1987

[52] U.S. Cl. D24/25

[58] Field of Search D24/25, 24; 604/192, 604/197, 198, 199, 187, 263; 206/366

[56] References Cited

U.S. PATENT DOCUMENTS

- D. 284,030 5/1986 McFarlane D24/25
- D. 297,570 9/1988 Ambrose et al. D24/25
- 2,956,563 10/1960 Sarnoff D24/24 X

Primary Examiner—A. Hugo Word
Assistant Examiner—Stella M. Reid
Attorney, Agent, or Firm—Stephen D. Carver

[57] CLAIM

The ornamental design for a needle cover, as shown and described.

DESCRIPTION

FIG. 1 is a perspective view of a needle cover, showing my new design; the broken line showing of the syringe is for illustrative purposes only and forming no part of the claimed design;

FIG. 2 is a side elevational view thereof, the opposite side being a mirror image thereof;

FIG. 3 is a top plan view thereof; and,

FIG. 4 is a bottom plan view thereof.

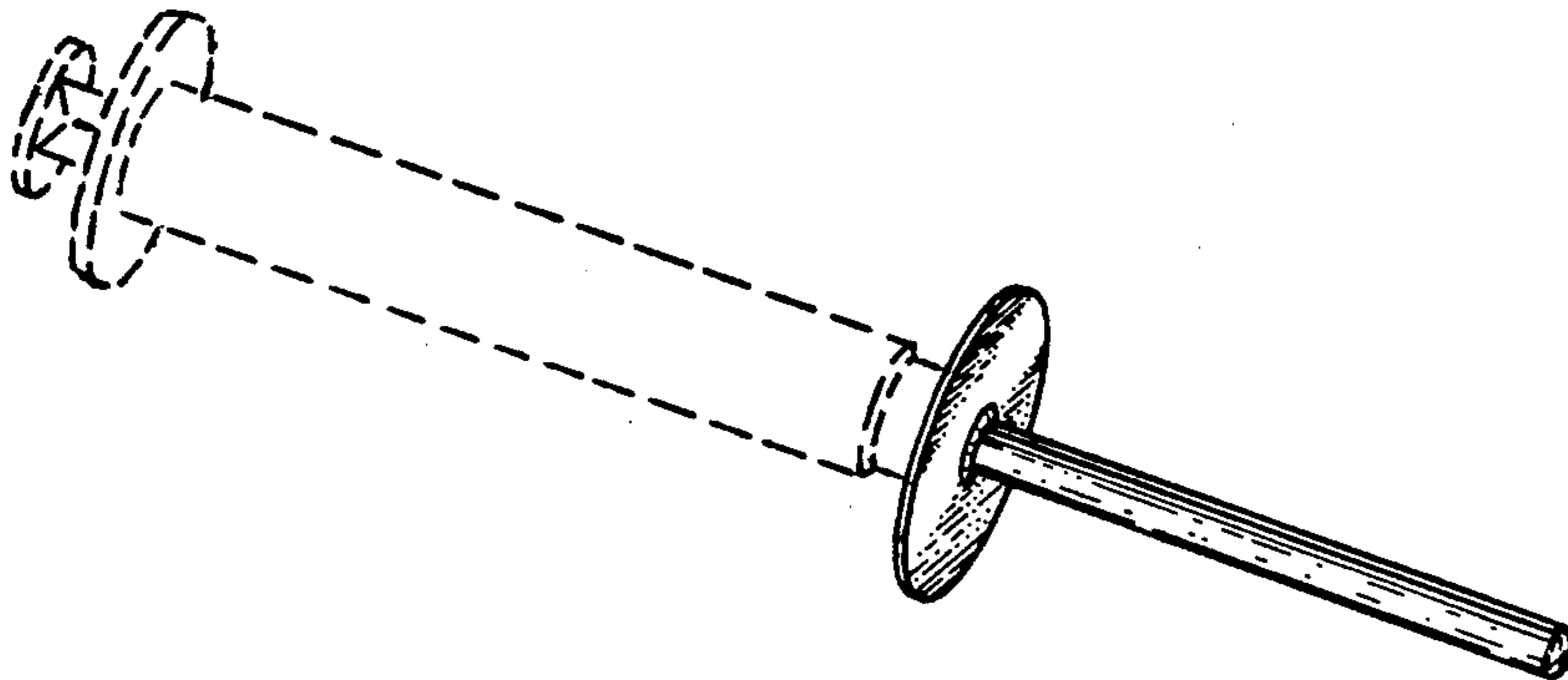


FIG. 1

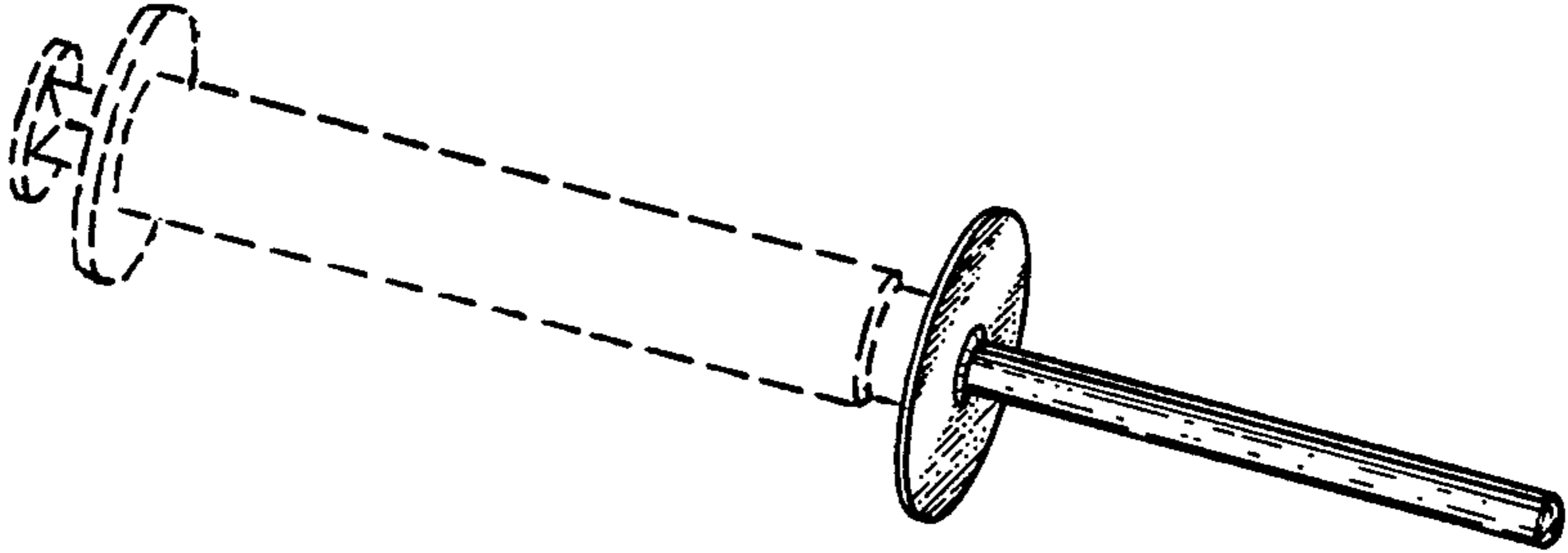


FIG. 2

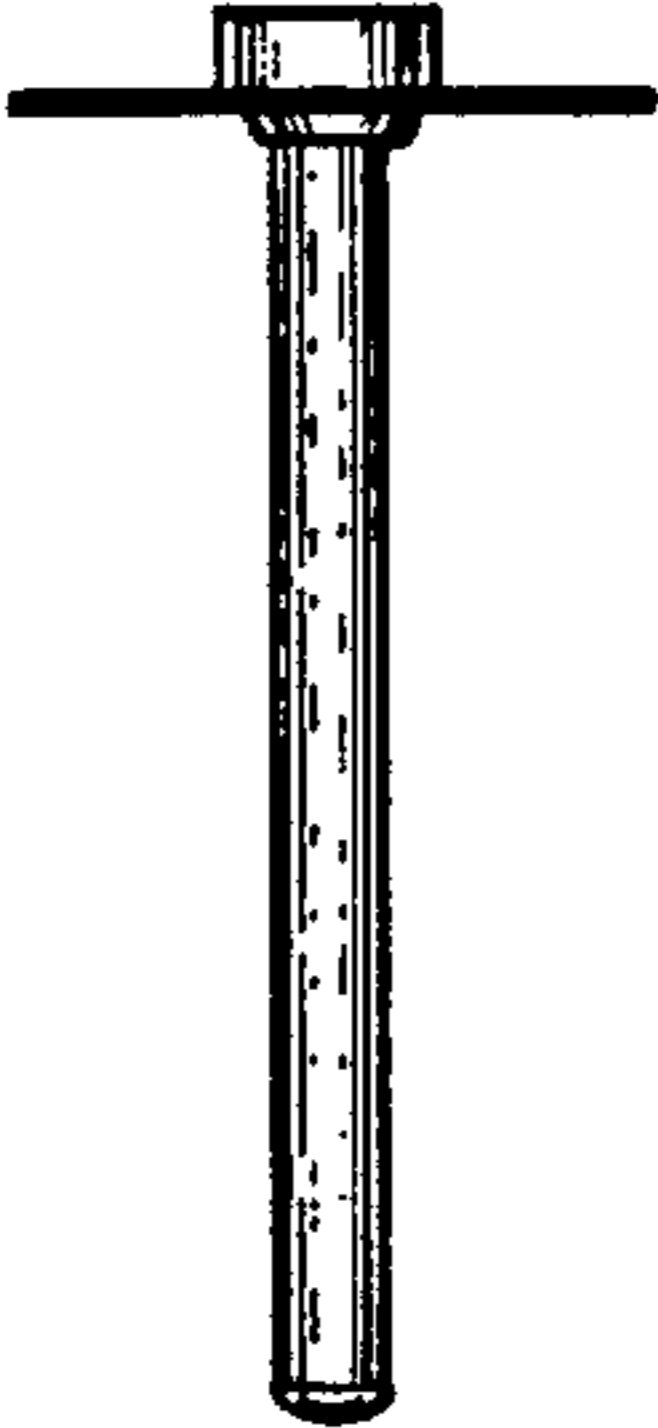


FIG. 3

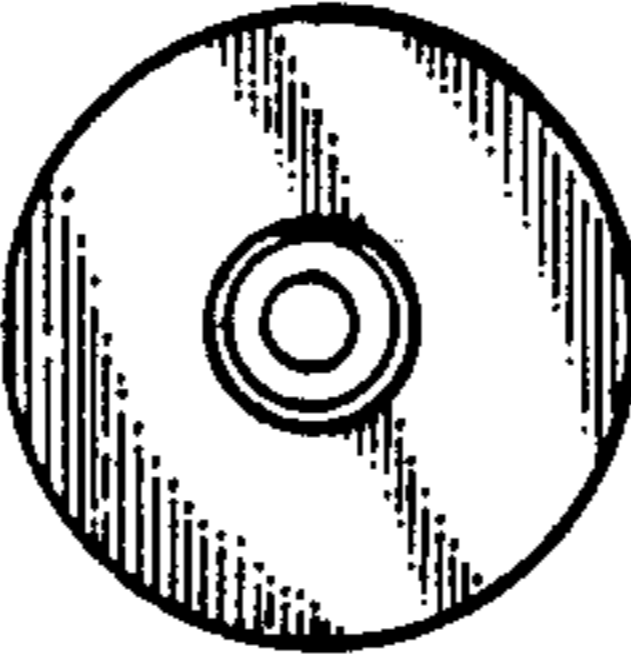


FIG. 4

