

[54] AIR FLOW DIRECTING AND CONTROLLING FIXTURE FOR HEATING AND VENTILATING DEVICES

[75] Inventor: Joachim Schulz, Amorbach, Fed. Rep. of Germany

[73] Assignee: AURORA Konrad G. Schulz GmbH & Co., Mudau, Fed. Rep. of Germany

[**] Term: 14 Years

[21] Appl. No.: 42,415

[22] Filed: Apr. 24, 1987

[30] Foreign Application Priority Data

Oct. 24, 1986 [DE] Fed. Rep. of Germany MR II 517/BU

[52] U.S. Cl. D23/392

[58] Field of Search D23/324, 327, 392, 387; 98/2, 40.24, 40.29; 52/302, 303, 663

[56] References Cited

U.S. PATENT DOCUMENTS

D. 285,480 9/1986 Schulz D23/392
D. 288,959 3/1987 Schulz D23/392
3,683,787 8/1972 Cary 98/40.29

3,762,303 10/1973 Hoffman 98/2

FOREIGN PATENT DOCUMENTS

76841 4/1986 Japan 98/2
1549177 7/1979 United Kingdom 98/40.24

Primary Examiner—James M. Gandy
Assistant Examiner—Lisa Lichtenstein
Attorney, Agent, or Firm—Becker & Becker, Inc.

[57] CLAIM

The ornamental design for an air flow directing and controlling fixture for heating and ventilating devices, as shown and described.

DESCRIPTION

FIG. 1 is a top plan view of an air flow directing and controlling fixture for heating and ventilating devices, with the louvers in the closed position, showing my new design;

FIG. 2 is a left end elevation view thereof, with the louvers in an open position, the opposite end being substantially a mirror image of that shown;

FIG. 3 is a cross sectional view thereof, taken along line 3—3 in FIG. 1 with the individual flaps being removed for convenience of illustration; and

FIG. 4 is a side elevation view thereof with the louvers in a completely open position, the opposite side being a mirror image of that shown.

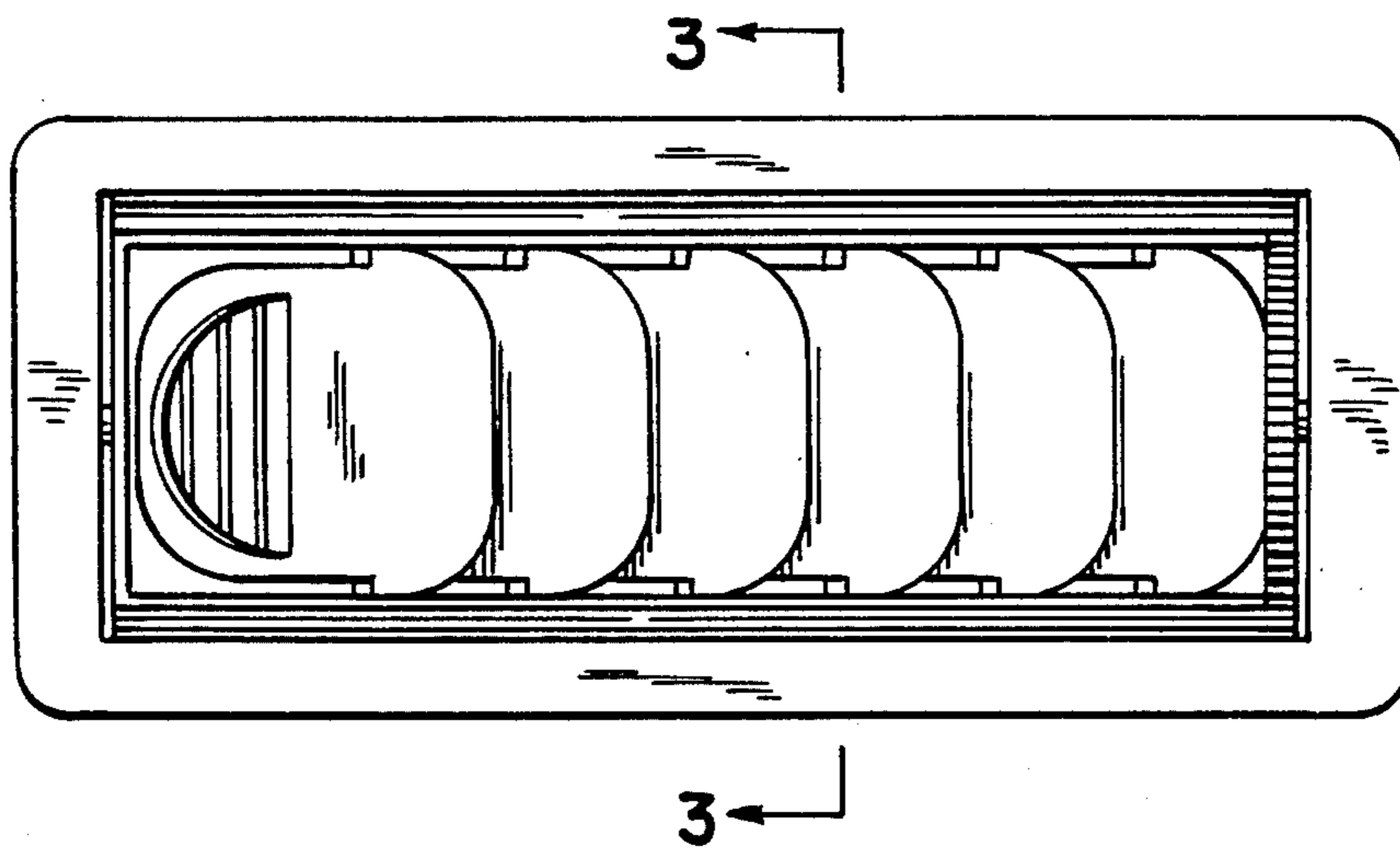


FIG-1

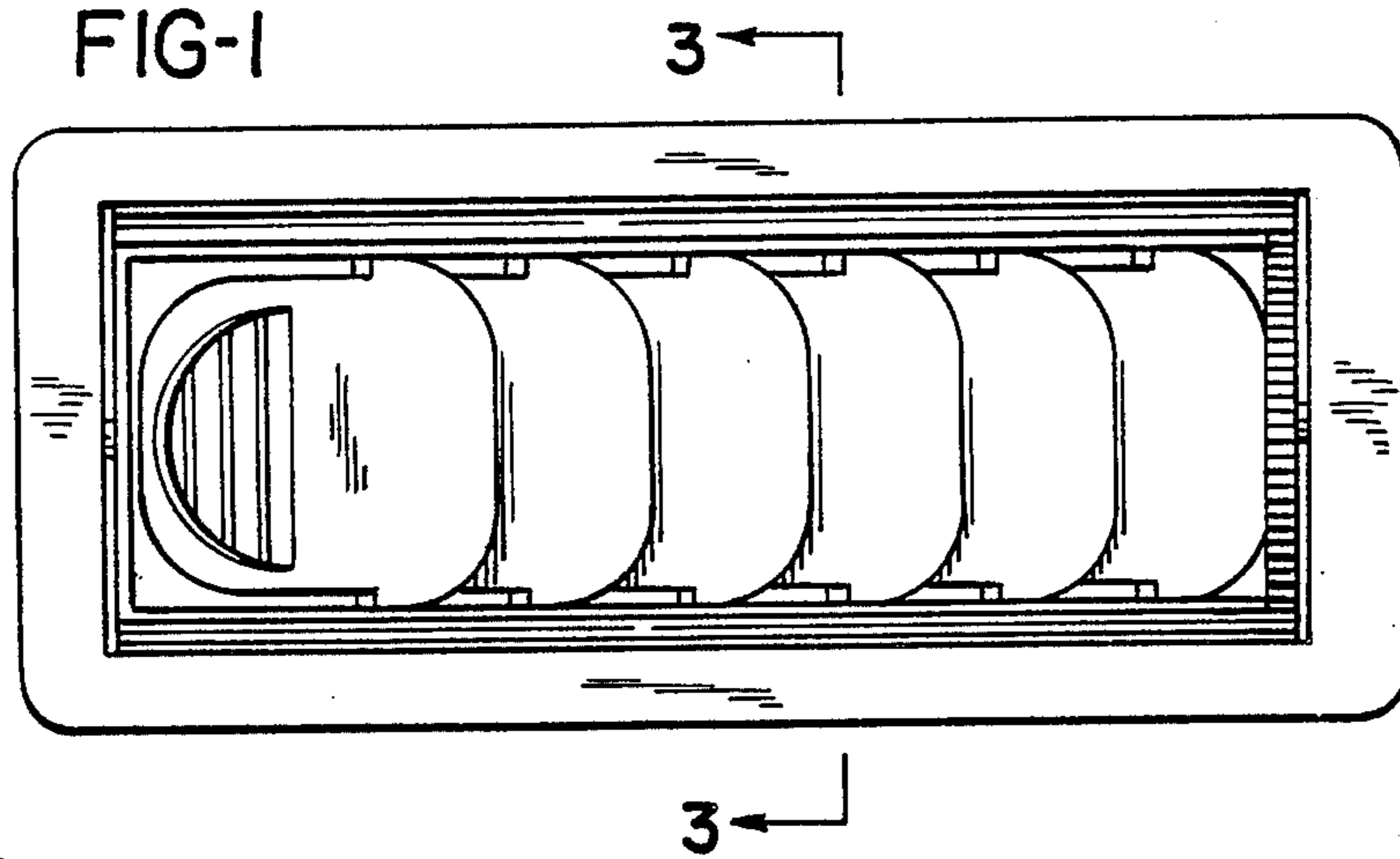


FIG-2

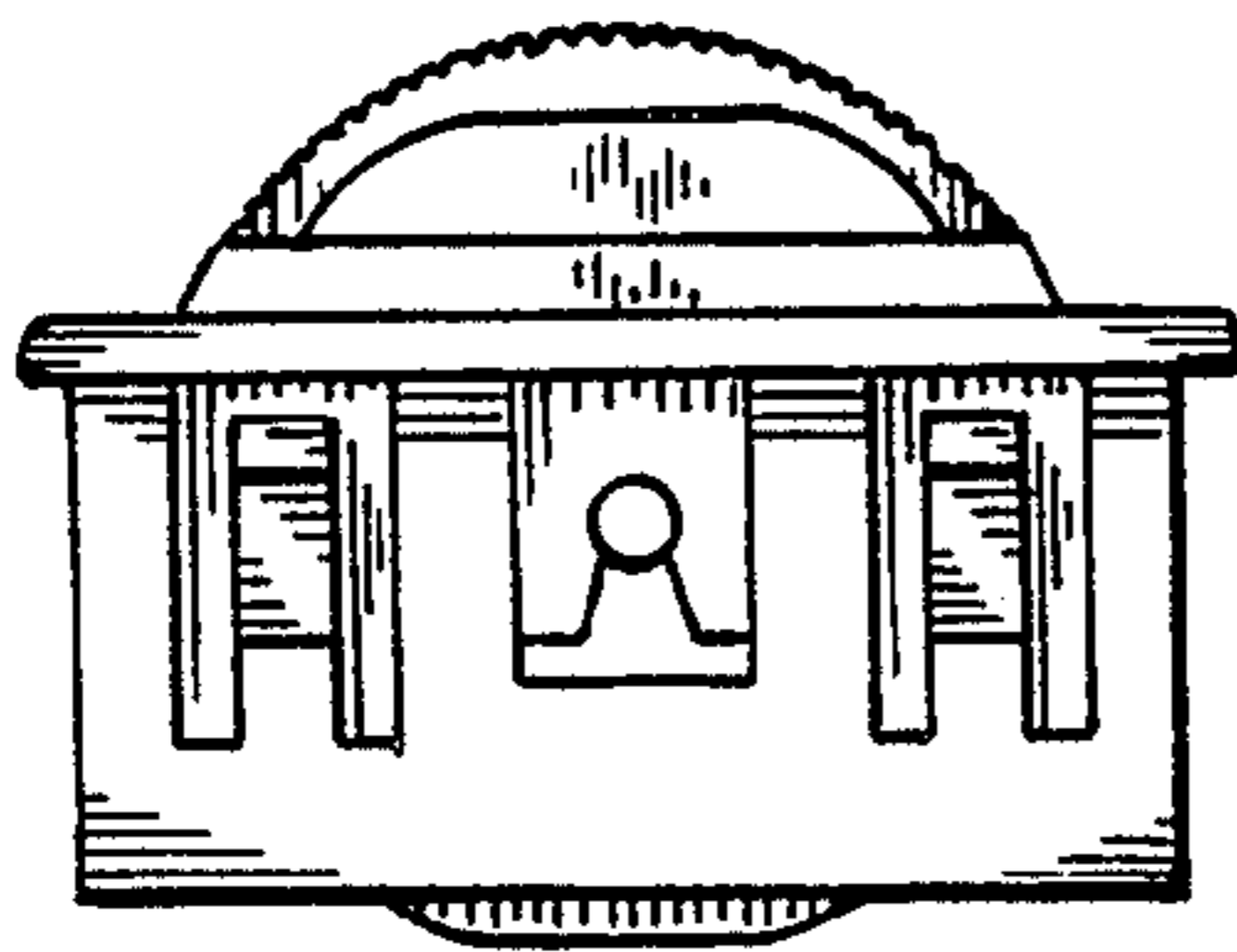


FIG-3

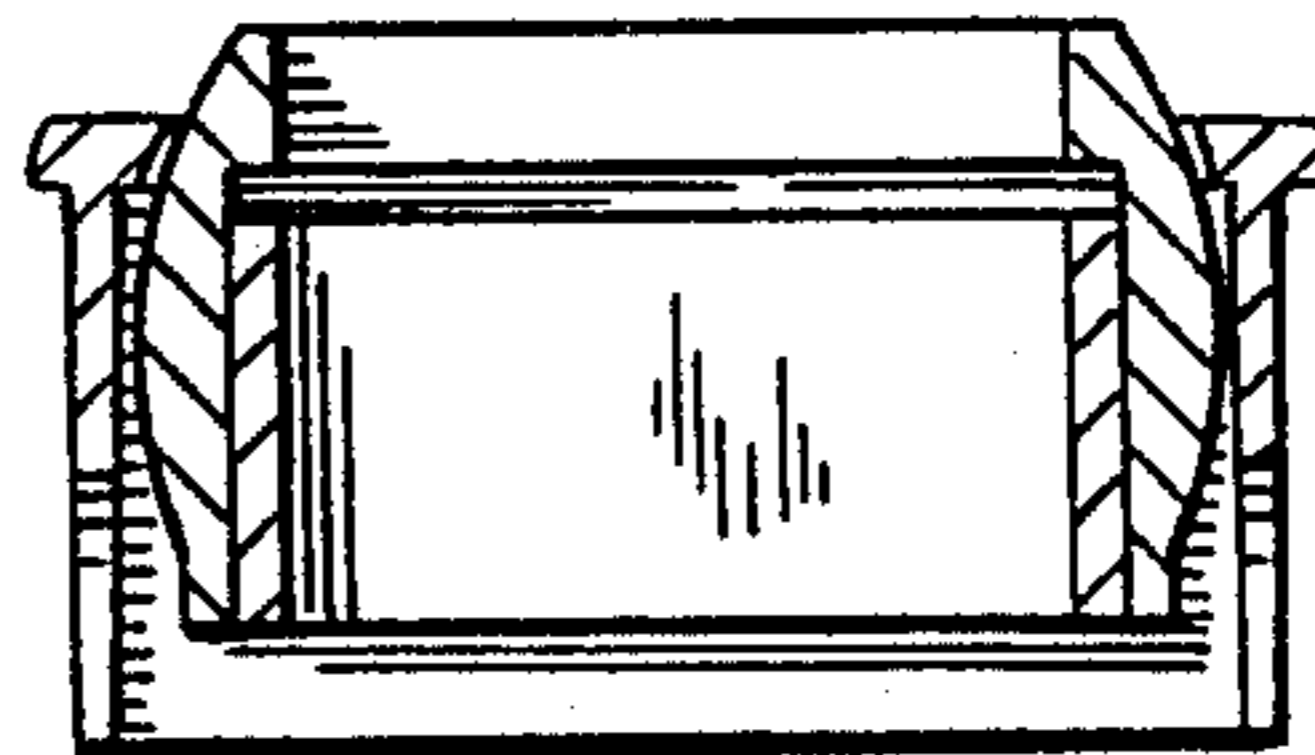


FIG-4

