

[54] COMBINED SOAP HOLDING CAVITY AND COVER FOR BATHTUBS

[75] Inventor: Harvey E. Diamond, Studio City, Calif.

[73] Assignee: Oasis Industries, Inc., Batavia, Ill.

[\*\*] Term: 14 Years

[21] Appl. No.: 38,345

[22] Filed: Apr. 14, 1987

1,491,953	4/1924	Hockett	4/628
2,572,463	10/1951	Fino	4/590 X
4,575,882	3/1986	Diamond	4/661
4,719,652	1/1988	Diamond	4/559

FOREIGN PATENT DOCUMENTS

319119	9/1929	United Kingdom	4/584
--------	--------	----------------	-------

Primary Examiner—James R. Largen

[57] CLAIM

The ornamental design for a combined soap holding cavity and cover for bathtubs, as shown and described.

DESCRIPTION

FIG. 1 is a perspective view of a combined soap holding cavity and cover for bathtubs showing my new design; FIG. 2 is an enlarged perspective view taken from the top and front thereof; FIG. 3 is another enlarged perspective view taken from the top and front thereof with the cover remove for convenience of illustration; FIG. 4 is a top plan view of FIG. 3; FIG. 5 is a front elevational view of FIG. 3; and FIG. 6 is a cross sectional view taken on line 6—6 of FIG. 5.

The broken line representation of a bathtub in FIG. 1 and the fragmentary broken line representation of bathtubs in FIGS. 2 through 6 are for purposes of illustration only and form no part of the claimed design.

Related U.S. Application Data

[63] Continuation-in-part of Ser. No. 572,626, Jan. 20, 1984.

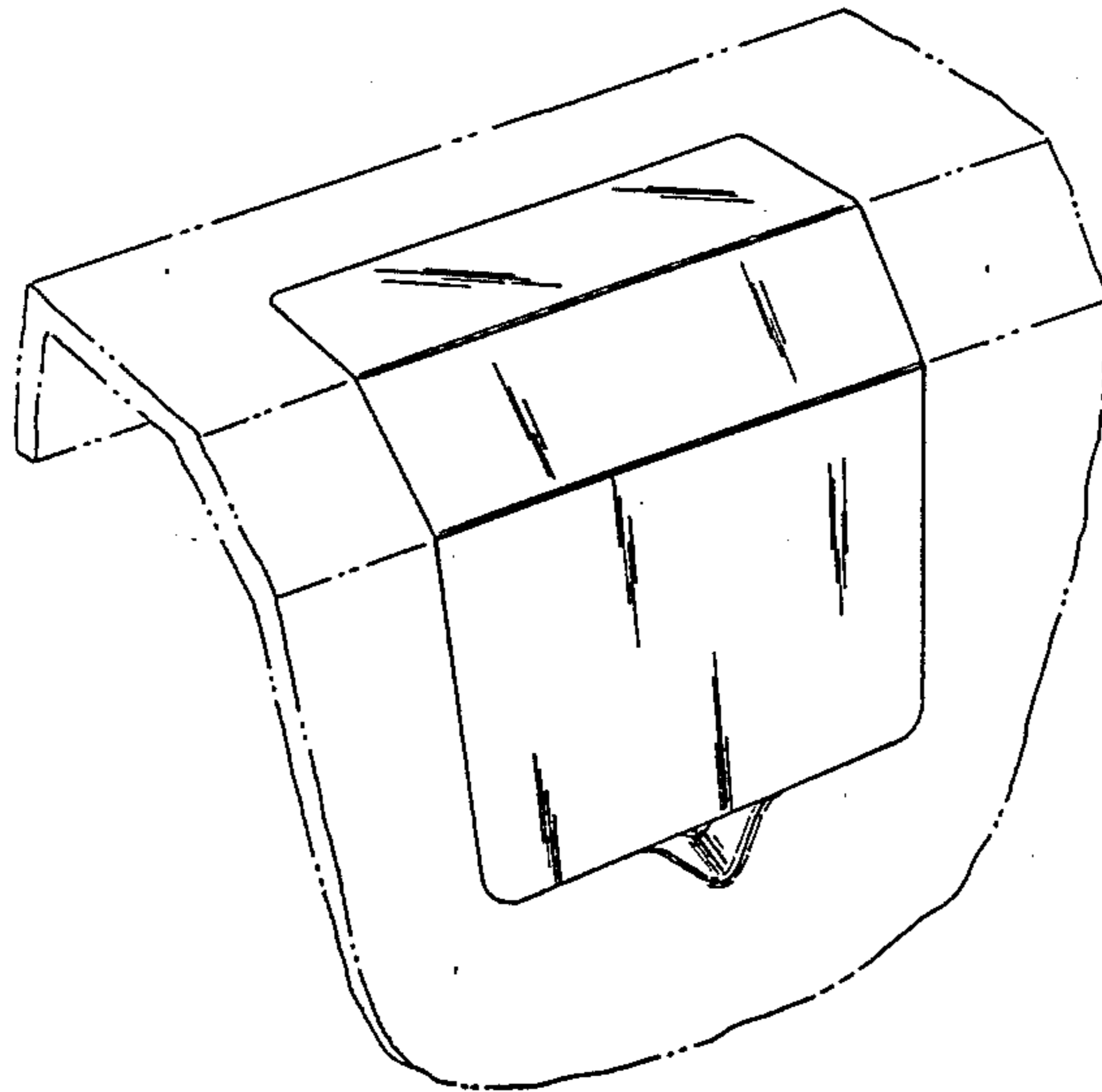
[52] U.S. Cl. .... D23/304

[58] Field of Search ..... aD23/277-283, aD23/303, 304; 4/204, 206, 488, 504, 507, 538, 542-544, 546, 548, 553, 557, 559, 580, 584, 590, 591, 628, 661

[56] References Cited

U.S. PATENT DOCUMENTS

D. 286,811	11/1986	Diamond	D23/281
D. 288,350	2/1987	Diamond	D23/280
D. 288,470	2/1987	Diamond	D23/277
D. 290,390	6/1987	Diamond	D23/281
D. 290,995	7/1987	Diamond	D23/304
D. 295,667	5/1988	Diamond	D23/281
D. 295,668	5/1988	Diamond	D23/281



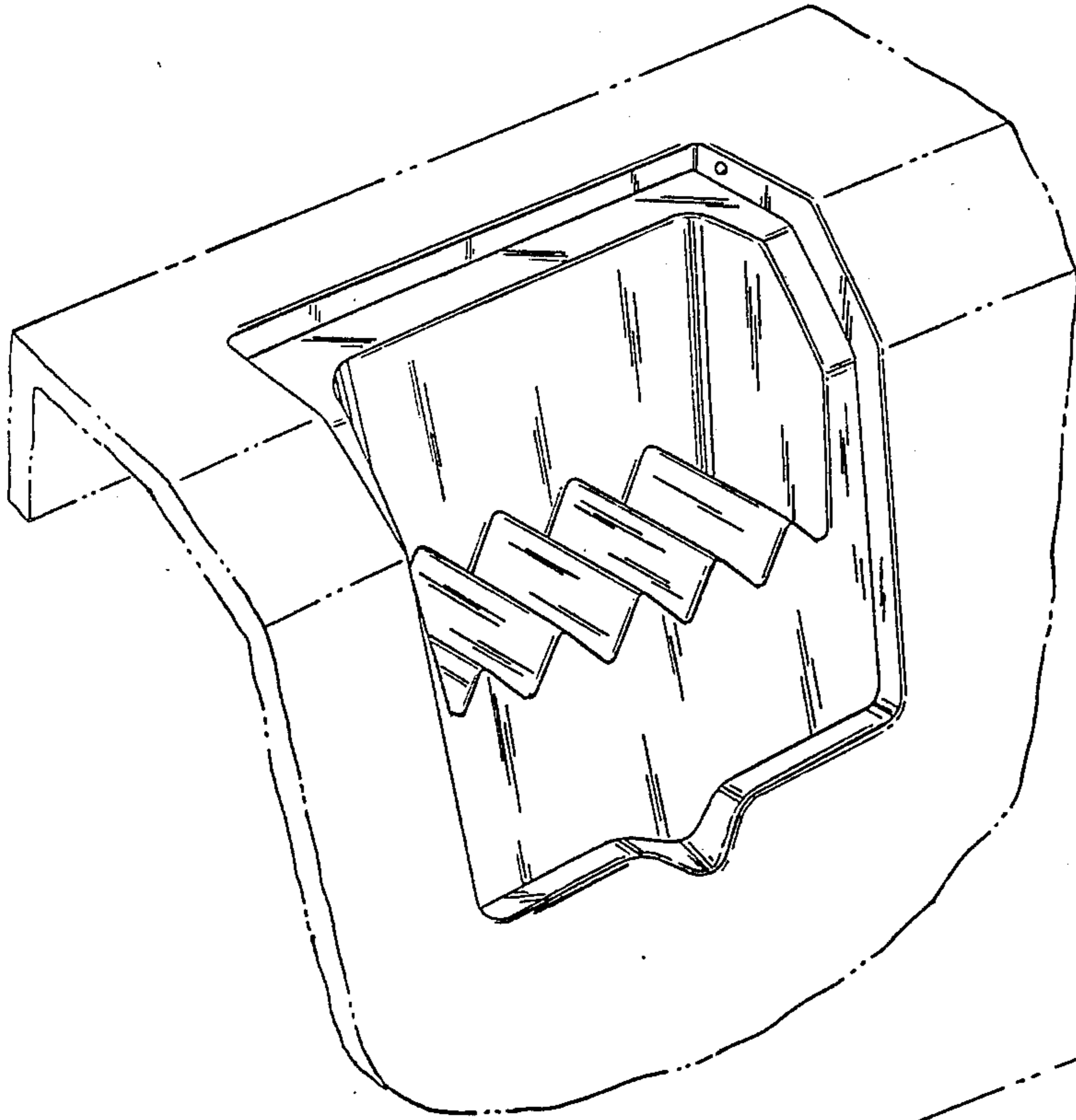


FIG. 3

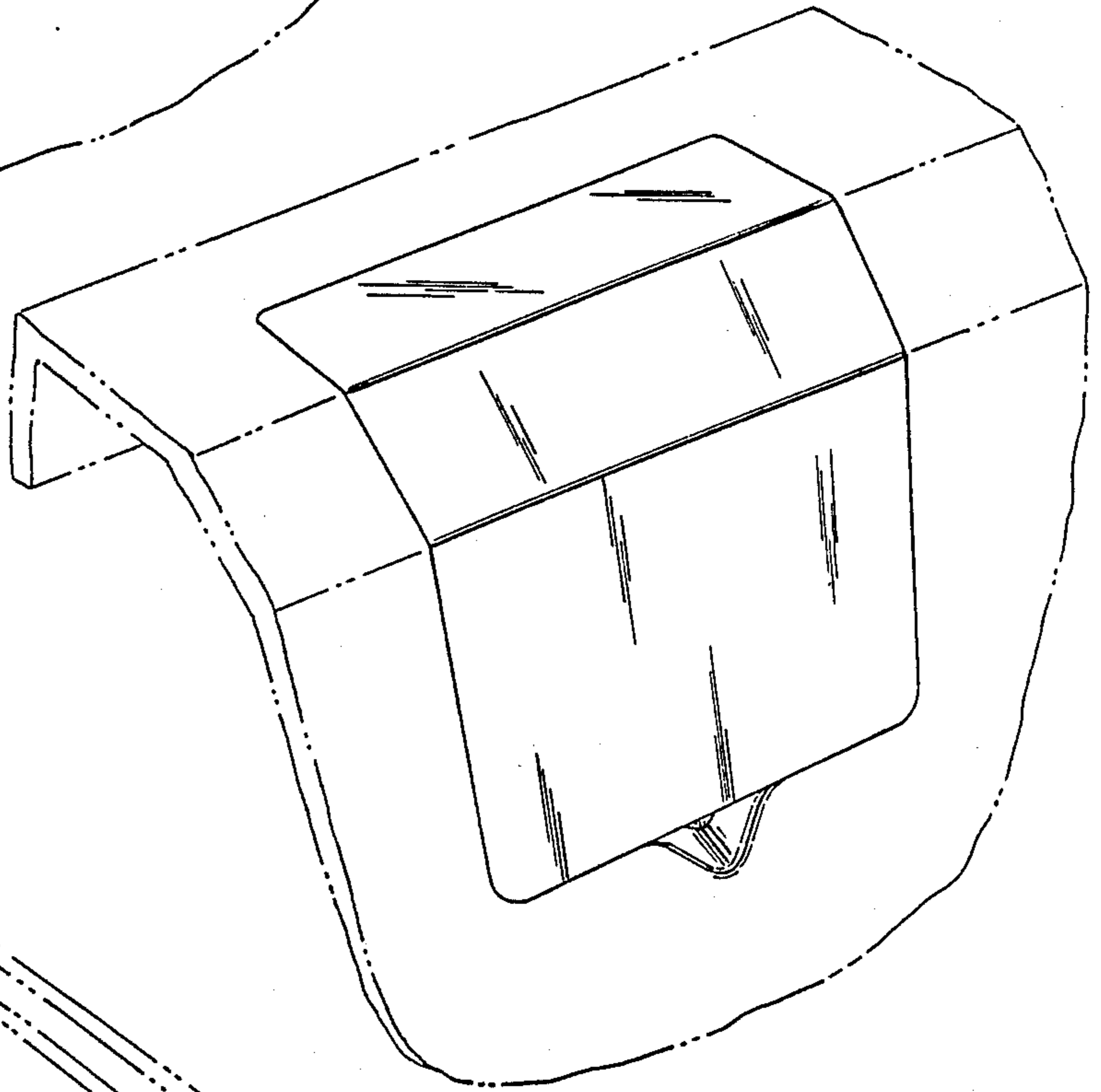
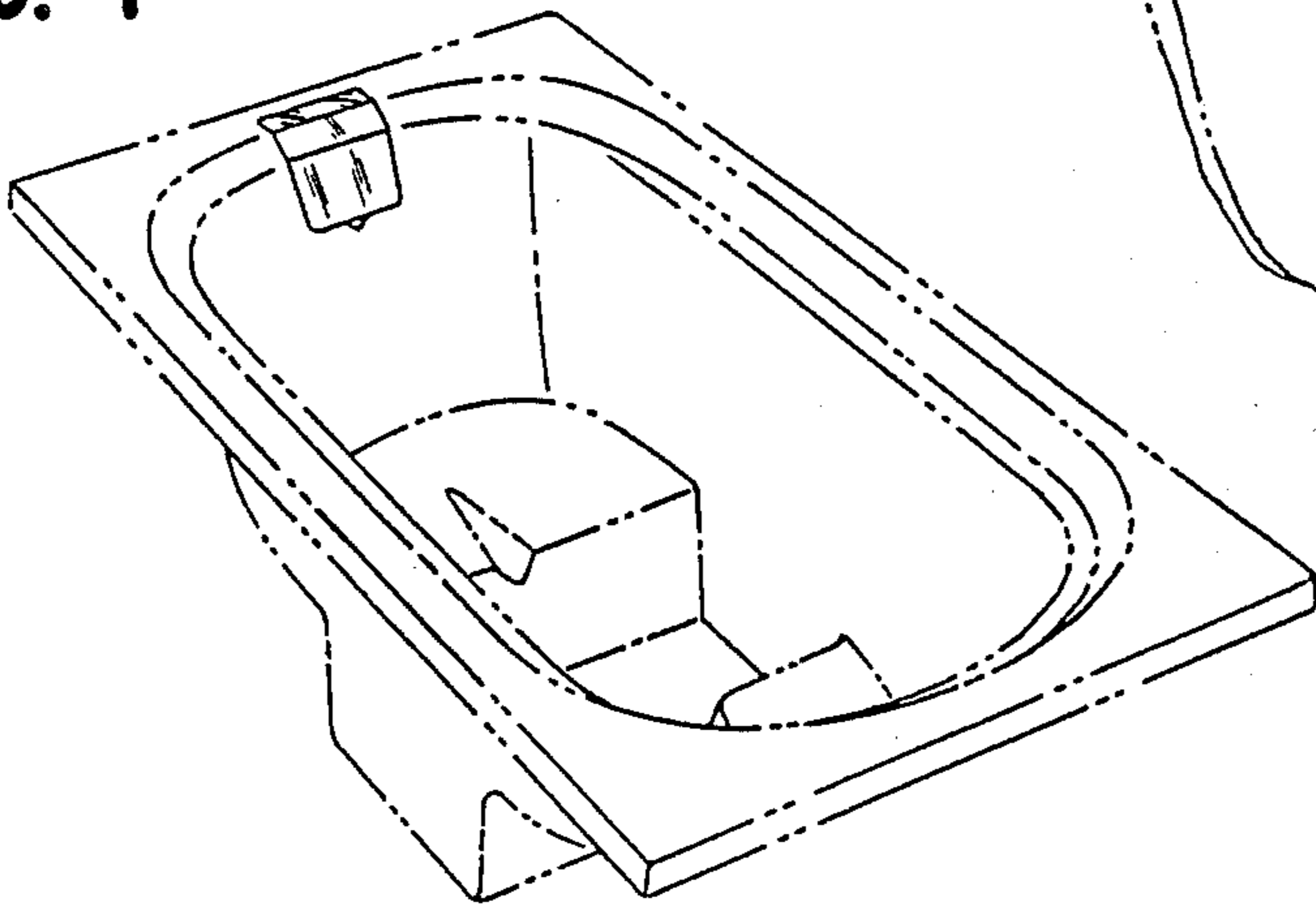
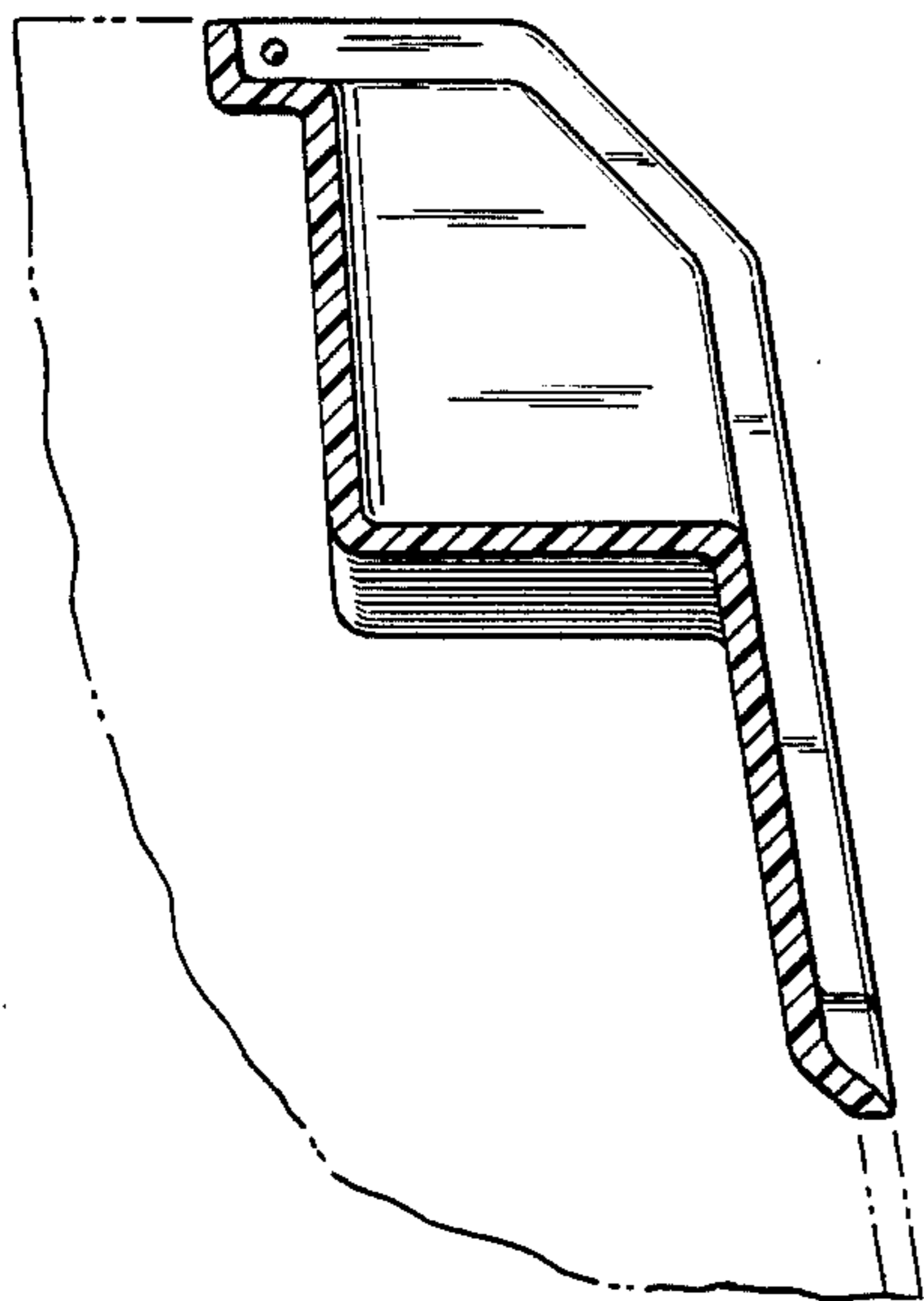
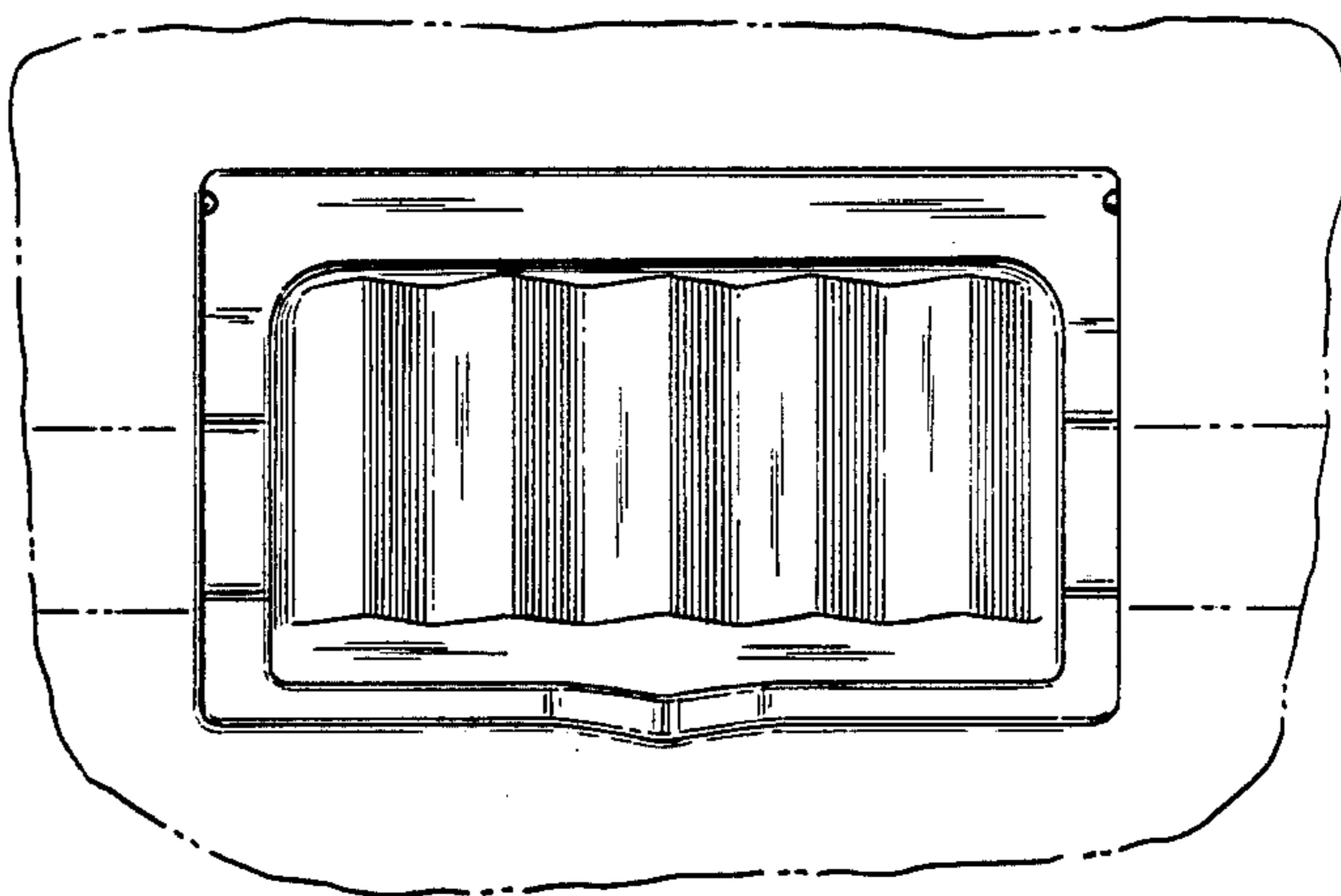


FIG. 2

FIG. 1

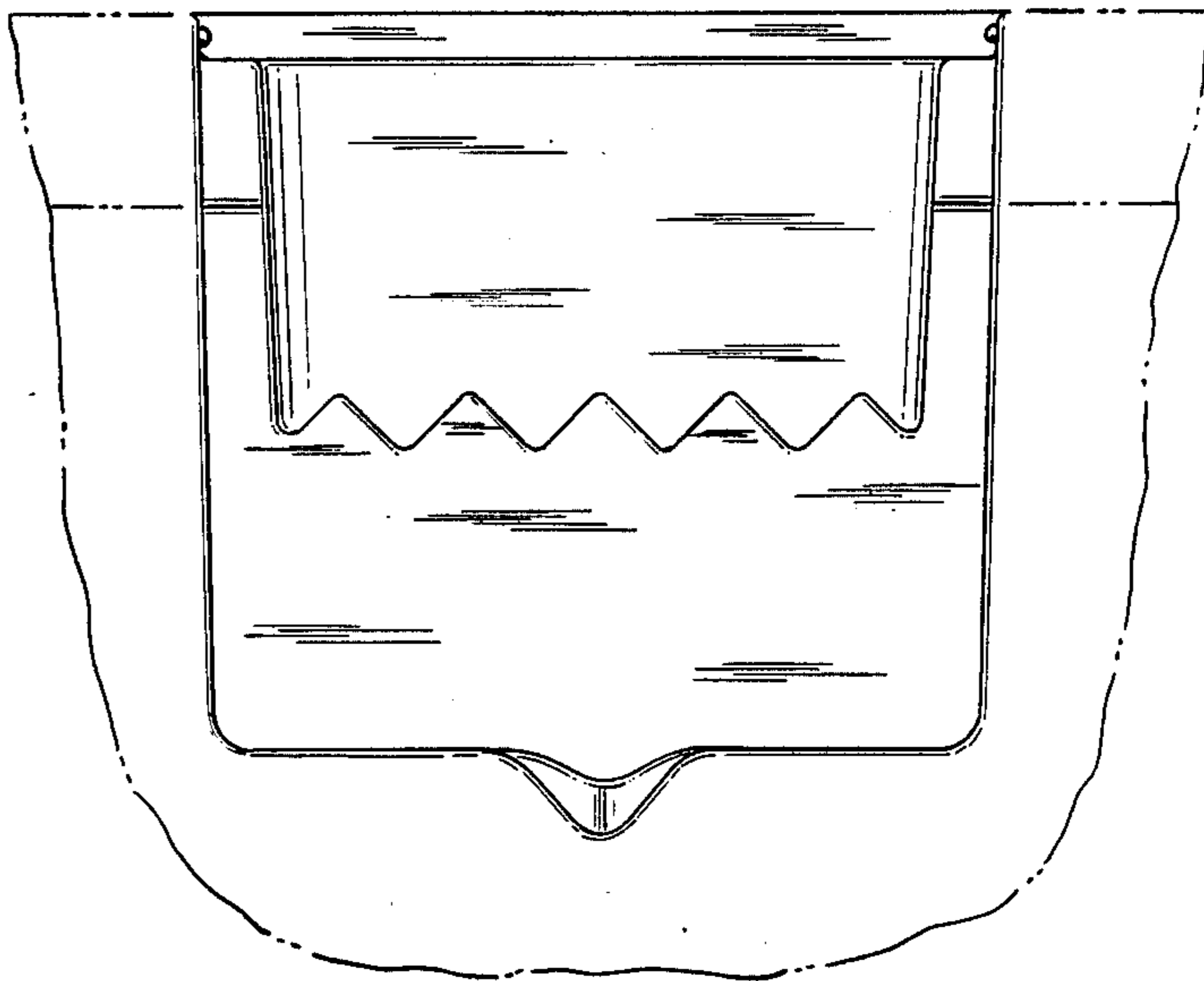


*Fig. 4*



*Fig. 6*

6 +



6 +

*Fig. 5*