

[54] AUXILIARY TOILET SEAT FOR A CHILD

[75] Inventors: Takehiko Takahashi; Yoshiyasu Ishii; Susumu Matsumoto; Jun Sekine, all of Tokyo, Japan

[73] Assignee: Combi Co., Ltd., Tokyo, Japan

[\*\*] Term: 14 Years

[21] Appl. No.: 134,473

[22] Filed: Dec. 16, 1987

[30] Foreign Application Priority Data

Jul. 2, 1987 [JP] Japan ..... 62-26735
[52] U.S. Cl. .... D23/296
[58] Field of Search ..... D23/296, 297, 311, 312; 4/234-241

[56] References Cited

U.S. PATENT DOCUMENTS

- D. 59,126 9/1921 Morton ..... D23/296
D. 231,530 4/1974 Kullenback ..... D23/296
D. 284,023 5/1986 Lipski ..... D23/296
1,004,458 9/1911 Morton ..... 4/239
1,085,468 1/1914 Nixon ..... 4/239
1,297,177 3/1919 Johnson ..... 4/254 X
1,737,163 11/1929 Koppinger ..... 4/239
2,607,926 8/1952 De Puy ..... 4/254

- 2,992,439 7/1961 Van Tassel ..... 4/239
4,205,404 6/1980 Levins ..... 4/254
4,534,072 8/1985 Lipski ..... 4/237
4,635,303 1/1987 Shih et al. .... 4/235 X
4,777,672 10/1988 Gebhard et al. .... 4/239 X

Primary Examiner—James R. Largen
Attorney, Agent, or Firm—Sughrue, Mion, Zinn, Macpeak & Seas

[57] CLAIM

The ornamental design for an auxiliary toilet seat for a child, as shown and described.

DESCRIPTION

FIG. 1 is a front, top and left side perspective view of an auxiliary toilet seat for a child showing our new design; FIG. 2 is a front elevational view thereof; FIG. 3 is a right side elevational view thereof; FIG. 4 is a top plan view thereof; FIG. 5 is a rear elevational view thereof; FIG. 6 is a bottom plan view thereof; FIG. 7 is a right side elevational view thereof, with the seat element in folded down position; and FIG. 8 is a perspective view taken from the top, front and left side thereof. The broken line representation of a toilet in FIG. 8 is for purpose of illustration only and forms no part of the claimed design.

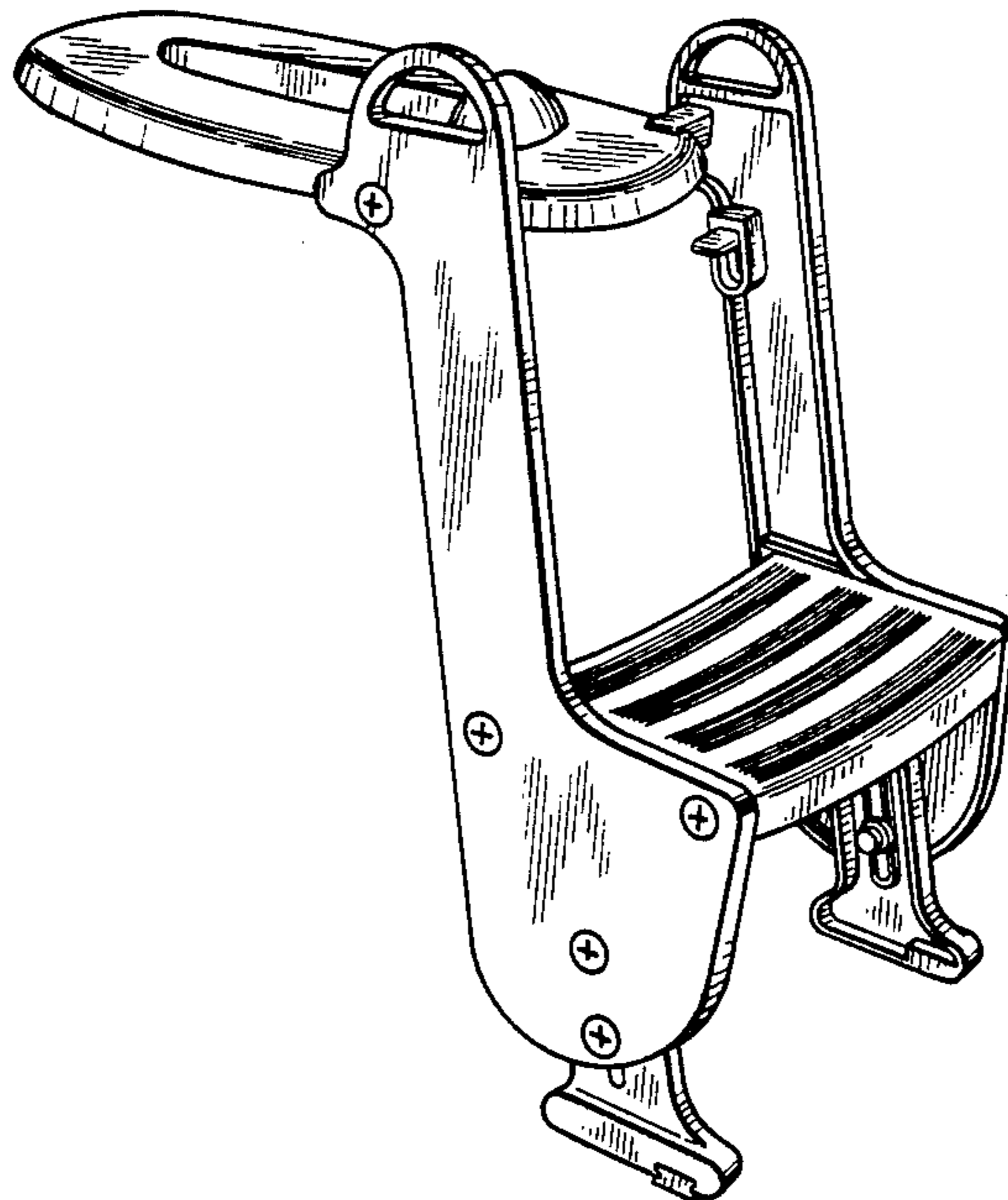


FIG. 1

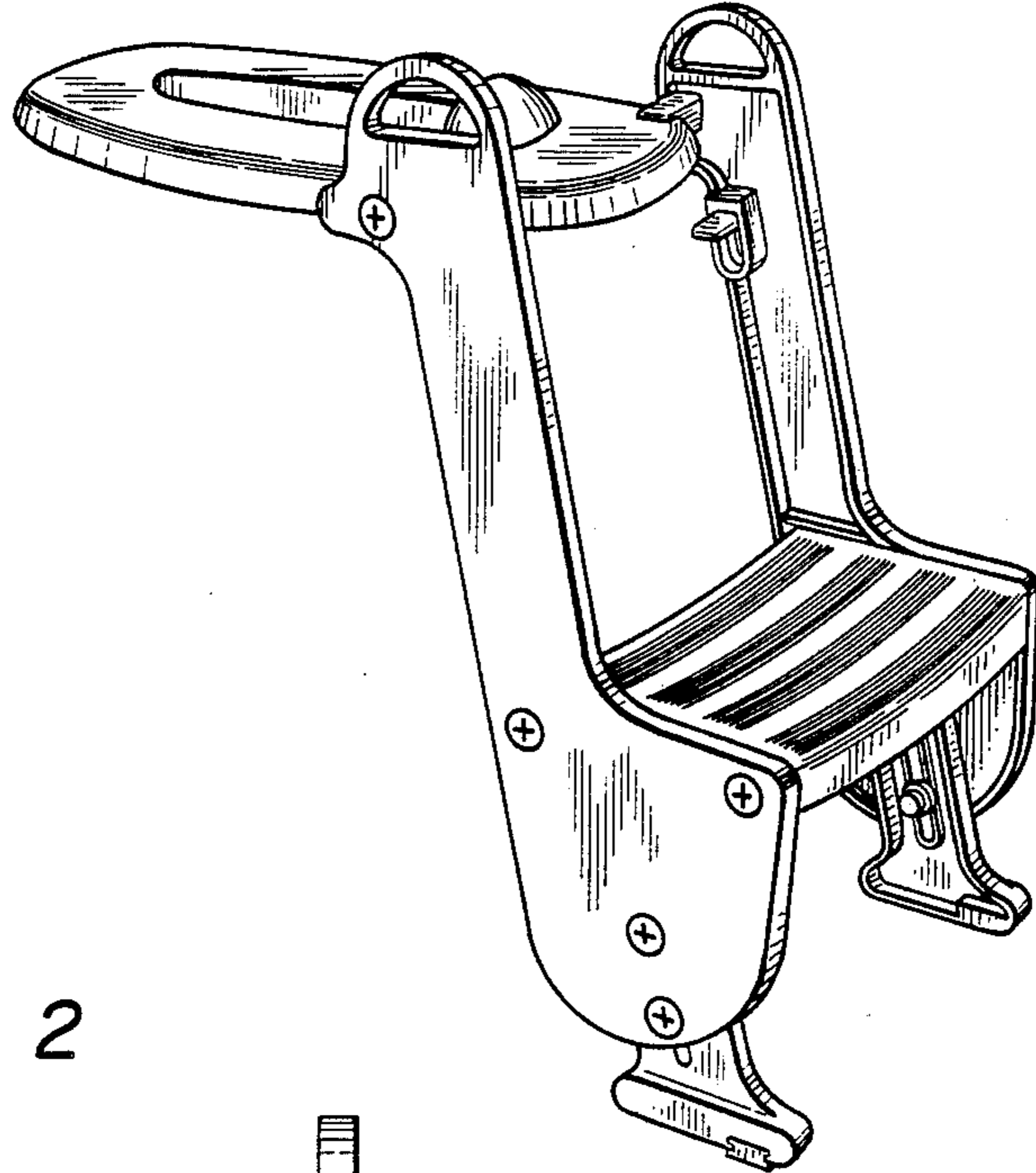


FIG. 2

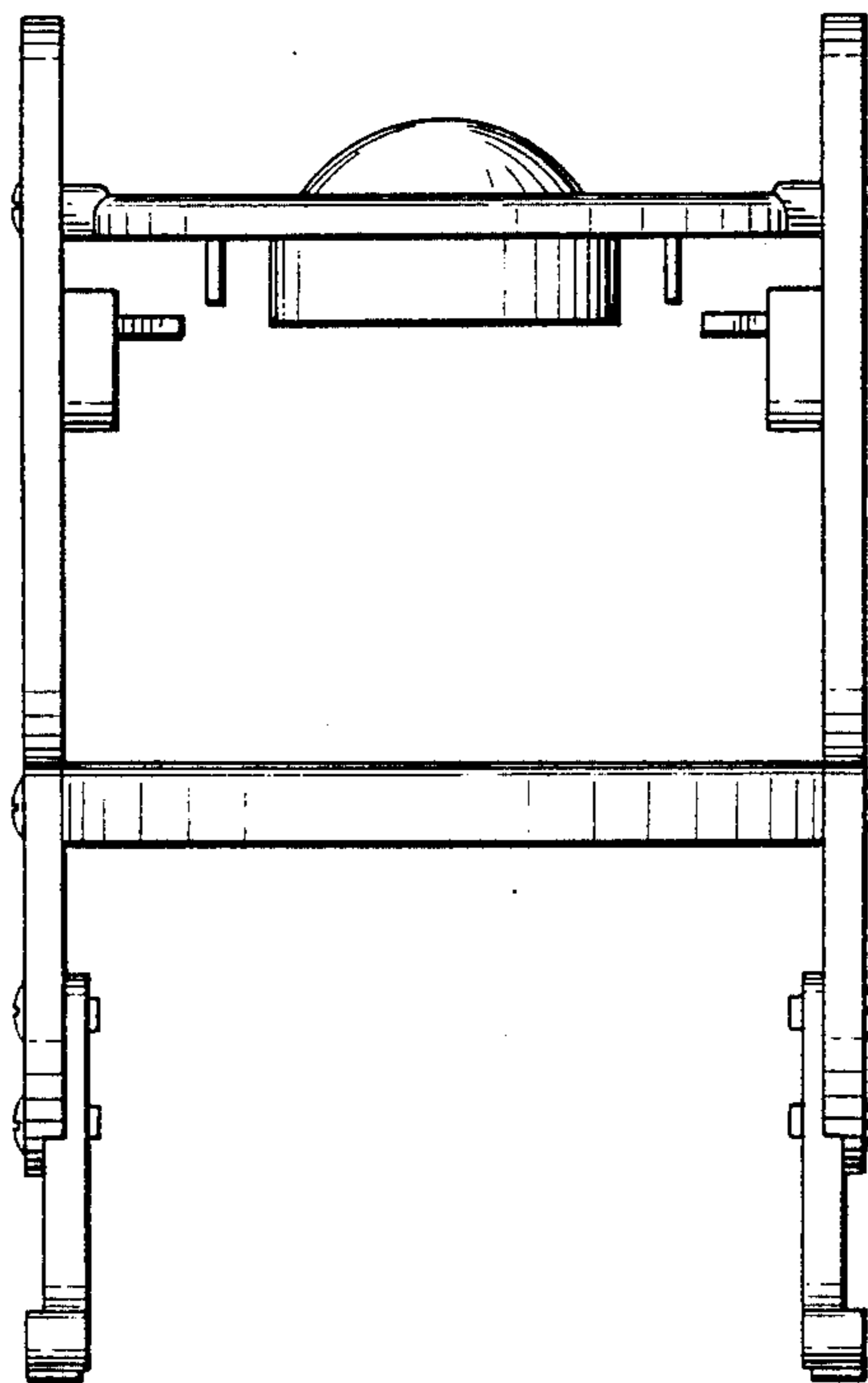


FIG. 3

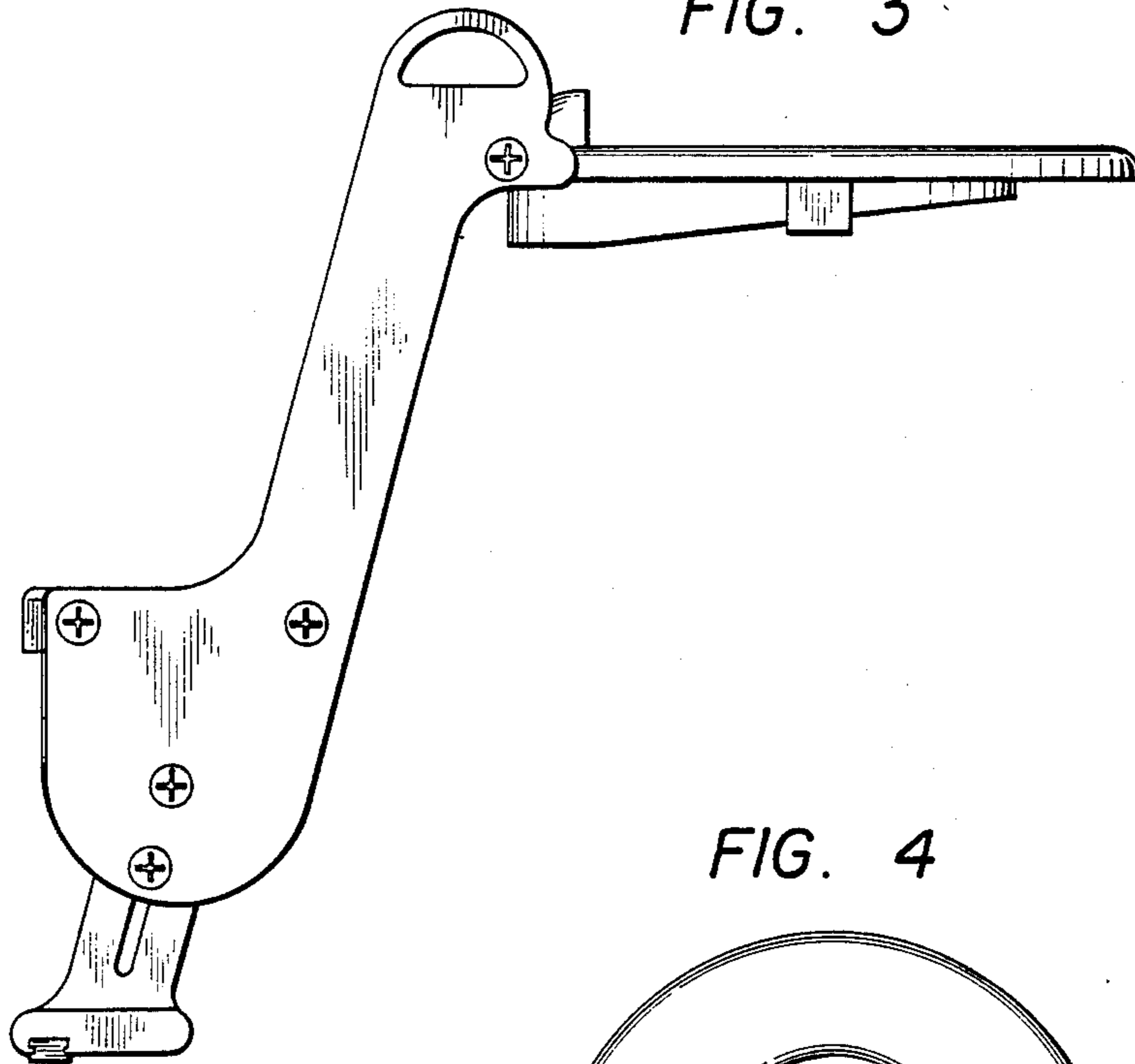


FIG. 4

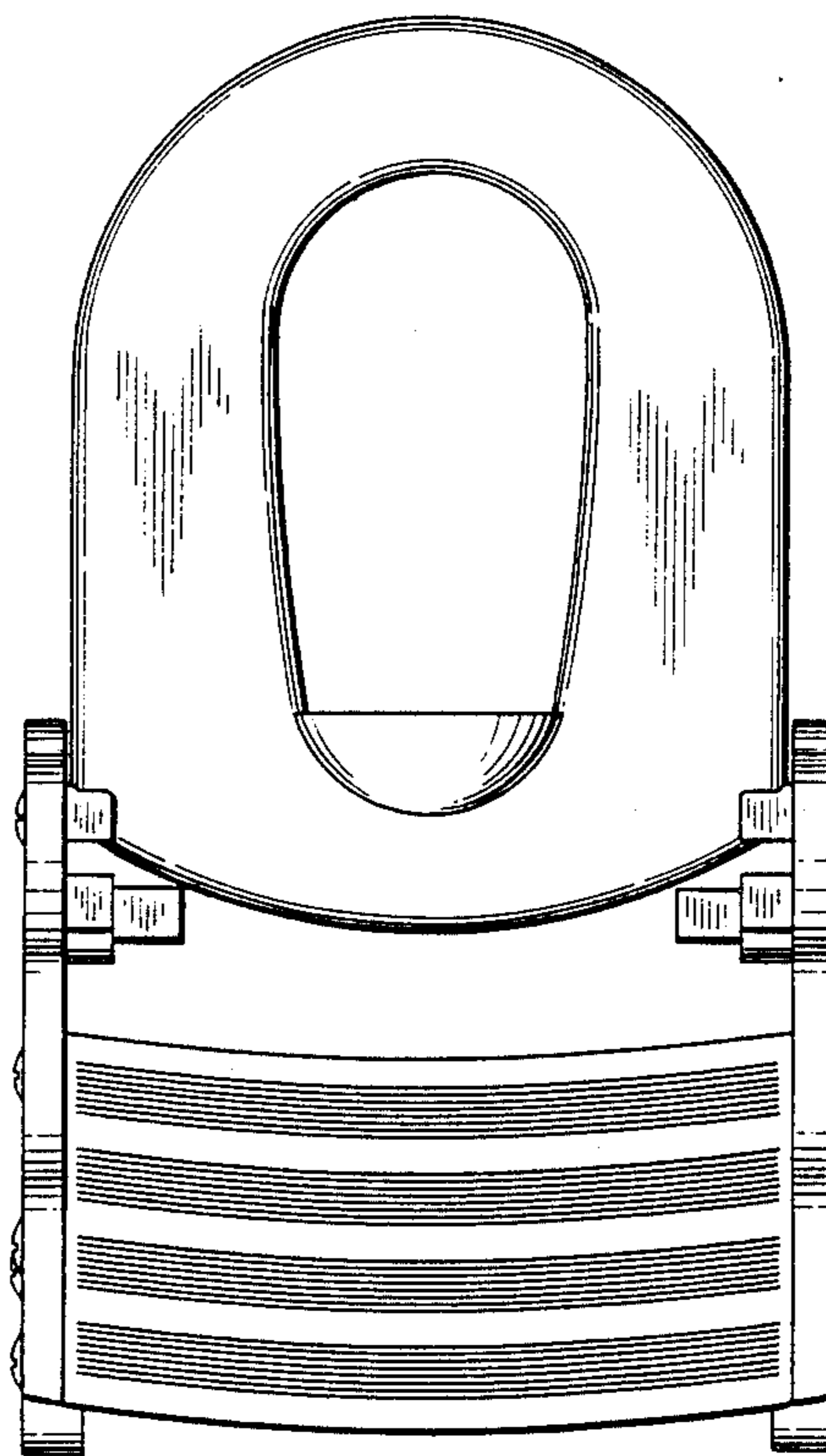


FIG. 5

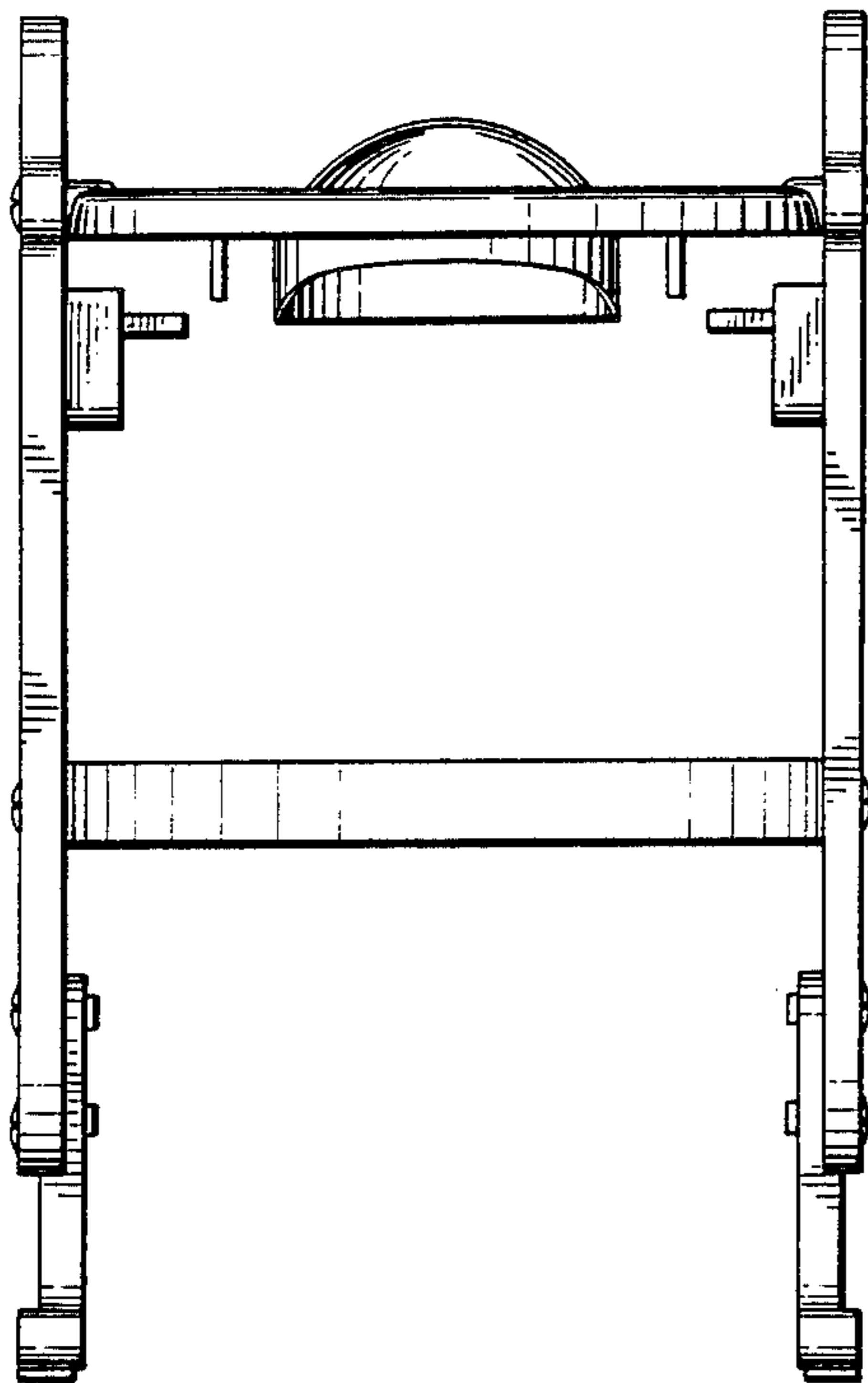


FIG. 6

