

[54] YARD HYDRANT  
 [75] Inventor: Stephen J. Anderson, Storm Lake, Iowa  
 [73] Assignee: Merrill Manufacturing Company, Inc., Storm Lake, Iowa  
 [\*\*] Term: 14 Years  
 [21] Appl. No.: 405,852  
 [22] Filed: Sep. 11, 1989  
 [52] U.S. Cl. .... D23/214  
 [58] Field of Search ..... D23/214; 119/72, 73; 137/272, 273, 274, 275, 276, 281, 287, 289, 301, 302, 303, 304, 305, 306, 307, 308

3,285,273 11/1966 Noland ..... 137/272  
 3,858,599 1/1975 Carlson ..... 137/307 X  
 4,372,339 2/1983 Anderson ..... 137/307 X

Primary Examiner—Susan J. Lucas  
 Assistant Examiner—M. H. Tung  
 Attorney, Agent, or Firm—Morton S. Adler

[57] CLAIM

The ornamental design for a yard hydrant, as shown and described.

DESCRIPTION

FIG. 1 is a front elevational view of a yard hydrant showing my new design;  
 FIG. 2 is a side elevational view thereof, the opposite side being a mirror image;  
 FIG. 3 is a rear elevational view thereof;  
 FIG. 4 is a top plan view thereof; and  
 FIG. 5 is a bottom plan view thereof.  
 The broken lines showing a standpipe, handle, strap link and valve stem are for illustrative purposes only and form no part of the claimed design.

[56] References Cited  
 U.S. PATENT DOCUMENTS  
 934,082 9/1909 Martin ..... 137/307  
 2,649,111 8/1953 Anderson ..... 137/304  
 2,730,326 1/1956 Staben ..... 137/302 X

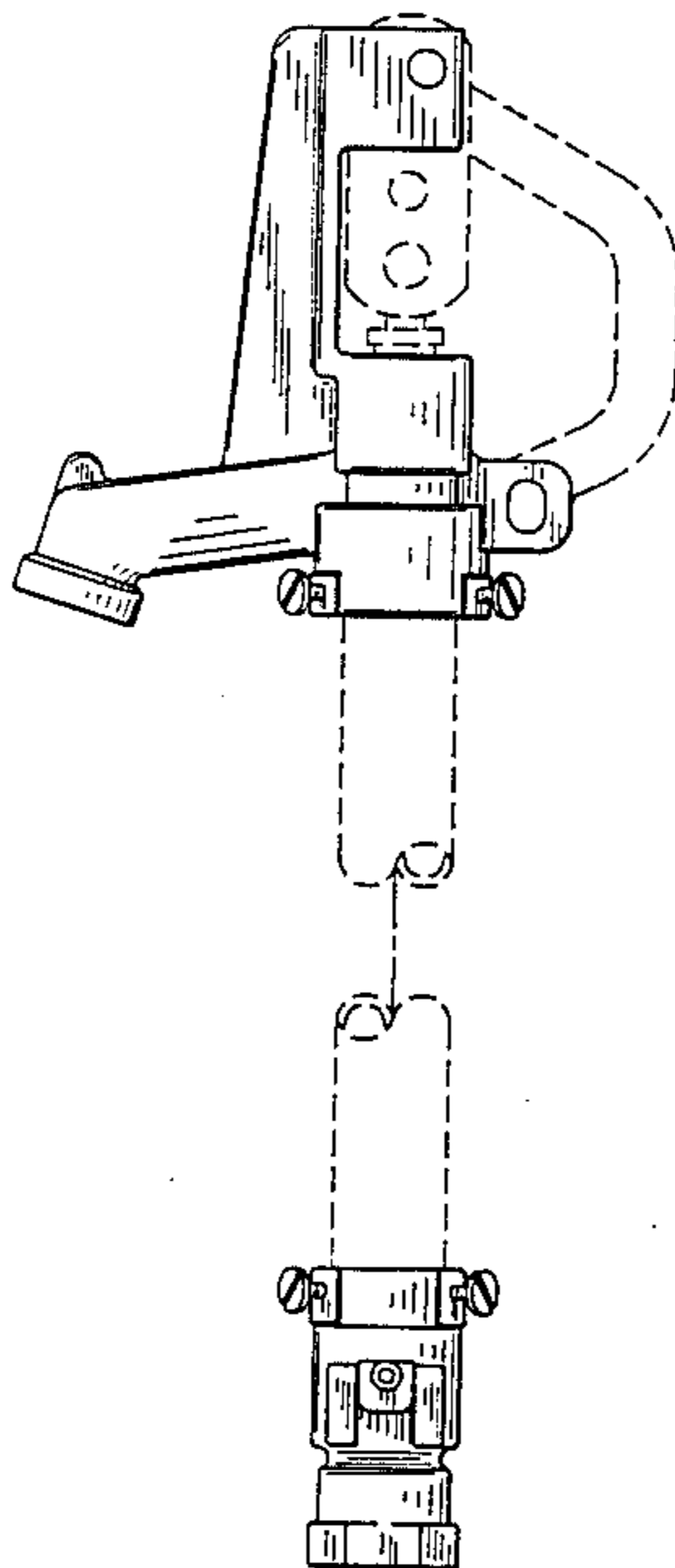


FIG. 1

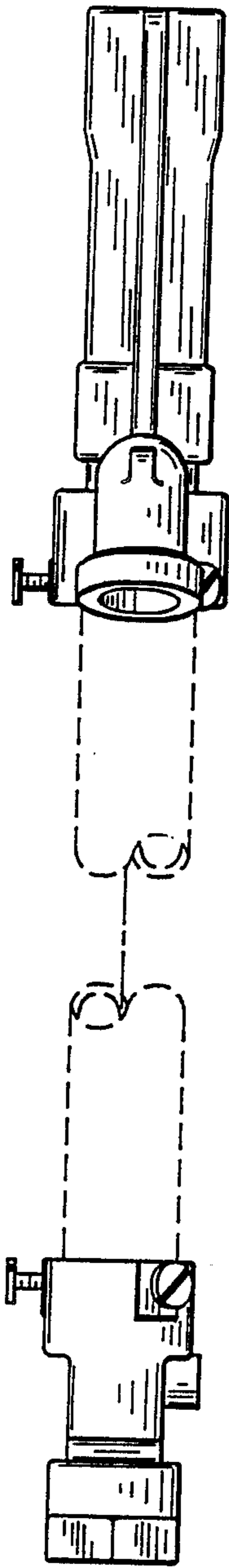


FIG. 2

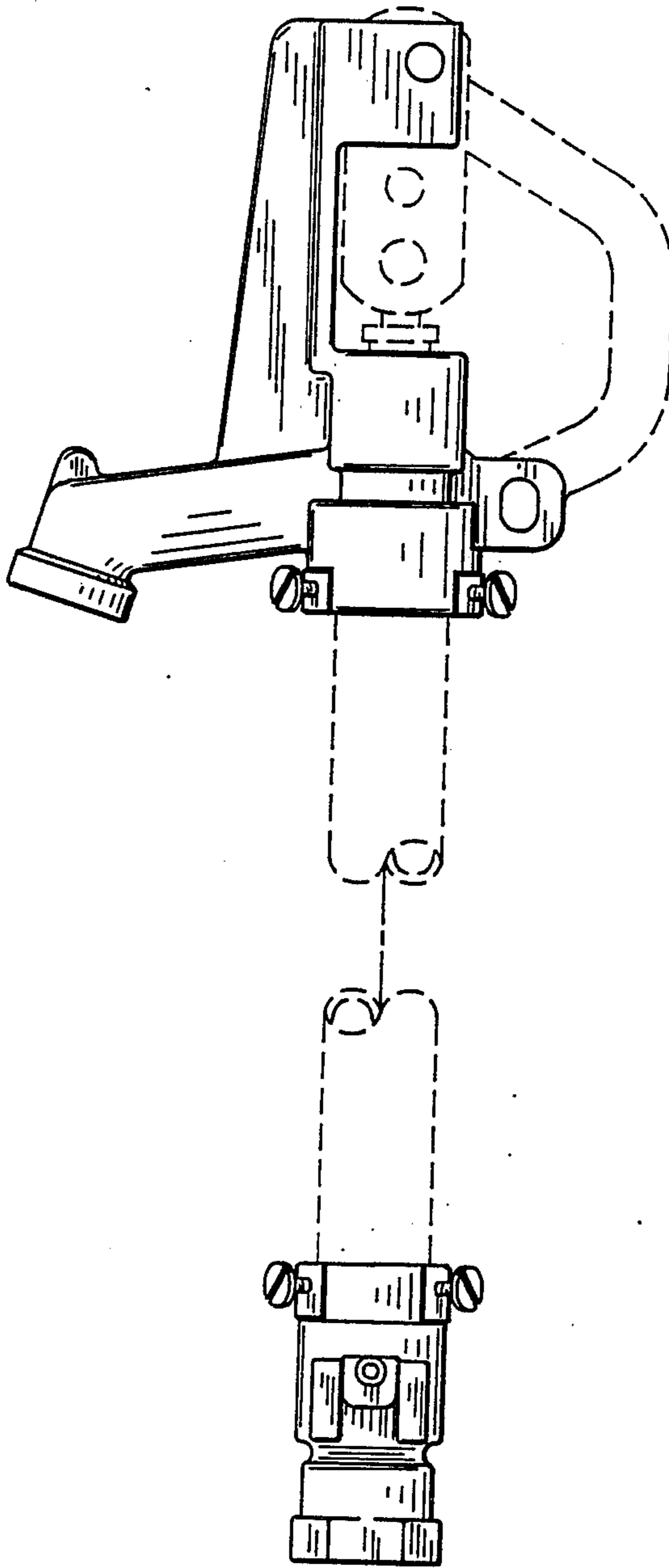


FIG. 3

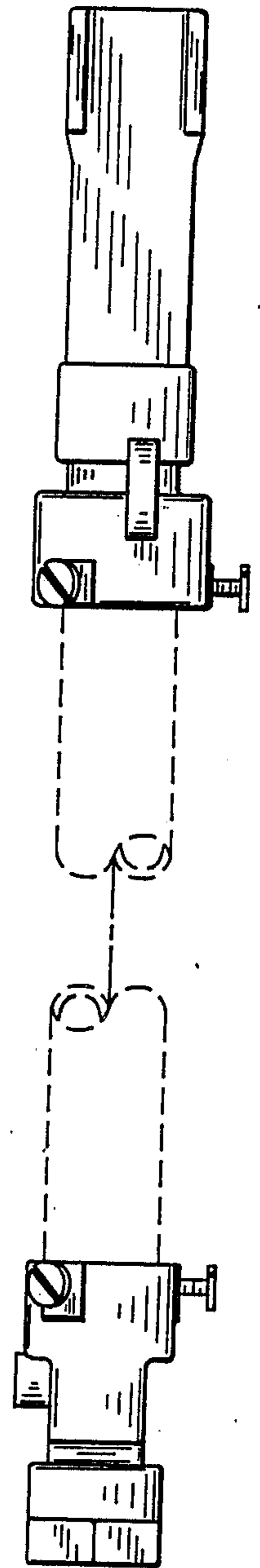


FIG. 4

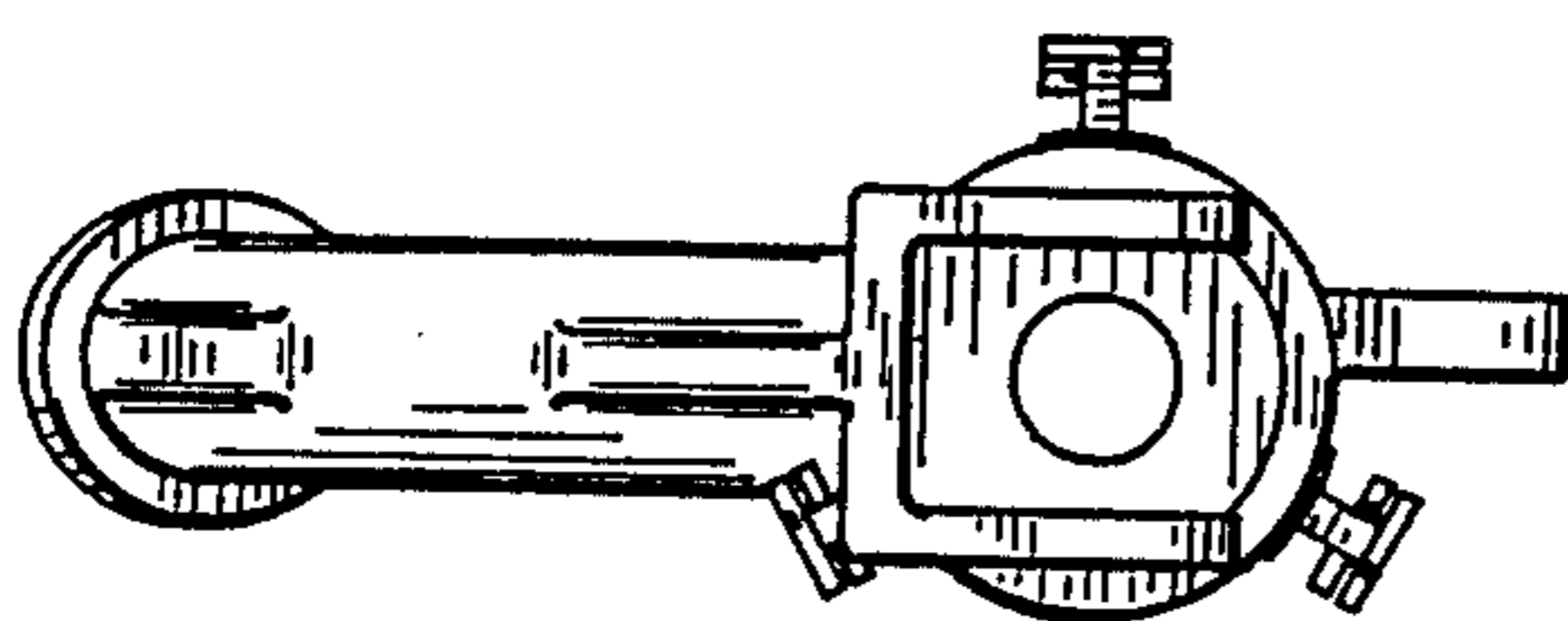


FIG. 5

