

[54] DISPENSER FOR TOILET TANKS

[75] Inventors: Stephen King, Sylvania Heights; Bryan H. Marshall, Glebe; Graham A. Paver, Coal Point, all of Australia

[73] Assignee: R & C Products Pty. Limited, Ermington, Australia

[**] Term: 14 Years

[21] Appl. No.: 221,188

[22] Filed: Jul. 19, 1988

[30] Foreign Application Priority Data

Jan. 19, 1988 [AU] Australia 0177/88

[52] U.S. Cl. D23/208

[58] Field of Search D23/207, 208, 213; 4/231, 228, 223, 224, 227

[56] References Cited

U.S. PATENT DOCUMENTS

D. 143,174 12/1945 Wagner D23/213

D. 179,972	4/1957	Herriott	D23/208
D. 191,106	8/1961	Pannutti	D23/208
D. 219,776	1/1971	Jacobs	D23/208
D. 231,985	7/1974	Paulsen	D23/208
D. 293,263	12/1987	Ronayne	D23/208
4,530,118	7/1985	Richards	4/227

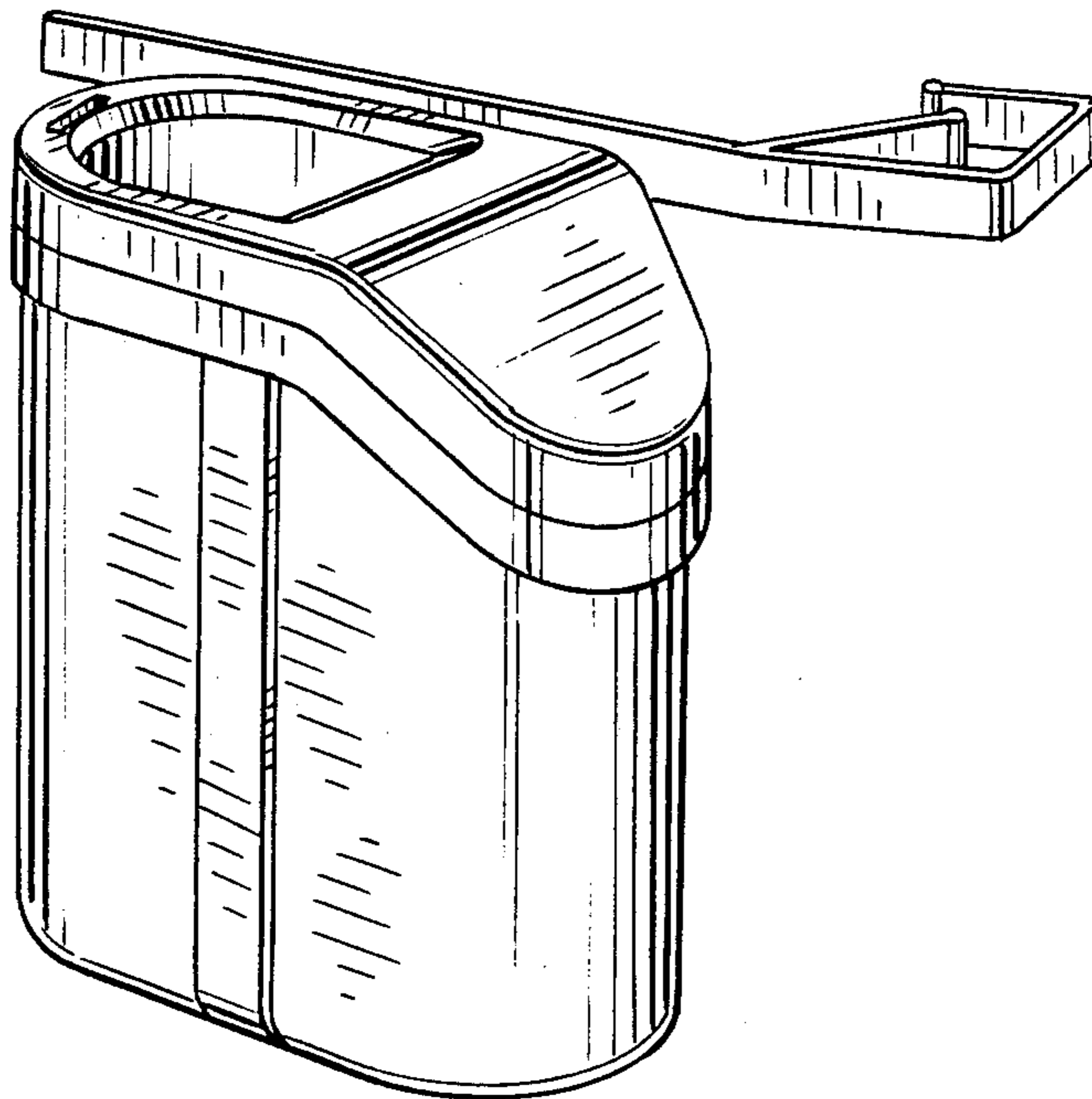
Primary Examiner—Susan J. Lucas
Assistant Examiner—M. H. Tung
Attorney, Agent, or Firm—Felfe & Lynch

[57] CLAIM

The ornamental design for a dispenser for toilet tanks, as shown and described.

DESCRIPTION

FIG. 1 is a top left side perspective view of a dispenser for toilet tanks, showing our new design; FIG. 2 is a top plan view thereof; FIG. 3 is a bottom plan view thereof; FIG. 4 is a front end elevational view thereof; FIG. 5 is a rear end elevational view thereof; FIG. 6 is a left side elevational view thereof; and FIG. 7 is a right side elevational view thereof.



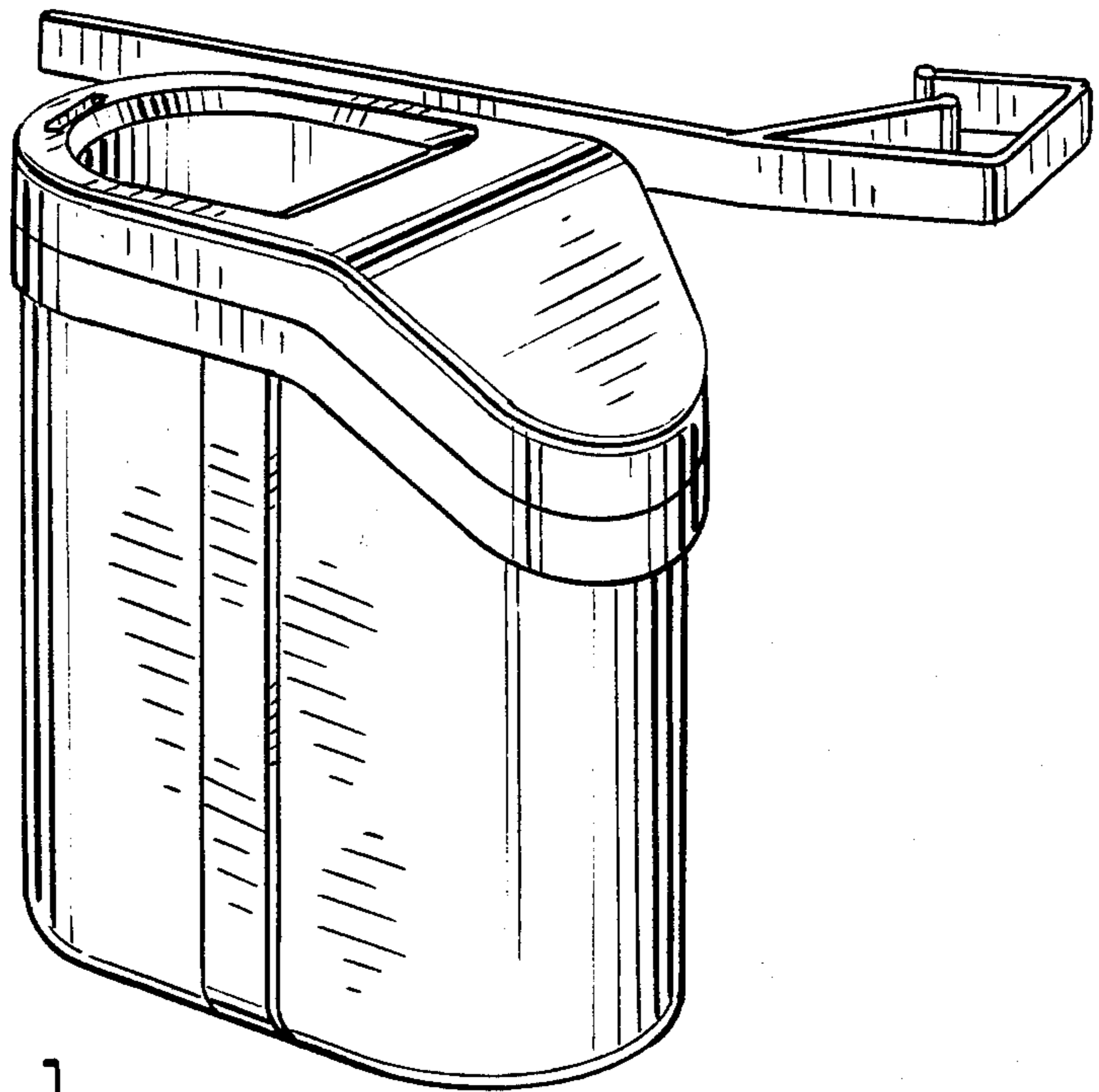


Fig. 1.

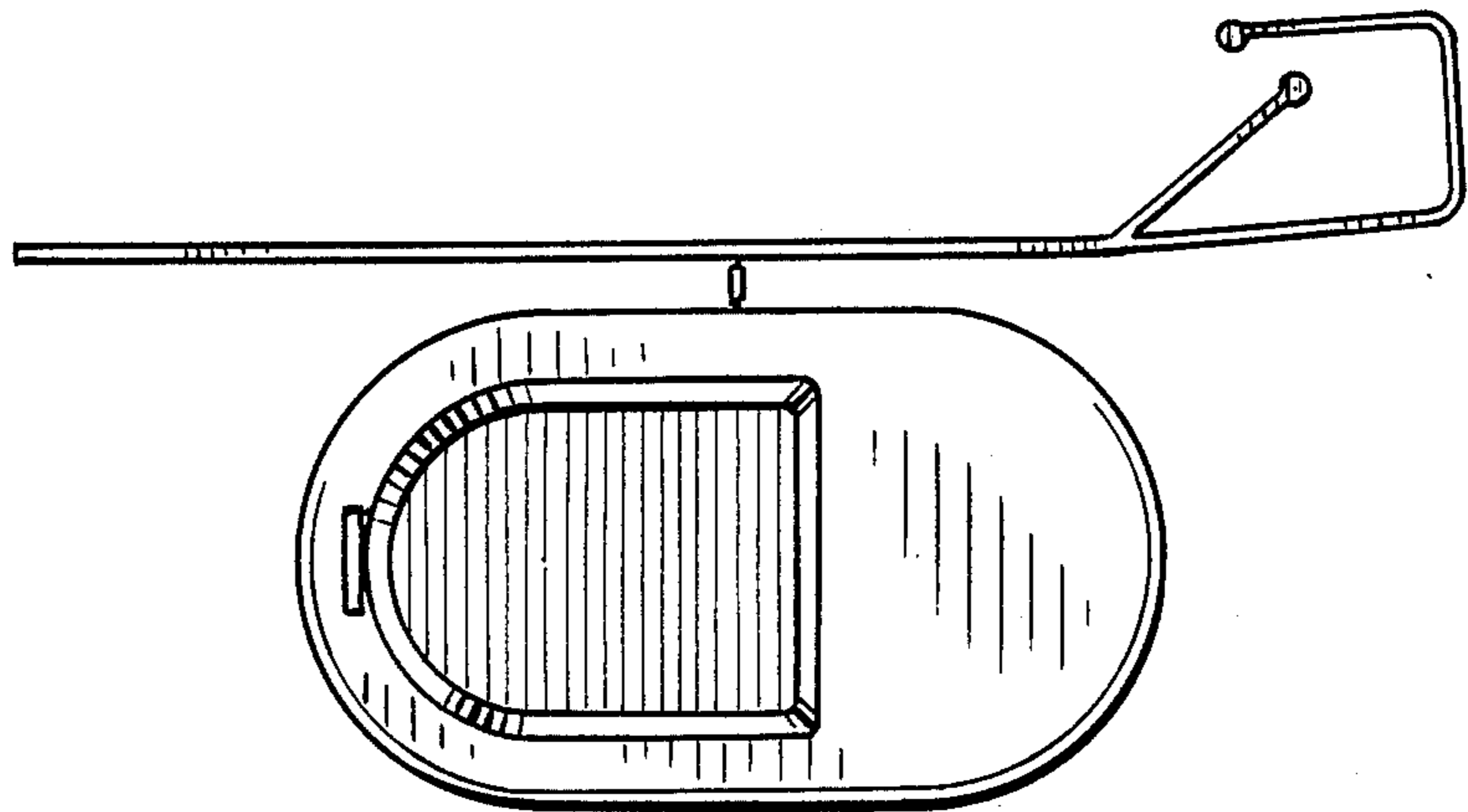


Fig. 2.

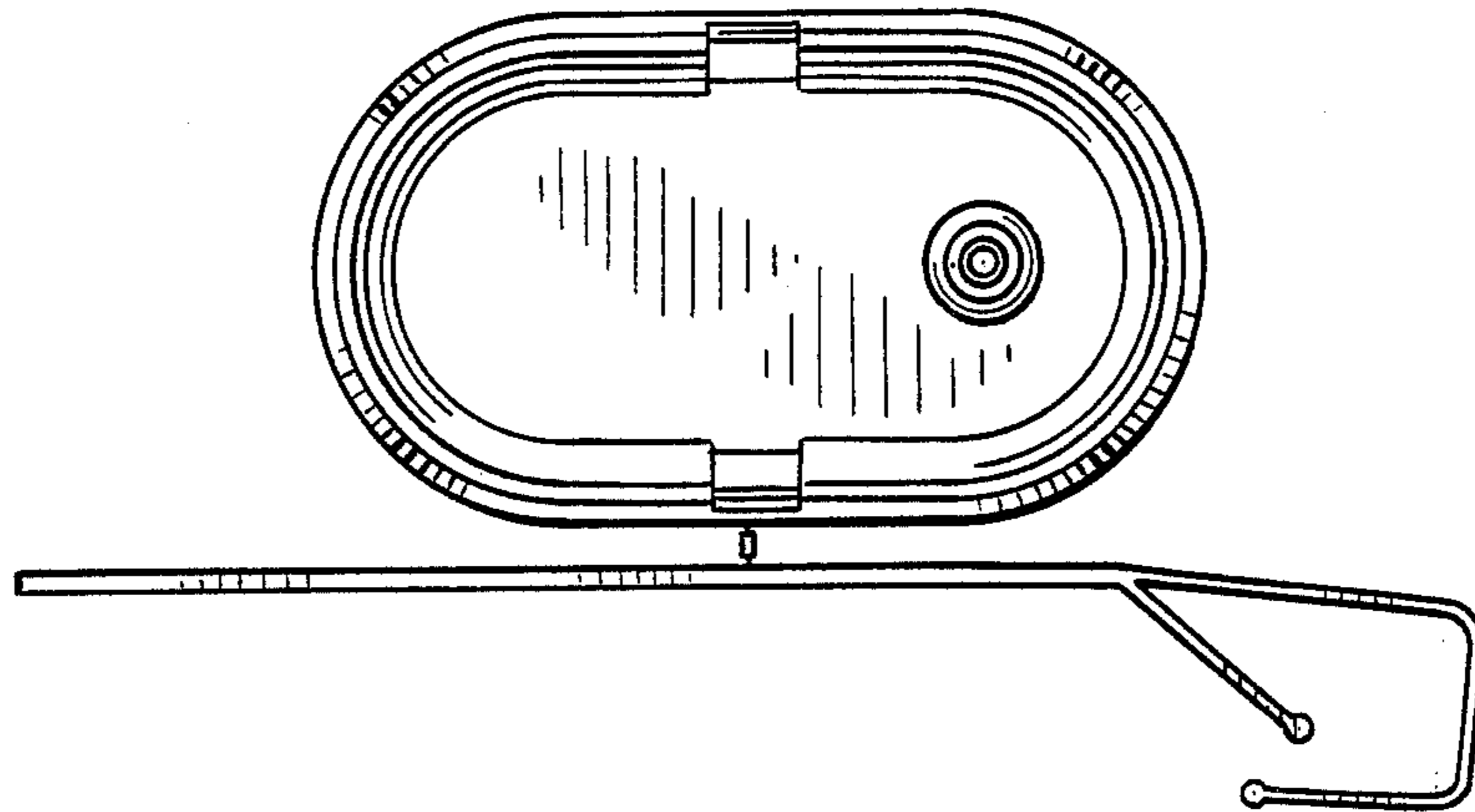


Fig. 3.

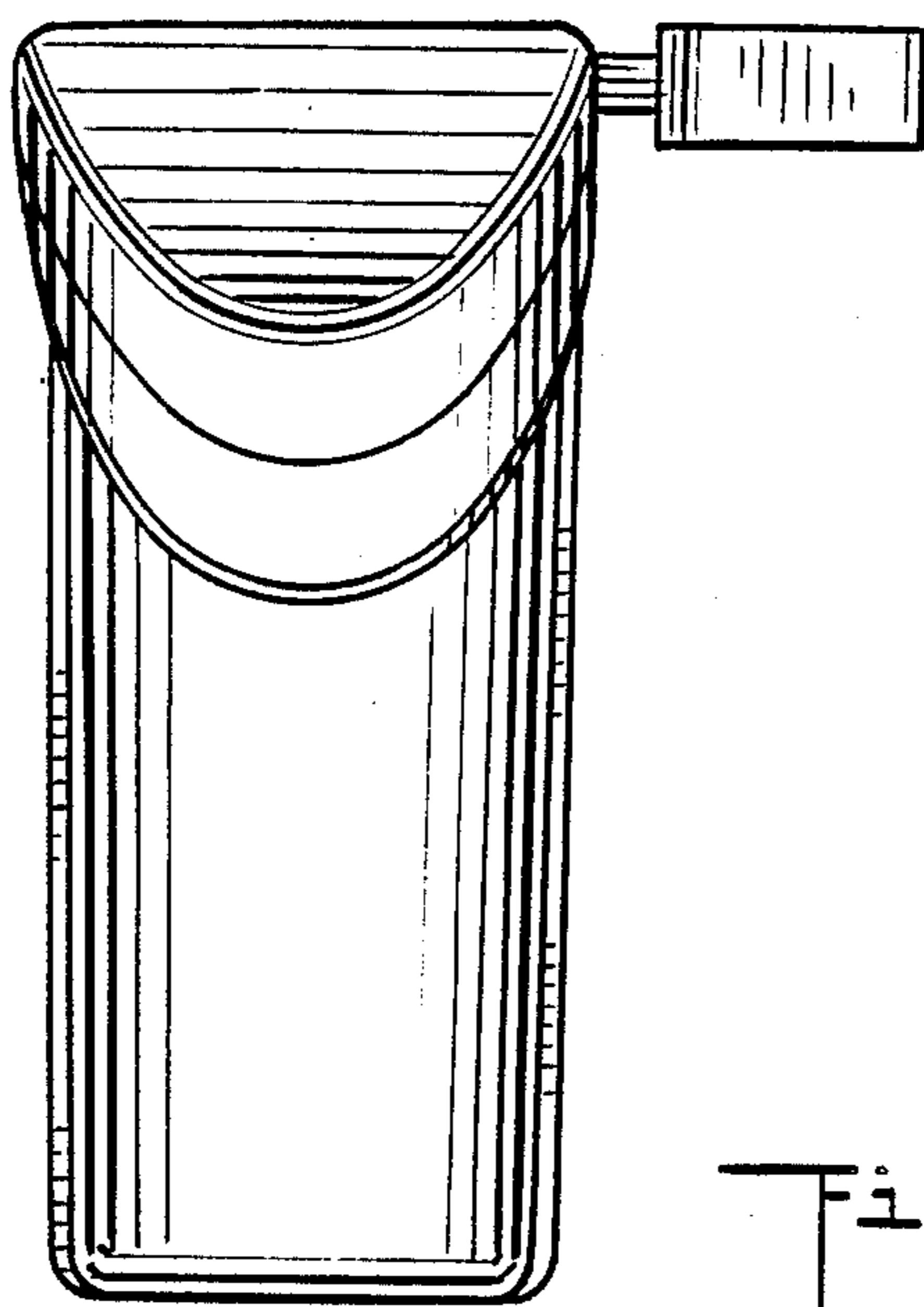


Fig. 4.

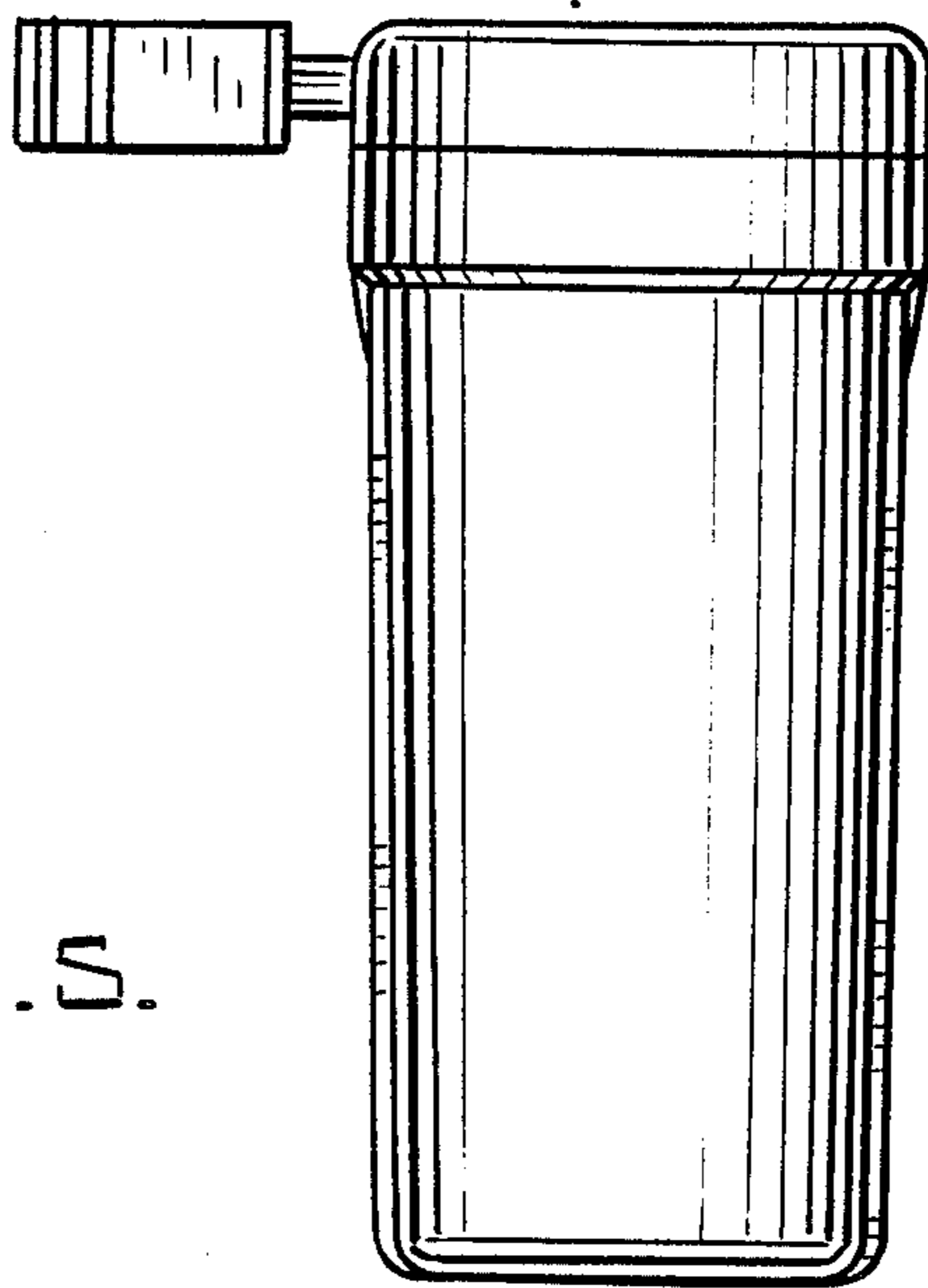


Fig. 5.

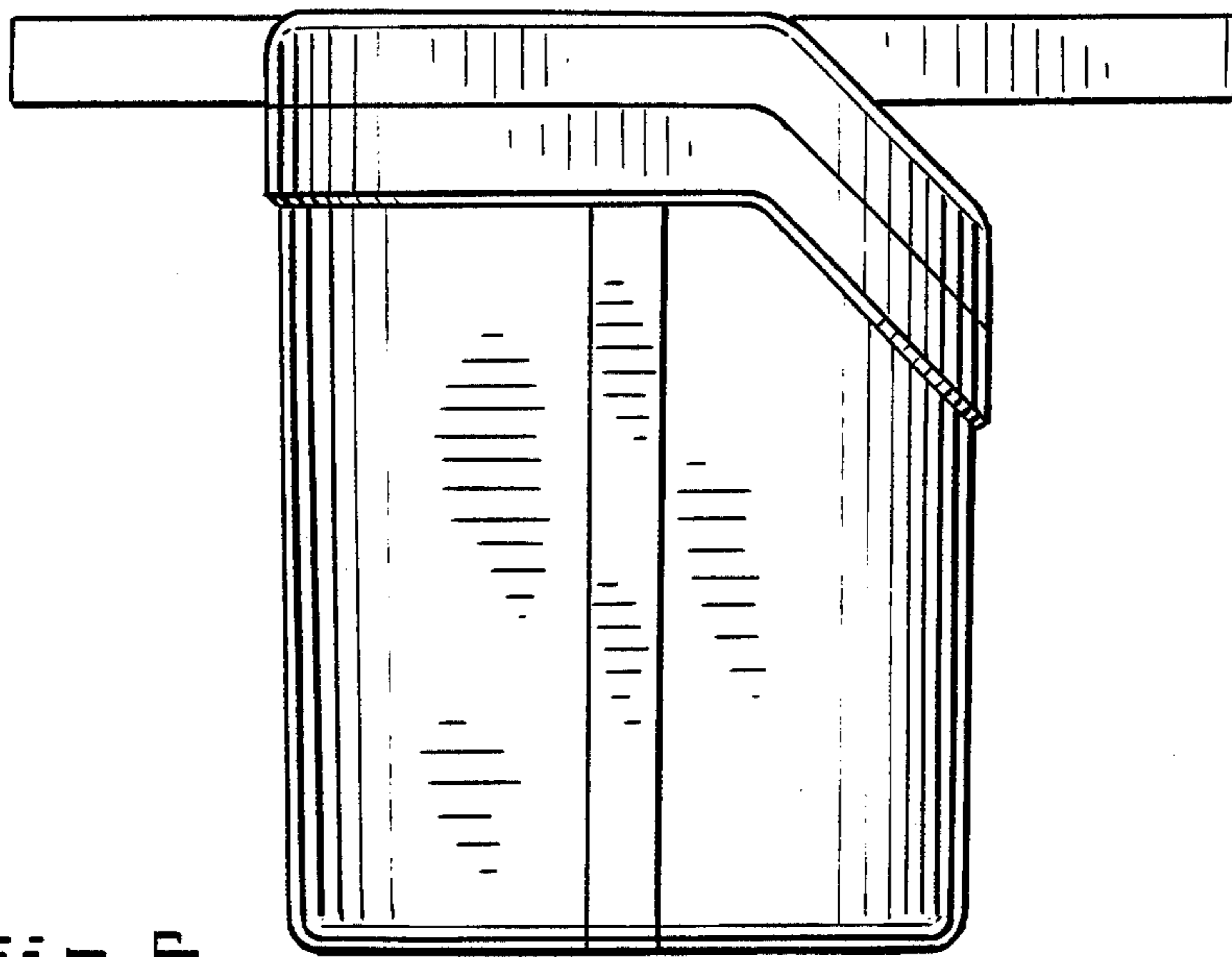


Fig. 6.

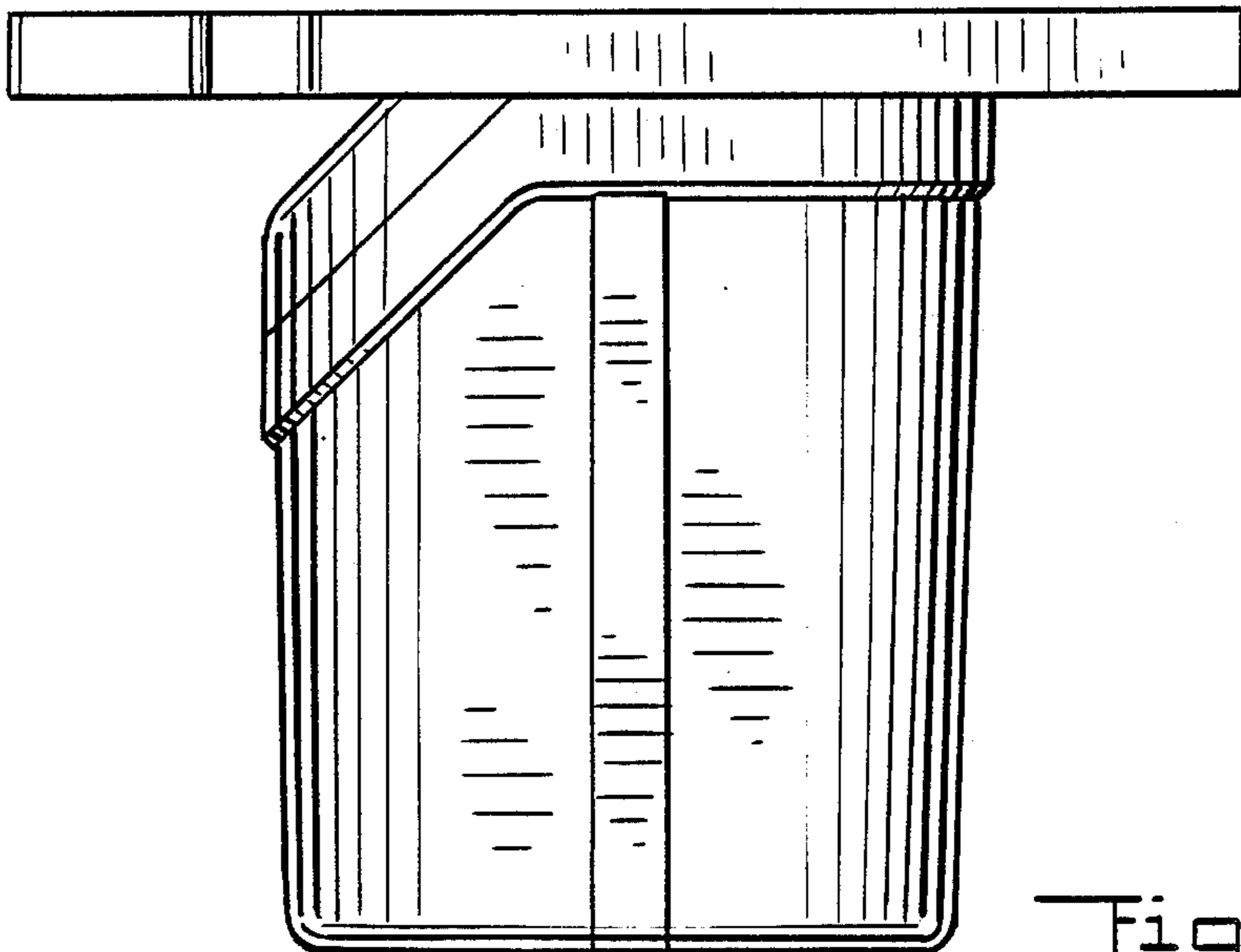


Fig. 7.