

[54] TOILET BOWL DEODORANT HOLDER

[75] Inventor: Mark E. Wefler, Racine, Wis.

[73] Assignee: S. C. Johnson & Son, Inc., Racine, Wis.

[**] Term: 14 Years

[21] Appl. No.: 111,527

[22] Filed: Oct. 22, 1987

[52] U.S. Cl. D23/208

[58] Field of Search D23/207, 208, 213; 4/231, 228, 223, 224, 227

4,615,054 10/1986 Buecheler et al. 4/231
4,777,670 10/1988 Klinkhammer et al. 4/231

FOREIGN PATENT DOCUMENTS

2159/31 5/1931 Australia 4/231
2947546 6/1981 Fed. Rep. of Germany 4/231

Primary Examiner—Susan J. Lucas

Assistant Examiner—M. H. Tung

[57] CLAIM

The ornamental design for a toilet bowl deodorant holder, as shown and described.

DESCRIPTION

FIG. 1 is a perspective view of a toilet bowl deodorant holder showing my new design; FIG. 2 is a top plan view thereof; FIG. 3 is a front elevational view thereof; FIG. 4 is a rear elevational view thereof; FIG. 5 is a side elevational view thereof, the opposite side being a mirror image; FIG. 6 is a bottom plan view thereof; and FIG. 7 is a second embodiment thereof, the second being identical to the first except for the shape of the hanger as seen from the side.

[56] References Cited

U.S. PATENT DOCUMENTS

Re. 32,017	11/1985	Hautmann et al.	4/231
D. 104,077	4/1937	Miller	D23/208 X
1,067,472	7/1913	Creed .	
1,880,912	10/1932	Duwelius .	
3,529,309	9/1970	Leavitt et al.	4/231
3,604,021	9/1971	Nolte, Jr.	4/231
3,668,717	6/1972	Curran	4/231
3,694,354	9/1972	Nolte, Jr.	D23/208
3,766,576	8/1973	Ancel	4/231
4,096,593	6/1978	Van Vlahakis	4/231

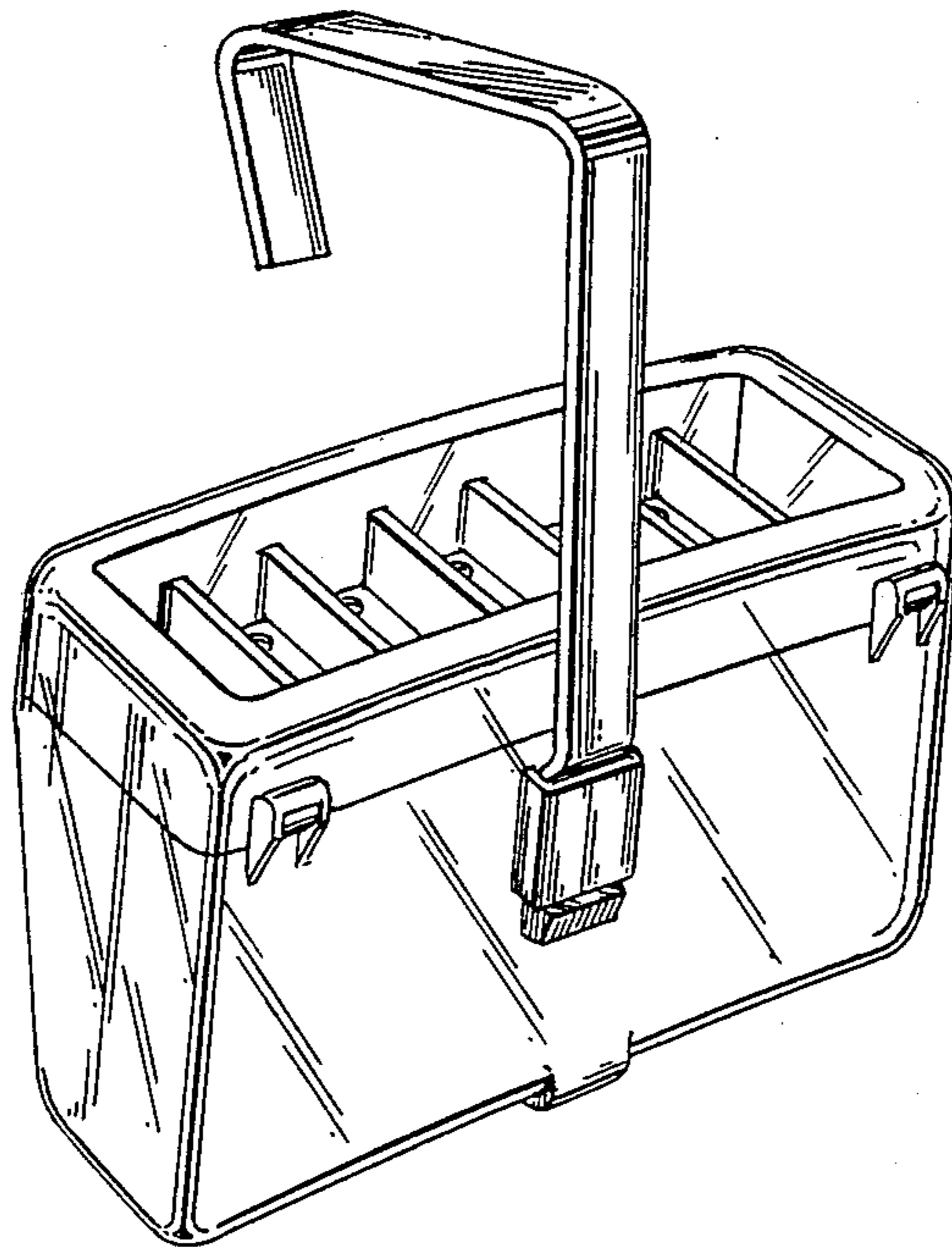


FIG. 1

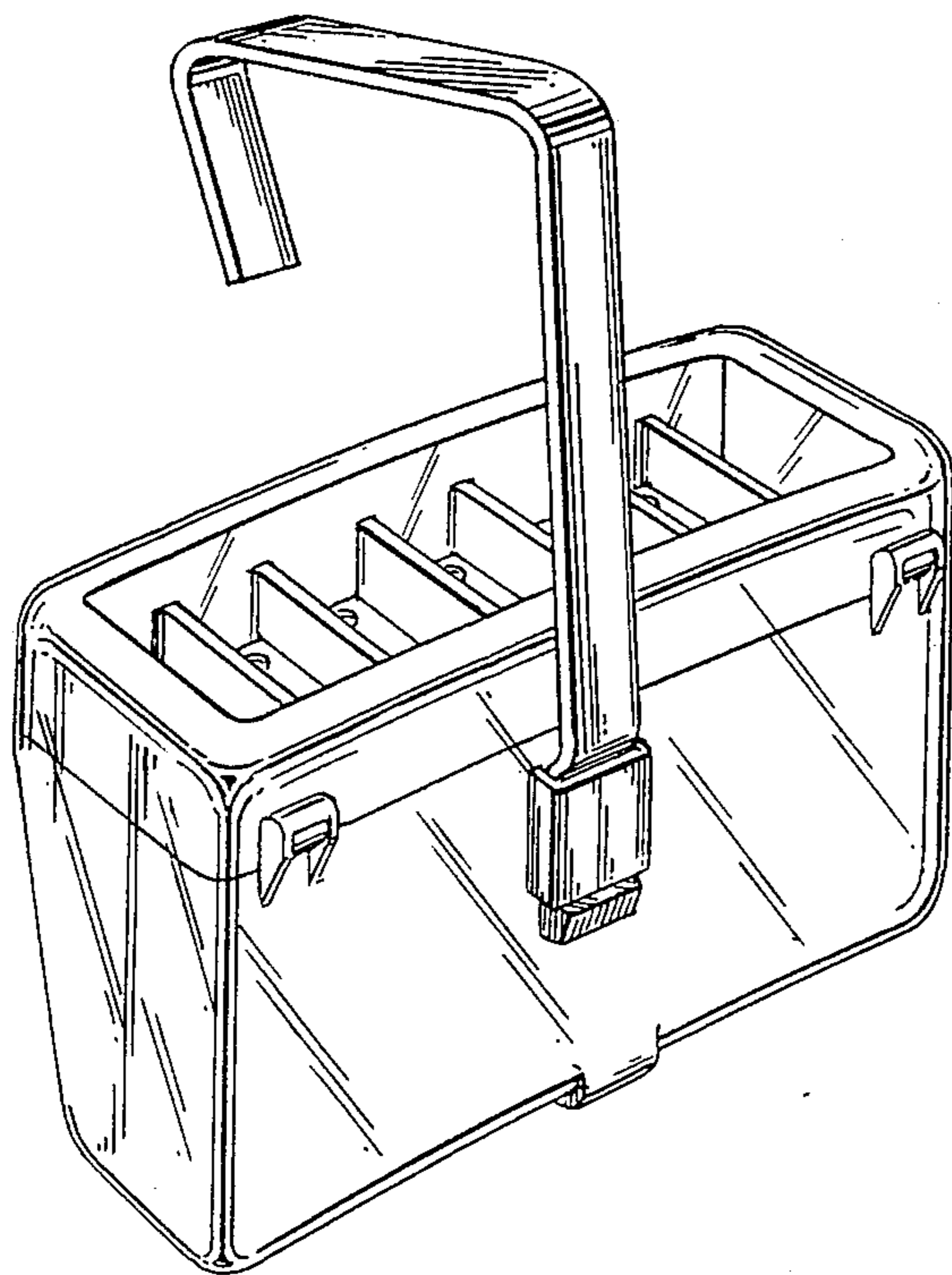


FIG. 2

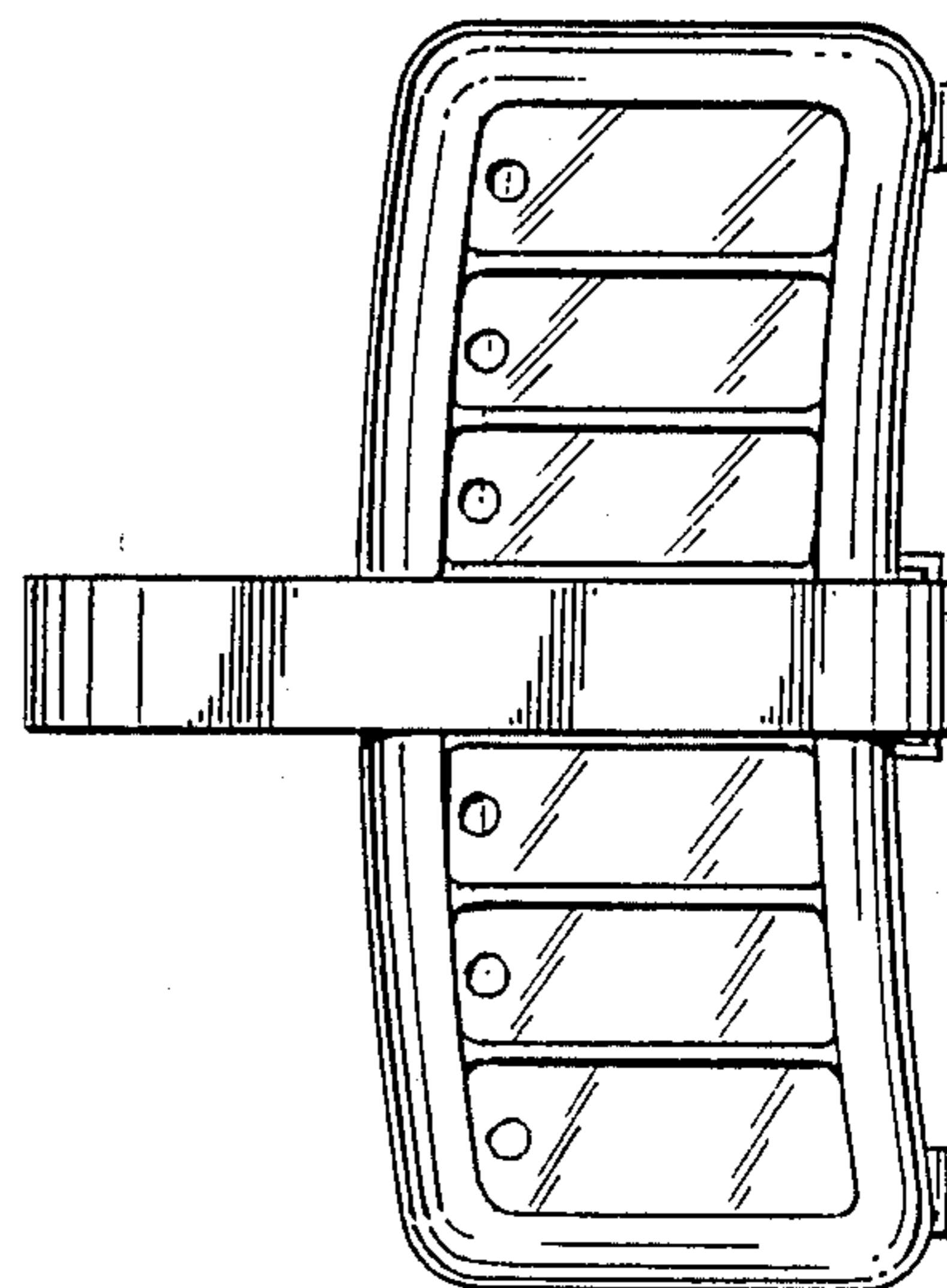


FIG. 3

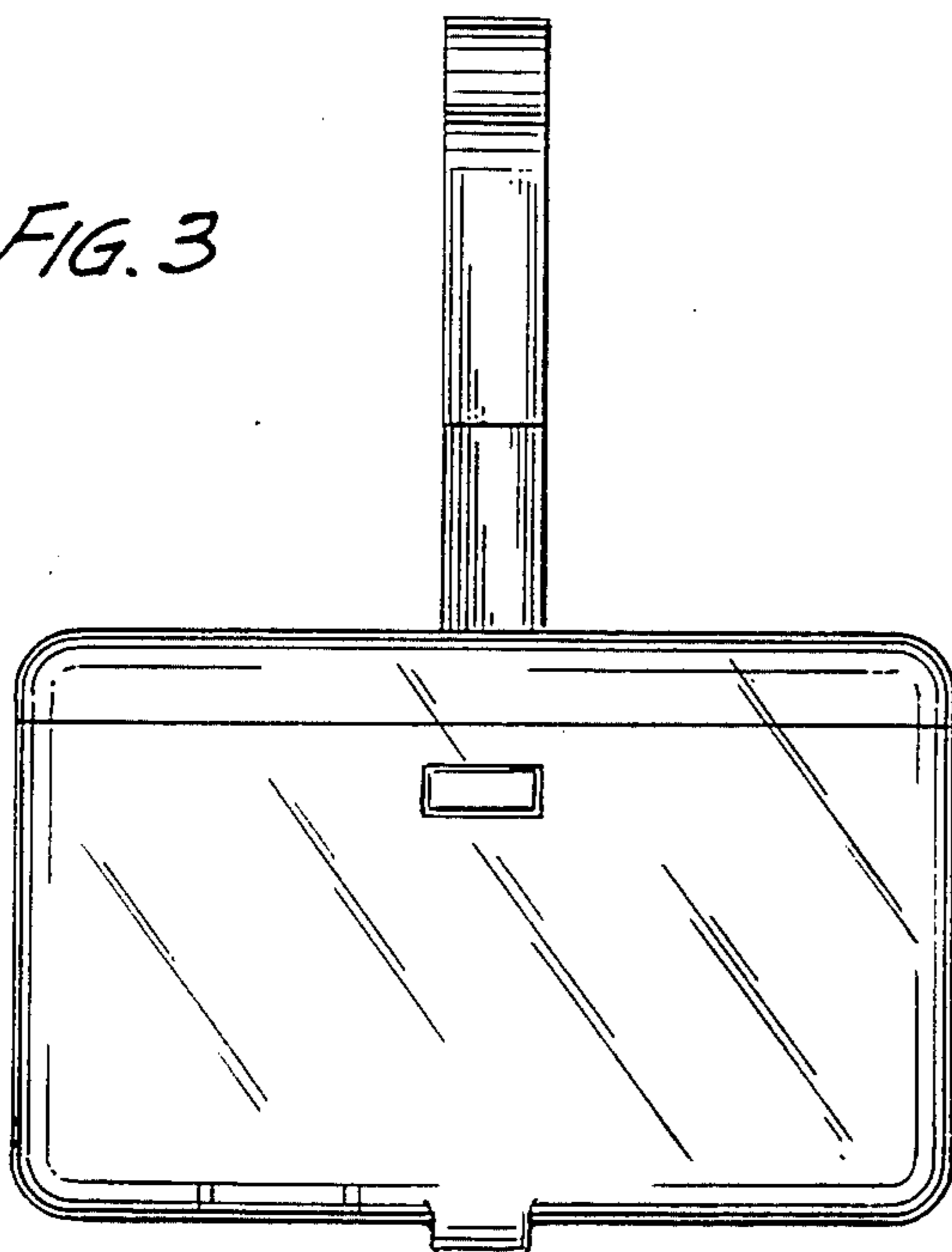


FIG. 4

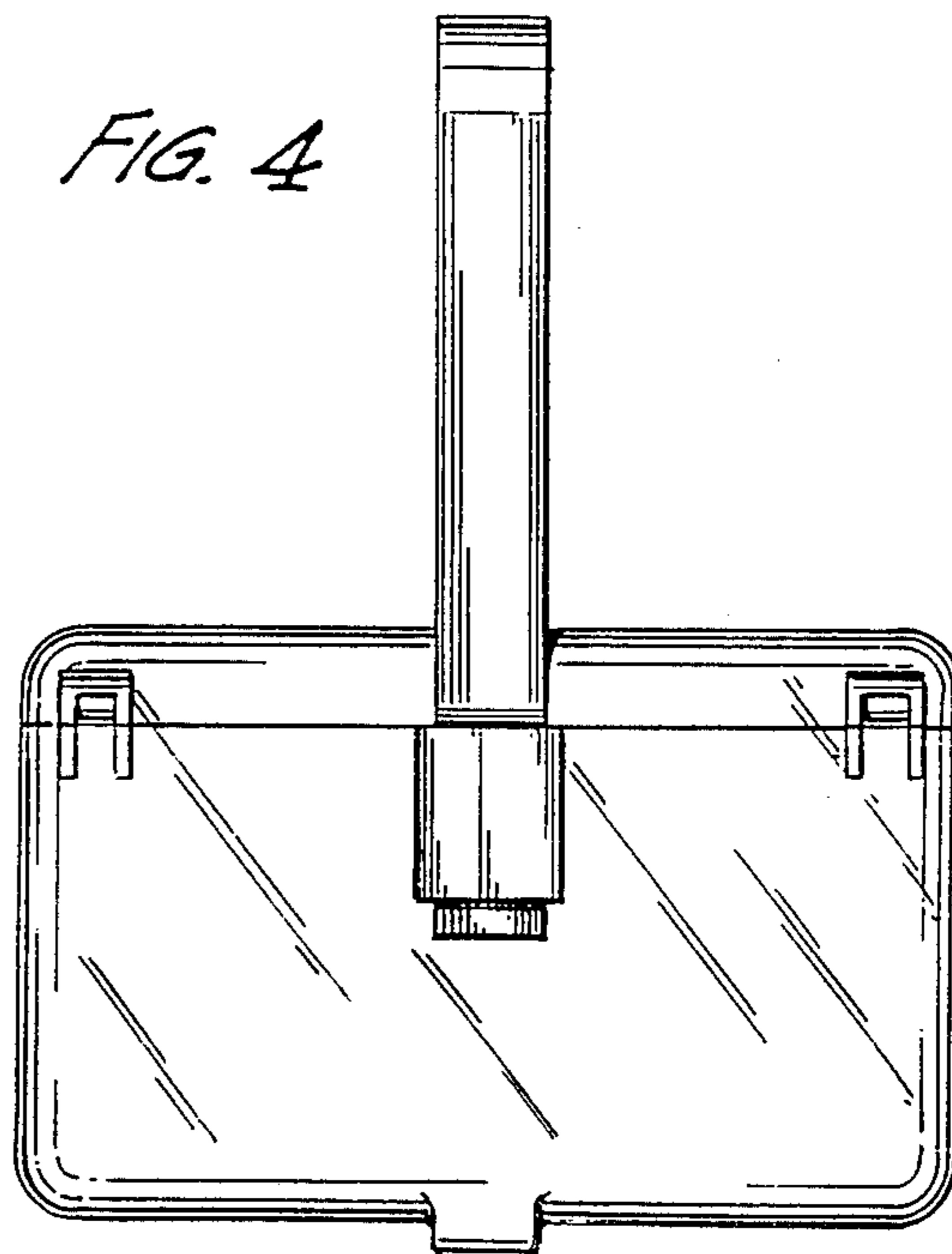


FIG. 5

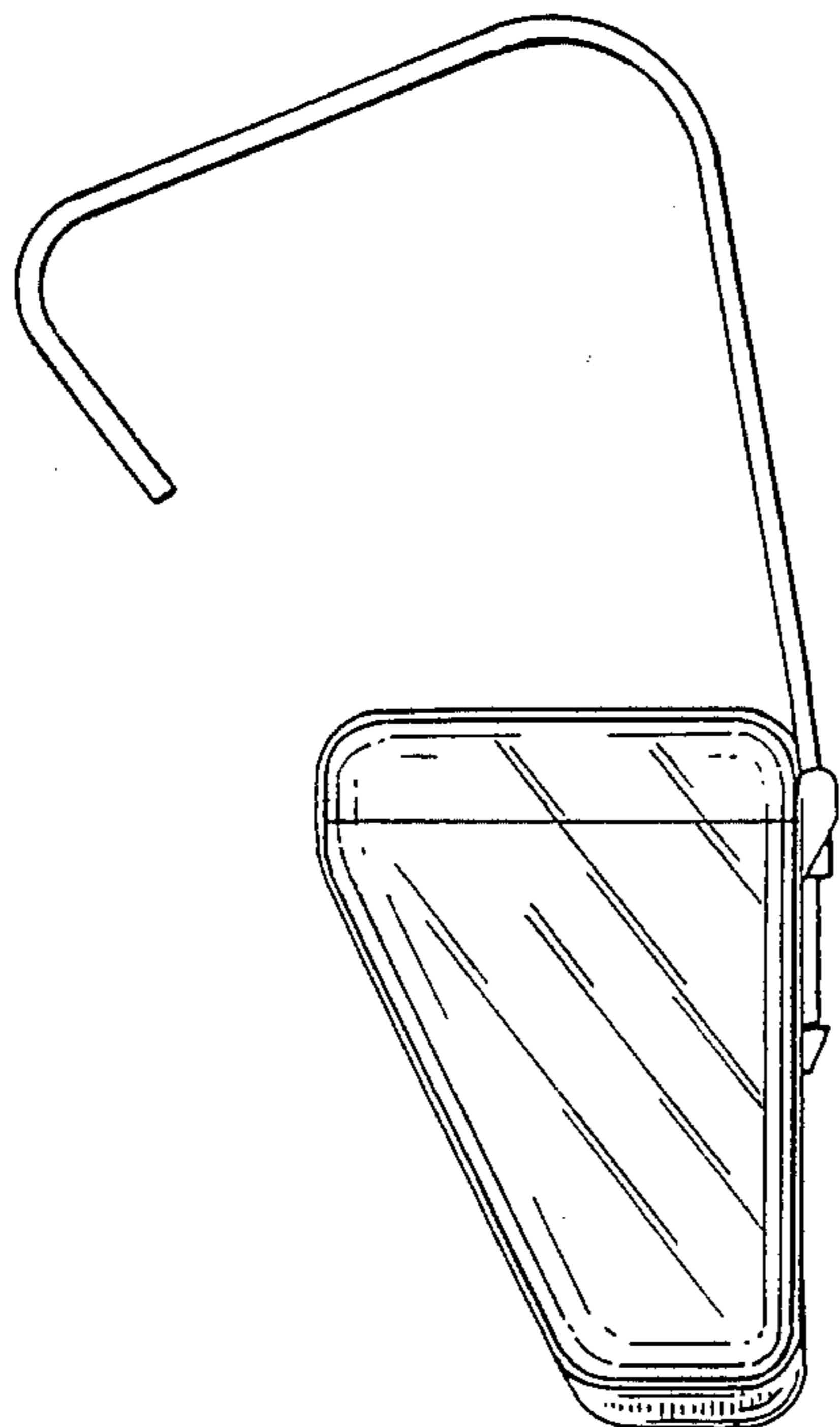


FIG. 6

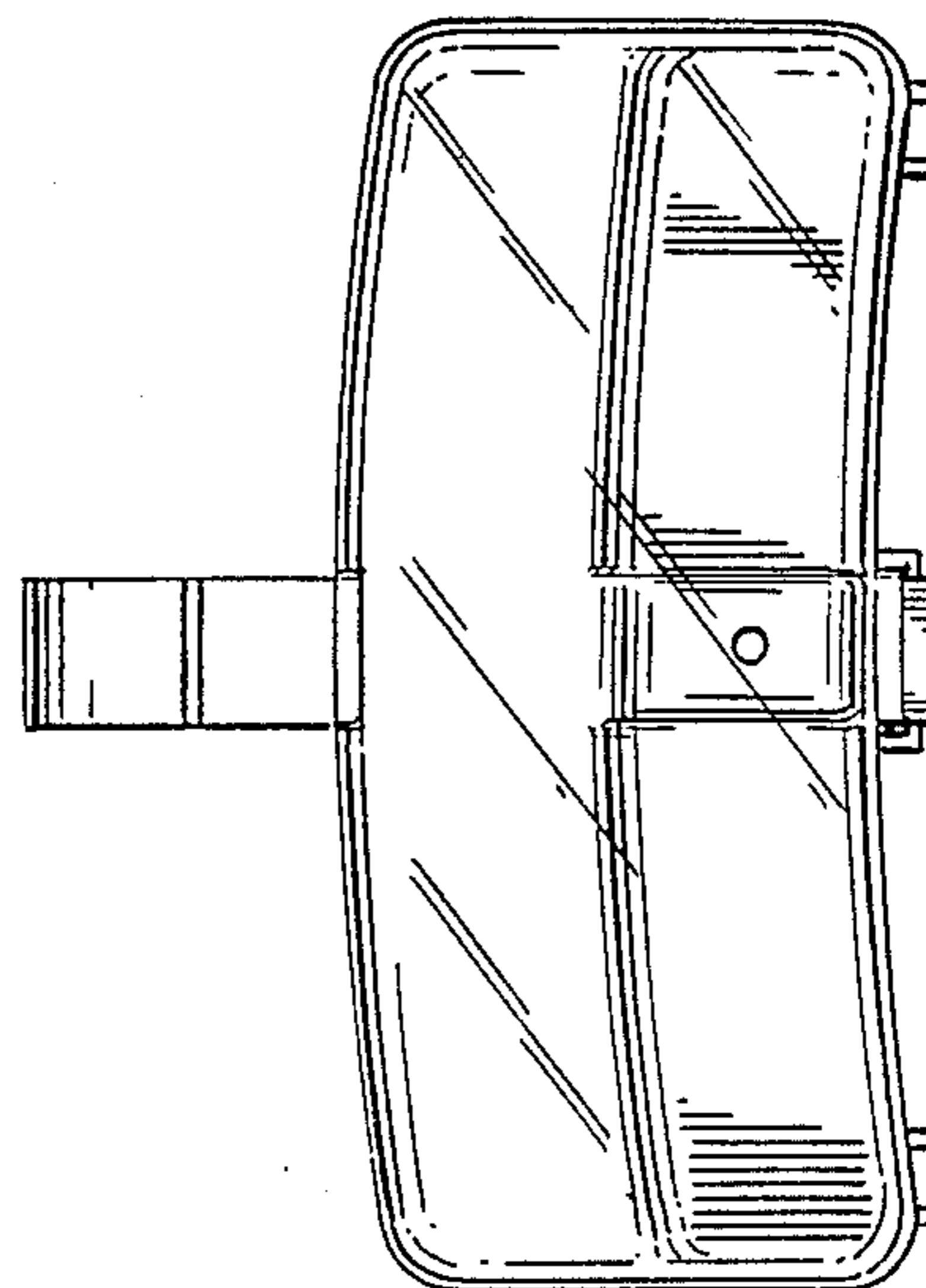


FIG. 7

