

[54] FISHING REEL

[75] Inventors: Etsuo Hiraishi; Teruhisa Numata,
both of Tokyo, Japan

[73] Assignee: Ryobi Ltd., Hiroshima, Japan

[**] Term: 14 Years

[21] Appl. No.: 106,833

[22] Filed: Oct. 13, 1987

[30] Foreign Application Priority Data

Apr. 13, 1987 [JP] Japan 62-14579

[52] U.S. Cl. D22/141

[58] Field of Search D22/141, 140; 242/230,
242/231, 232

[56] References Cited

U.S. PATENT DOCUMENTS

D. 257,170 9/1980 Sakamoto et al. D22/141
D. 294,620 3/1988 Iinuma et al. D22/141

Primary Examiner—A. Hugo Word
Assistant Examiner—Doris V. Coles
Attorney, Agent, or Firm—Sughrue, Mion, Zinn,
Macpeak & Seas

[57] CLAIM

The ornamental design for a fishing reel, as shown.

DESCRIPTION

FIG. 1 is a front, top and left side perspective view of a fishing reel showing our new design; FIG. 2 is a right side elevational view thereof; FIG. 3 is a left side elevational view thereof; FIG. 4 is a top plan view thereof; FIG. 5 is a bottom plan view thereof; FIG. 6 is a front elevational view thereof; and FIG. 7 is a rear elevational view thereof.

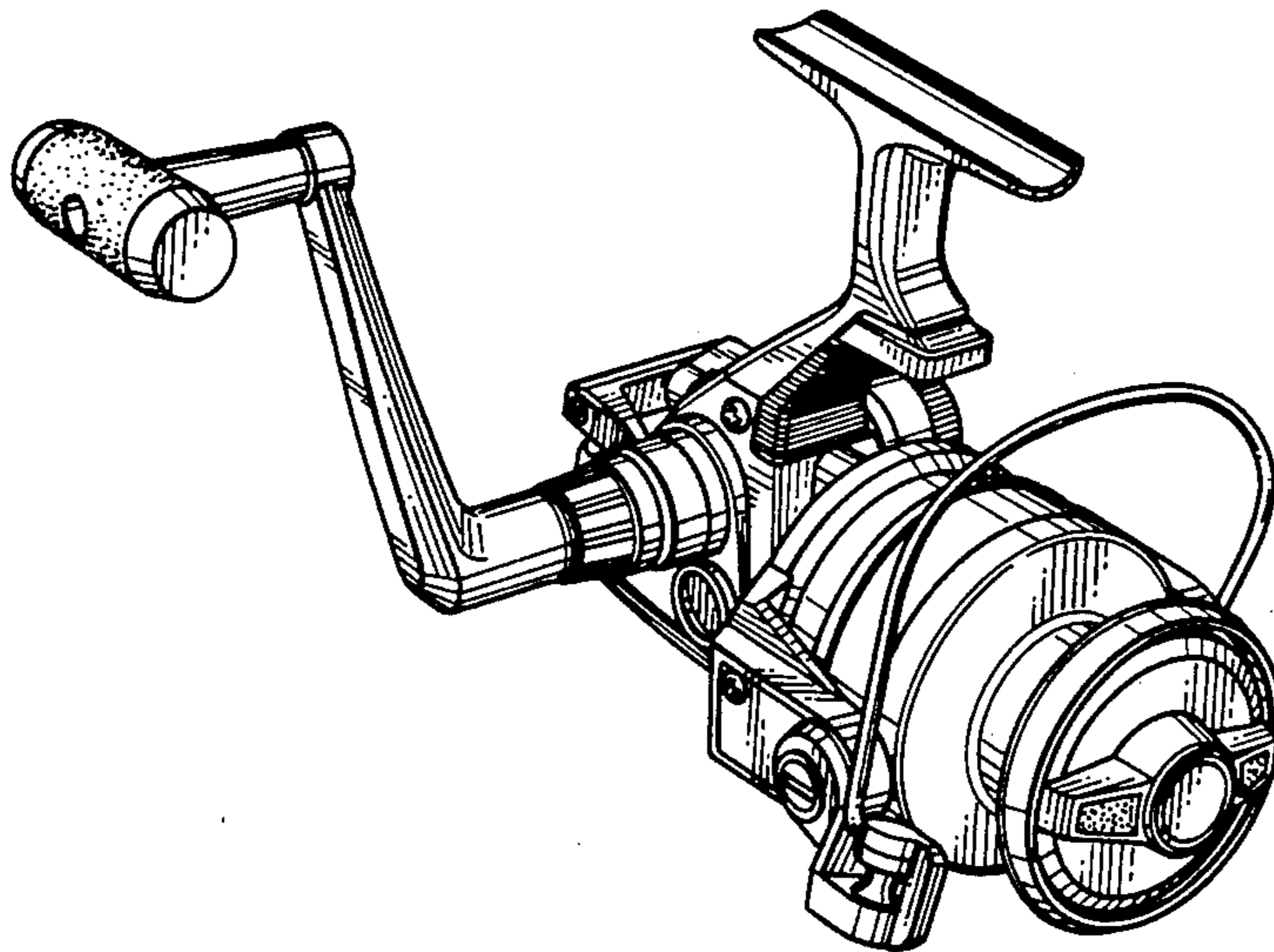


Fig. 1

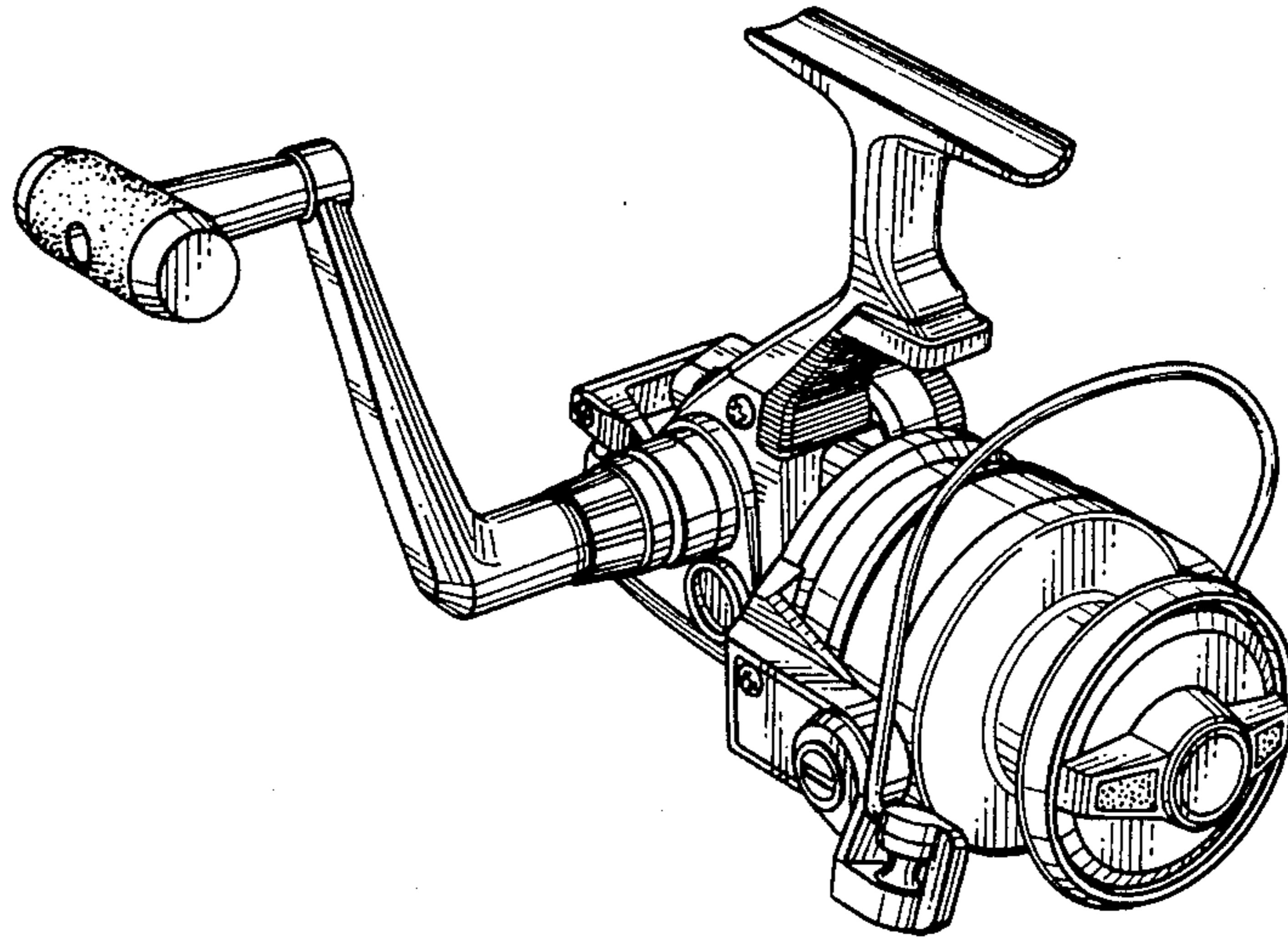


Fig. 2

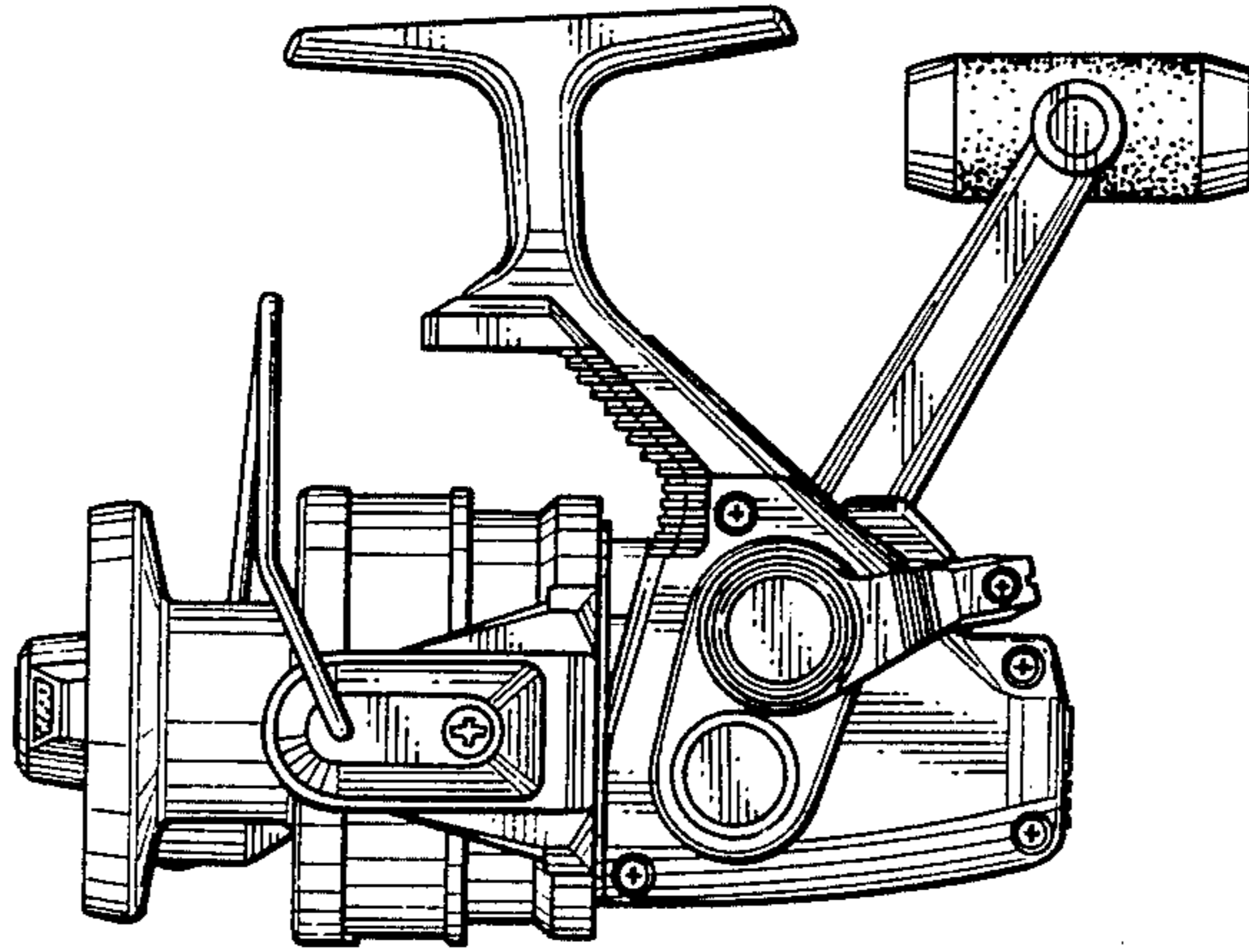


Fig. 3

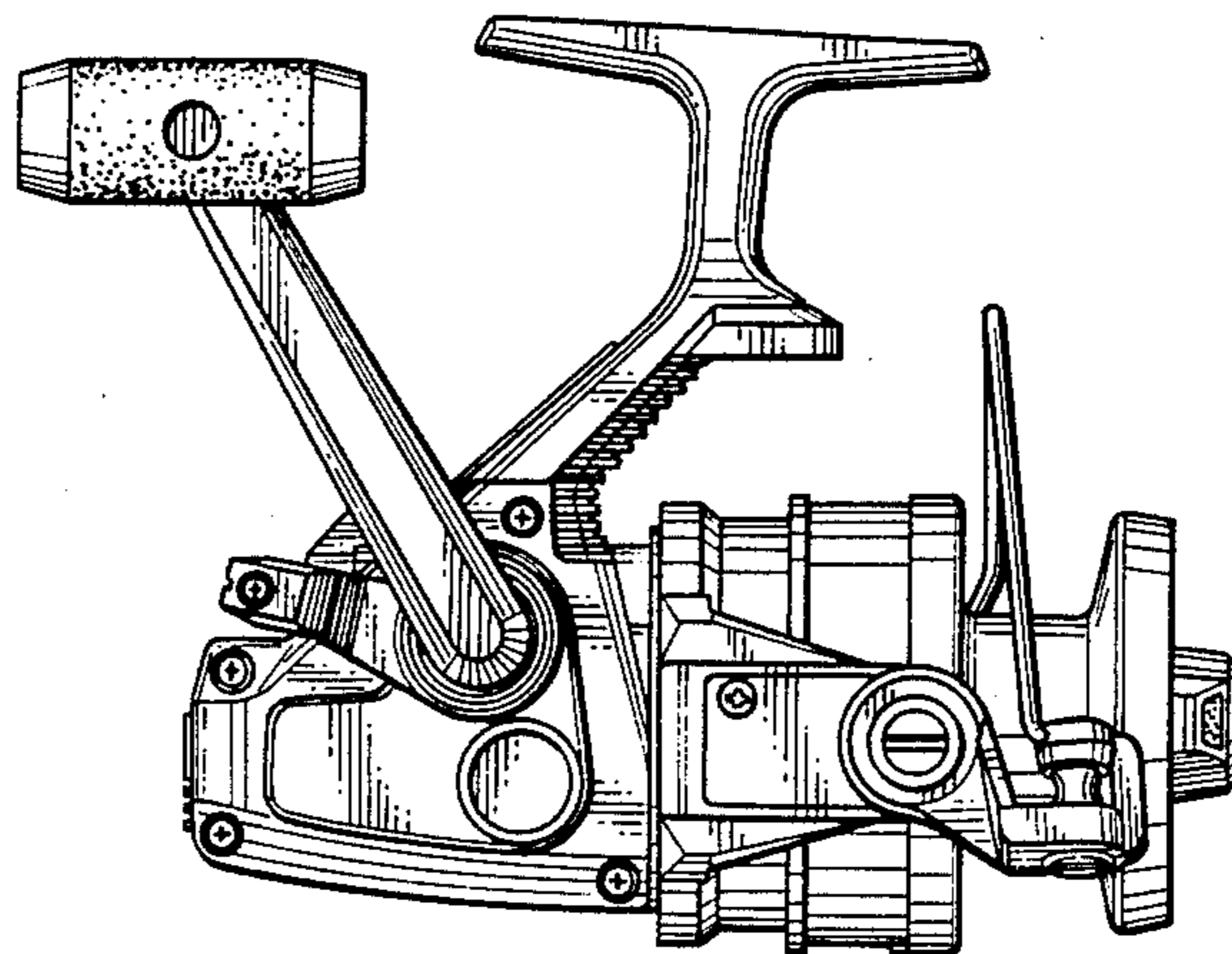


Fig. 4

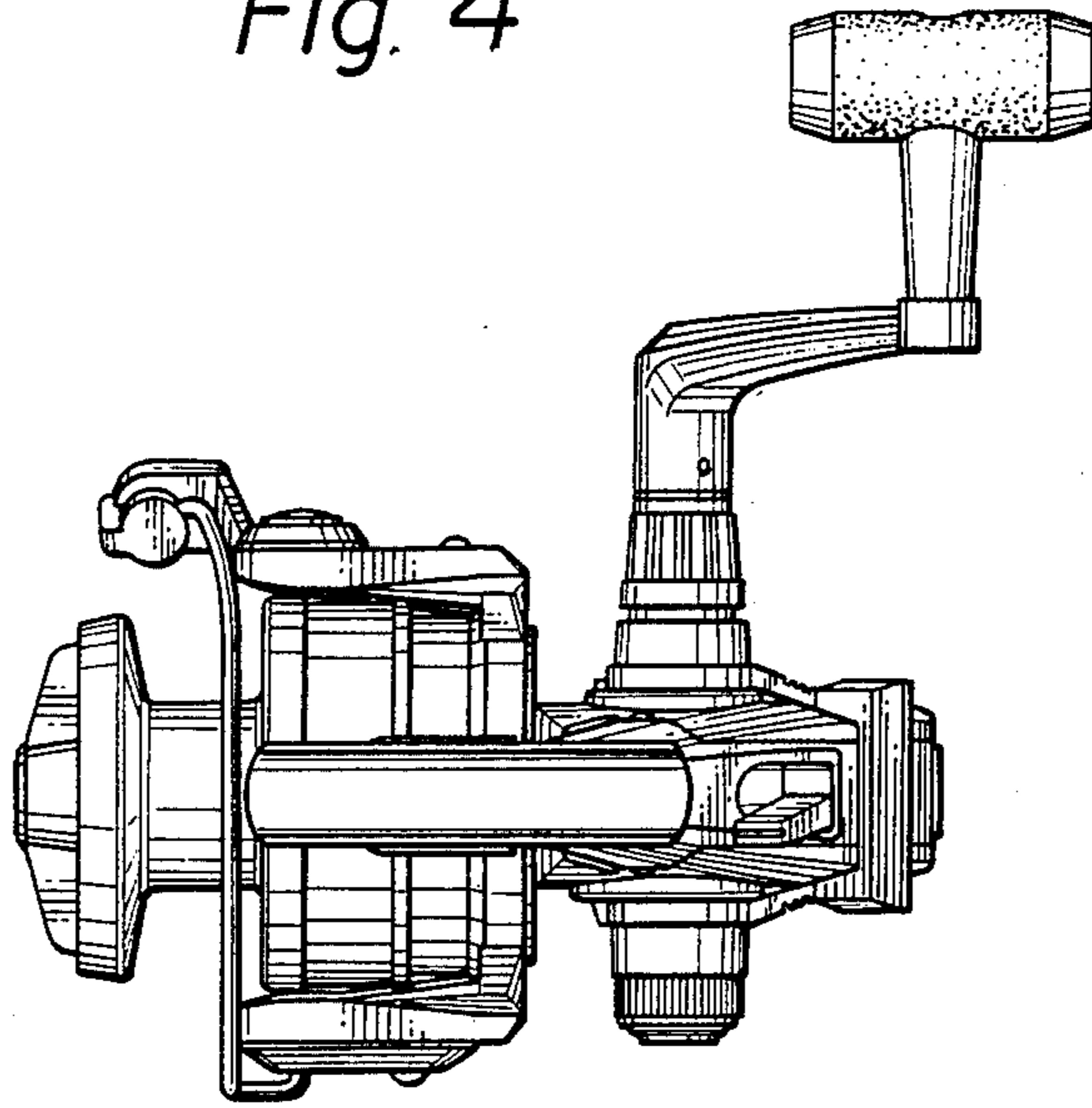


Fig. 5

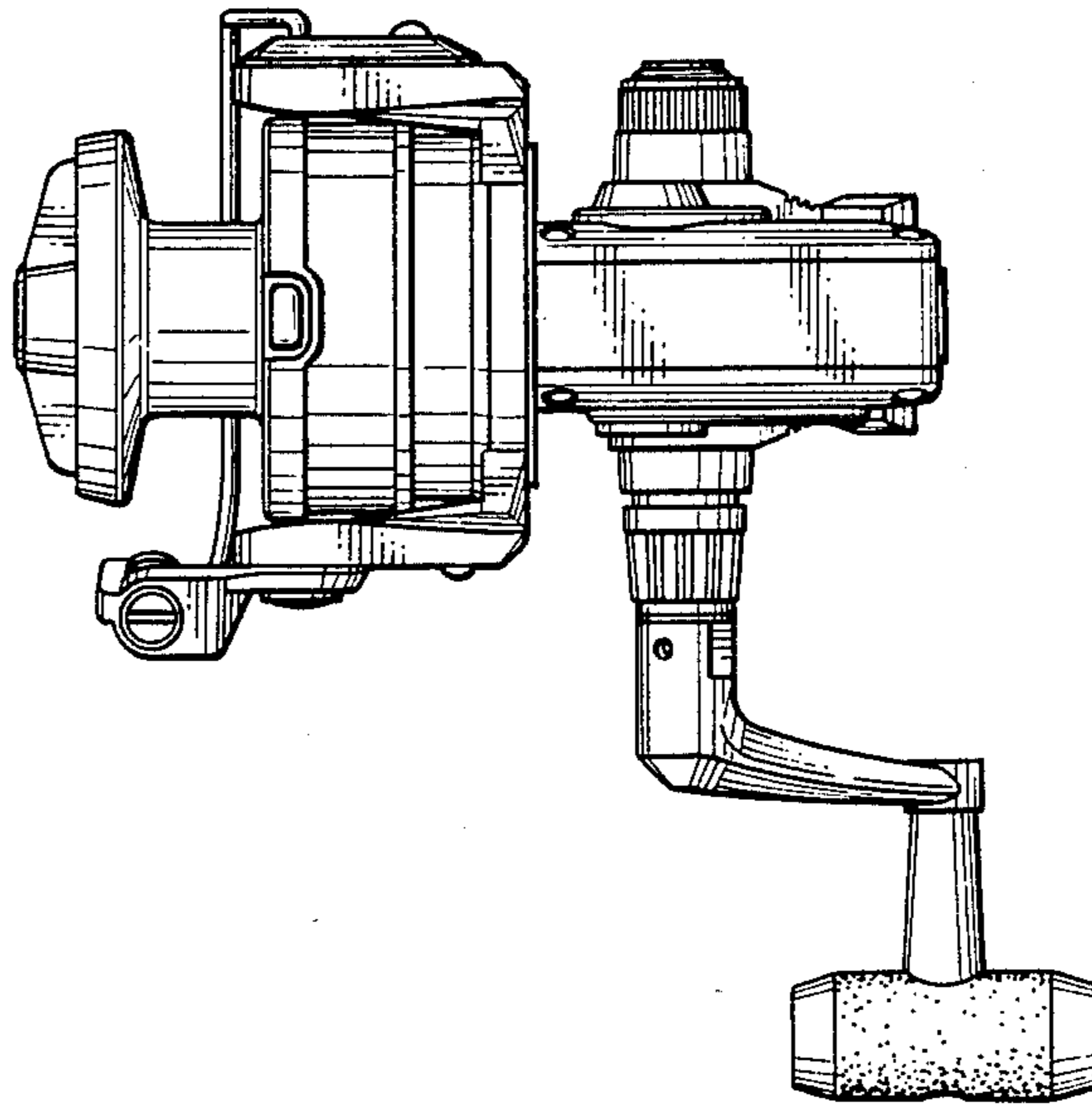


Fig. 6

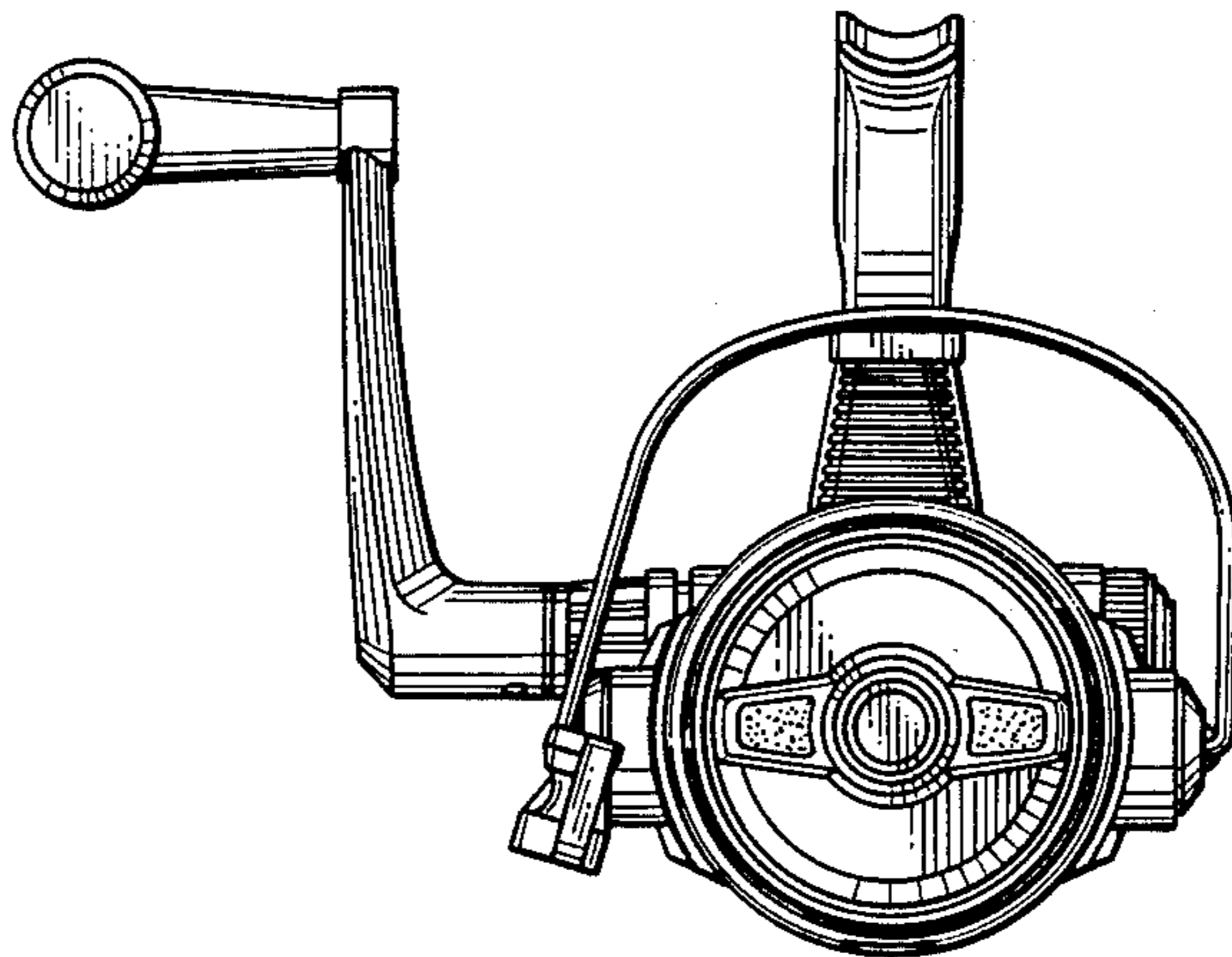


Fig. 7

