

[54] REEL FOR FISHING

D. 294,516 3/1988 Sakamoto et al. .... D22/140

[75] Inventors: Yasuhisa Kameda, Musashino;  
Michiki Kawai; Kaoru Masubuchi,  
both of Higashikurume, all of Japan

Primary Examiner—A. Hugo Word  
Assistant Examiner—Doris V. Coles  
Attorney, Agent, or Firm—Bacon & Thomas

[73] Assignee: Daiwa Seiko, Inc., Tokyo, Japan

[57] CLAIM

[\*\*] Term: 14 Years

The ornamental design for a reel for fishing, as shown and described.

[21] Appl. No.: 140,413

DESCRIPTION

[22] Filed: Jan. 4, 1988

[30] Foreign Application Priority Data

Jul. 10, 1987 [JP] Japan ..... 62-28200

[52] U.S. Cl. .... D22/140

[58] Field of Search ..... D22/140, 141;  
242/223-224, 257-262, 279

FIG. 1 is a front perspective view of a reel for fishing showing our new design;

FIG. 2 is a rear perspective view thereof;

FIG. 3 is a front elevational view thereof;

FIG. 4 is a right side elevational view thereof;

FIG. 5 is a top plan view thereof;

FIG. 6 is a rear elevational view thereof;

FIG. 7 is a left side elevational view thereof;

FIG. 8 is a bottom plan view thereof; and

FIG. 9 is a front perspective view thereof, the broken-line showing of a rod being environmental only and forming no part of the claimed design.

[56] References Cited

U.S. PATENT DOCUMENTS

D. 273,218 3/1984 Atobe et al. .... D22/140

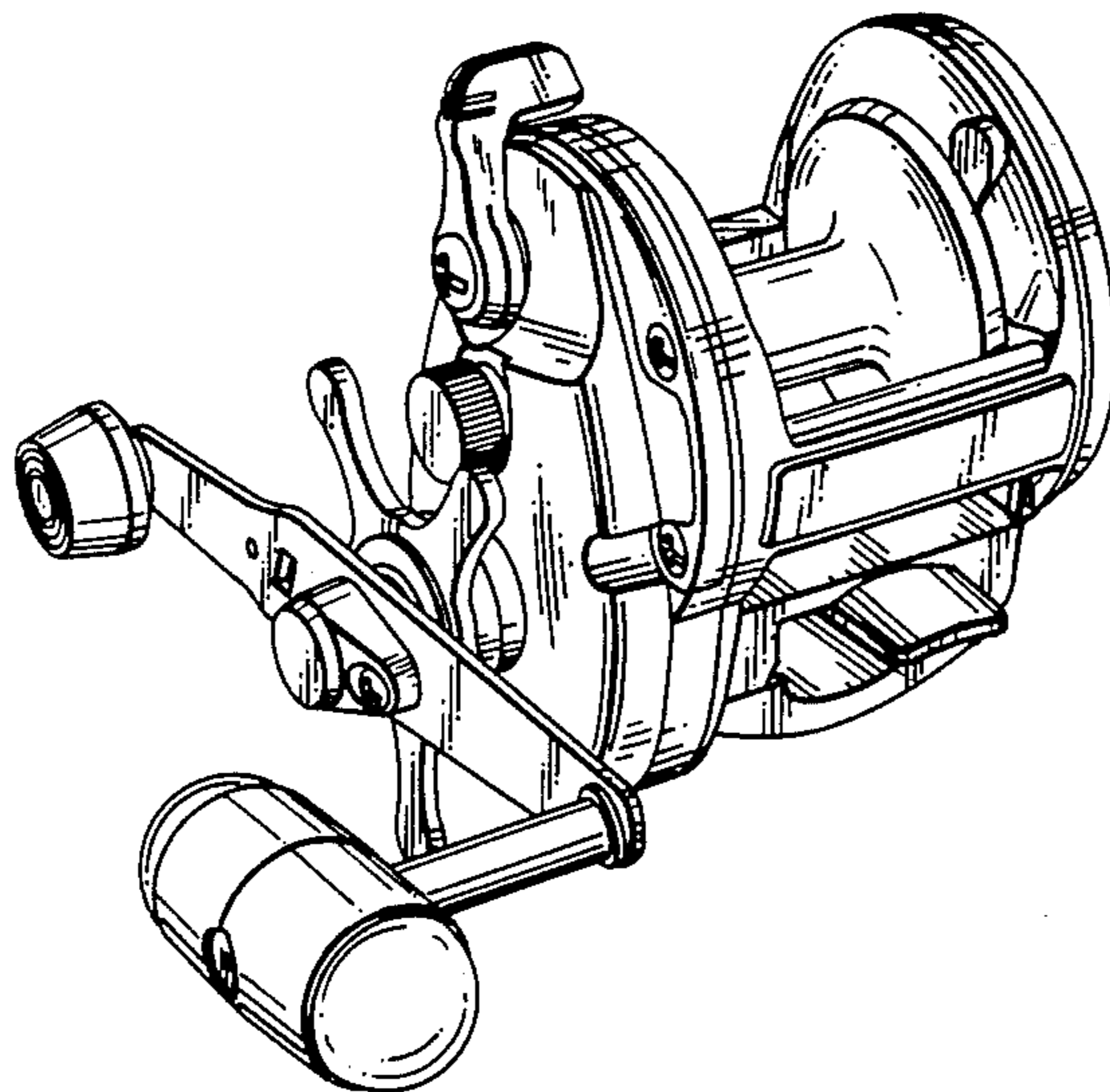


FIG. 1

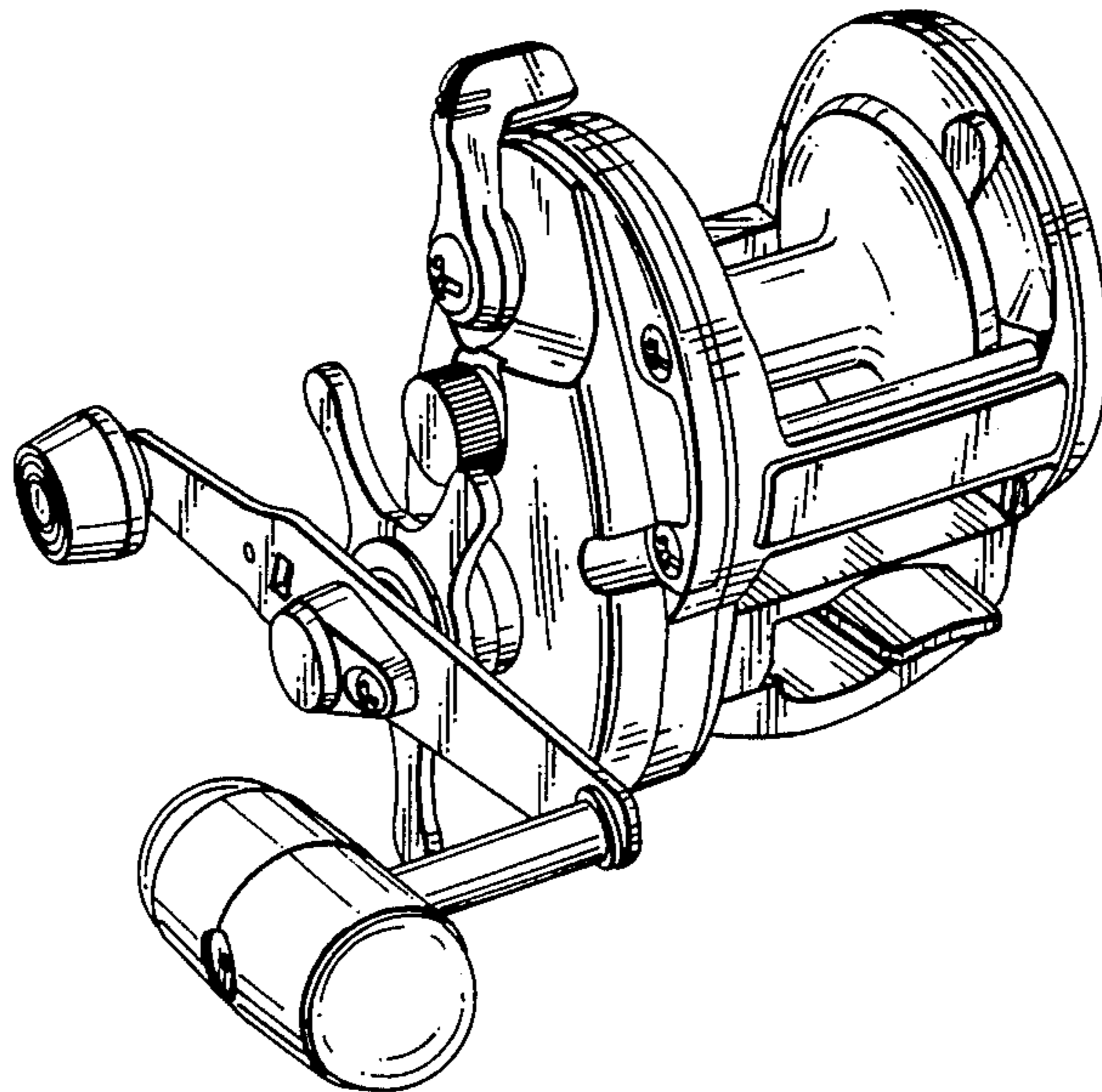


FIG. 2

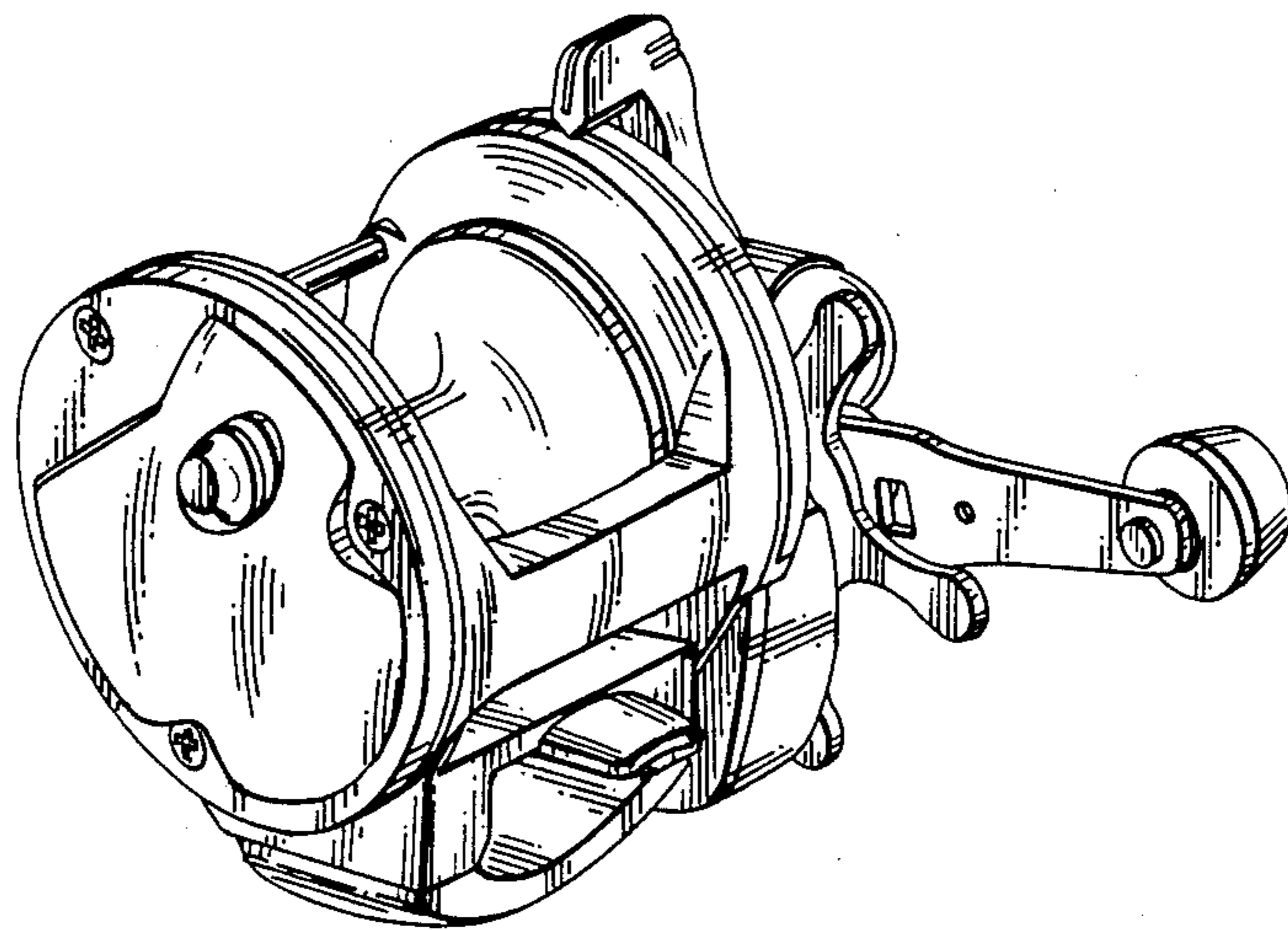


FIG. 3

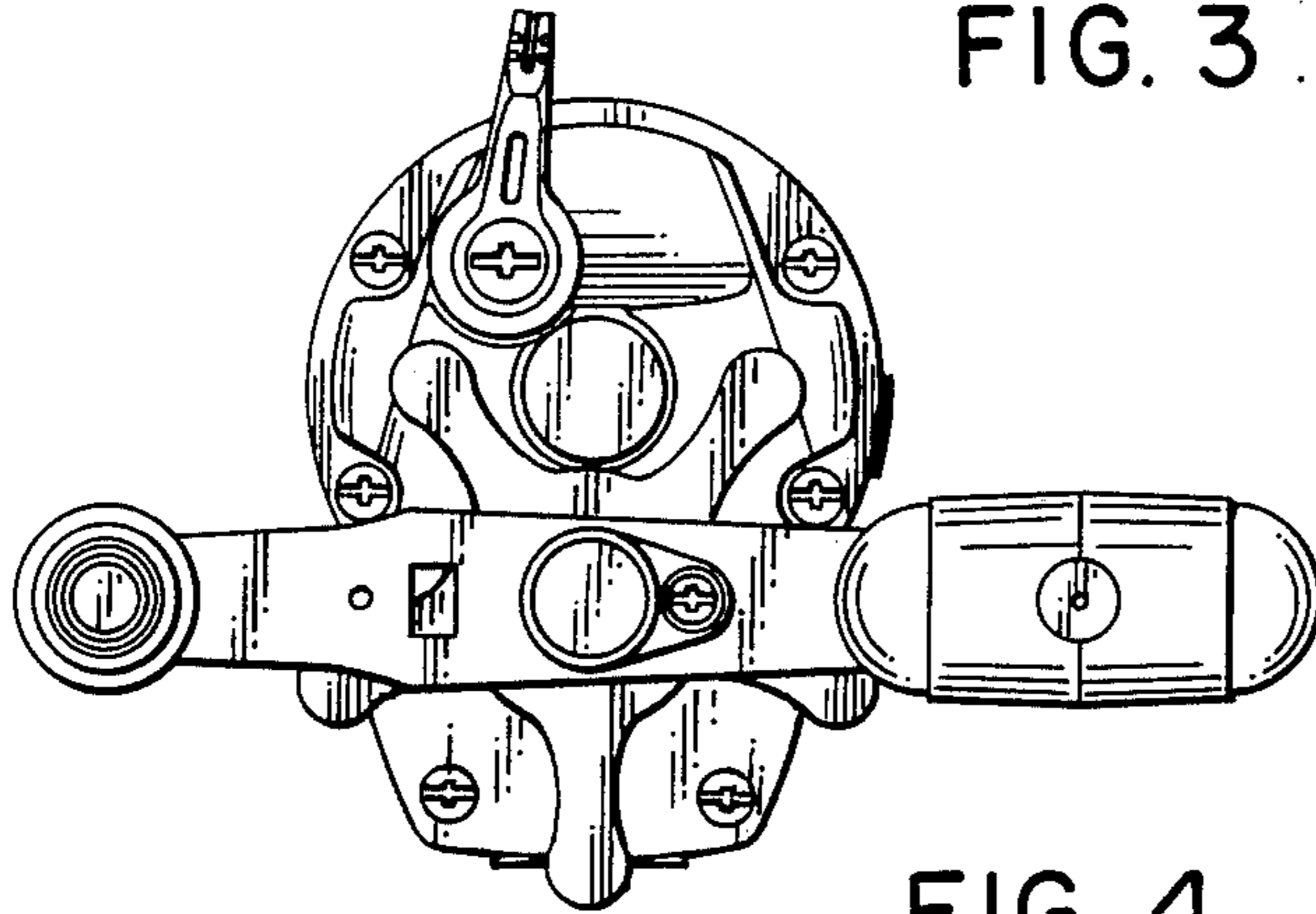


FIG. 4

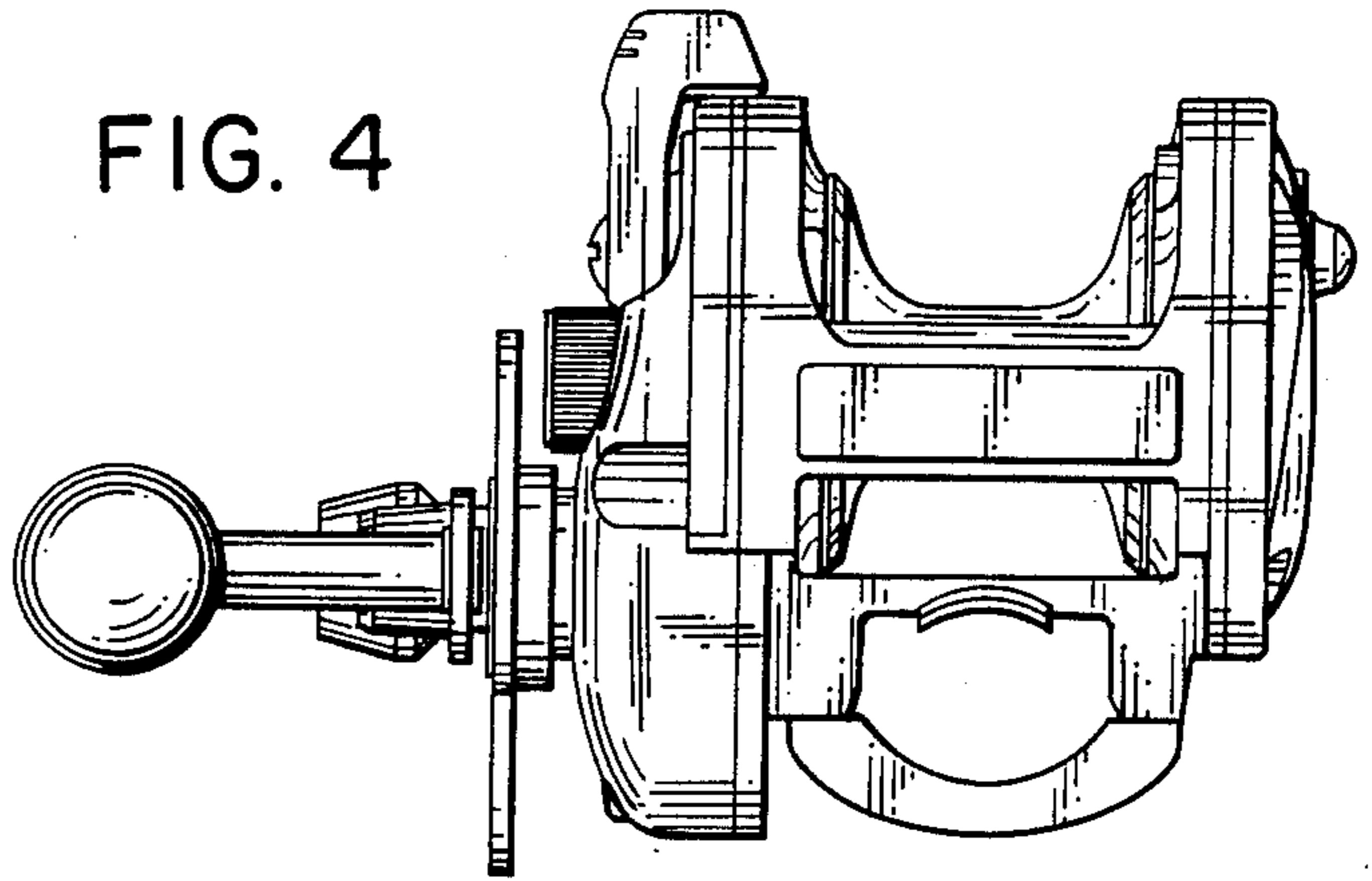


FIG. 5

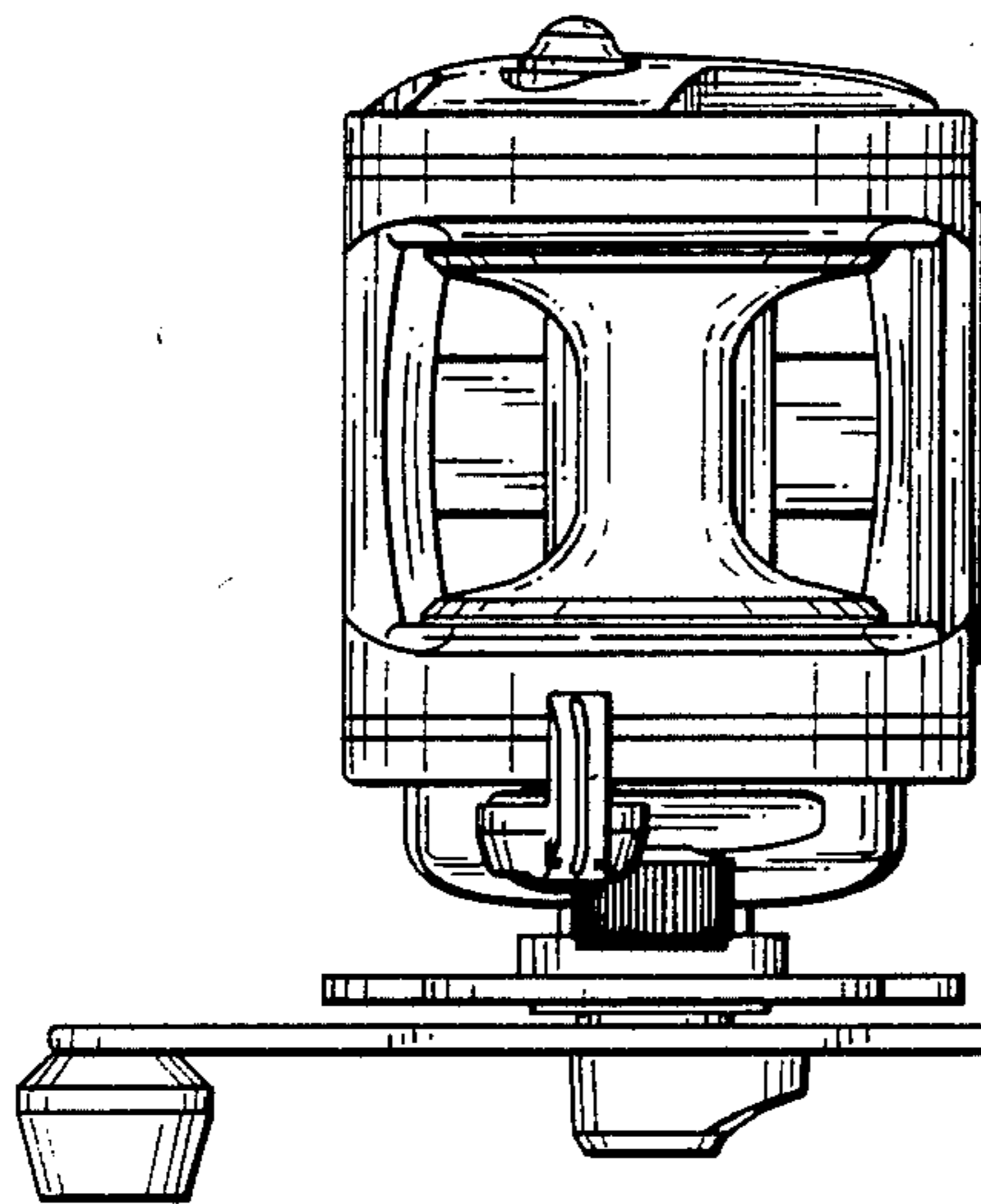


FIG. 6

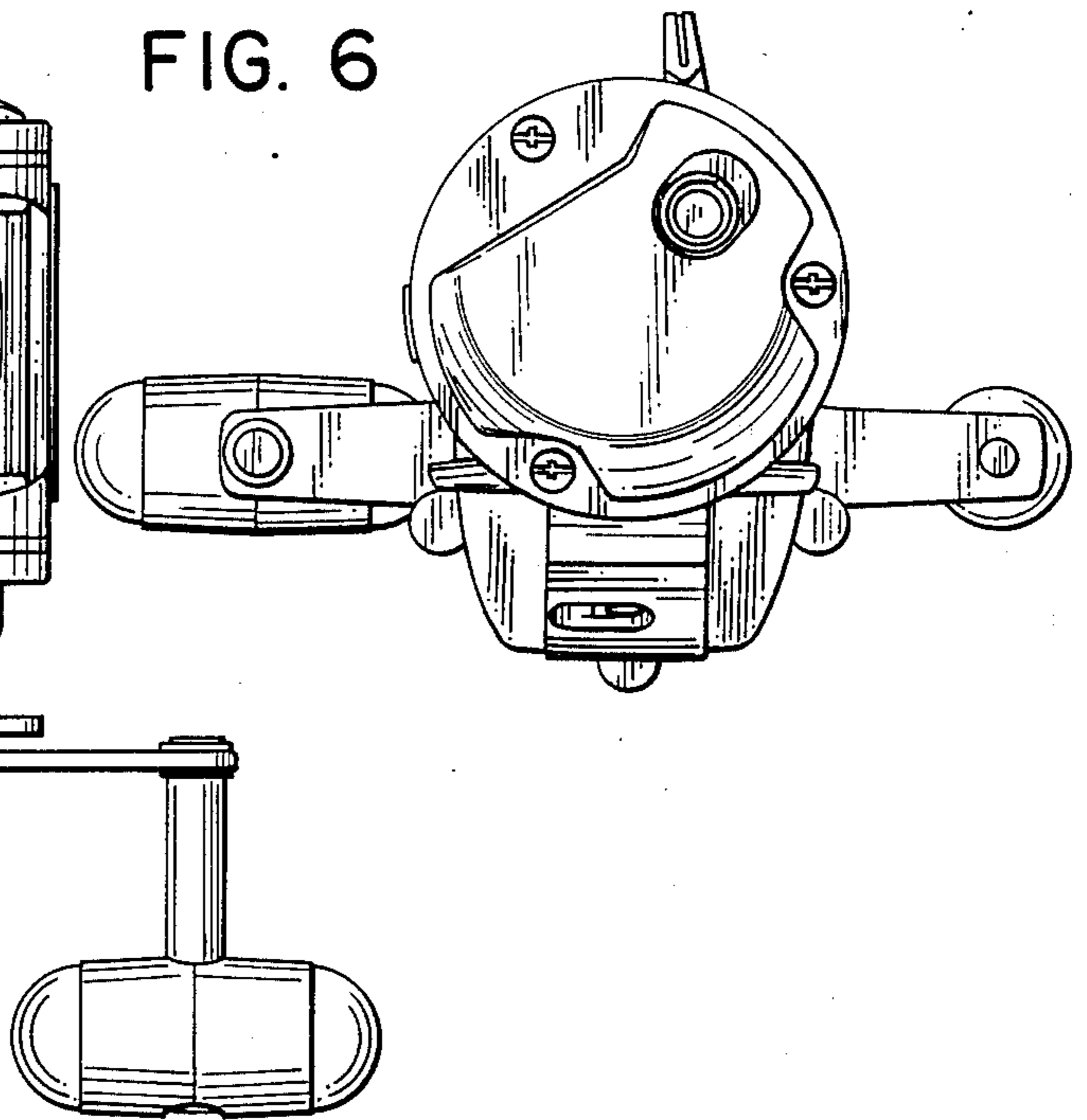


FIG. 7

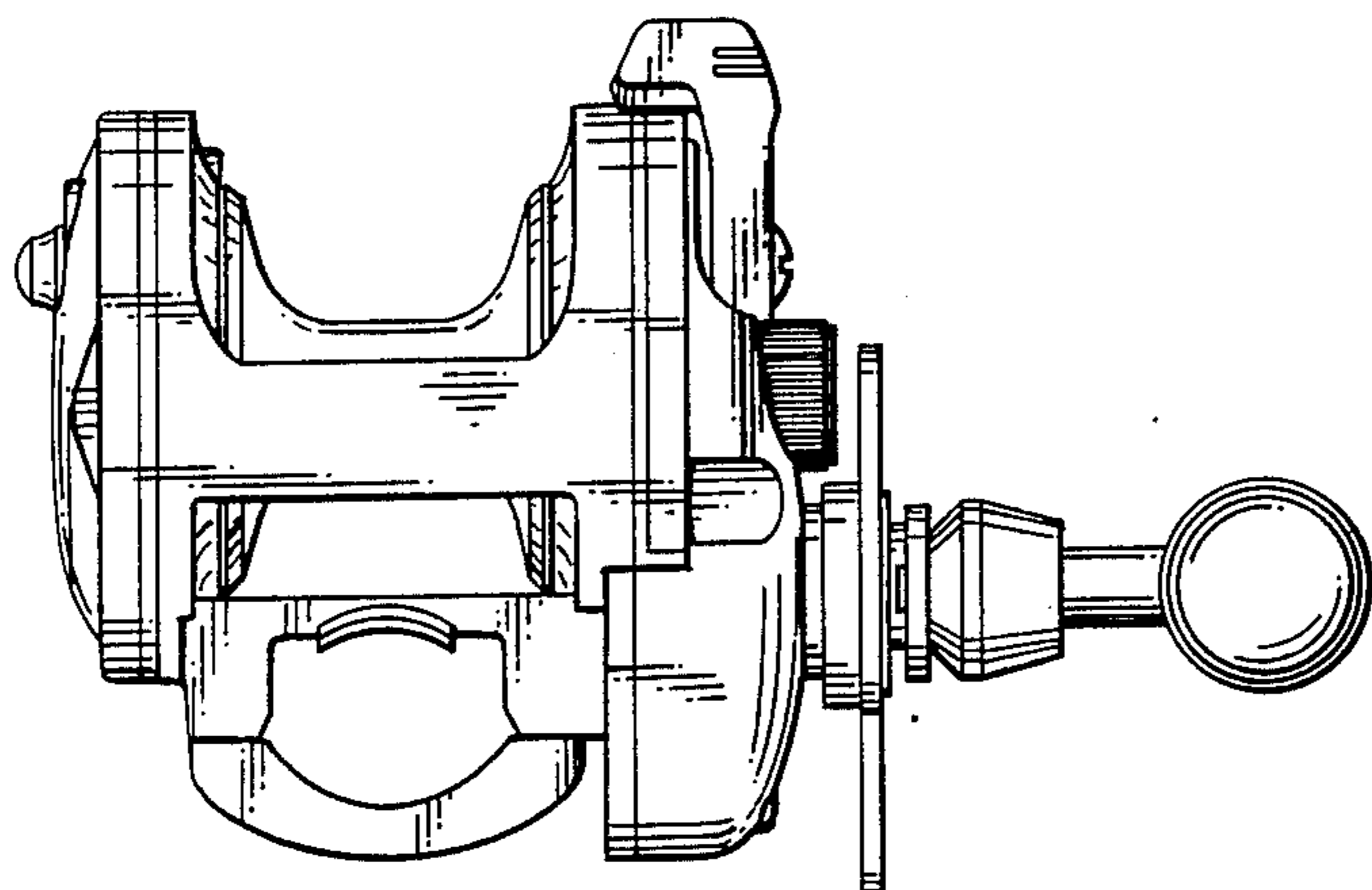


FIG. 8

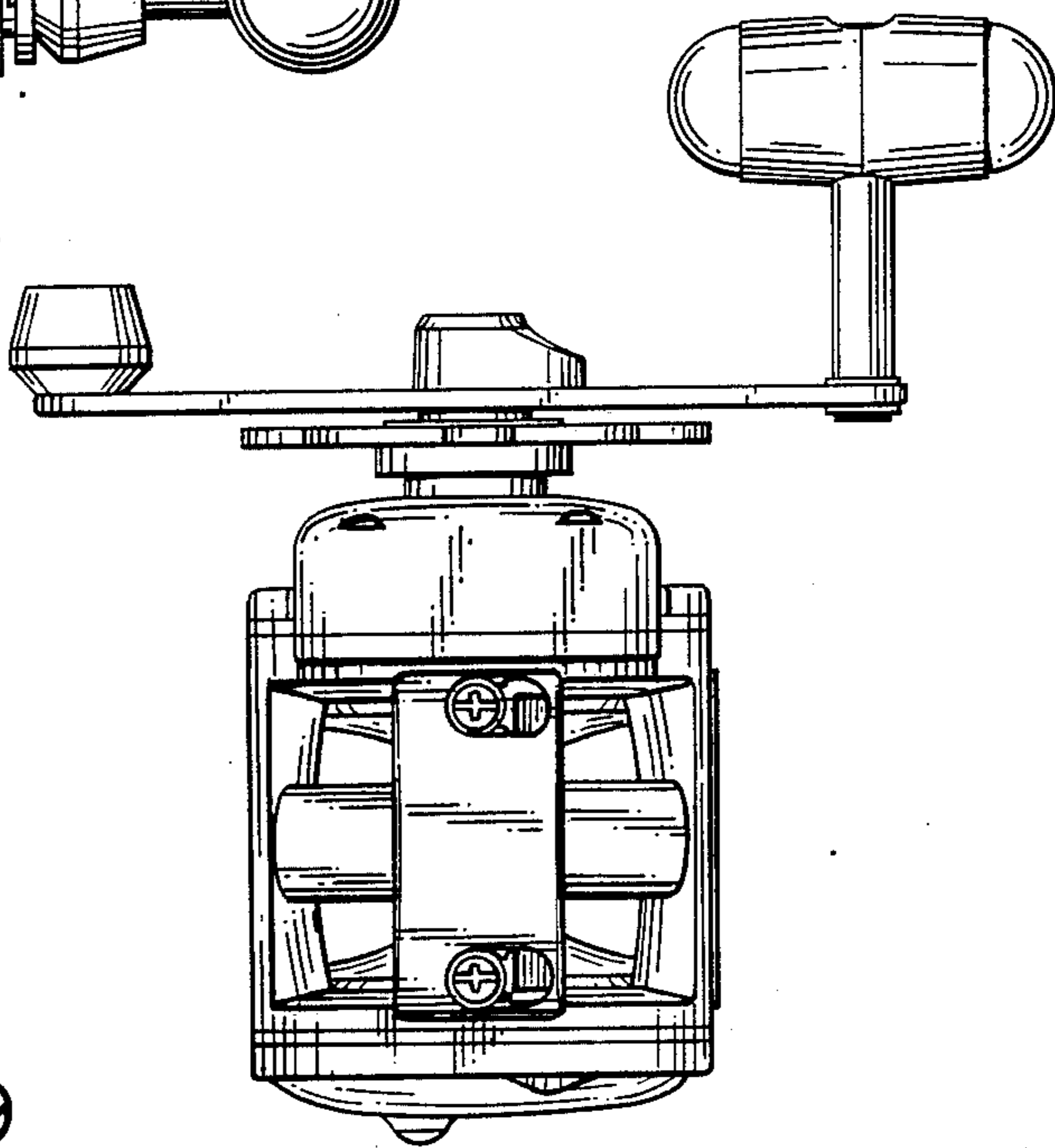


FIG. 9

