

[54] GREEN FORK

[76] Inventor: Polis P. Koutroukides, 161
Empangeni Street, Paulshof,
Sandton, Transvaal, South Africa

[**] Term: 14 Years

[21] Appl. No.: 113,669

[22] Filed: Aug. 31, 1987

[30] Foreign Application Priority Data

Mar. 2, 1987 [ZA] South Africa 87/0142
[52] U.S. Cl. D21/234
[58] Field of Search D21/234; 273/32 B

[56] References Cited

U.S. PATENT DOCUMENTS

4,627,621 12/1986 Tate 273/32 B

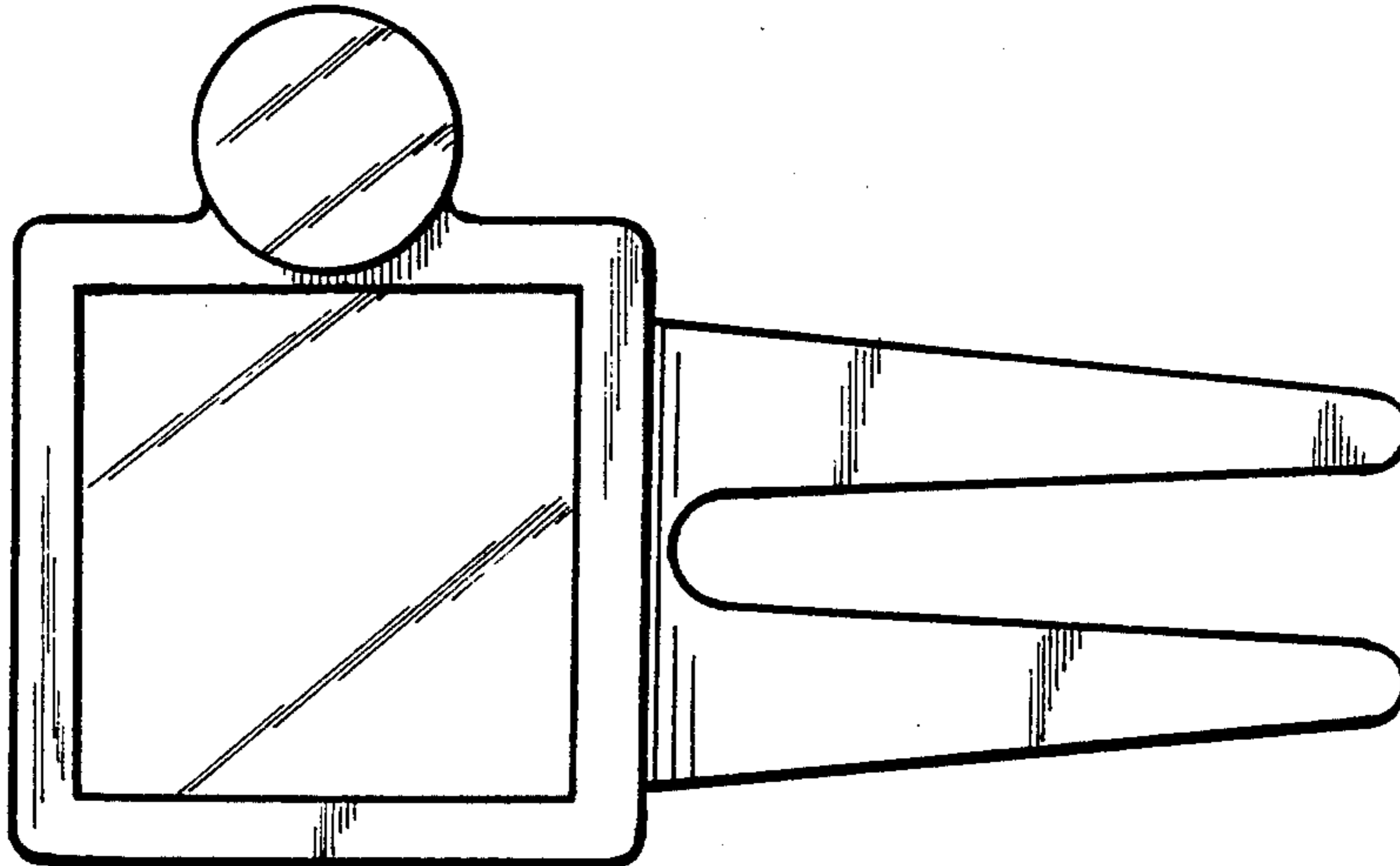
Primary Examiner—Charles A. Rademaker
Assistant Examiner—David Jeo
Attorney, Agent, or Firm—Mason, Fenwick & Lawrence

[57] CLAIM

The ornamental design for a green fork, as shown.

DESCRIPTION

FIG. 1 is a front elevational view of a green fork showing my new design;
FIG. 2 is a right side elevational view thereof;
FIG. 3 is a rear elevational view thereof; and
FIG. 4 is a left side elevational view thereof.



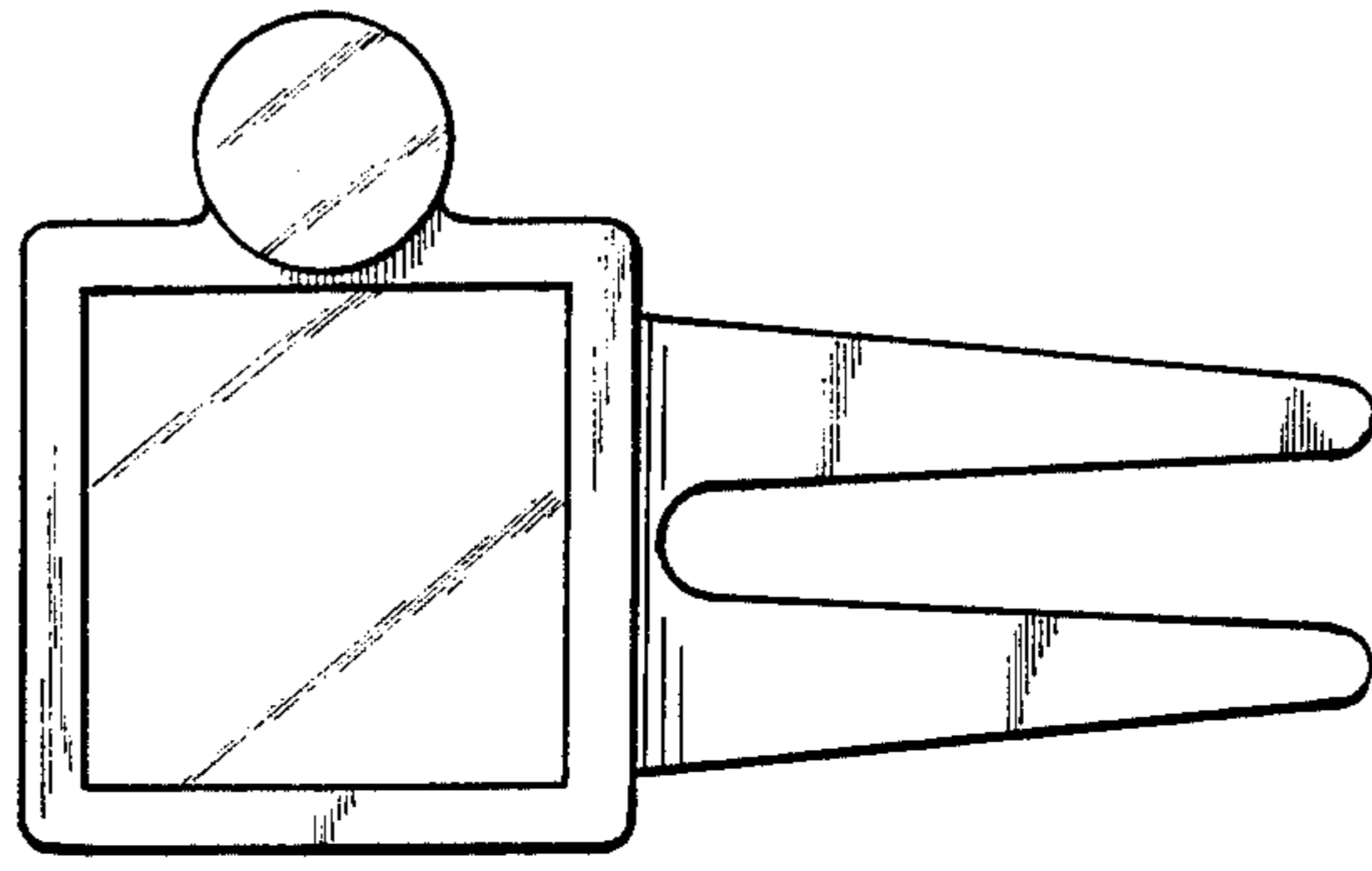


FIG _ 1



FIG _ 2

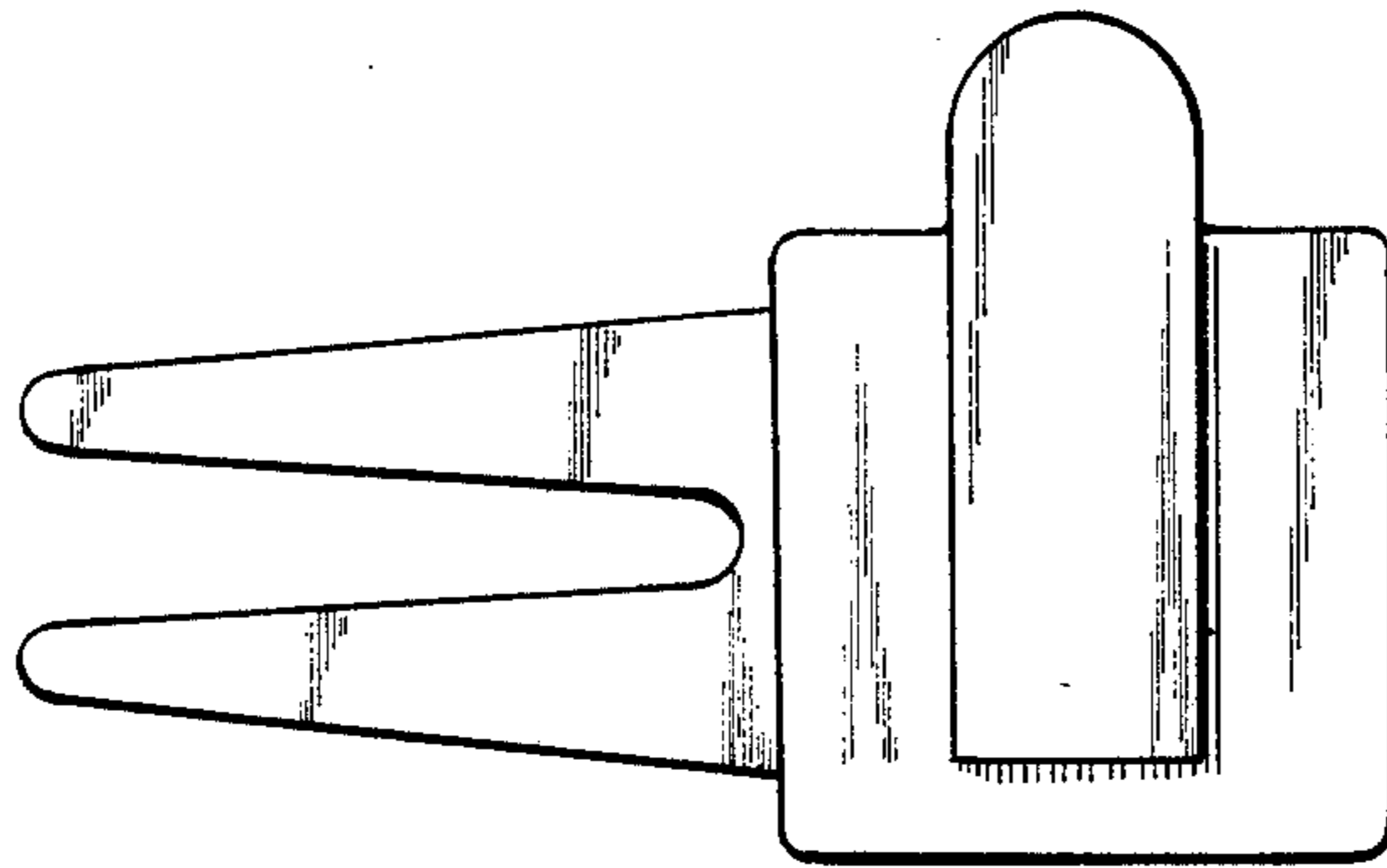


FIG _ 3



FIG _ 4