

[54] GOLF CLUB PUTTER HEAD

[75] Inventor: David D. Boone, El Toro, Calif.

[73] Assignee: Lynx Golf, Inc., City of Industry, Calif.

[\*\*] Term: 14 Years

[21] Appl. No.: 34,580

[22] Filed: Apr. 20, 1987

[52] U.S. Cl. .... D21/219

[58] Field of Search ..... D21/214-220; 273/163, 167-175, 77, 78 R

[56] References Cited

U.S. PATENT DOCUMENTS

- D. 218,178 7/1970 Solheim ..... D21/217
- D. 238,285 12/1975 Ross ..... D21/217

OTHER PUBLICATIONS

Golf World, May 4, 1972, p. 9, Acushnet Putter.

Primary Examiner—Melvin B. Feifer  
Attorney, Agent, or Firm—Leonard Tachner

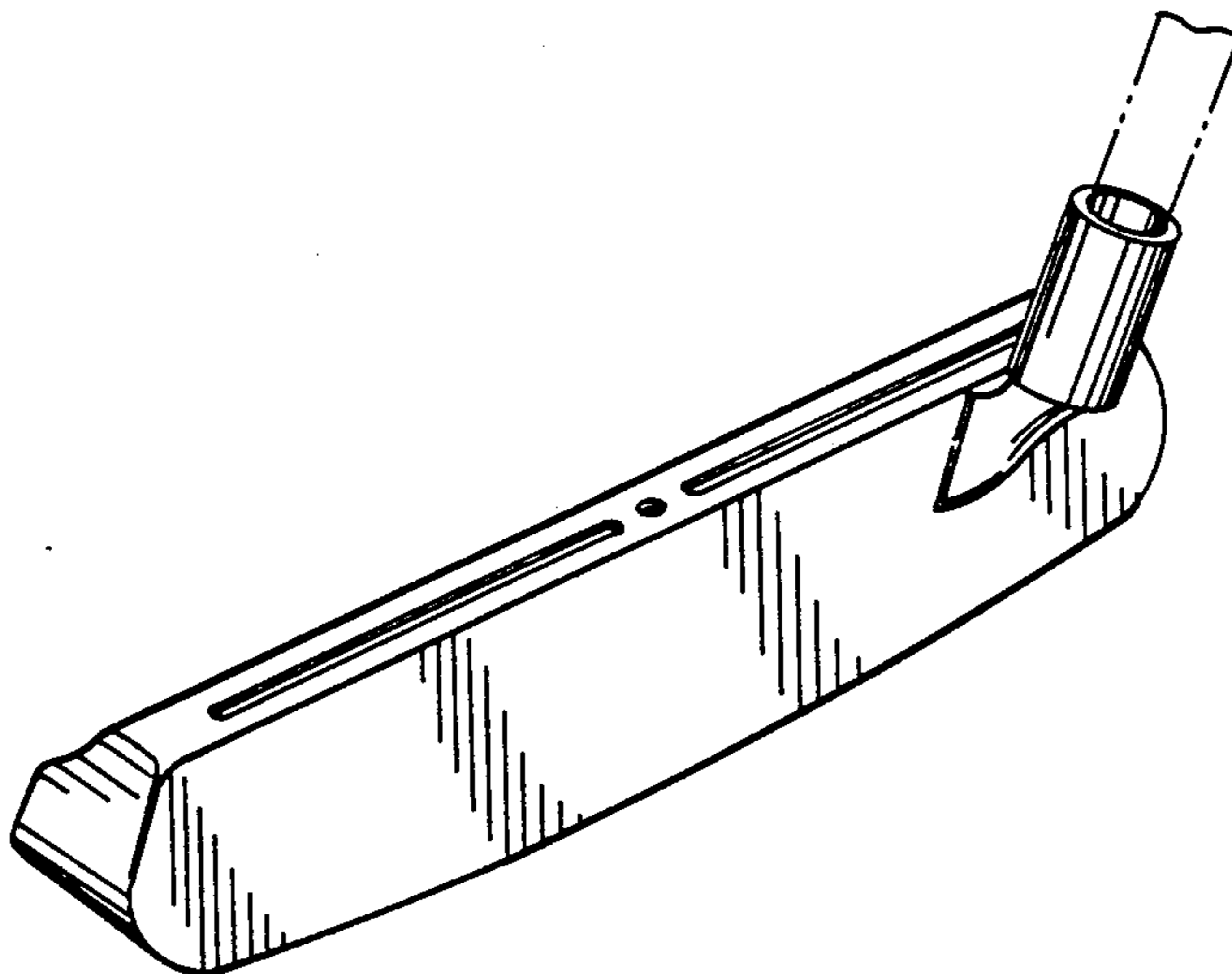
[57] CLAIM

The ornamental design for an golf club putter head, as shown and described.

DESCRIPTION

FIG. 1 is a front perspective view of a golf club putter head showing my new design;  
 FIG. 2 is a top plan view thereof;  
 FIG. 3 is a rear elevation thereof;  
 FIG. 4 is a front elevation thereof;  
 FIG. 5 is a bottom plan view thereof;  
 FIG. 6 is a toe end view thereof; and  
 FIG. 7 is a heel end view.

The broken line showing of a shaft portion is for illustrative purposes only.



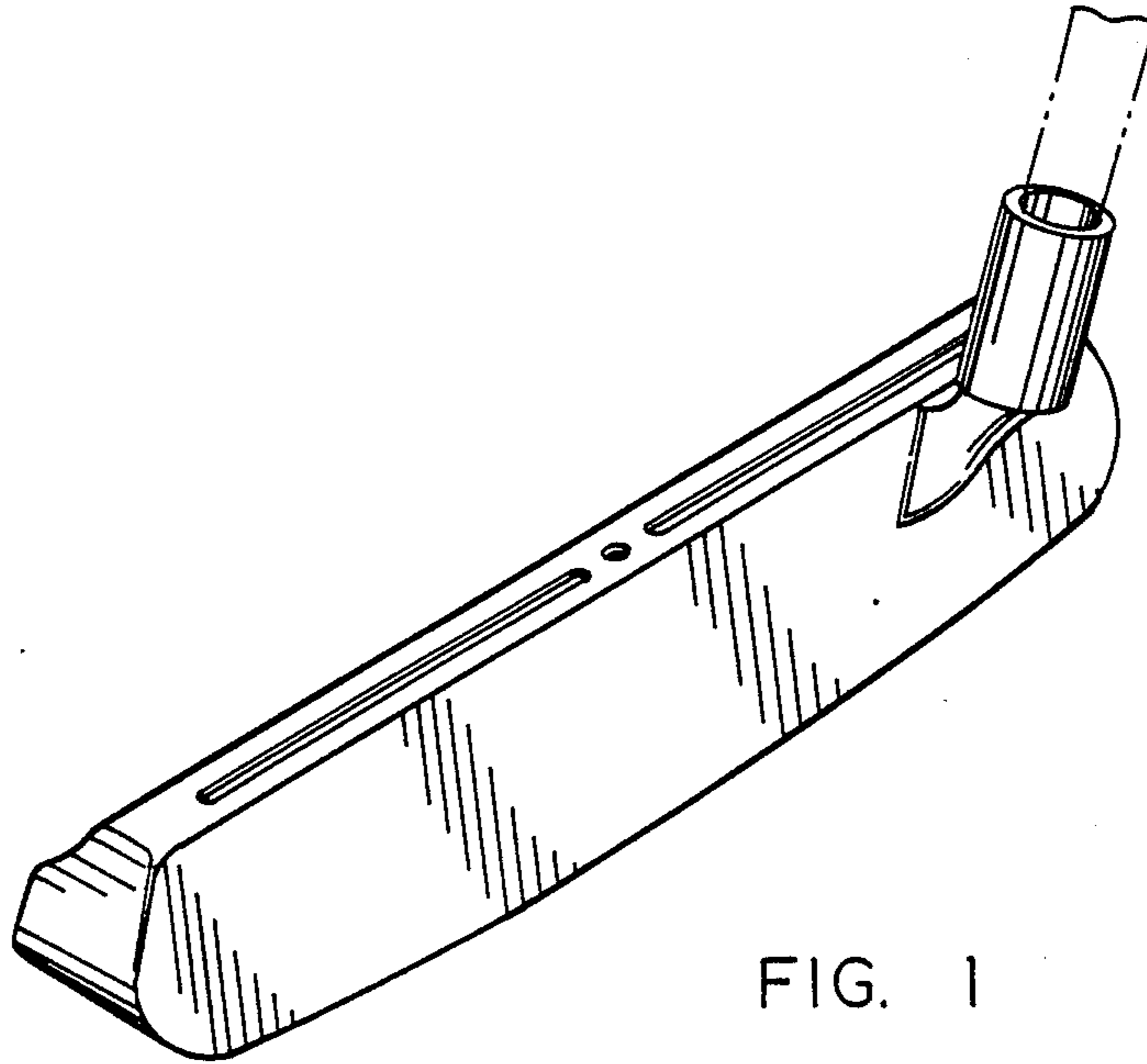


FIG. 1

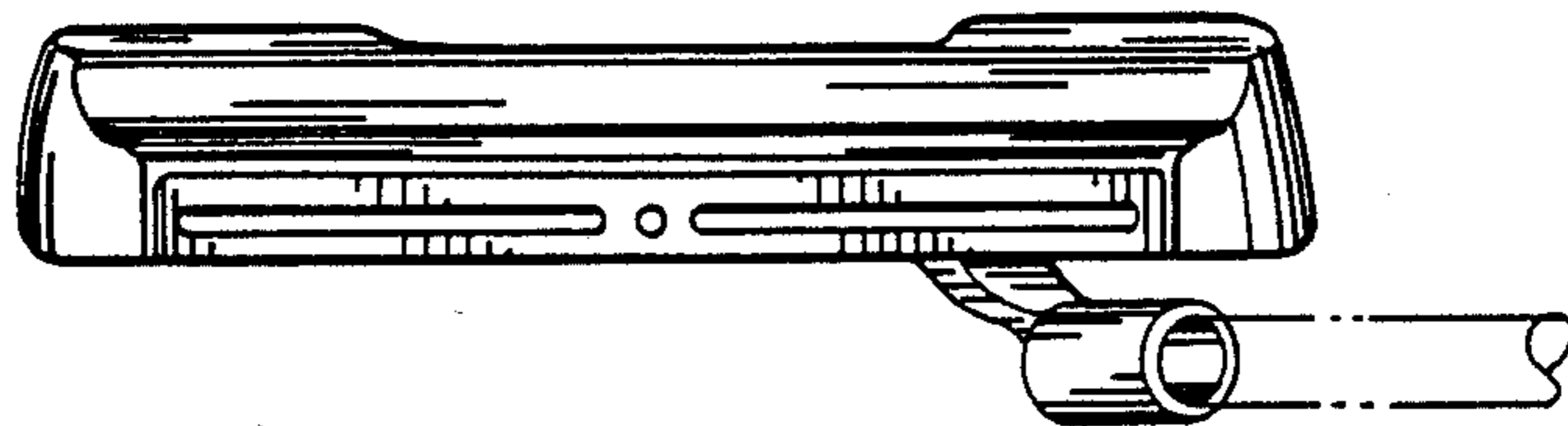


FIG. 2

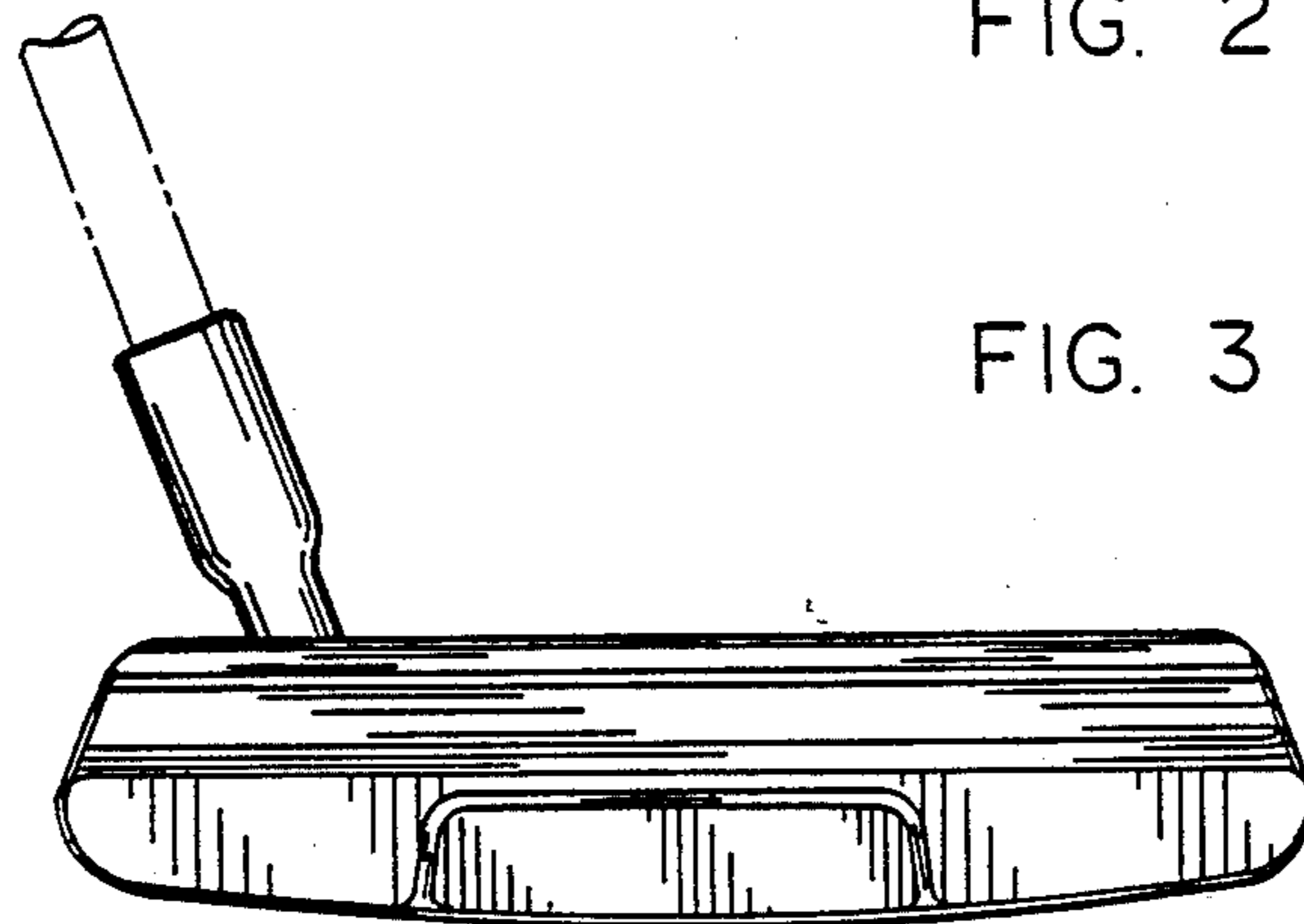


FIG. 3

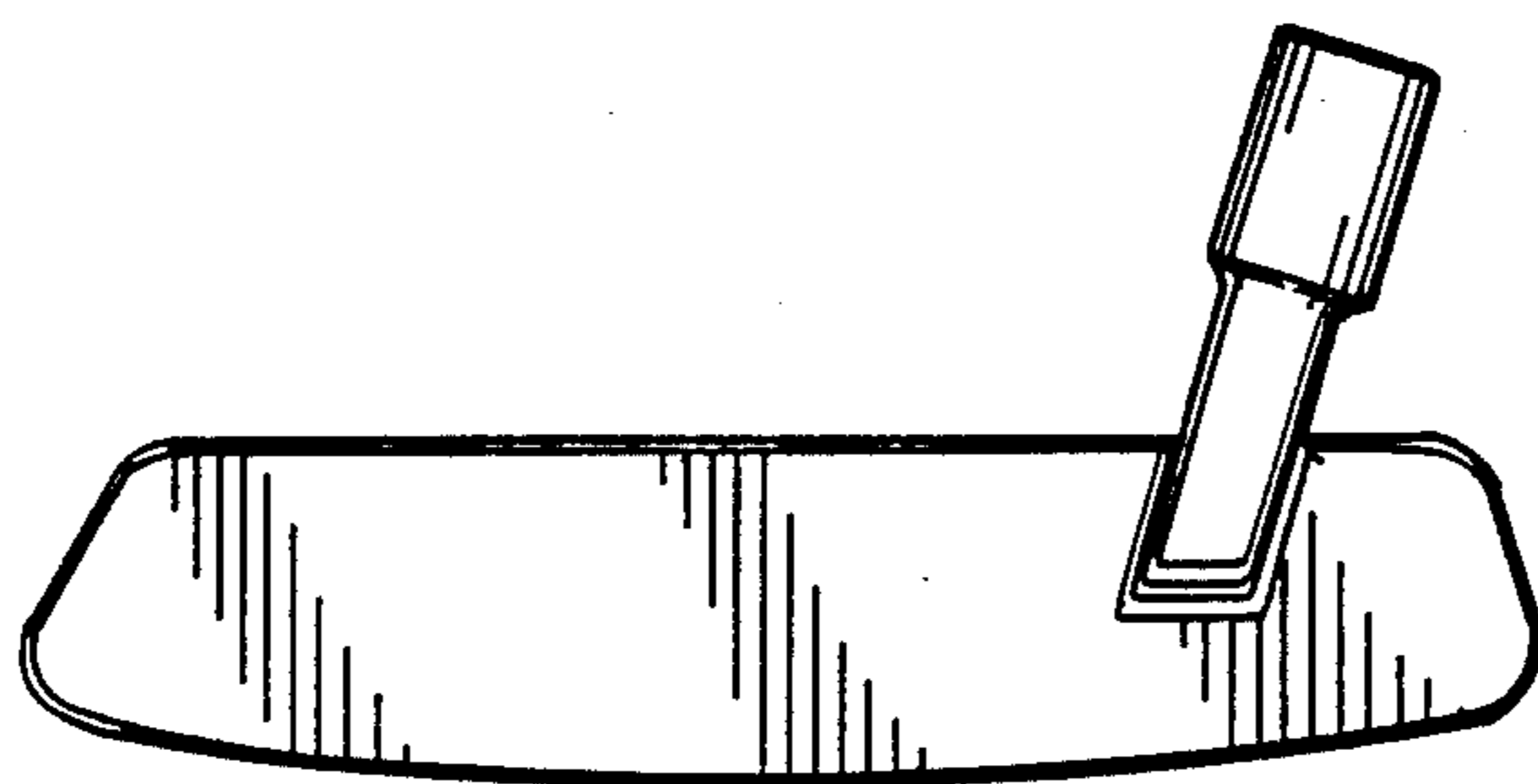


FIG. 4

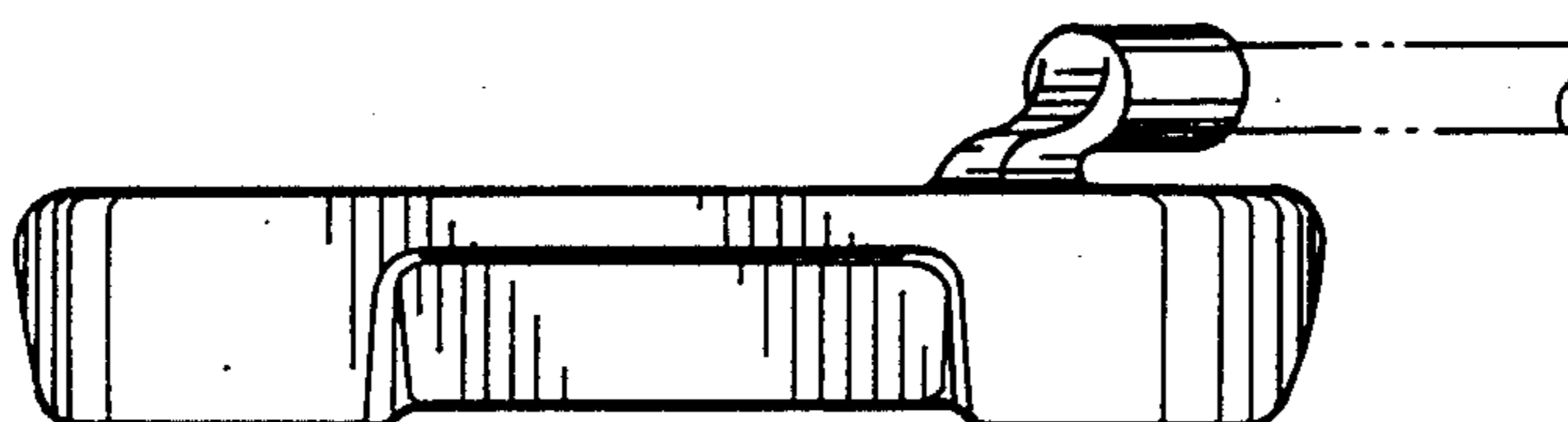


FIG. 5

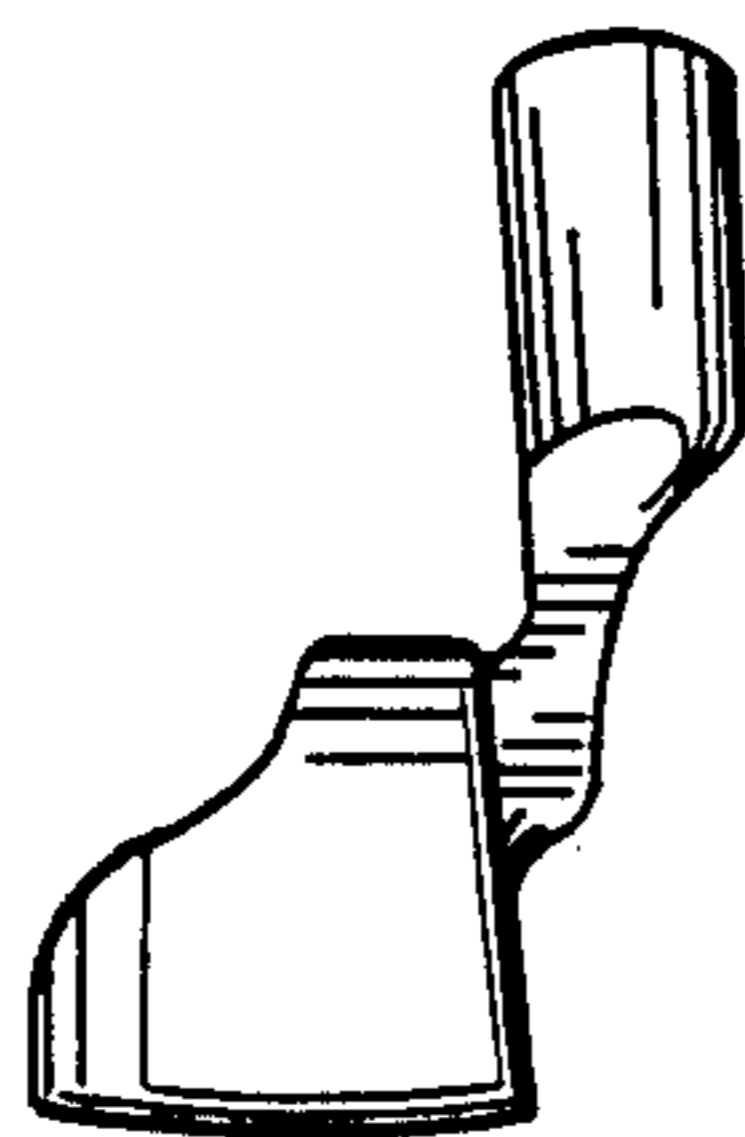


FIG. 6

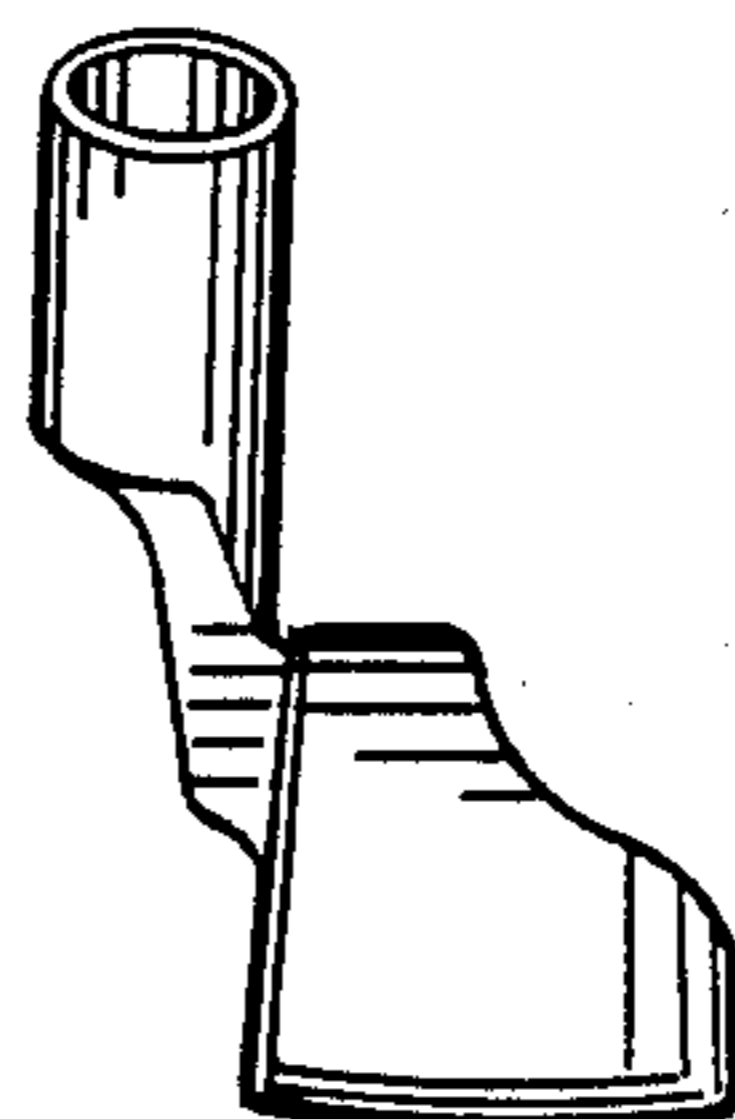


FIG. 7