

[54] **BALL GAME GOAL**

[76] **Inventor: Joseph Kelly, 4253 Brookside Blvd.,
Cleveland, Ohio 44135**

[**] **Term: 14 Years**

[21] **Appl. No.: 915,338**

[22] **Filed: Oct. 3, 1986**

[52] **U.S. Cl. D21/200**

[58] **Field of Search D21/200, 3, 59;
273/123 R, 127 B, 180, 181 F, 398, 399, 400,
181 A, 368, 407, 348, 1.5 R; 40/607**

[56] **References Cited**

U.S. PATENT DOCUMENTS

611,504 9/1898 Perky 273/400
1,211,379 1/1917 Maisch 273/368
1,695,937 12/1928 Welch D21/2
2,130,820 9/1938 Trumbull 273/1.5 R

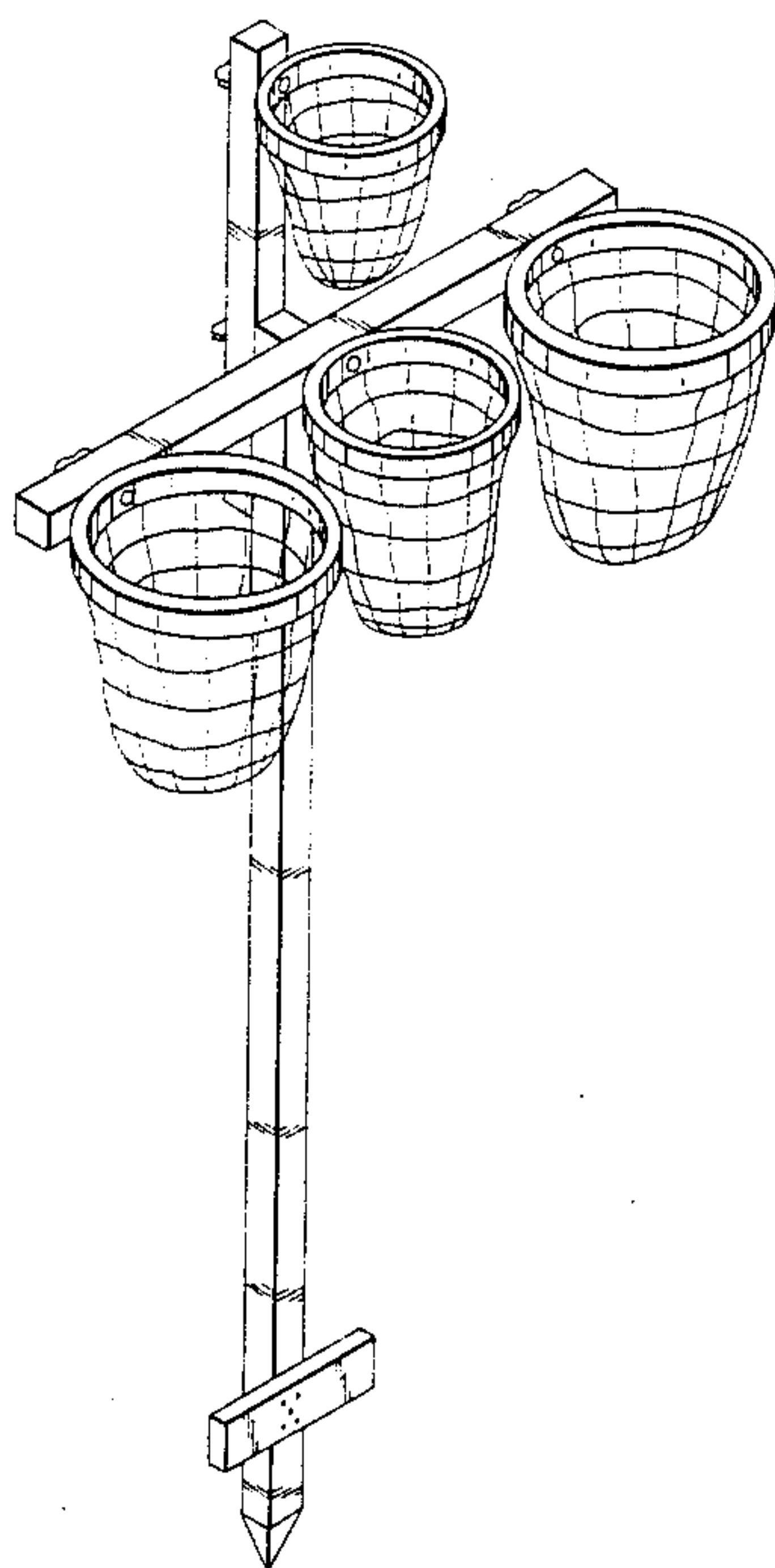
Primary Examiner—Melvin B. Feifer
Assistant Examiner—W. Krawczewicz

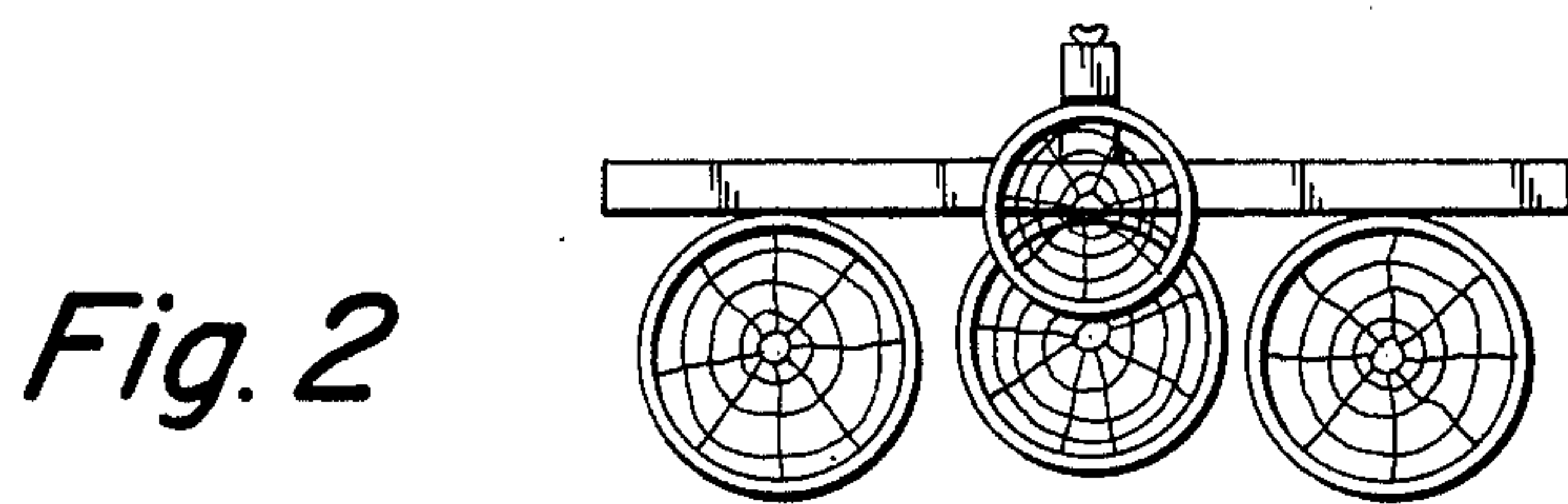
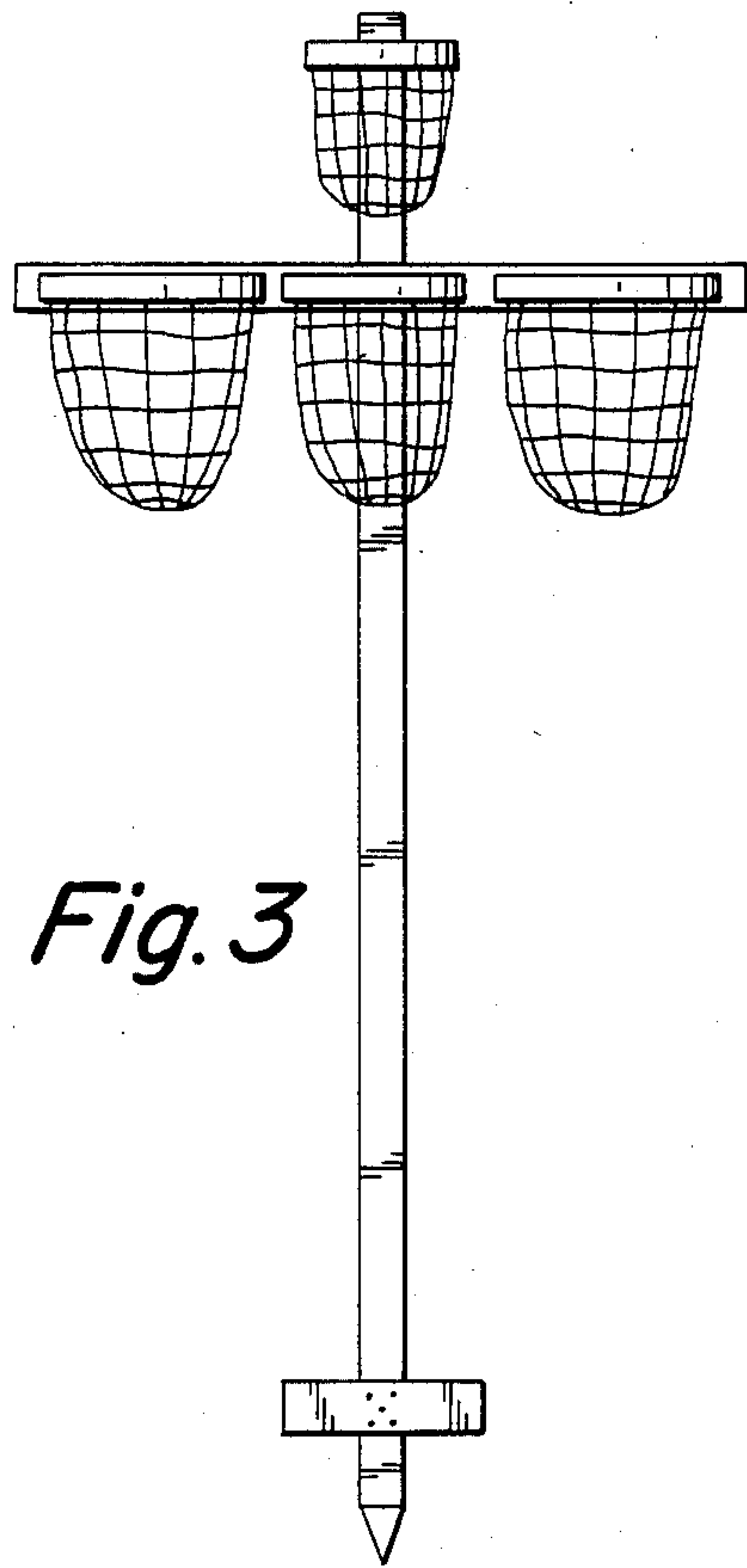
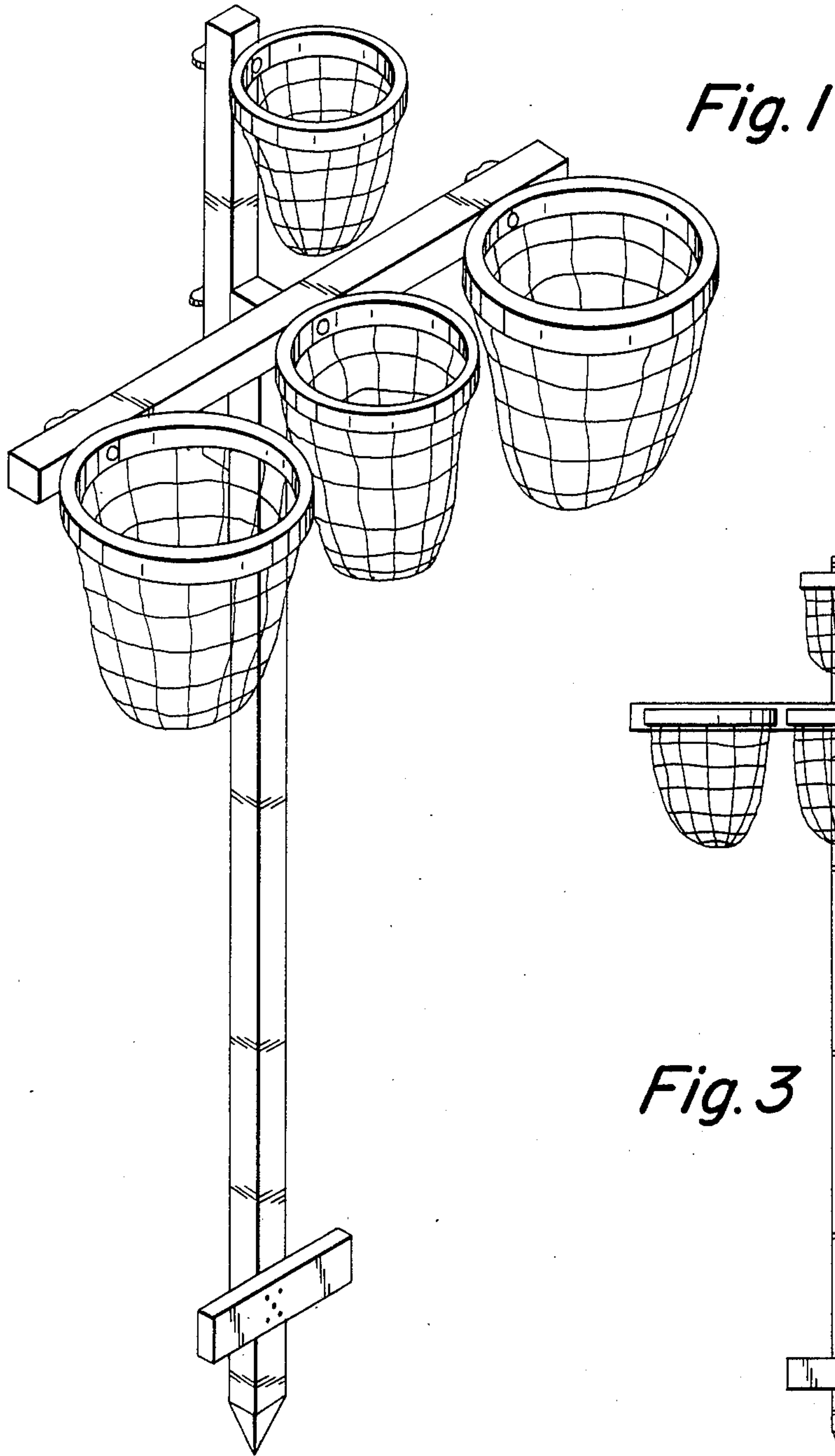
[57] **CLAIM**

The ornamental appearance for a ball game goal, as shown.

DESCRIPTION

FIG. 1 is a perspective view of a ball game goal showing my new design;
FIG. 2 is a reduced top plan view thereof;
FIG. 3 is a front elevational view thereof; and
FIG. 4 is an enlarged fragmentary side view.





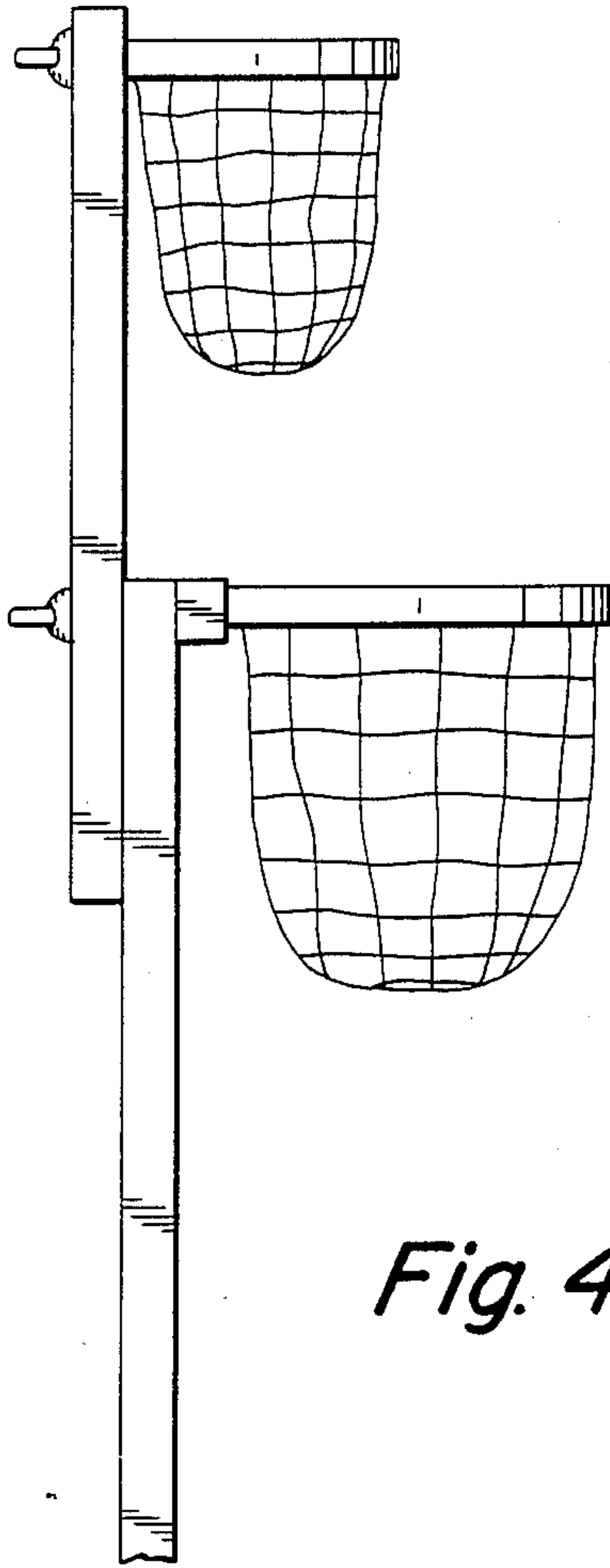


Fig. 4